

US00D602559S

(12) **United States Design Patent**
Zore

(10) **Patent No.:** **US D602,559 S**
(45) **Date of Patent:** **** Oct. 20, 2009**

(54) **NOZZLE**

(75) Inventor: **William Francis Zore**, Friedens, PA
(US)

(73) Assignee: **Robert Bosch GmbH**, Stuttgart (DE)

(**) Term: **14 Years**

(21) Appl. No.: **29/326,969**

(22) Filed: **Oct. 28, 2008**

(51) **LOC (9) Cl.** **23-01**

(52) **U.S. Cl.** **D23/226**

(58) **Field of Classification Search** D23/213,
D23/223, 226; 239/525–526, 556
See application file for complete search history.

(56) **References Cited**

U.S. PATENT DOCUMENTS

2,249,274	A *	7/1941	Faine	239/556
2,552,352	A *	5/1951	Swanson	239/556
3,207,444	A	9/1965	Kelly et al.		
4,470,549	A	9/1984	McMillan et al.		
4,899,940	A	2/1990	Leaver		
4,903,897	A	2/1990	Hayes		
D325,620	S	4/1992	Heren		
D338,706	S	8/1993	Wang		
D340,762	S	10/1993	Wang		
D355,952	S	2/1995	Wang		
D355,953	S	2/1995	Wang		
D359,101	S	6/1995	Kuo		
D372,297	S	7/1996	Wang		

(Continued)

OTHER PUBLICATIONS

www.target.com website page; Published at least as early as Jun. 6, 2008; One page.

www.doitbest.com website page; Published at least as early as Jun. 6, 2008; One page.

Primary Examiner—Robin V Webster

(74) *Attorney, Agent, or Firm*—Magainot, Moore & Beck

(57) **CLAIM**

The ornamental design for a nozzle, as shown and described.

DESCRIPTION

FIG. 1 is a perspective view of a nozzle showing my new design;

FIG. 2 is a left side elevational view showing the design for the nozzle of FIG. 1;

FIG. 3 is a right side elevational view showing the design for the nozzle of FIG. 1;

FIG. 4 is a front elevational view showing the design for the nozzle of FIG. 1;

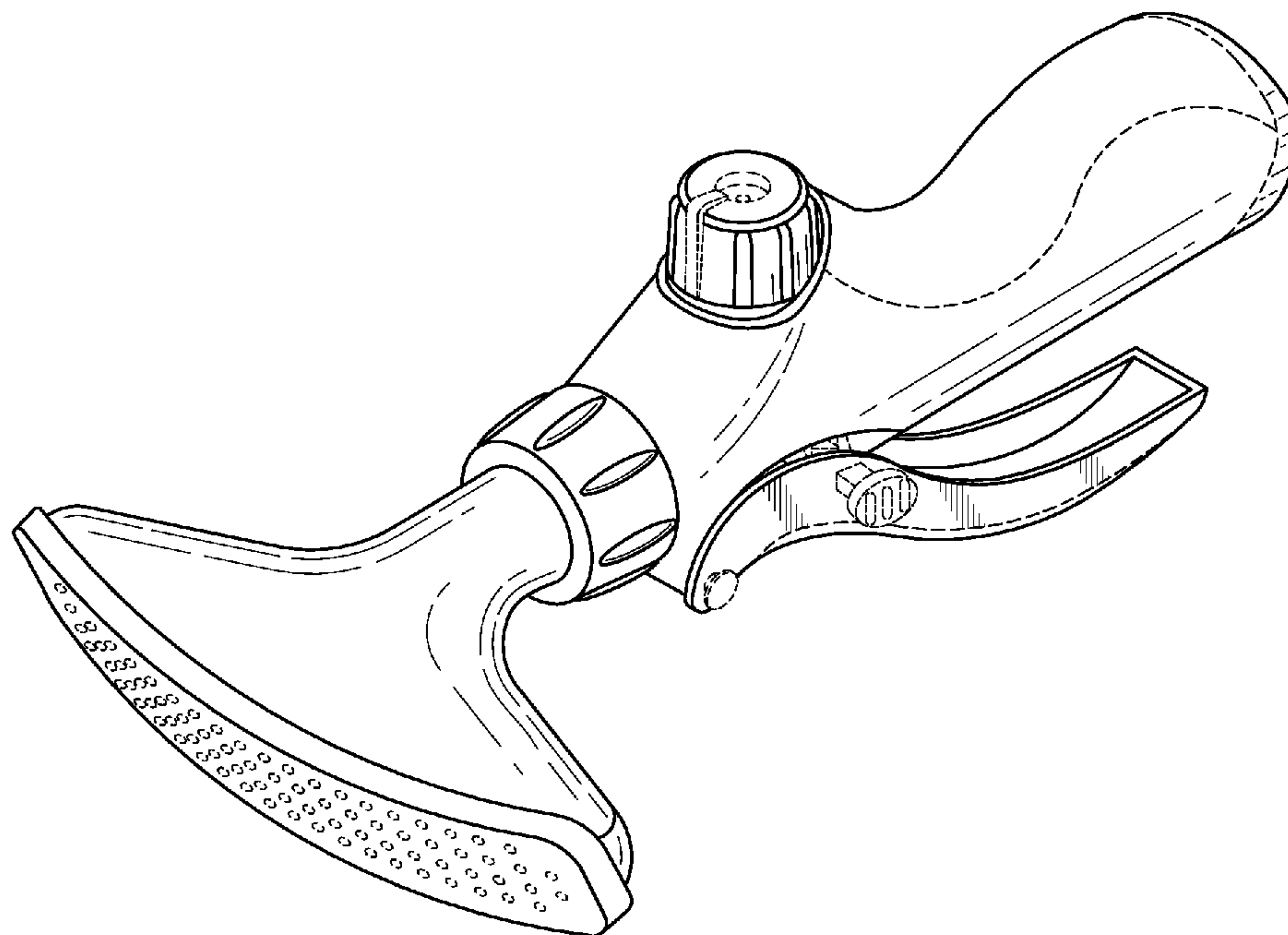
FIG. 5 is a rear elevational view showing the design for the nozzle of FIG. 1;

FIG. 6 is a top elevational view showing the design for the nozzle of FIG. 1; and,

FIG. 7 is a bottom elevational view showing the design for the nozzle of FIG. 1.

The broken line showing of portions of the nozzle is included for illustrative purposes only and forms no part of the claimed design.

1 Claim, 7 Drawing Sheets



US D602,559 S

Page 2

U.S. PATENT DOCUMENTS

D373,814 S	9/1996	Wang	D431,069 S	9/2000	Heren	
D384,398 S	9/1997	Wang	D432,628 S	10/2000	Chao	
D385,948 S	11/1997	Guo	D432,629 S	* 10/2000	Jacobs D23/226
D390,633 S	2/1998	Guo	D433,099 S	10/2000	Chao	
D392,719 S	3/1998	Guo	D437,391 S	2/2001	Chao	
D394,305 S	5/1998	Kuo	D445,873 S	7/2001	Wang	
D407,140 S	3/1999	Heren	D446,282 S	8/2001	Wang	
D408,068 S	4/1999	Hui-Chen	D447,790 S	9/2001	Heren et al.	
D408,496 S	4/1999	Wang	D451,982 S	12/2001	Chao	
D408,497 S	4/1999	Wang	D459,435 S	6/2002	Fauquet	
D409,717 S	5/1999	Heren et al.	D461,225 S	8/2002	Chen	
D409,720 S	5/1999	Guo	D472,605 S	4/2003	Nien	
D410,730 S	6/1999	Wang	D479,302 S	9/2003	Chen	
D410,994 S	6/1999	Hui-Chen	D492,979 S	7/2004	Chen	
D412,356 S	7/1999	Hui-Chen	D496,430 S	9/2004	Kuo	
D415,249 S	10/1999	Wang	D515,662 S	2/2006	Chen	
D415,557 S	10/1999	Kuo	D557,378 S	12/2007	Chen	
D427,660 S	7/2000	Casica et al.	D557,379 S	12/2007	Chen	
			D565,700 S	4/2008	Chen	

* cited by examiner

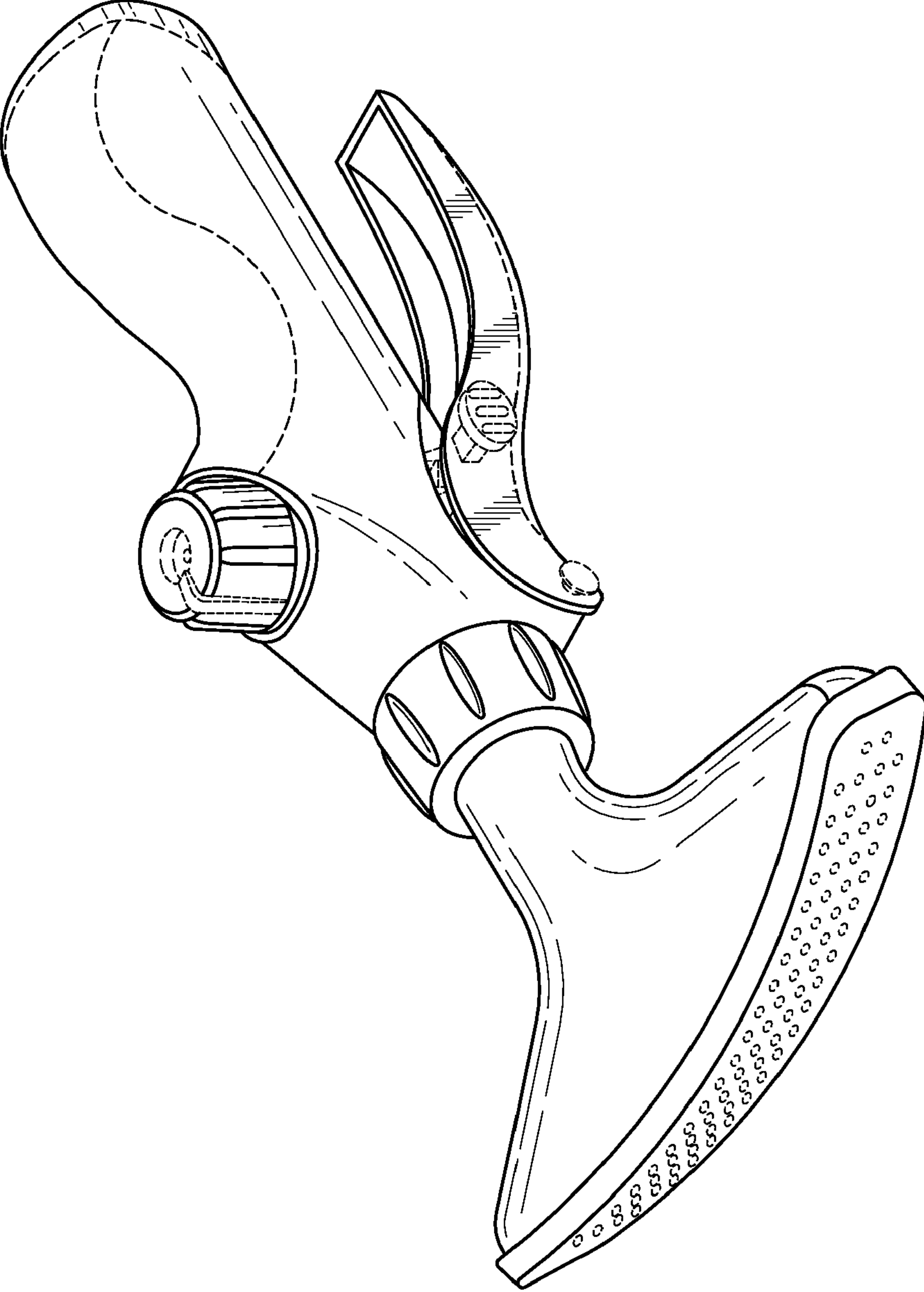


Fig. 1

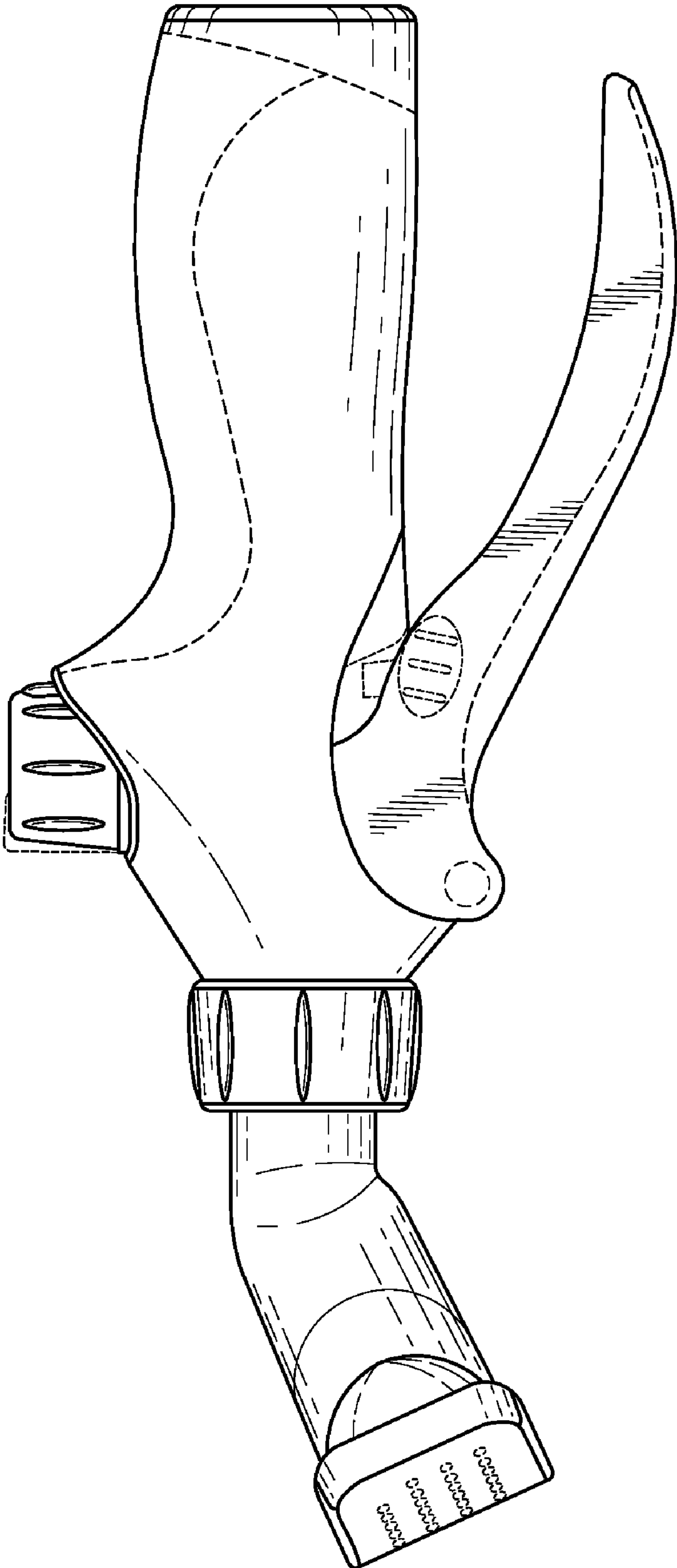


Fig. 2

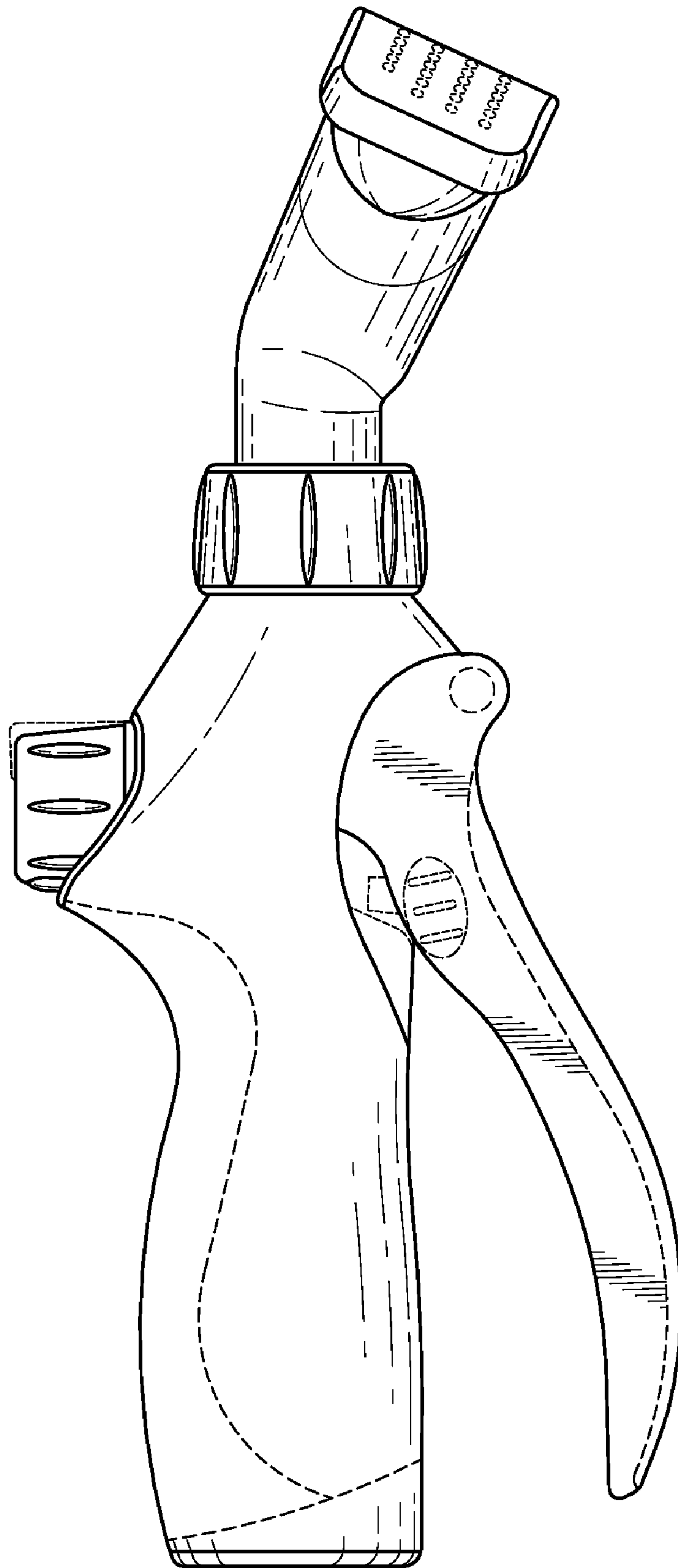


Fig. 3

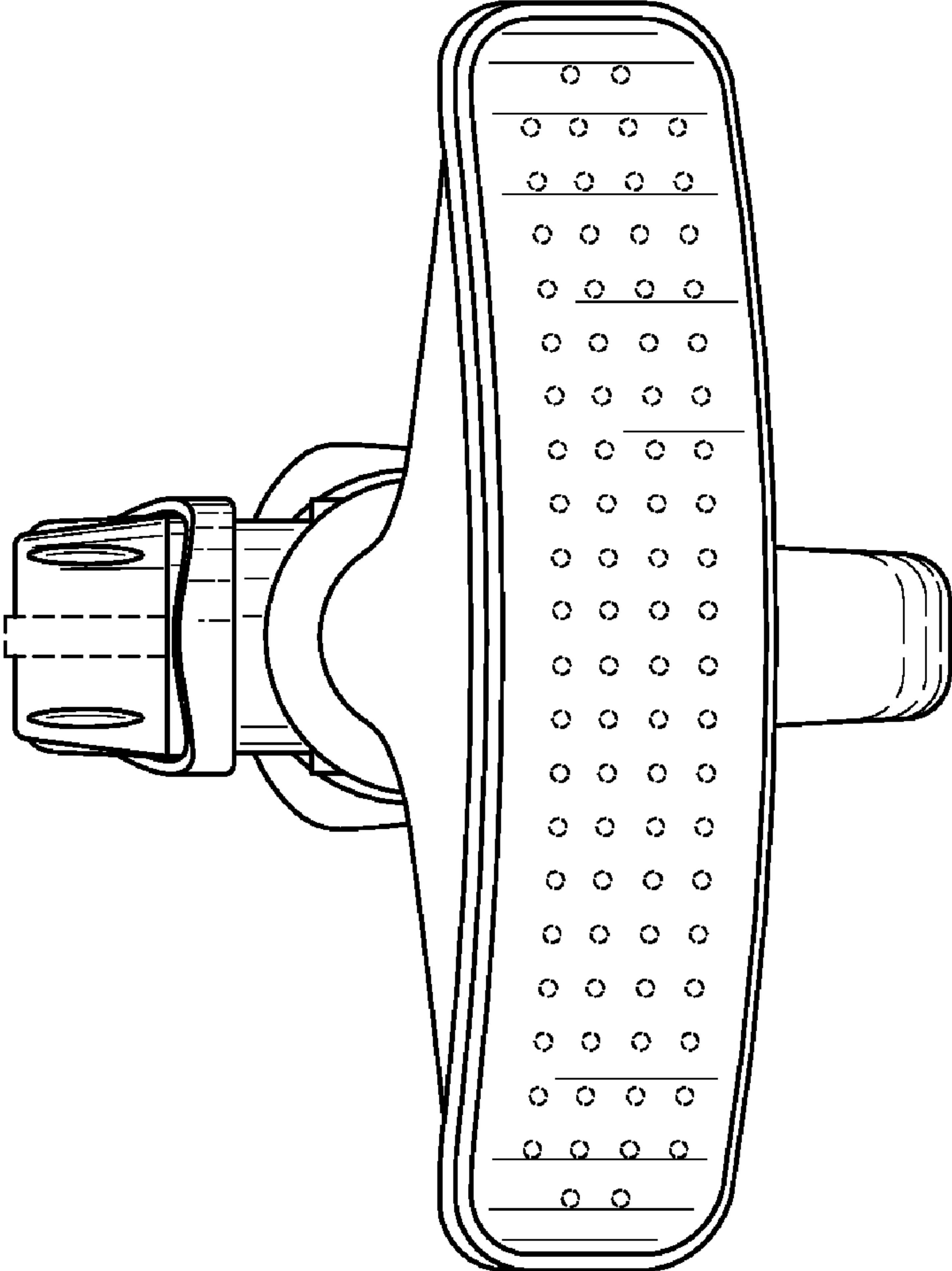


Fig. 4

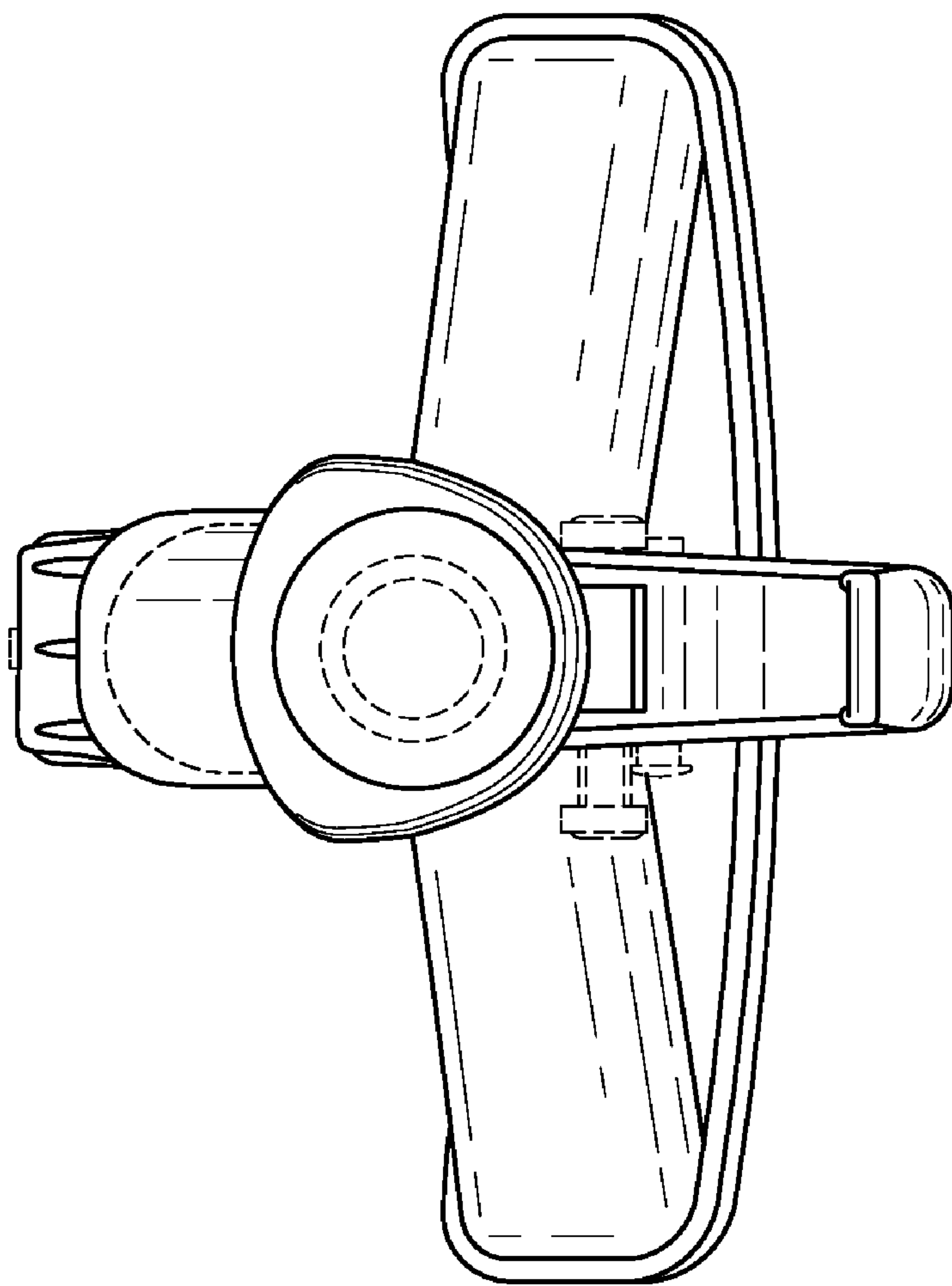


Fig. 5

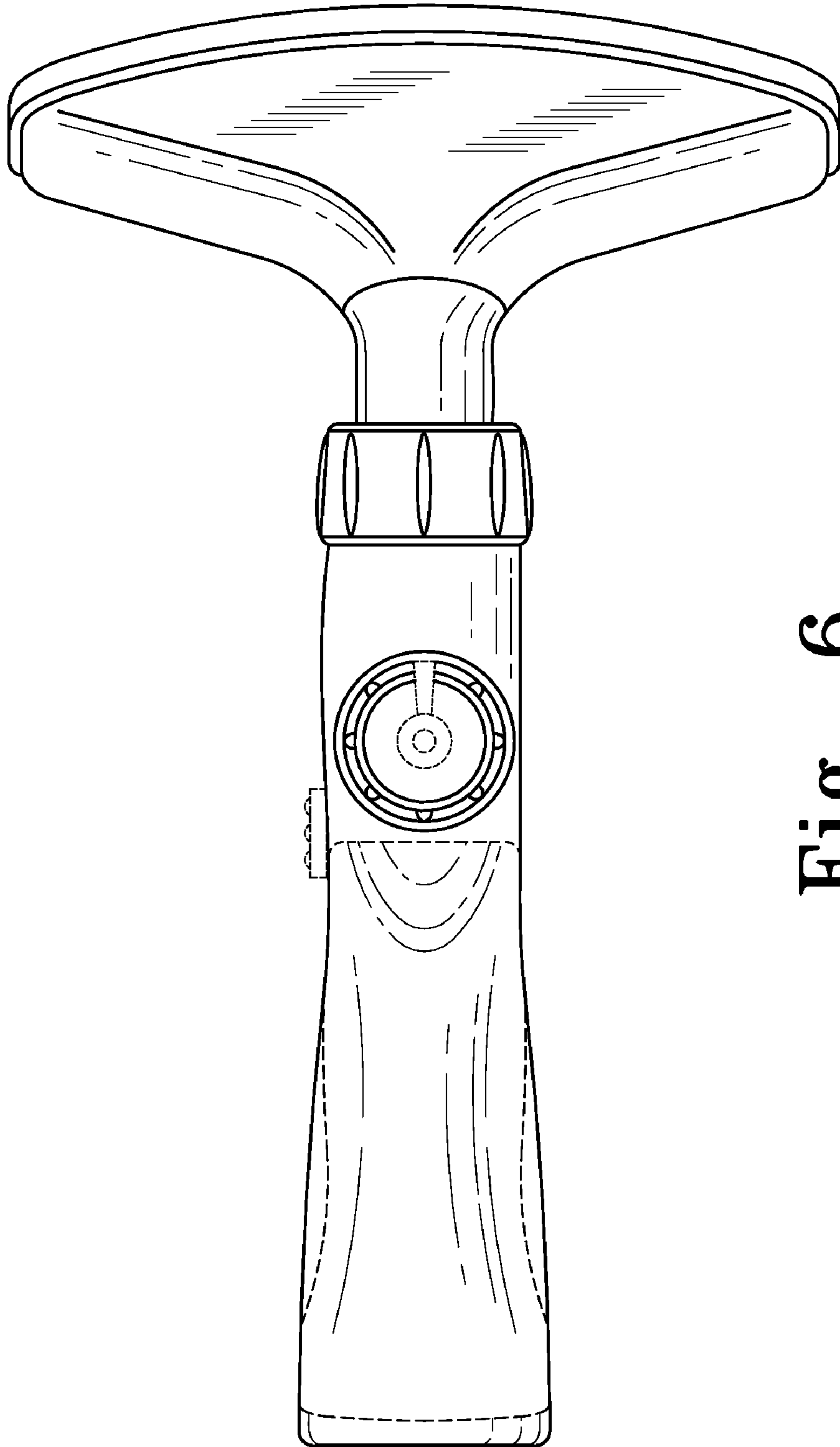


Fig. 6

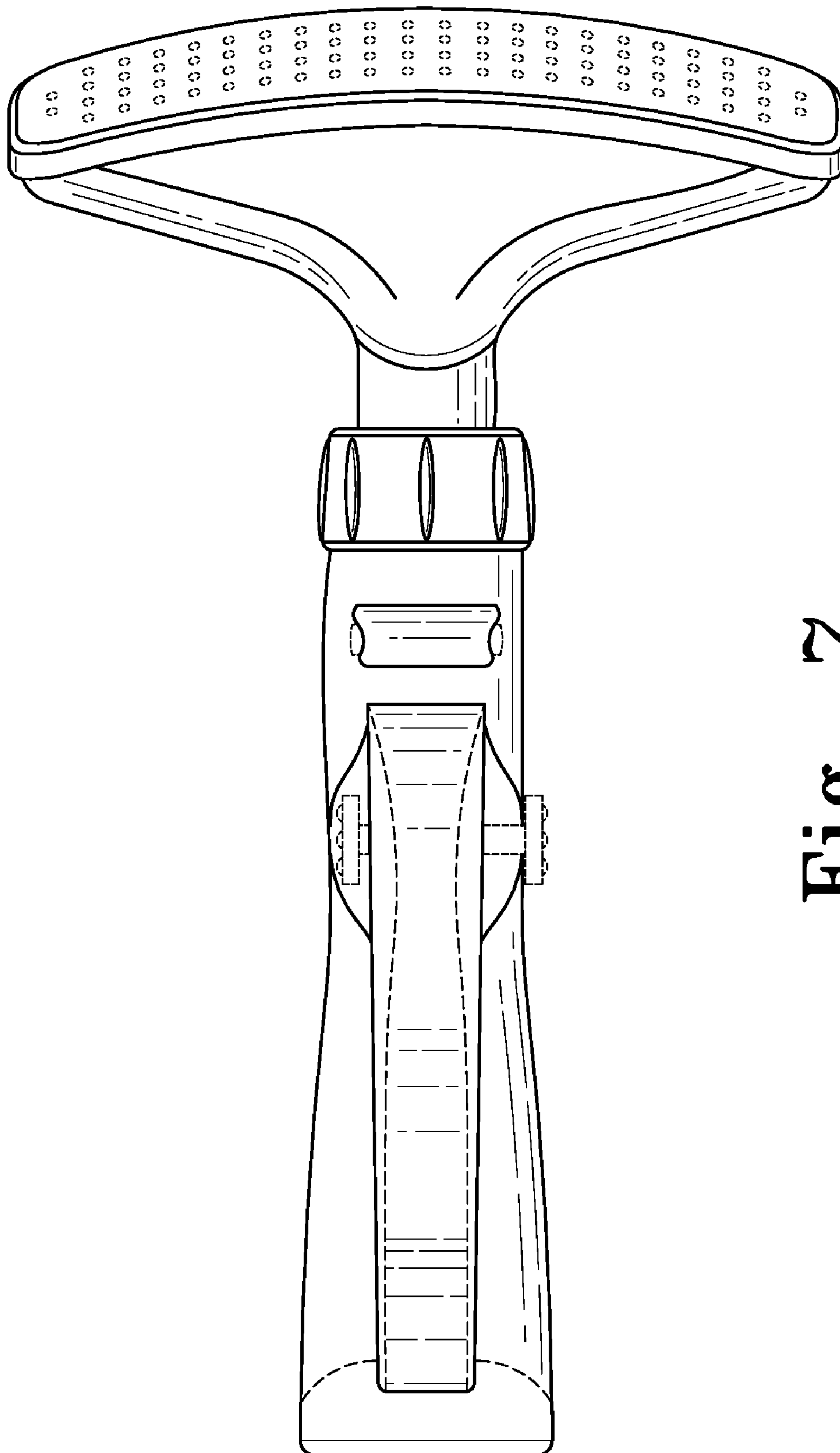


Fig. 7