



US00D602558S

(12) **United States Design Patent**
Beams et al.

(10) **Patent No.:** **US D602,558 S**

(45) **Date of Patent:** **** Oct. 20, 2009**

(54) **FILTER APPARATUS**

(75) Inventors: **Thomas Jay Beams**, Mount Upton, NY (US); **Connie Marie Head**, Burlington Flats, NY (US); **David Alan Kenney**, Lunenburg, MA (US); **Joseph Christopher Wall**, Southborough, MA (US)

(73) Assignee: **Corning Incorporated**, Corning, NY (US)

(**) Term: **14 Years**

(21) Appl. No.: **29/328,319**

(22) Filed: **Nov. 21, 2008**

(51) **LOC (9) Cl.** **23-01**

(52) **U.S. Cl.** **D23/209; D7/700; D23/200**

(58) **Field of Classification Search** D23/200, D23/207, 209; D7/700, 400; D10/46.2; D24/162; 210/86, 94; 222/189.1, 189.06
See application file for complete search history.

(56) **References Cited**

U.S. PATENT DOCUMENTS

2,835,392	A *	5/1958	Hamilton	210/477
3,132,768	A *	5/1964	Orr	222/50
D310,123	S *	8/1990	Carlson	D24/162
D370,051	S *	5/1996	Samson et al.	D23/209
D463,027	S *	9/2002	Drocourt et al.	D24/162
6,536,687	B1 *	3/2003	Navis et al.	239/345

OTHER PUBLICATIONS

http://www.vwrsp.com/catalog/product/index.cgi?catalog_number=73520-982&inE=1&highlight=73520-982.
http://www.vwrsp.com/catalog/product/index.cgi?catalog_number=28199-698&inE=1&highlight=28199-698.
http://www.fishersci.com/wps/portal/PRODUCTDETAIL?productId=606099&catalogId=29104&pos=24&catCode=RE_SC&fromCat=yes&keepSessionSearchOutPut=true&brCategoryId=55980&hlpi=y&fromSearch=.

* cited by examiner

Primary Examiner—Robin V Webster

(74) *Attorney, Agent, or Firm*—Susan S. Wilks

(57) **CLAIM**

The ornamental design for a filter apparatus, as shown and described.

DESCRIPTION

FIG. 1 is a perspective view of the claimed filter apparatus.

FIG. 2 is a side view of the claimed apparatus showing volumetric markings.

FIG. 3 is a side view of the claimed apparatus.

FIG. 4 is a top view of the filter apparatus; and,

FIG. 5 is a bottom plan view of the filter apparatus.

The broken line showing in FIGS. 4 and 5 is included for the purpose of illustrating and forms no part of the claimed design.

1 Claim, 3 Drawing Sheets

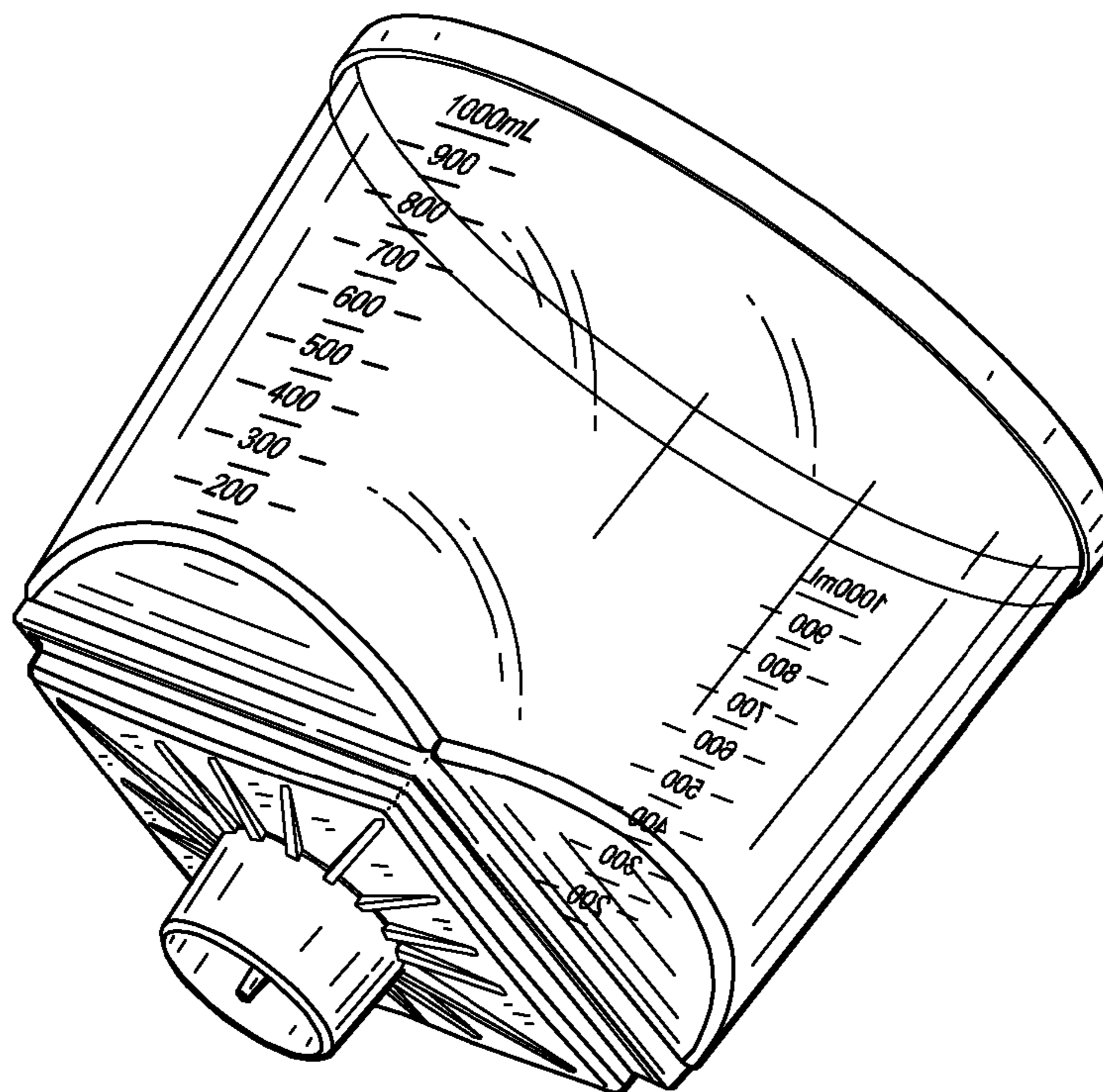


FIG. 1

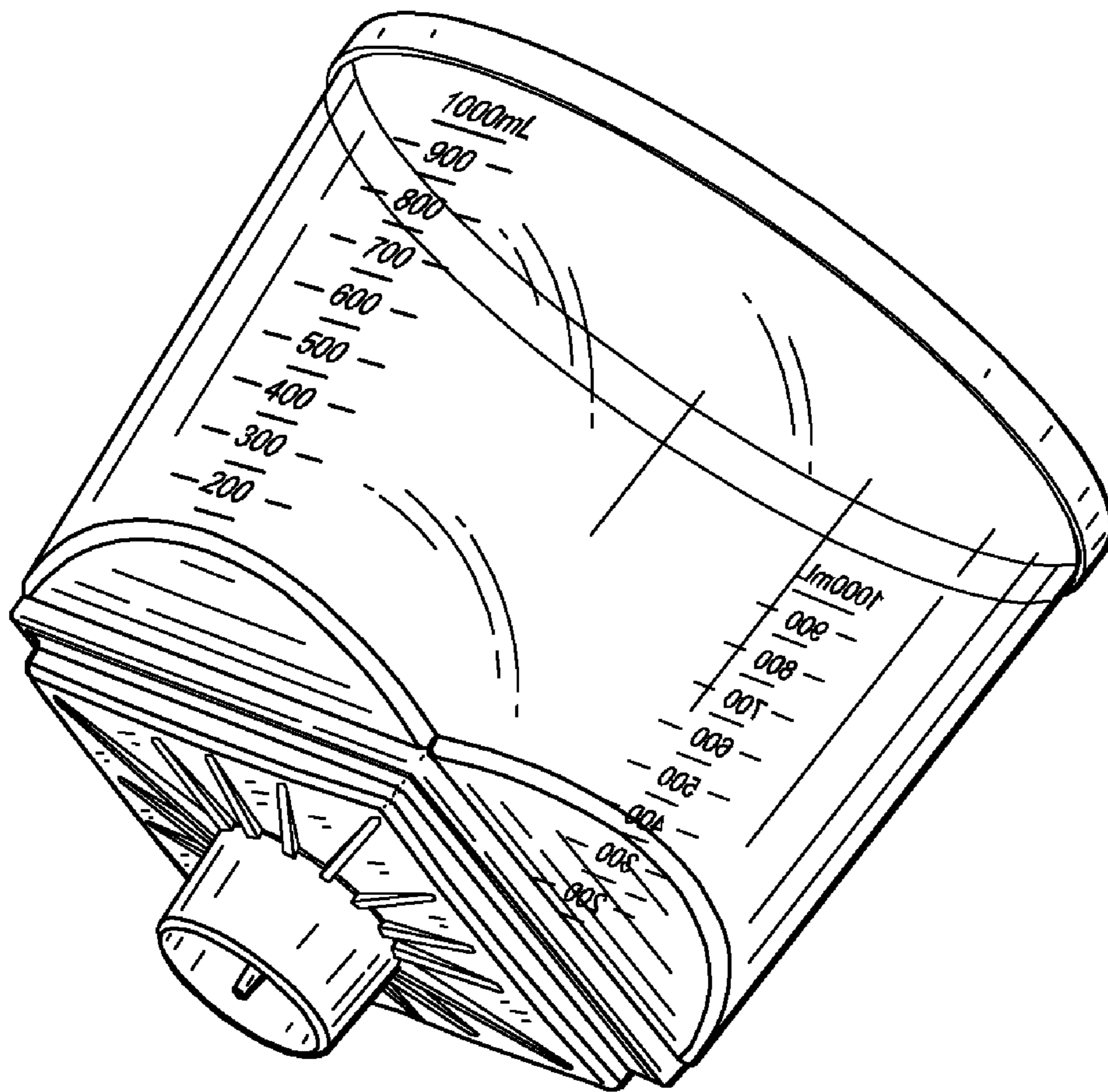


FIG. 2

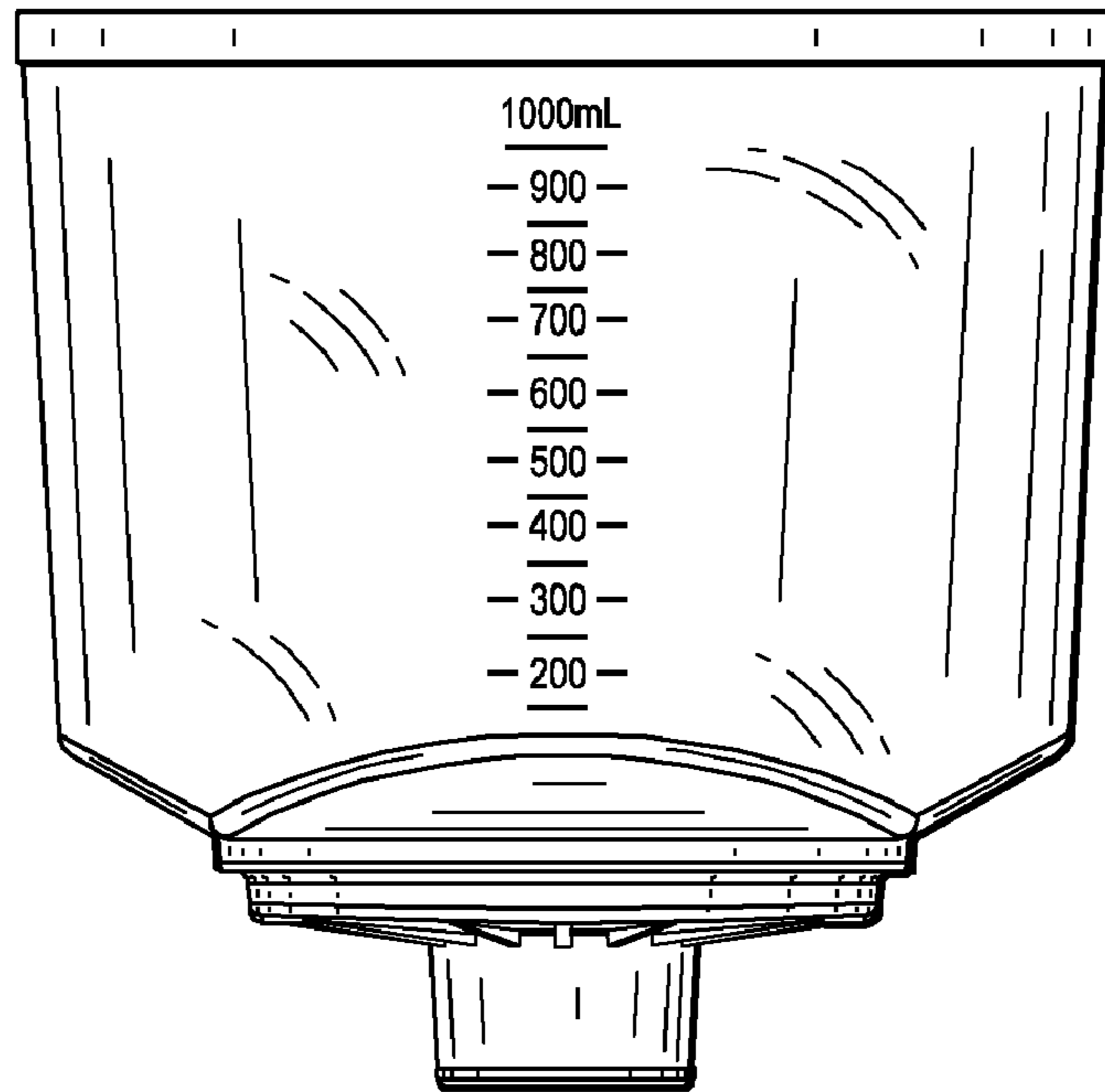


FIG. 3

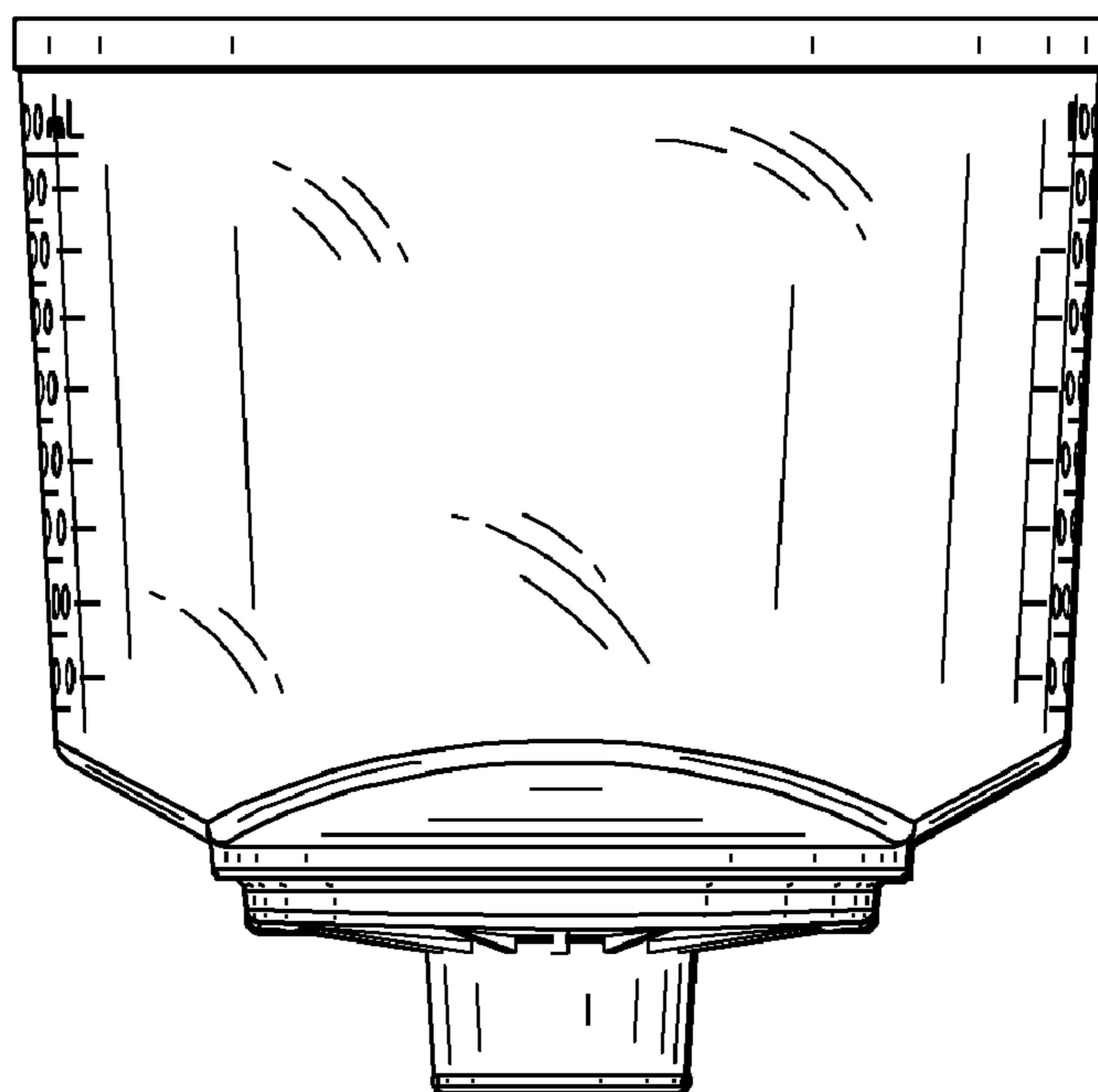


FIG. 4

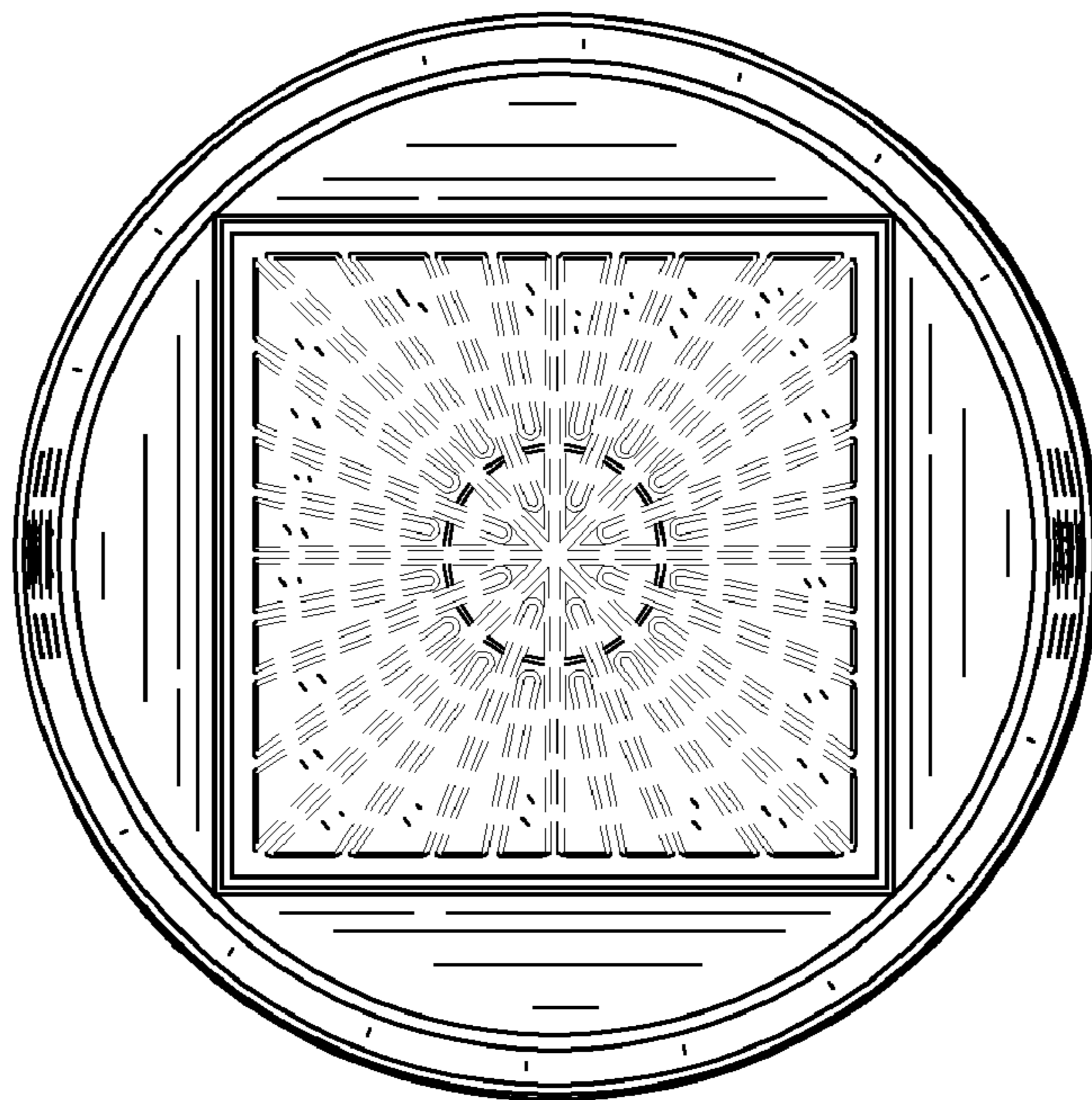


FIG. 5

