



US00D602555S

(12) **United States Design Patent**
Fitzpatrick et al.

(10) **Patent No.:** **US D602,555 S**
(45) **Date of Patent:** **** Oct. 20, 2009**

(54) **STOCK ADAPTER FOR A RIFLE**

2003/0029070 A1* 2/2003 Dowding 42/75.03

(75) Inventors: **Richard M. Fitzpatrick**, Longmont, CO
(US); **Michael Mayberry**, Denver, CO
(US)

FOREIGN PATENT DOCUMENTS

WO WO 2005083349 A1 * 9/2005

* cited by examiner

(73) Assignee: **Magpul Industries Corp.**, Erie, CO
(US)

Primary Examiner—T. Chase Nelson

Assistant Examiner—Michael A Pratt

(74) *Attorney, Agent, or Firm*—Geoffrey E. Dobbin

(**) Term: **14 Years**

(57) **CLAIM**

(21) Appl. No.: **29/302,222**

An ornamental design for a stock adapter for a rifle, as shown and described.

(22) Filed: **Jan. 11, 2008**

(51) **LOC (9) Cl.** **22-01**

DESCRIPTION

(52) **U.S. Cl.** **D22/109**

The adapter is a specialized connecting piece to attach a stock to a given rifle.

(58) **Field of Classification Search** D22/100,
D22/108, 109, 110, 199; 42/11, 72, 75.02,
42/71.01, 85, 90, 106, 114, 113, 116, 119,
42/124, 125, 127, 145, 128; 248/201, 205.1
See application file for complete search history.

FIG. 1 is a right perspective view of the stock adapter.

FIG. 2 is a top plan view of the stock adapter.

FIG. 3 is a rear plan view of the stock adapter.

FIG. 4 is a right plan view of the stock adapter.

FIG. 5 is a left perspective view of the stock adapter.

FIG. 6 is a bottom plan view of the stock adapter.

FIG. 7 is a front plan view of the stock adapter; and,

FIG. 8 is a left plan view of the stock adapter.

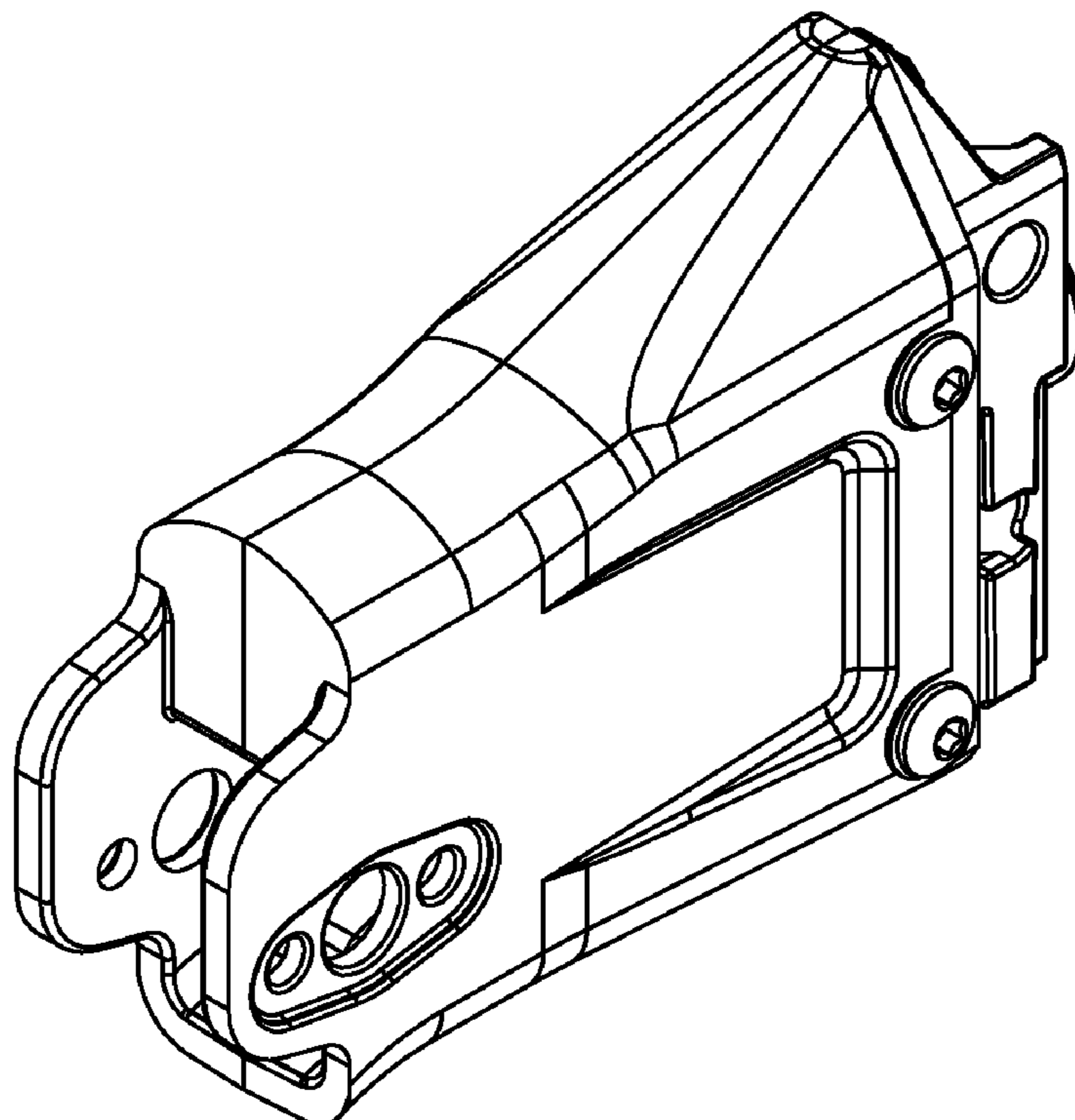
The broken line showing of interior structure in FIGS. 3 and 7 are included for the purpose of illustrating environment and forms no part of the claimed design.

(56) **References Cited**

U.S. PATENT DOCUMENTS

1,755,034	A *	4/1930	Stange	42/75.03
4,519,156	A *	5/1985	Shaw	42/77
5,173,564	A *	12/1992	Hammond, Jr.	42/75.03
6,374,528	B1 *	4/2002	Davis et al.	42/71.01
6,427,372	B1 *	8/2002	Howard et al.	42/71.01
6,591,533	B2 *	7/2003	Wygant	42/72
6,651,371	B2 *	11/2003	Fitzpatrick et al.	42/72
6,662,485	B2 *	12/2003	Kay	42/75.03

1 Claim, 2 Drawing Sheets



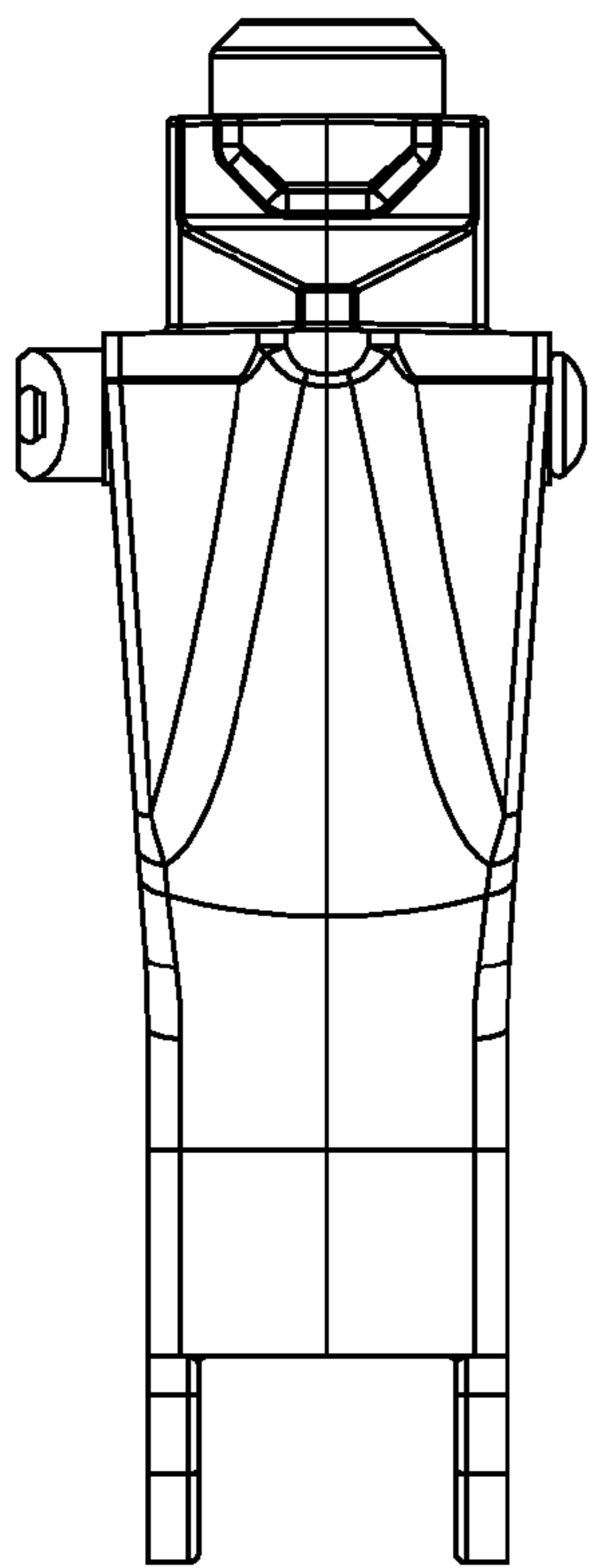


FIG. 2

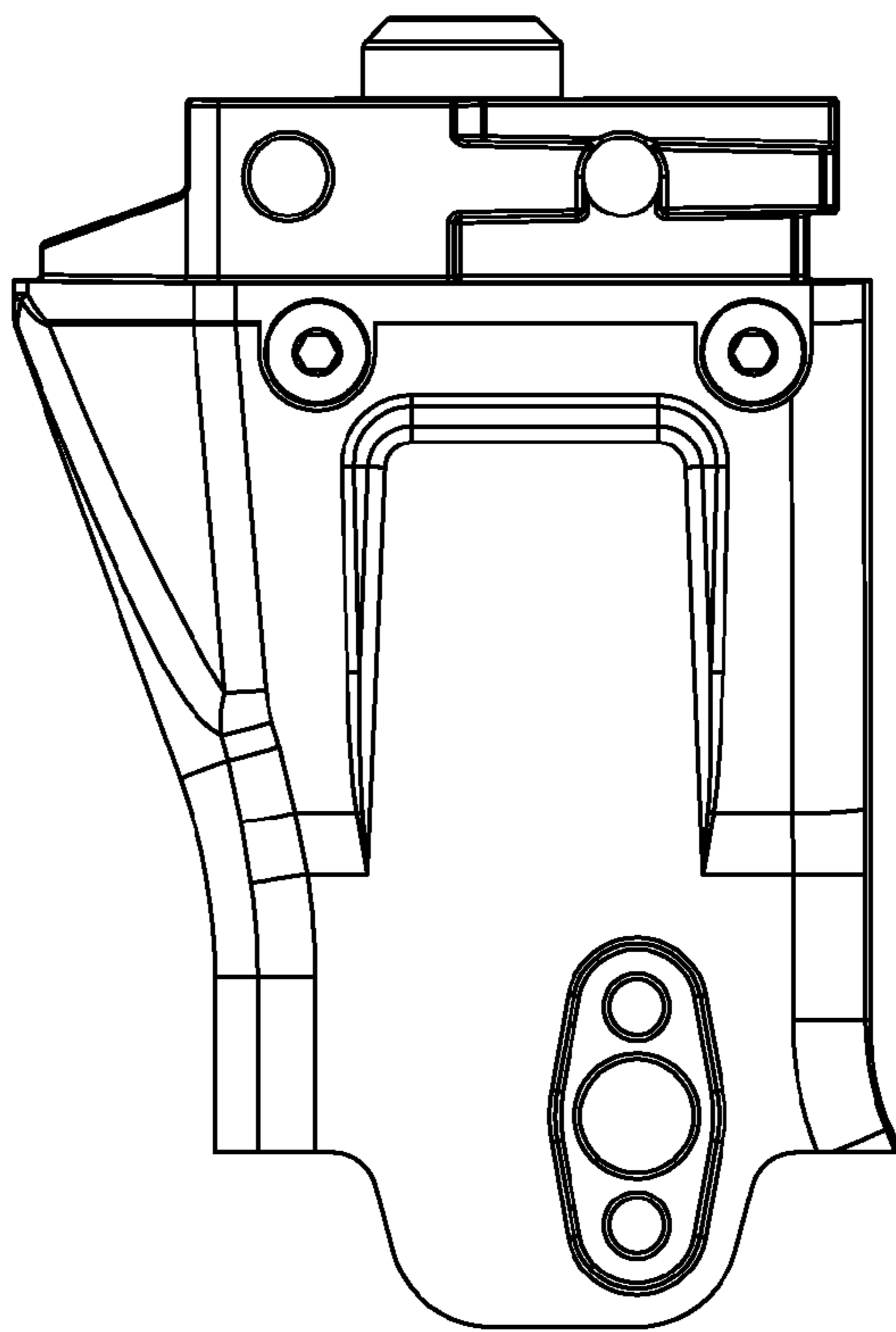


FIG. 4

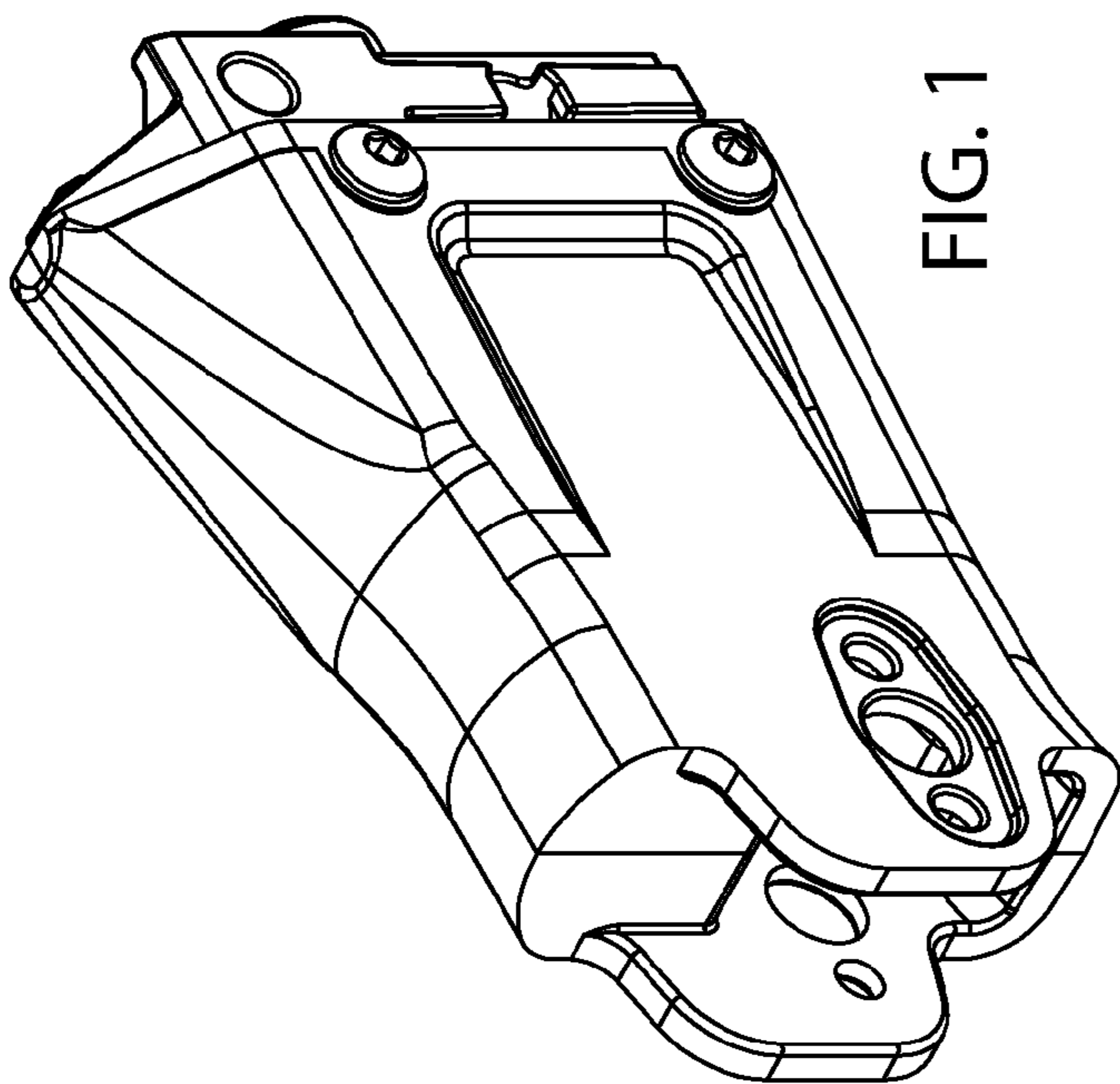


FIG. 1

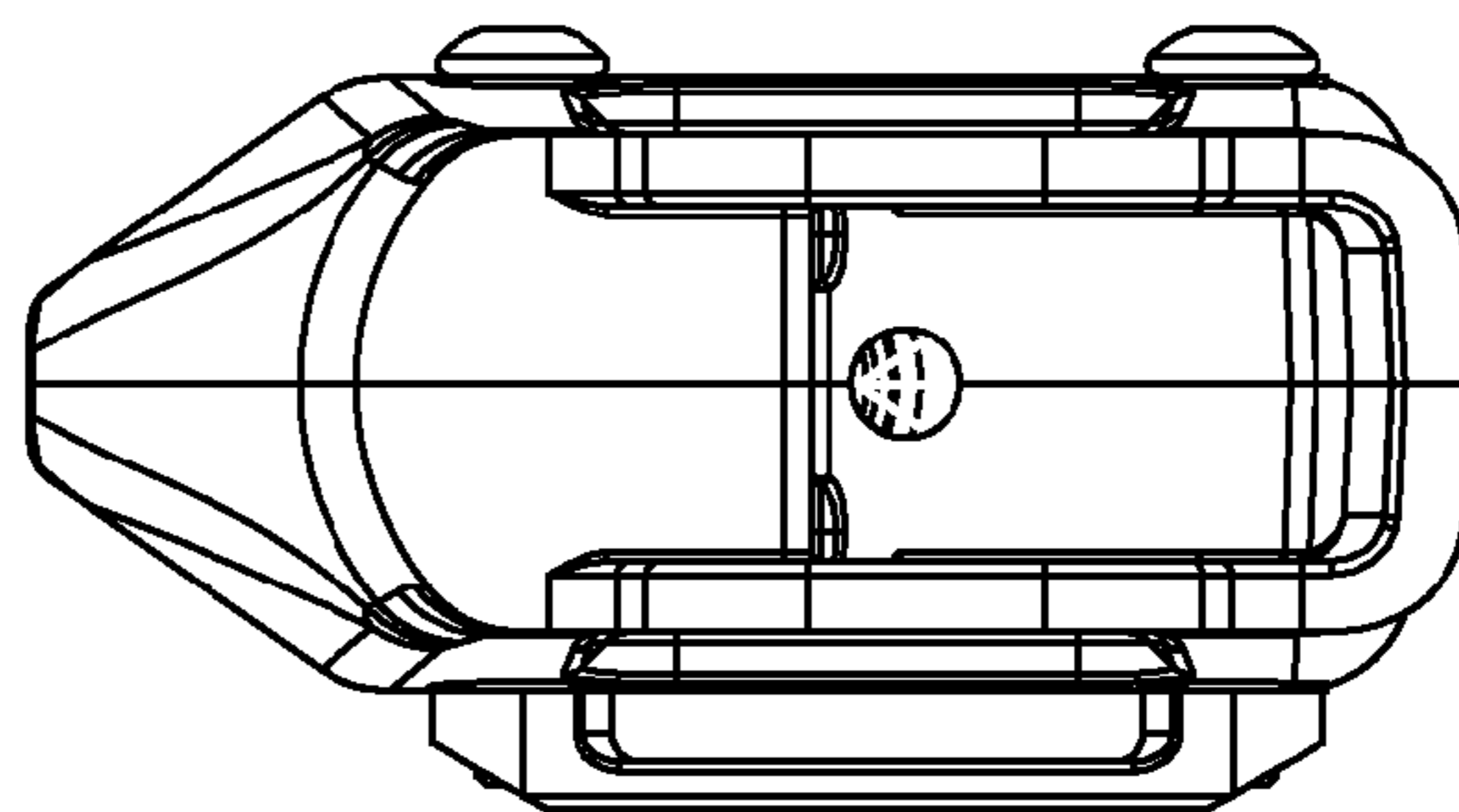


FIG. 3

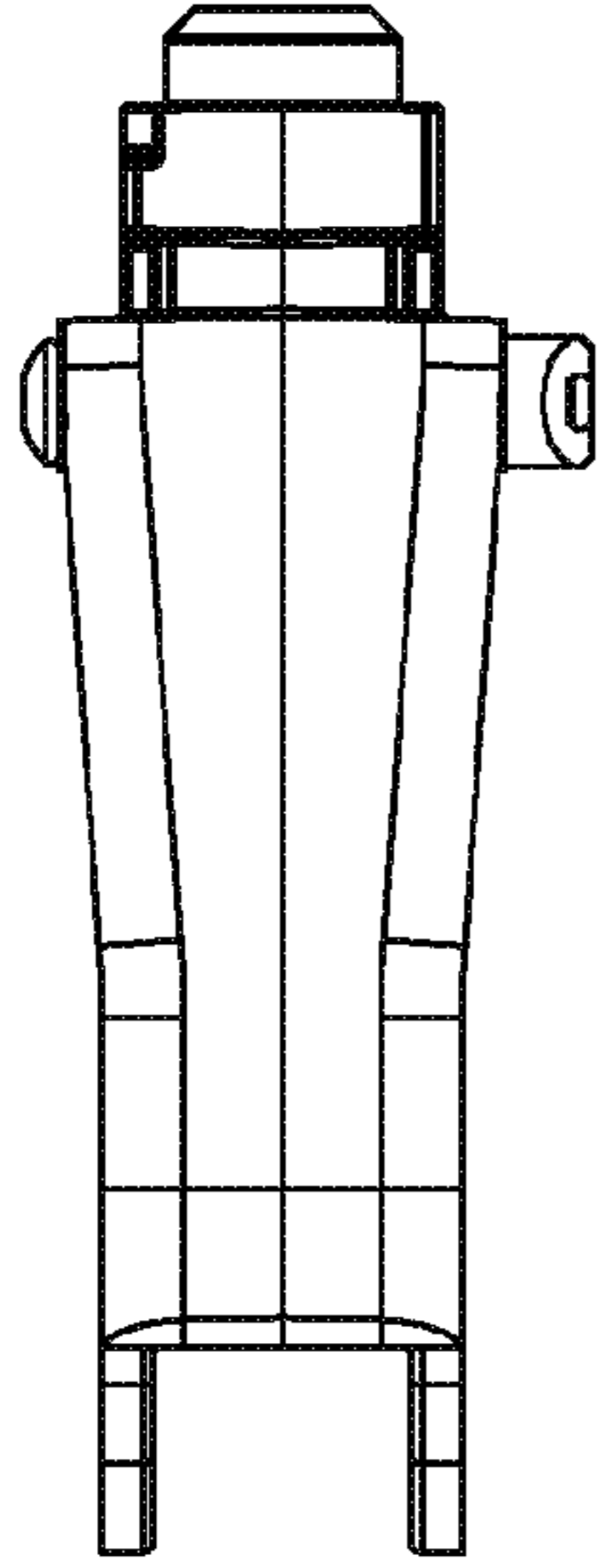


FIG. 6

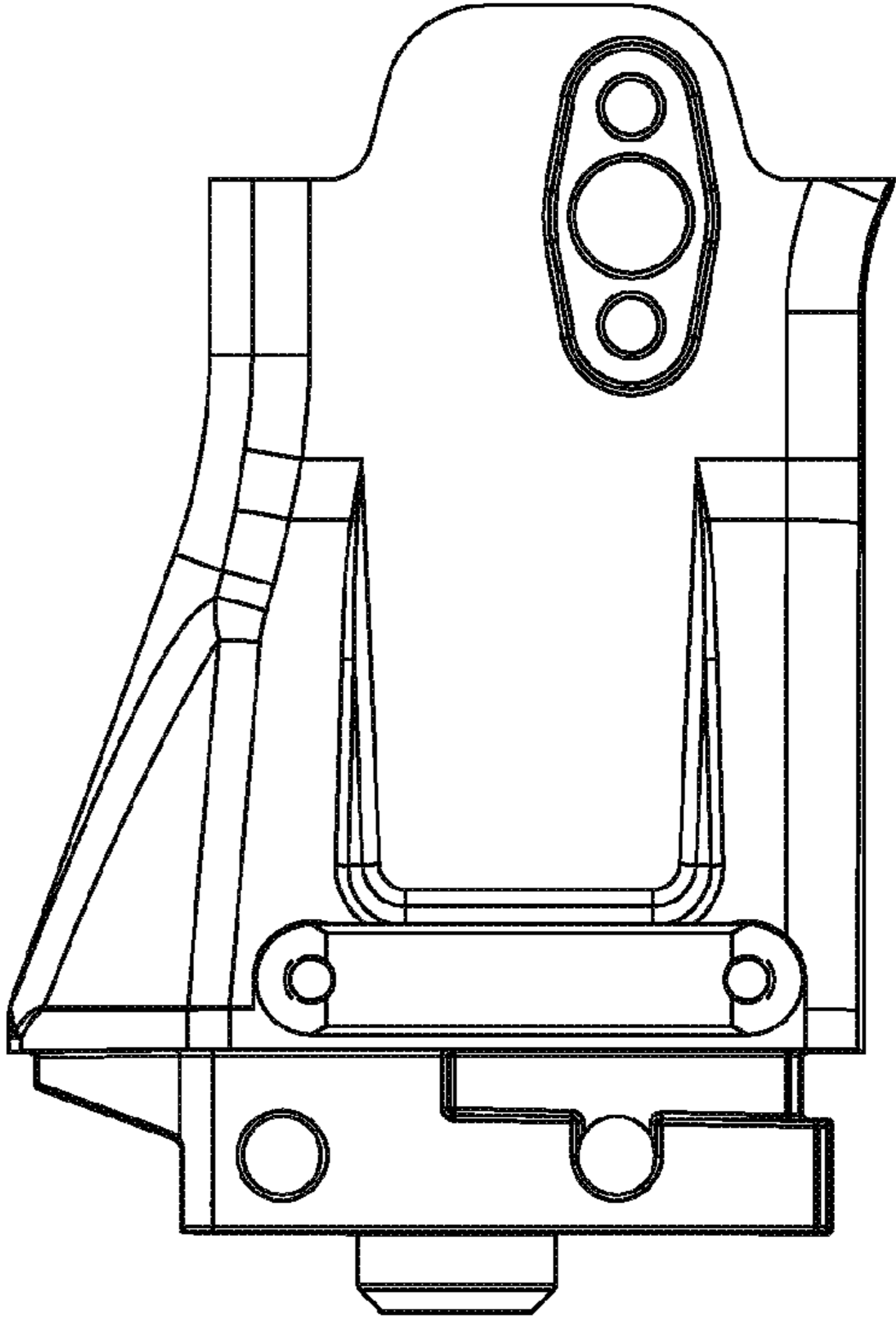


FIG. 8

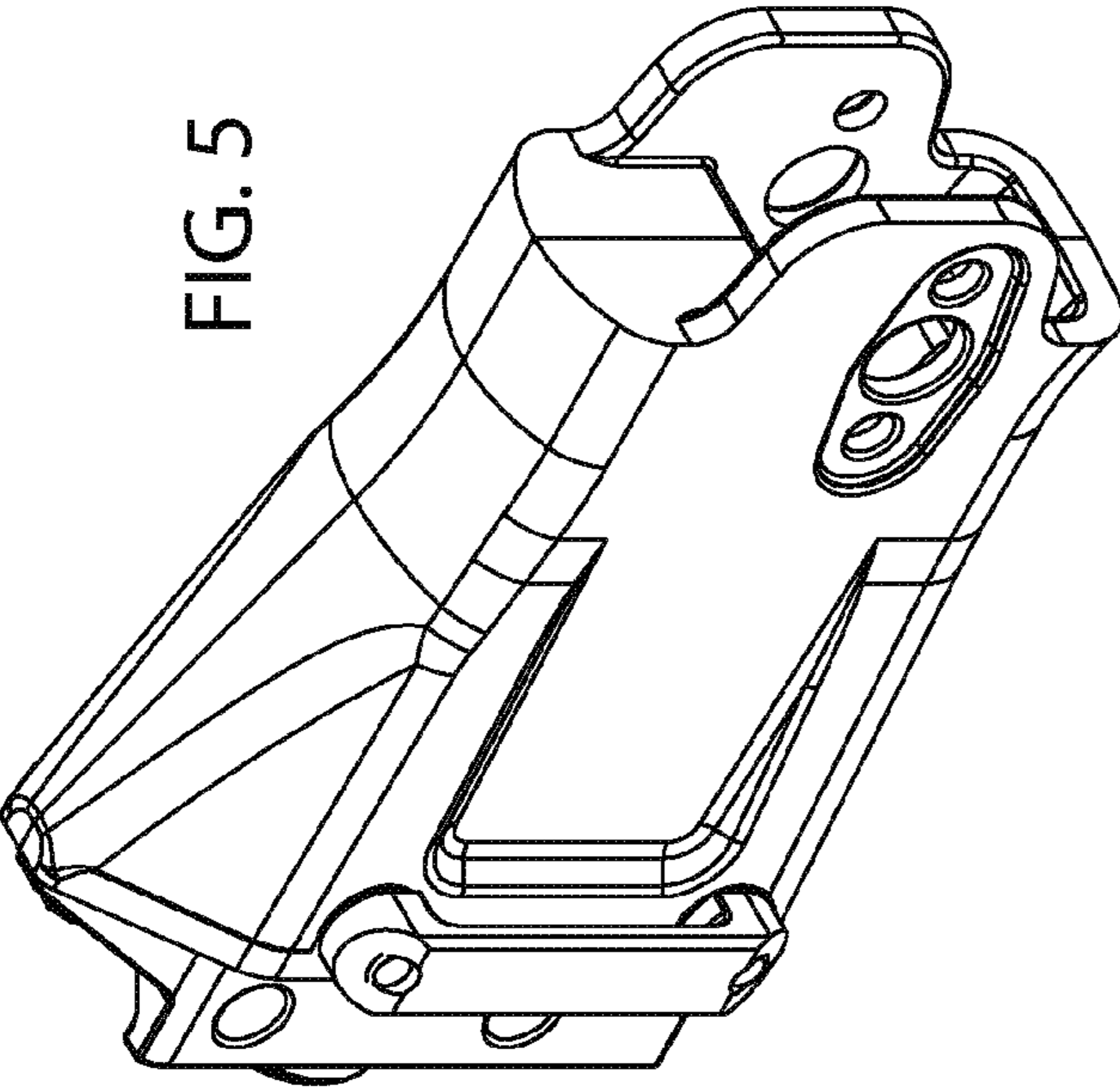


FIG. 5

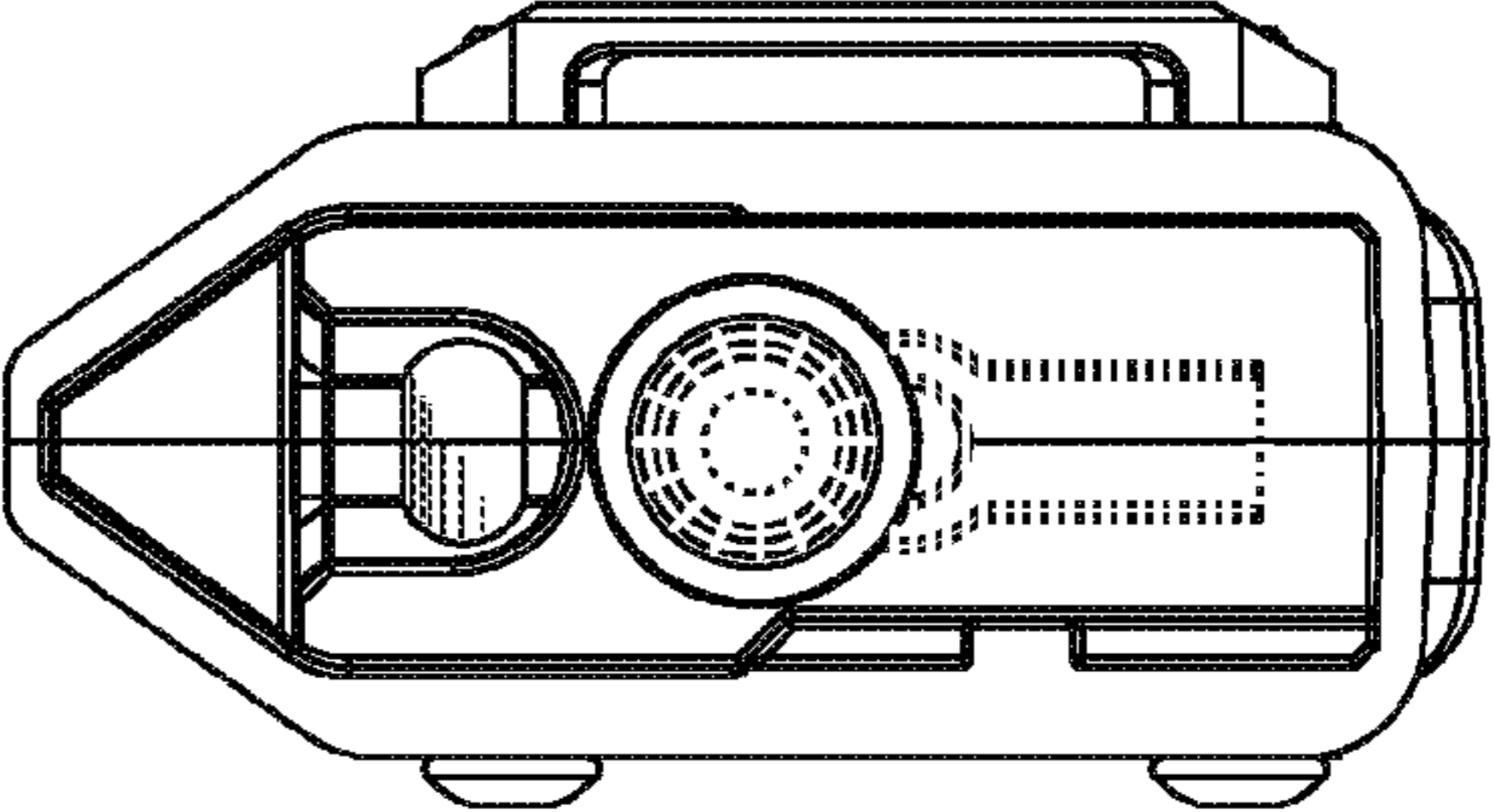


FIG. 7