



US00D602554S

(12) **United States Design Patent**
Kearl et al.

(10) **Patent No.:** **US D602,554 S**

(45) **Date of Patent:** **** Oct. 20, 2009**

(54) **PLAYGROUND EQUIPMENT**

OTHER PUBLICATIONS

(75) Inventors: **Jacob Kearl**, Plain City, UT (US);
Stephen F. Nye, Syracuse, UT (US)

U.S. Appl. No. 11/447,334, filed Jun. 6, 2006.

(Continued)

(73) Assignee: **Lifetime Products, Inc.**, Clearfield, UT
(US)

Primary Examiner—Mitchell I Siegel

(74) *Attorney, Agent, or Firm*—Workman Nydegger

(**) Term: **14 Years**

(57) **CLAIM**

(21) Appl. No.: **29/318,957**

The ornamental design for playground equipment, as shown and described.

(22) Filed: **May 31, 2008**

(51) **LOC (9) Cl.** **21-03**

(52) **U.S. Cl.** **D21/827**

(58) **Field of Classification Search** D21/811,
D21/814, 818–827; 482/35, 36; 472/116,
472/117

See application file for complete search history.

DESCRIPTION

FIG. 1 is a perspective view of an embodiment of the playground equipment;

FIG. 2 is a right side view of the playground equipment shown in FIG. 1, with the left side view being a mirror image thereof;

FIG. 3 is a top view of the playground equipment shown in FIG. 1;

FIG. 4 is a front view of the playground equipment shown in FIG. 1;

FIG. 5 is a rear view of the playground equipment shown in FIG. 1; and,

FIG. 6 is a bottom view of the playground equipment shown in FIG. 1.

The broken lines shown in the figures are for illustrative purposes only and form no part of the claimed design.

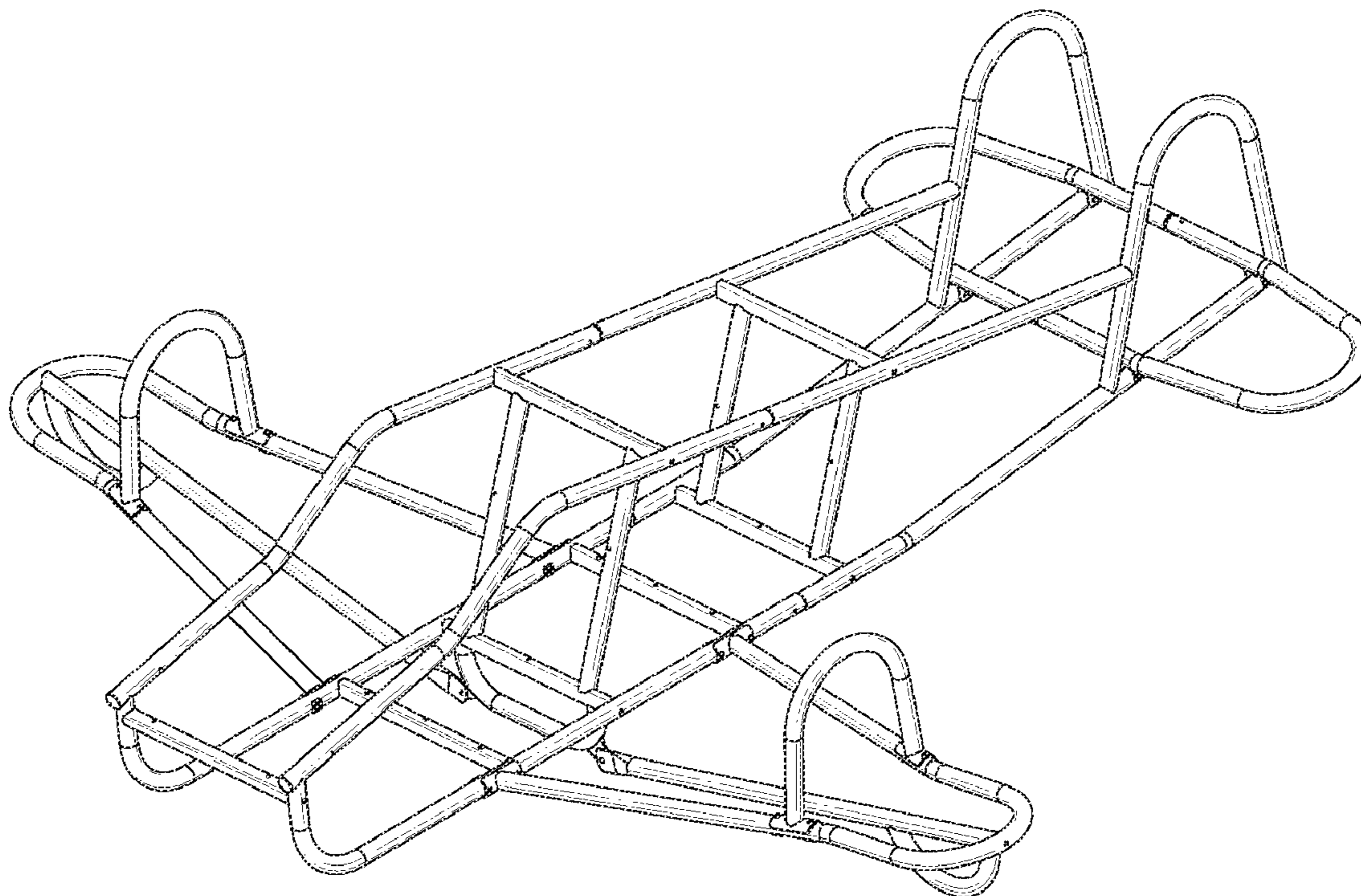
(56) **References Cited**

U.S. PATENT DOCUMENTS

1,466,031	A	*	8/1923	Rippin	297/181
1,845,832	A		2/1932	Cottner		
D165,593	S	*	1/1952	Low	D21/825
D191,749	S	*	11/1961	Haubert	D21/827
D194,214	S	*	12/1962	Shepard	D21/827
D195,633	S	*	7/1963	Haubert	D21/827
D200,478	S	*	3/1965	Haubert	D21/820
D212,193	S	*	9/1968	Rudy	D21/827
3,516,659	A		6/1970	Kleid		

(Continued)

1 Claim, 3 Drawing Sheets



US D602,554 S

U.S. PATENT DOCUMENTS

D223,674	S	*	5/1972	Johnson	D21/827
D225,072	S	*	11/1972	Henning et al.	D21/827
D225,073	S	*	11/1972	Henning et al.	D21/827
D226,318	S	*	2/1973	Henning et al.	D21/827
D236,276	S	*	8/1975	Rudy	D21/827
D241,664	S		9/1976	Ewers		
D257,875	S	*	1/1981	Rudy	D21/827
D281,893	S	*	12/1985	Addleman	D21/827
4,579,708	A		4/1986	Rosart		
4,781,375	A		11/1988	Nye		
4,805,904	A		2/1989	Nye		
4,881,734	A		11/1989	Nye		
4,941,658	A		7/1990	Poo		
5,203,752	A		4/1993	Frankel		
5,324,027	A		6/1994	Nye		
D366,923	S		2/1996	Boifava		
5,554,074	A		9/1996	Von Parrish		
5,695,417	A		12/1997	Winter et al.		
5,879,247	A		3/1999	Winter et al.		
5,967,901	A		10/1999	Briggs		
6,077,177	A		6/2000	Winter et al.		
6,116,888	A		9/2000	Johnston		
6,120,396	A		9/2000	VanNimwegen et al.		
6,135,901	A		10/2000	VanNimwegen		
6,142,891	A		11/2000	Winter et al.		
6,155,938	A		12/2000	Mower		
6,273,834	B1		8/2001	Winter		
6,402,644	B2		6/2002	Stanford et al.		
6,419,597	B1		7/2002	VanNimwegen et al.		
6,419,598	B1		7/2002	Winter et al.		
6,422,957	B1		7/2002	Winter et al.		
6,427,403	B1		8/2002	Tambakis		
6,488,599	B2		12/2002	Nye		
D468,386	S		1/2003	Frank		
D479,569	S	*	9/2003	Van Deusen	D21/827
D481,094	S	*	10/2003	Van Deusen	D21/820
D481,095	S	*	10/2003	Van Deusen	D21/827
D481,779	S	*	11/2003	Van Deusen	D21/827
6,645,095	B1		11/2003	Nye et al.		
6,699,146	B1		3/2004	Winter et al.		
D495,376	S		8/2004	Zee		
7,060,002	B1		6/2006	Boehme		

7,094,189	B2		8/2006	Fallacaro		
D534,984	S		1/2007	Nye		
D536,406	S		2/2007	Nye		
D536,407	S		2/2007	Nye		
D536,408	S		2/2007	Nye		
D536,409	S		2/2007	Nye		
D536,410	S		2/2007	Nye		
D536,411	S		2/2007	Nye		
D536,412	S		2/2007	Nye		
D538,878	S		3/2007	Kearl		
7,186,183	B2		3/2007	Zeilinger et al.		
D543,494	S		5/2007	Hall		
D544,549	S		6/2007	Giatz		
D550,320	S		9/2007	Nye		
D560,740	S		1/2008	Phelps		
D593,179	S	*	5/2009	Kearl et al.	D21/827
2001/0040003	A1		11/2001	Yang		
2004/0224823	A1		11/2004	Myers		
2005/0176557	A1		8/2005	Bork		
2005/0233862	A1		10/2005	Madigan		
2006/0079379	A1		4/2006	Zeilinger		
2007/0117494	A1		5/2007	Sheller		

OTHER PUBLICATIONS

U.S. Appl. No. 11/844,147, filed Aug. 23, 2007.
 International Search Report and Written Opinion from PCT International Application No. PCT/US2006/022068, dated Jun. 25, 2008, 12 pages.
 Office Action dated Jun. 24, 2008 cited in related U.S. Appl. No. 11/447,334.
 U.S. Appl. No. 29/330,175, filed Dec. 30, 2008.
 Office Action dated Feb. 10, 2009 cited in related U.S. Appl. No. 11/844,147.
 Notice of Allowance dated Feb. 2, 2009 cited in related U.S. Appl. No. 29/318,955.
 U.S. Appl. No. 11/625,677, filed Jan. 22, 2007, Nye.
 U.S. Appl. No. 11/836,121, filed Aug. 8, 2007, Nye.
 U.S. Appl. No. 12/129,107, filed May 29, 2008, Nye.
 U.S. Appl. No. 29/318,955, filed May 31, 2008, Kearl.
 U.S. Appl. No. 29/318,956, filed May 31, 2008, Kearl.
 U.S. Appl. No. 29/318,958, filed May 31, 2008, Kearl.

* cited by examiner

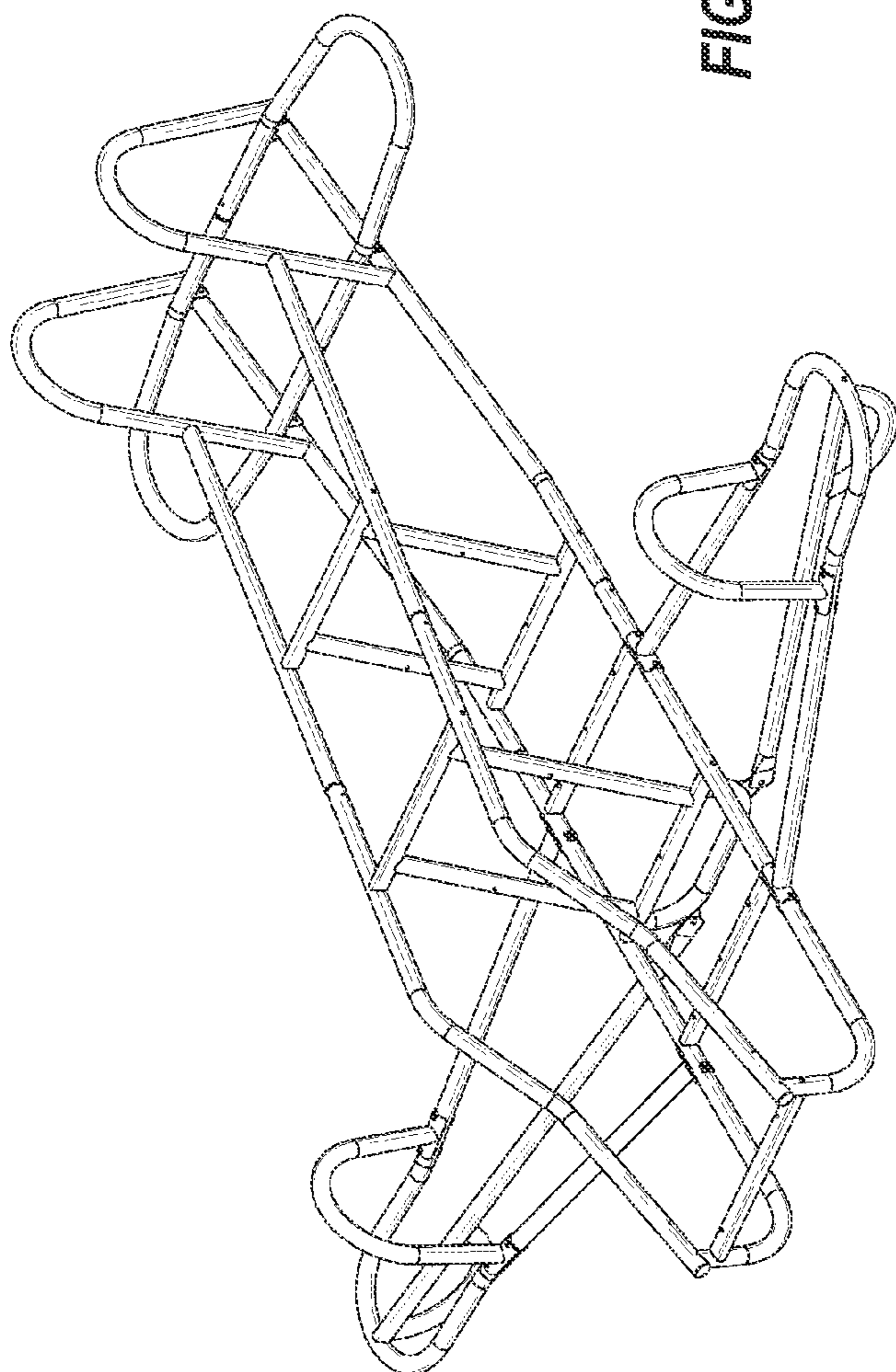


FIG. 1

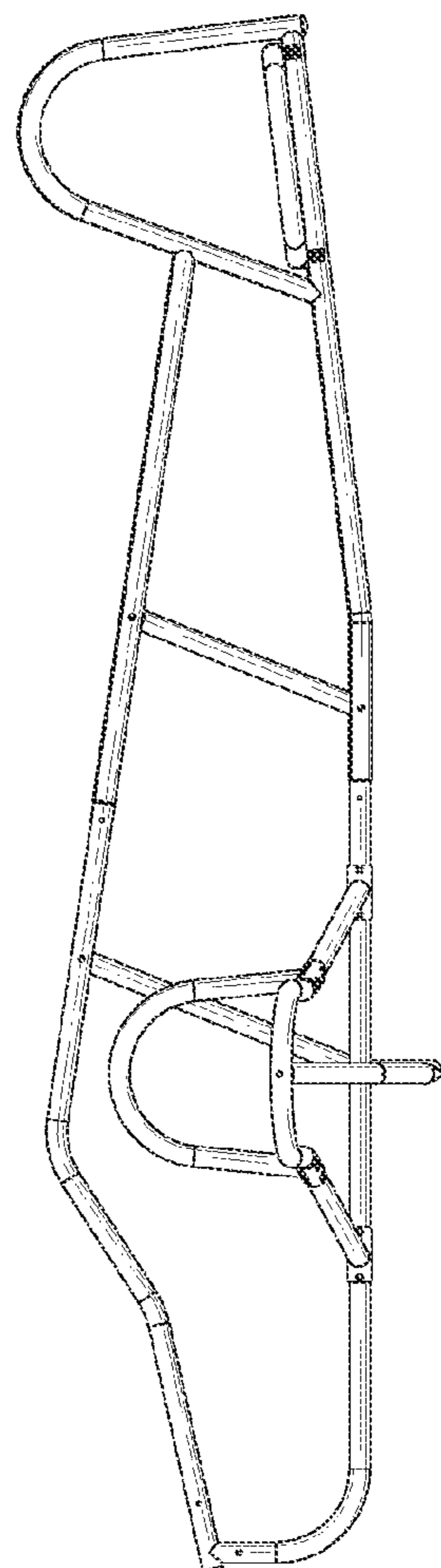


FIG. 2

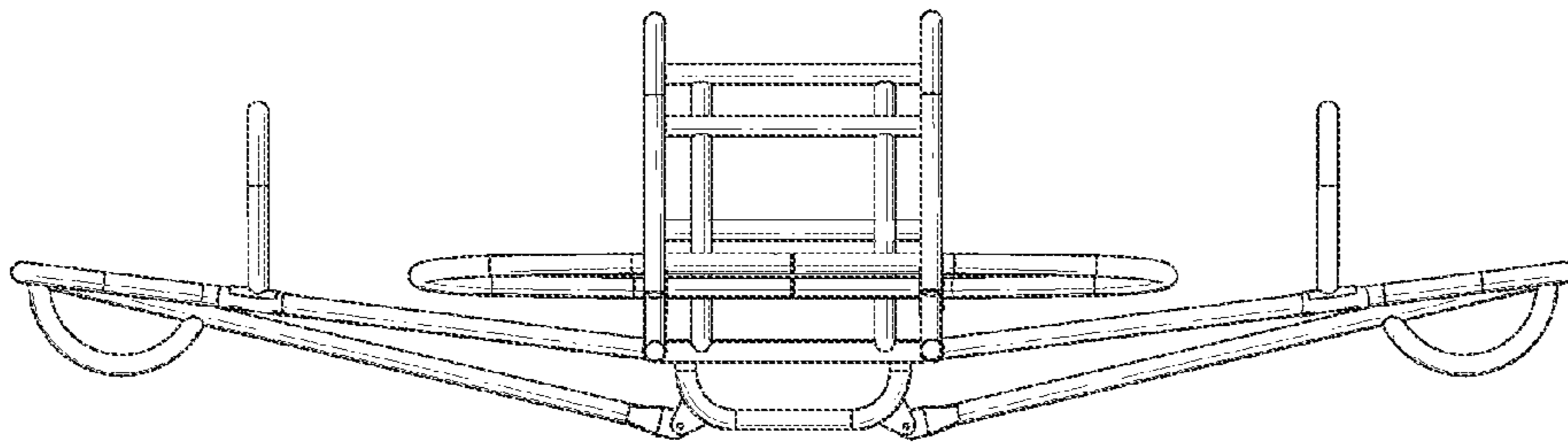


FIG. 5

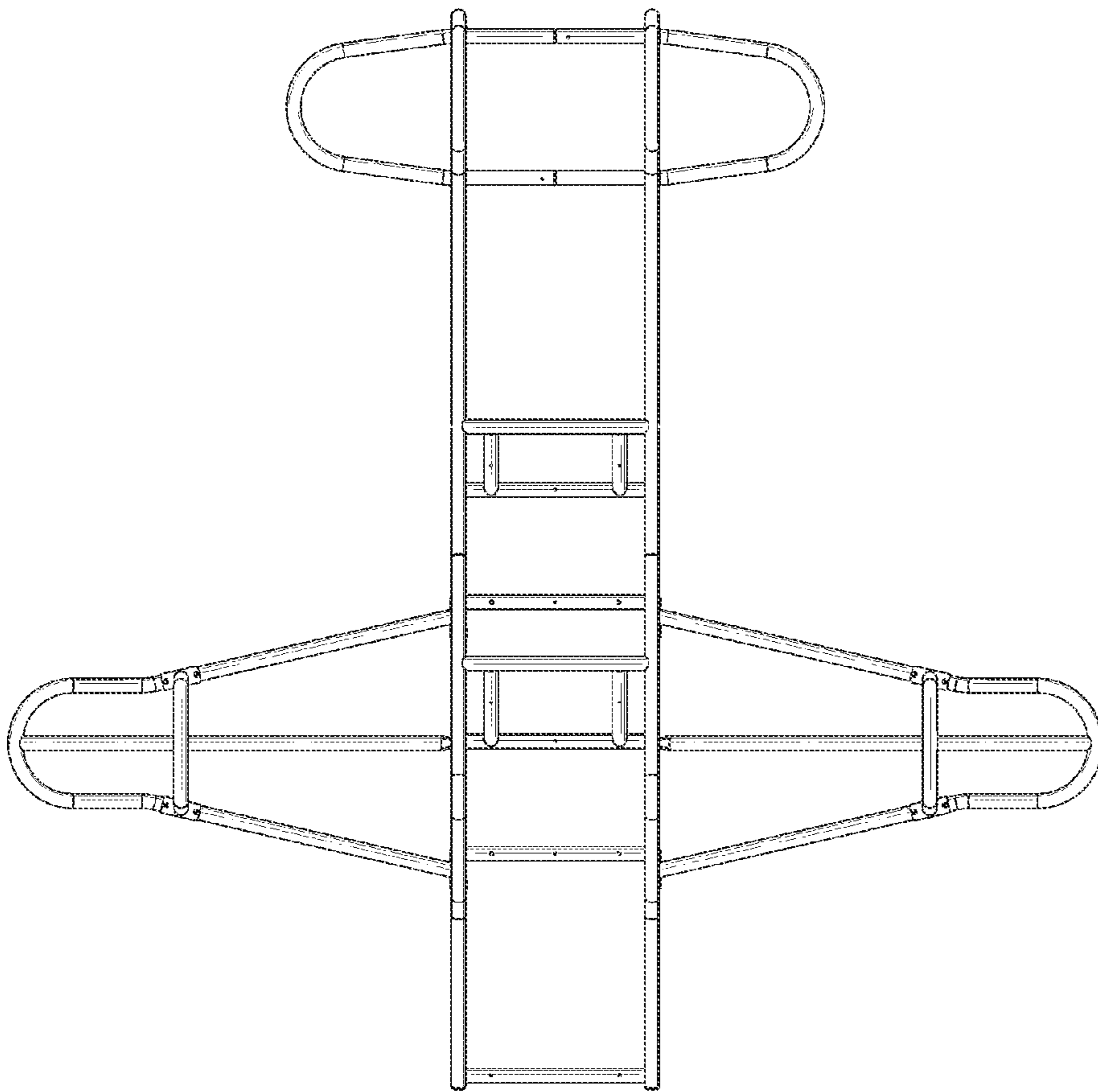


FIG. 3

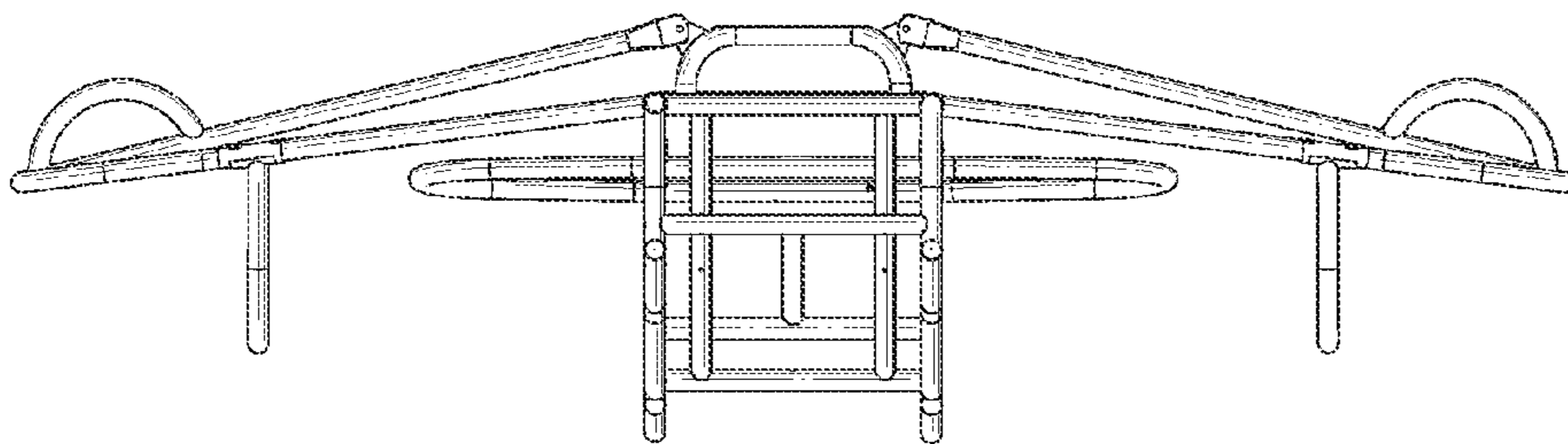


FIG. 4

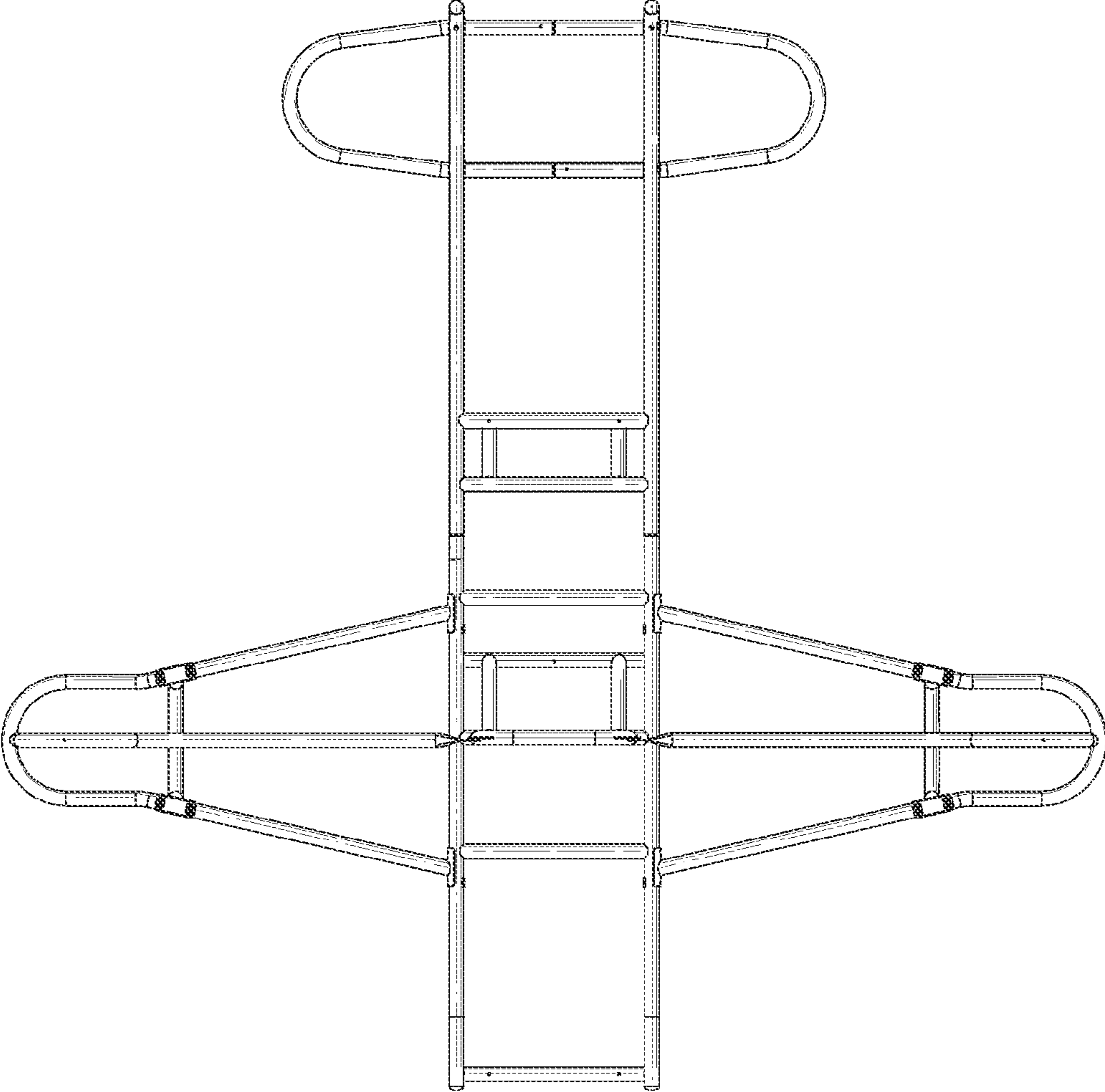


FIG. 6