



US00D602550S

(12) **United States Design Patent**
Oldknow

(10) **Patent No.:** **US D602,550 S**

(45) **Date of Patent:** **** Oct. 20, 2009**

(54) **GOLF CLUB HEAD**

(75) Inventor: **Andrew G. V. Oldknow**, Portland, OR
(US)

(73) Assignee: **NIKE, Inc.**, Beaverton, OR (US)

(**) Term: **14 Years**

(21) Appl. No.: **29/338,897**

(22) Filed: **Jun. 19, 2009**

(51) **LOC (9) Cl.** **21-02**

(52) **U.S. Cl.** **D21/759**

(58) **Field of Classification Search** D21/733,
D21/752, 759; 473/324–331, 343–346
See application file for complete search history.

(56) **References Cited**

U.S. PATENT DOCUMENTS

- D354,325 S * 1/1995 Henwood D21/752
- D414,234 S * 9/1999 Darrah D21/759
- D458,325 S 6/2002 Antonious
- D461,865 S 8/2002 Nagai et al.
- D508,544 S 8/2005 Madore
- D532,469 S 11/2006 Oldknow
- D532,470 S 11/2006 Oldknow
- D532,471 S 11/2006 Oldknow
- D532,853 S 11/2006 Oldknow
- D532,854 S 11/2006 Oldknow
- D532,855 S 11/2006 Madore et al.
- D543,253 S 5/2007 Oldknow
- D543,600 S 5/2007 Oldknow
- D544,058 S 6/2007 Oldknow
- D544,557 S 6/2007 Oldknow
- D544,558 S 6/2007 Oldknow
- D544,559 S 6/2007 Oldknow
- D544,560 S 6/2007 Oldknow
- D544,561 S 6/2007 Oldknow
- D548,295 S 8/2007 Jertson et al.
- D550,318 S 9/2007 Oldknow
- D577,400 S * 9/2008 Oldknow et al. D21/759

- D577,401 S 9/2008 Oldknow et al.
- D577,402 S 9/2008 Oldknow et al.
- D577,403 S * 9/2008 Oldknow et al. D21/759
- D577,404 S * 9/2008 Oldknow et al. D21/759
- D577,405 S 9/2008 Oldknow et al.

(Continued)

OTHER PUBLICATIONS

Edwin Watts Golf, Summer 2003, p. 36. A Trimetal II Drivers & Fairway Woods.
 Edwin Watts Golf, Holiday 2004, p. 12, V-Steele Fairway Woods.
 Edwin Watts Golf, Late Spring 2004, p. 11, King Cobra-Titanium SZ Drivers.
 Austad's Golf, Spring 2008, p. 8, Nike SQ Sumo 5900 Ti Drivers.

Primary Examiner—Mitchell I Siegel

(74) *Attorney, Agent, or Firm*—Banner & Witcoff, Ltd.

(57) **CLAIM**

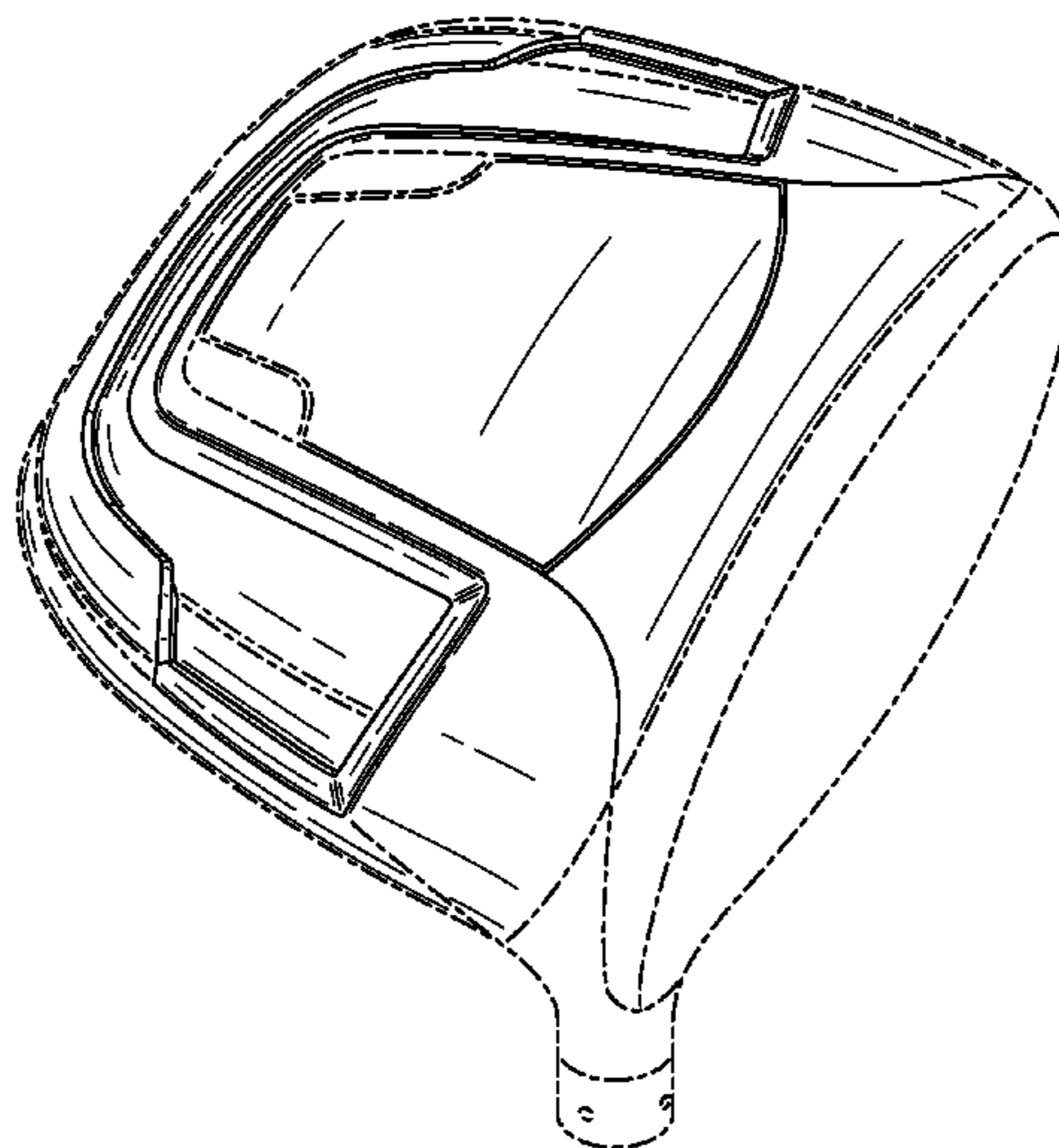
The ornamental design for a golf club head, as shown and described.

DESCRIPTION

FIG. 1 is a perspective view of a golf club head showing my new design;
 FIG. 2 is a bottom view thereof;
 FIG. 3 is a rear view thereof;
 FIG. 4 is a heel end view thereof;
 FIG. 5 is a toe end view thereof;
 FIG. 6 is a front view thereof; and,
 FIG. 7 is a top view thereof.

The broken line showing that is adjacent to the bounds of the shaded region forms an unclaimed boundary of the design. The broken line showings within the shaded region and of the remainder of the golf club head are for environmental purposes only and form no part of the claimed design.

1 Claim, 4 Drawing Sheets



US D602,550 S

Page 2

U.S. PATENT DOCUMENTS

D577,406 S	*	9/2008	Oldknow et al.	D21/759	D580,504 S		11/2008	Bosilkovski et al.	
D577,784 S	*	9/2008	Oldknow et al.	D21/759	D585,101 S	*	1/2009	Glod	D21/752
D577,785 S	*	9/2008	Oldknow et al.	D21/759	D587,772 S		3/2009	Ferguson et al.	
D577,786 S	*	9/2008	Oldknow et al.	D21/759	D588,223 S	*	3/2009	Kuan	D21/759
D577,787 S	*	9/2008	Oldknow et al.	D21/759	D591,818 S		5/2009	Roberts et al.	
D577,788 S	*	9/2008	Oldknow et al.	D21/759	2008/0171612	A1	7/2008	Serrano et al.	
D578,174 S		10/2008	Tang et al.		2009/0082135	A1	3/2009	Evans et al.	

* cited by examiner

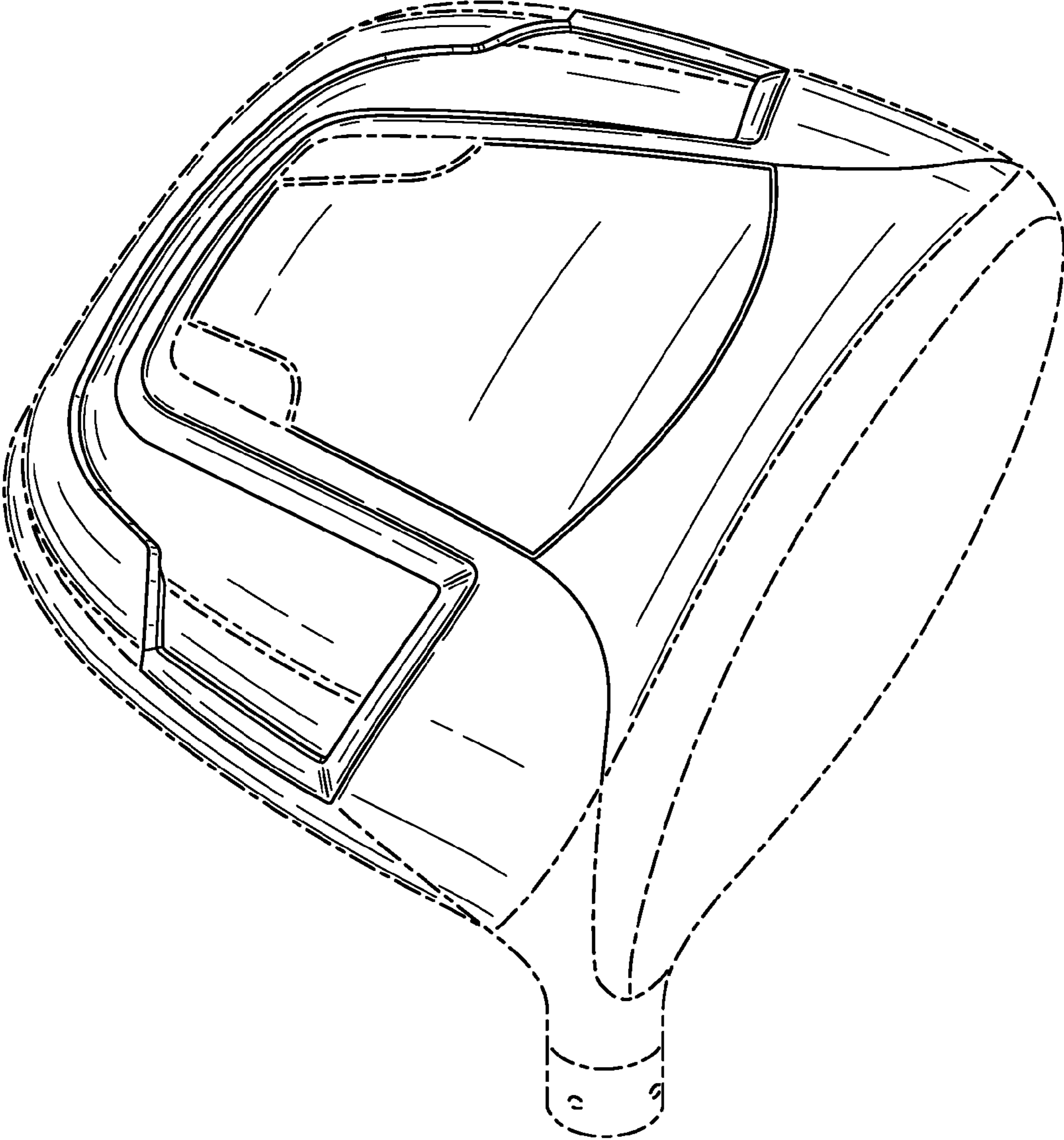


FIG. 1

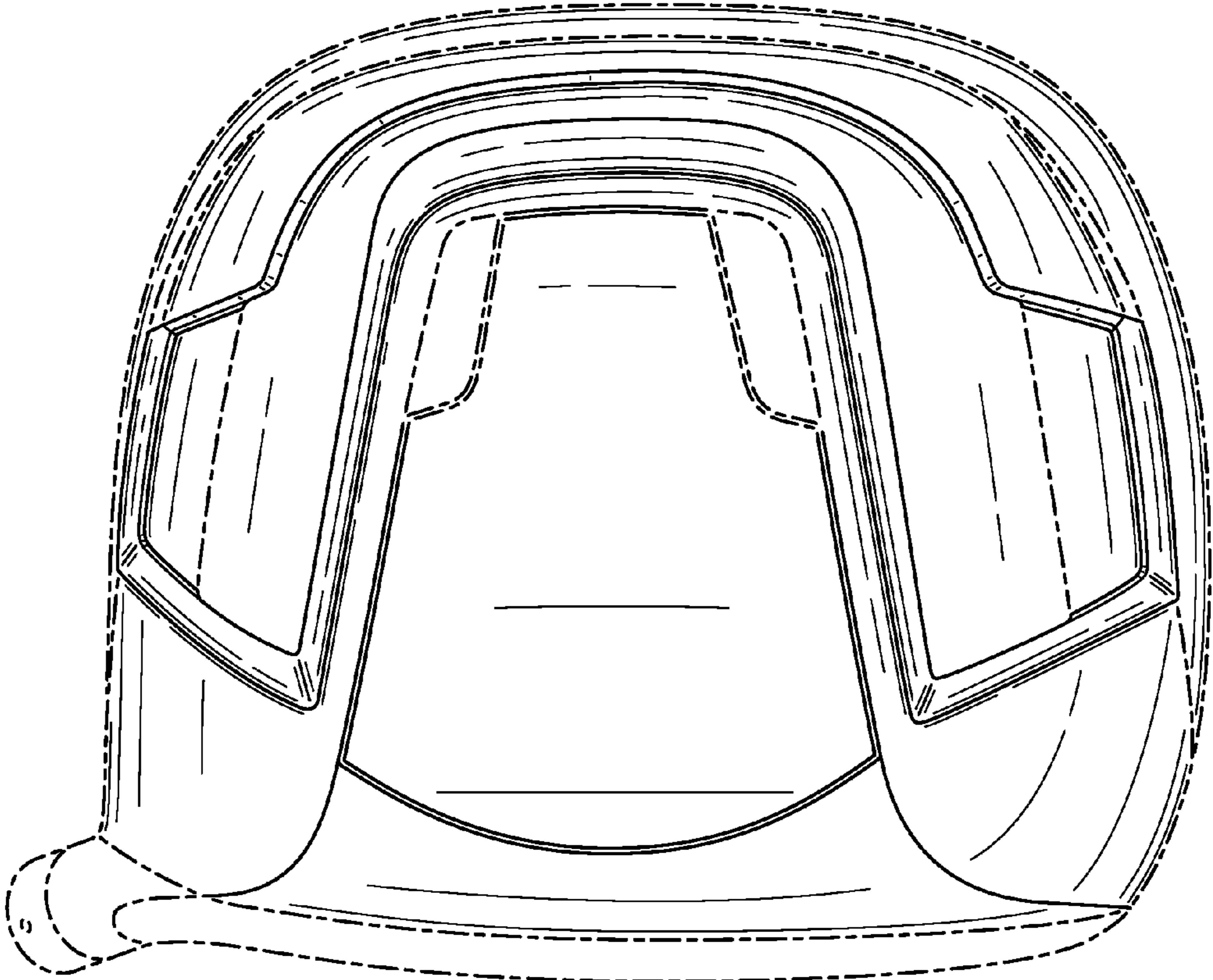


FIG. 2

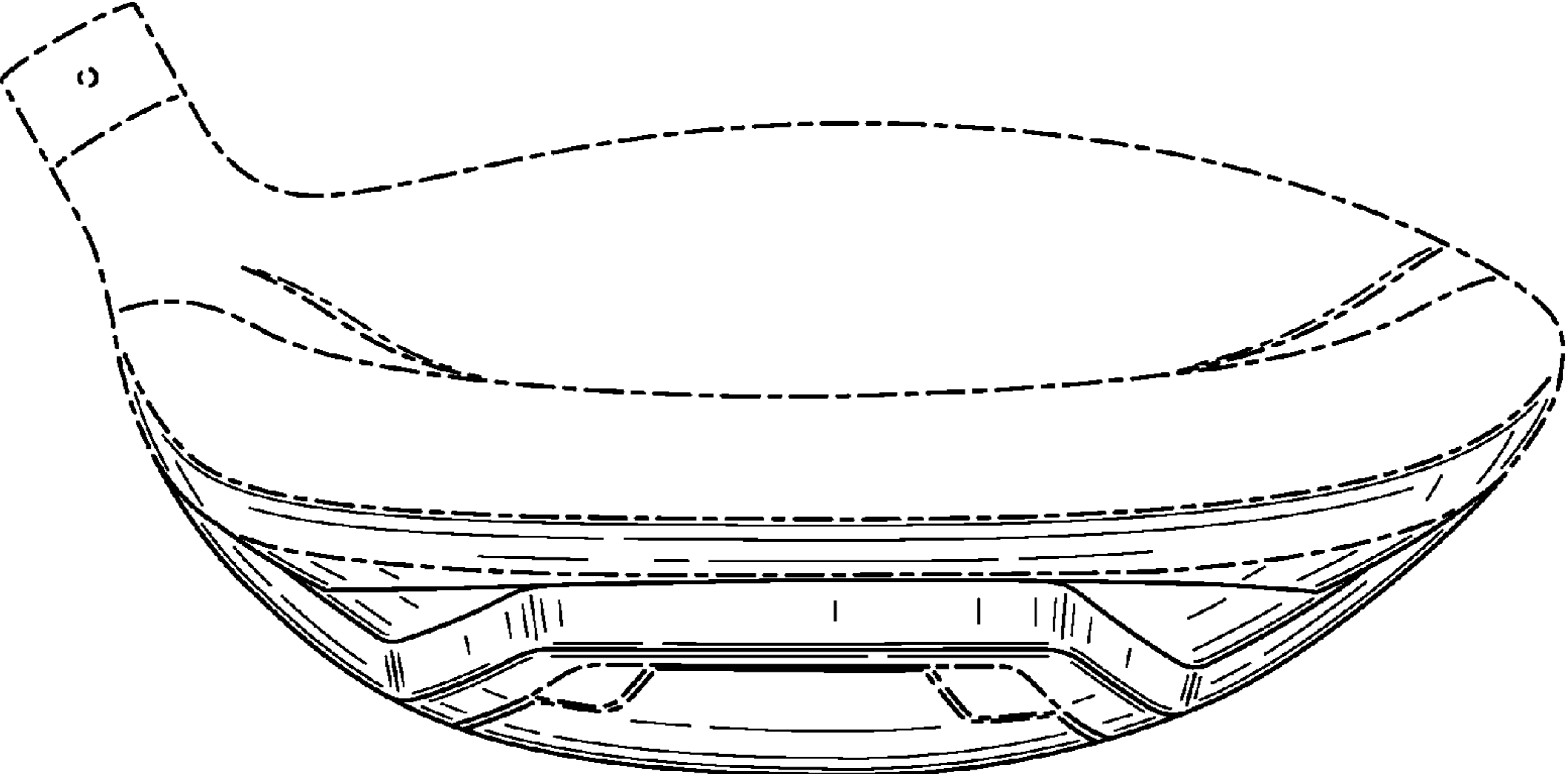


FIG. 3

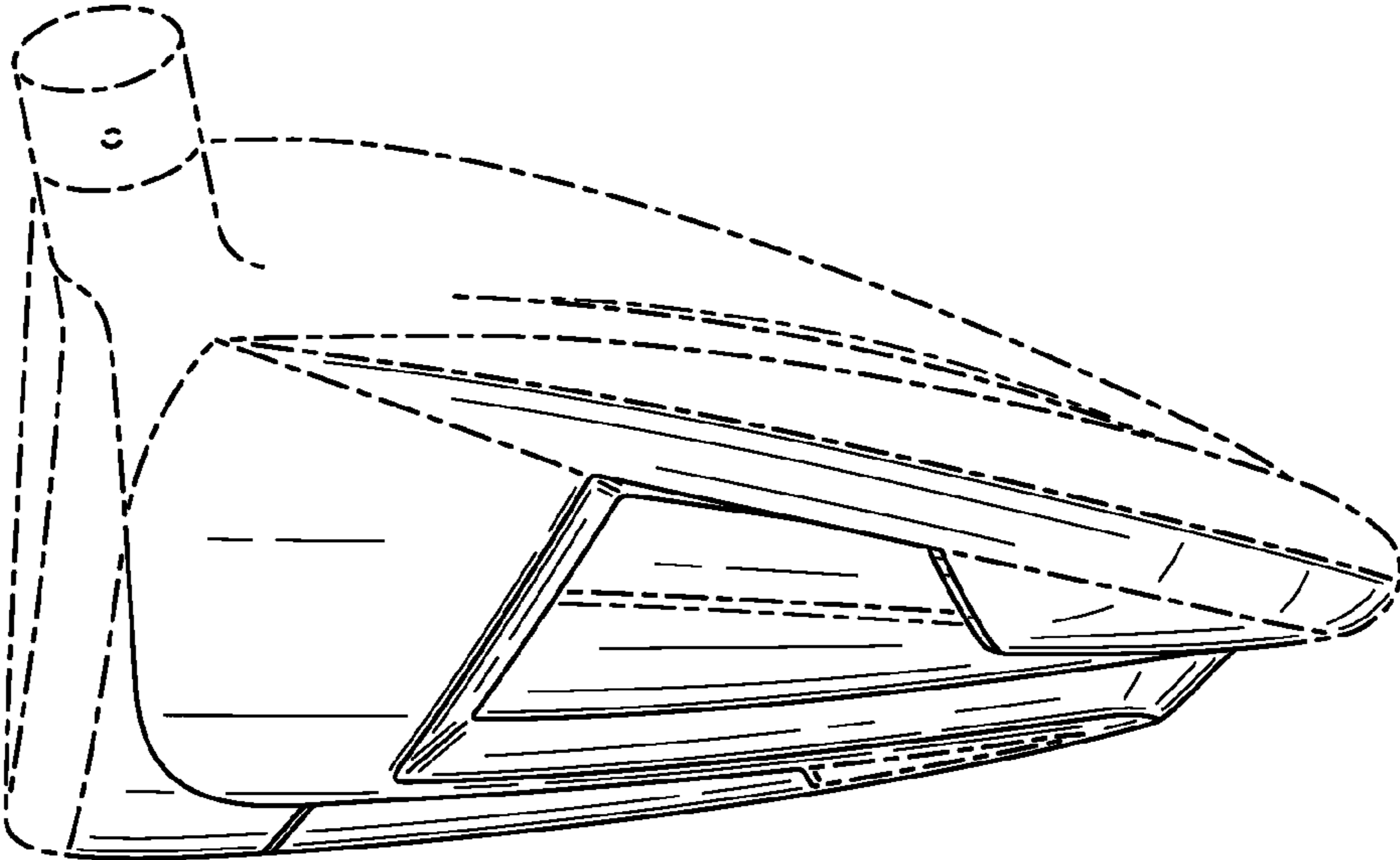


FIG. 4

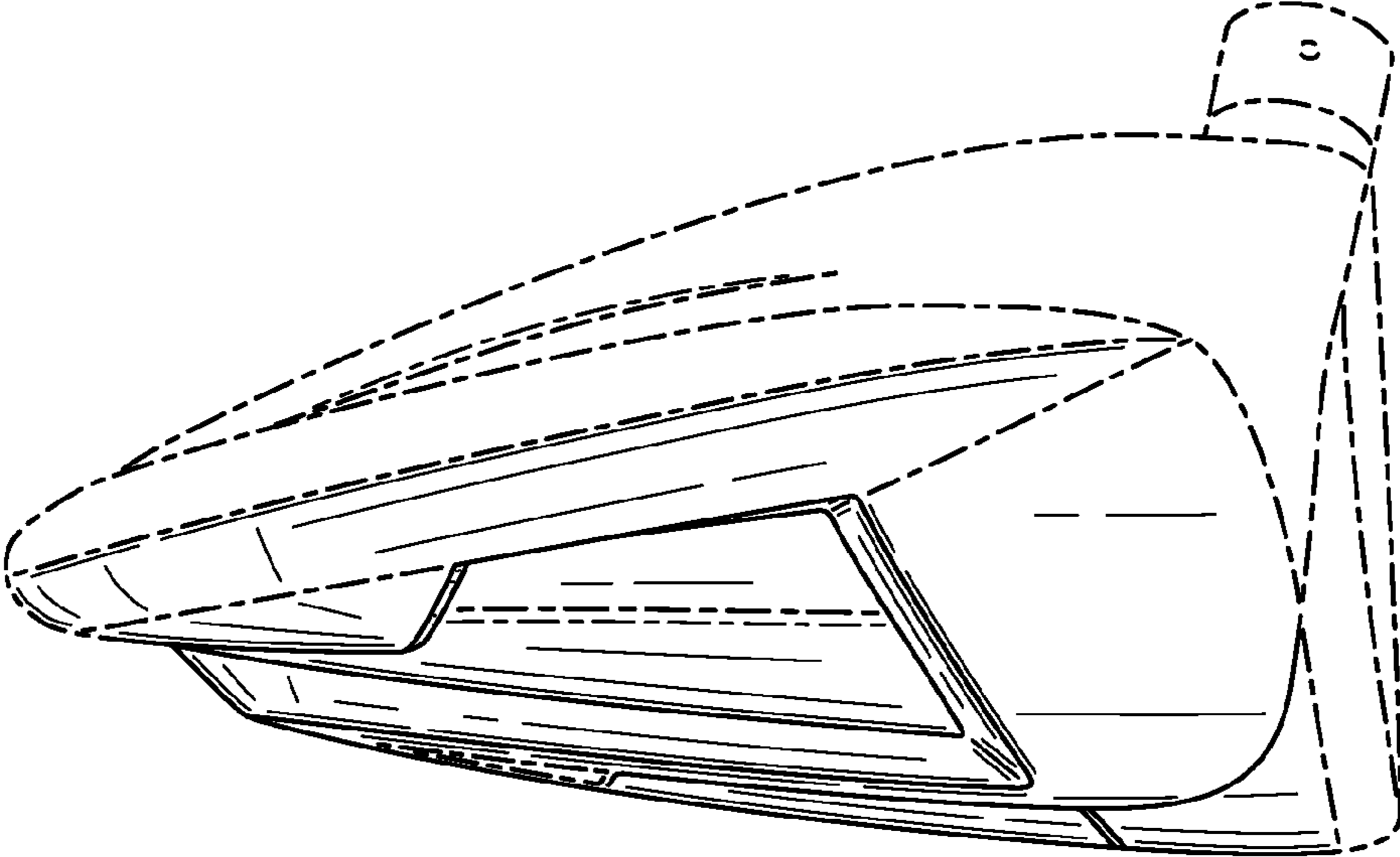


FIG. 5

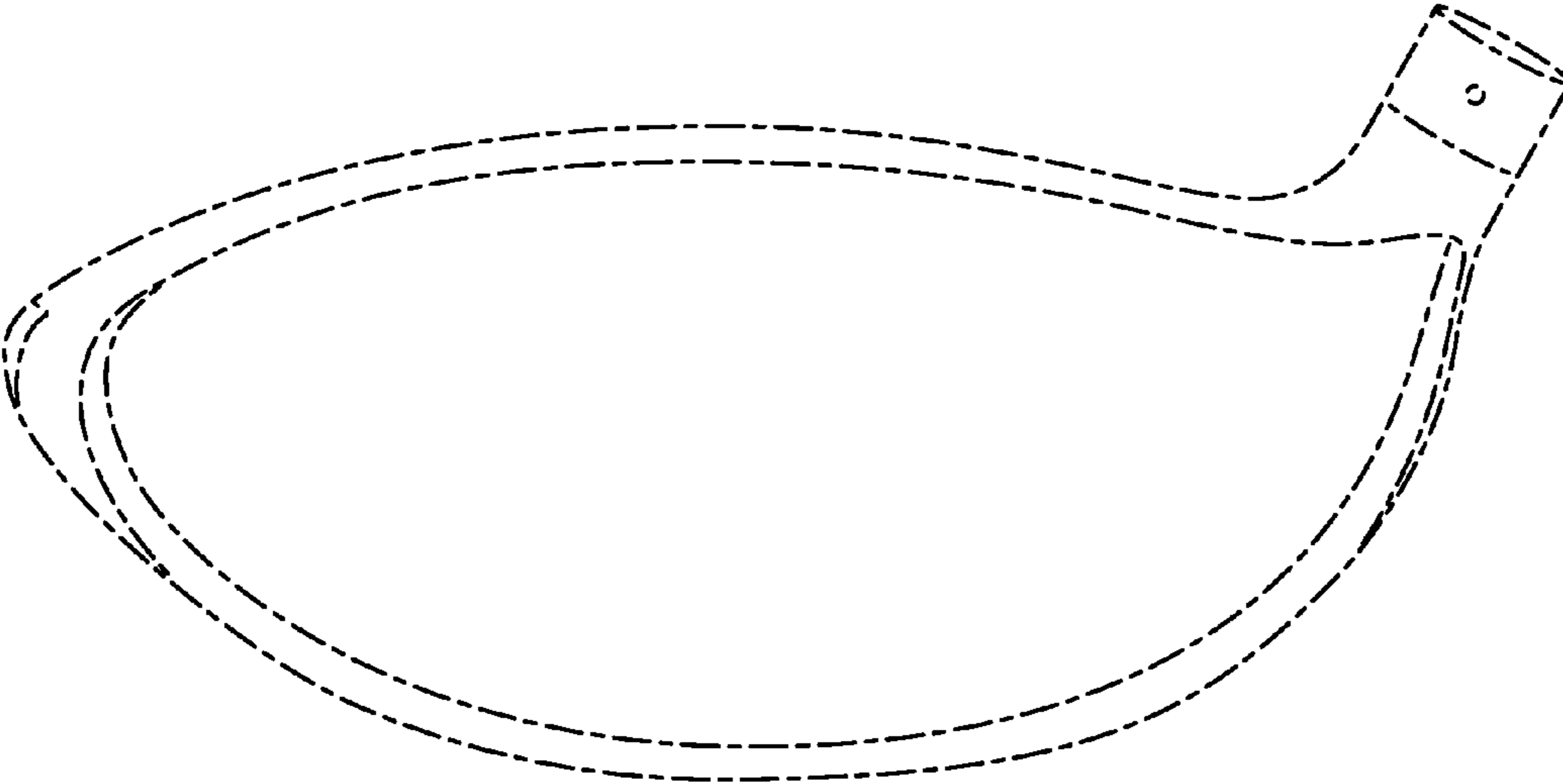


FIG. 6

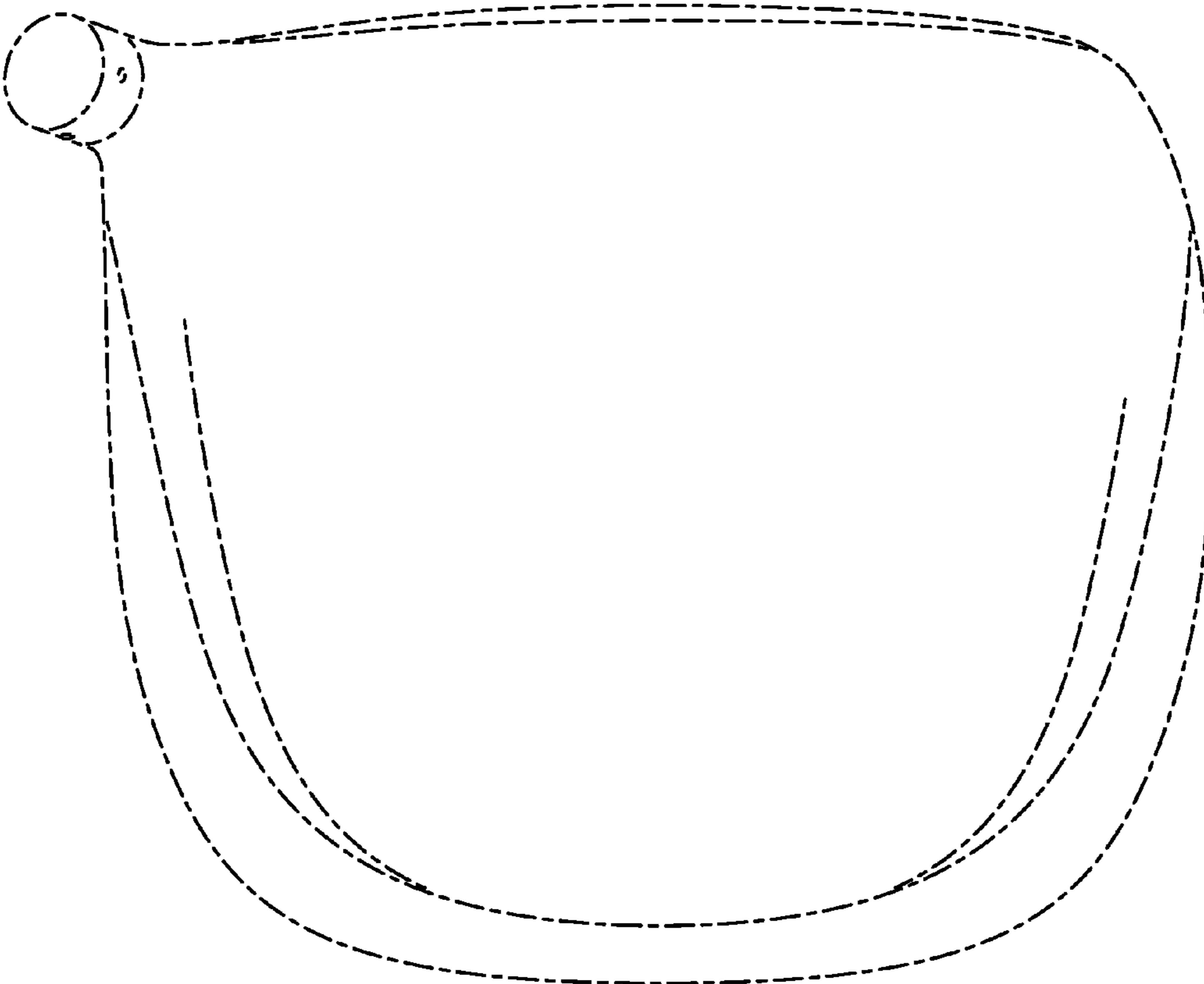


FIG. 7