

US00D602535S

(12) **United States Design Patent**
Hoskins et al.

(10) **Patent No.:** **US D602,535 S**

(45) **Date of Patent:** **** Oct. 20, 2009**

(54) **GAME**

5,328,188 A * 7/1994 Brotz 273/239
D353,406 S * 12/1994 Roberts et al. D21/346

(76) Inventors: **Gary F. Hoskins**, 10556 Windsor Lake Ct., Tampa, FL (US) 33626; **Nancy H. Hoskins**, 10556 Windsor Lake Ct., Tampa, FL (US) 33626

* cited by examiner

Primary Examiner—Sandra Morris

(74) *Attorney, Agent, or Firm*—QuickPatents, Inc.; Kevin Prince

(**) Term: **14 Years**

(21) Appl. No.: **29/297,294**

(57) **CLAIM**

The ornamental design for a game, as shown and described.

(22) Filed: **Nov. 8, 2007**

DESCRIPTION

(51) **LOC (9) Cl.** **21-01**

FIG. 1 is a perspective view of a game, showing my new design;

(52) **U.S. Cl.** **D21/345; D21/362**

FIG. 2 is a front elevational view thereof, the rear elevational, left-side elevational, and right-side elevational views all being a mirror image thereof;

(58) **Field of Classification Search** D6/604;
D21/334–369, 385, 392–397; 273/236–288
See application file for complete search history.

FIG. 3 is a top plan view thereof, the pattern beneath the holes are lined to indicate color; and,

(56) **References Cited**

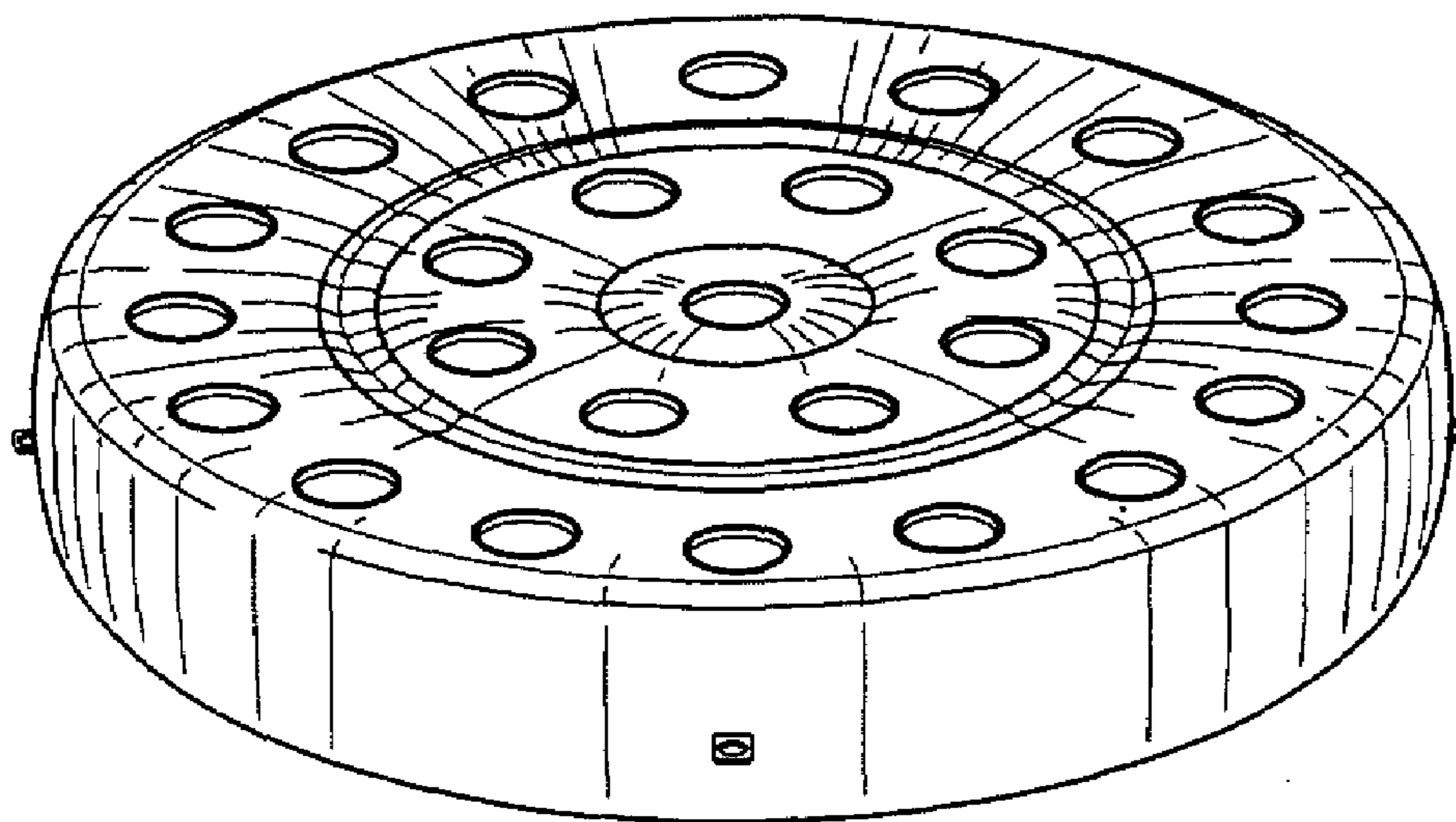
U.S. PATENT DOCUMENTS

447,418 A * 3/1891 Wheeler 273/115
3,427,029 A * 2/1969 Riva 273/239
D275,773 S * 10/1984 Holahan et al. D21/341
D281,178 S * 10/1985 Brockenshire D21/369
D300,796 S * 4/1989 Waggerman D7/605

FIG. 4 is a bottom plan view of the invention.

The broken lines in FIG. 4 define the bounds of the claimed design, and form no part thereof.

1 Claim, 1 Drawing Sheet



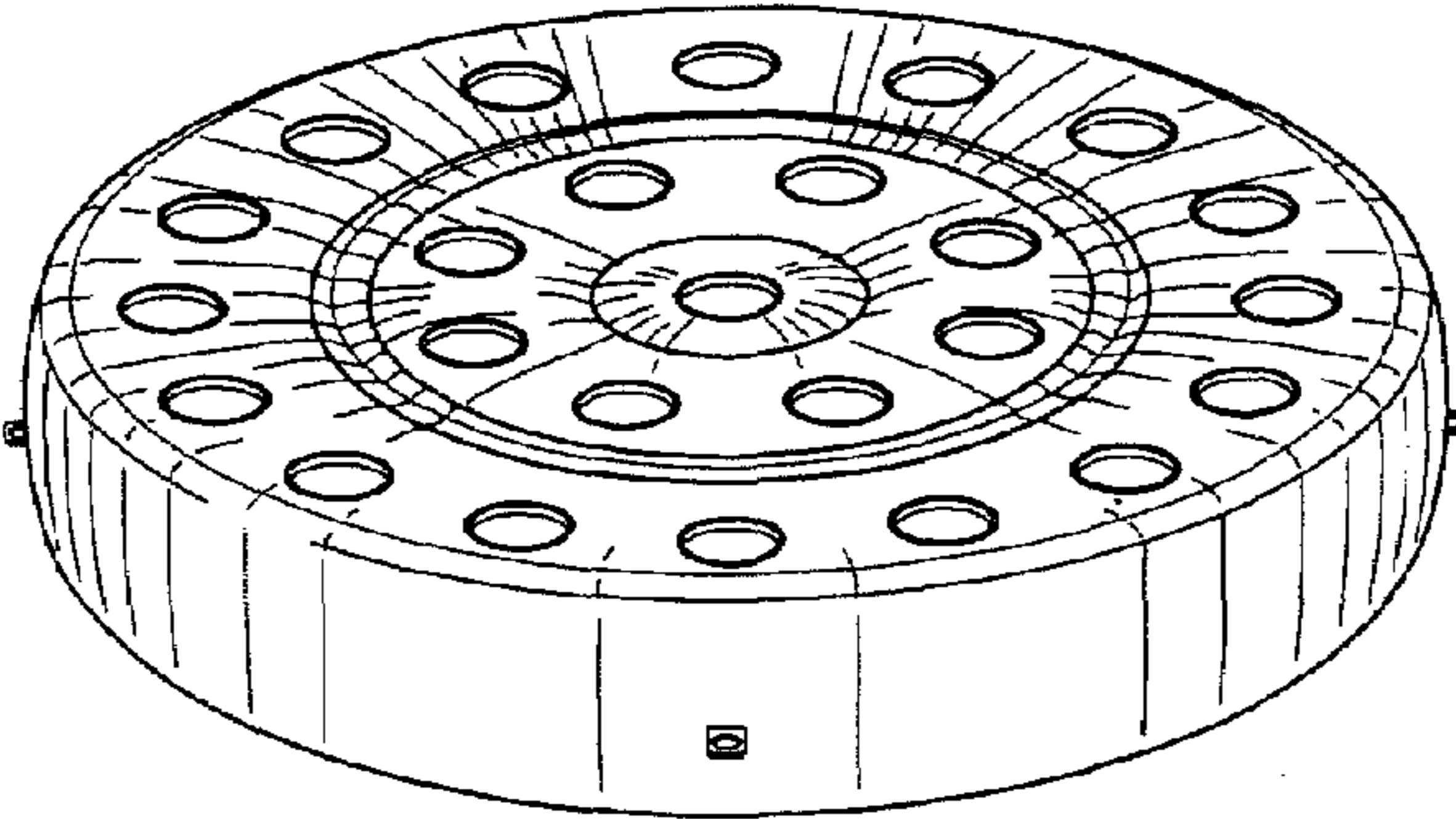


FIG. 1



FIG. 2

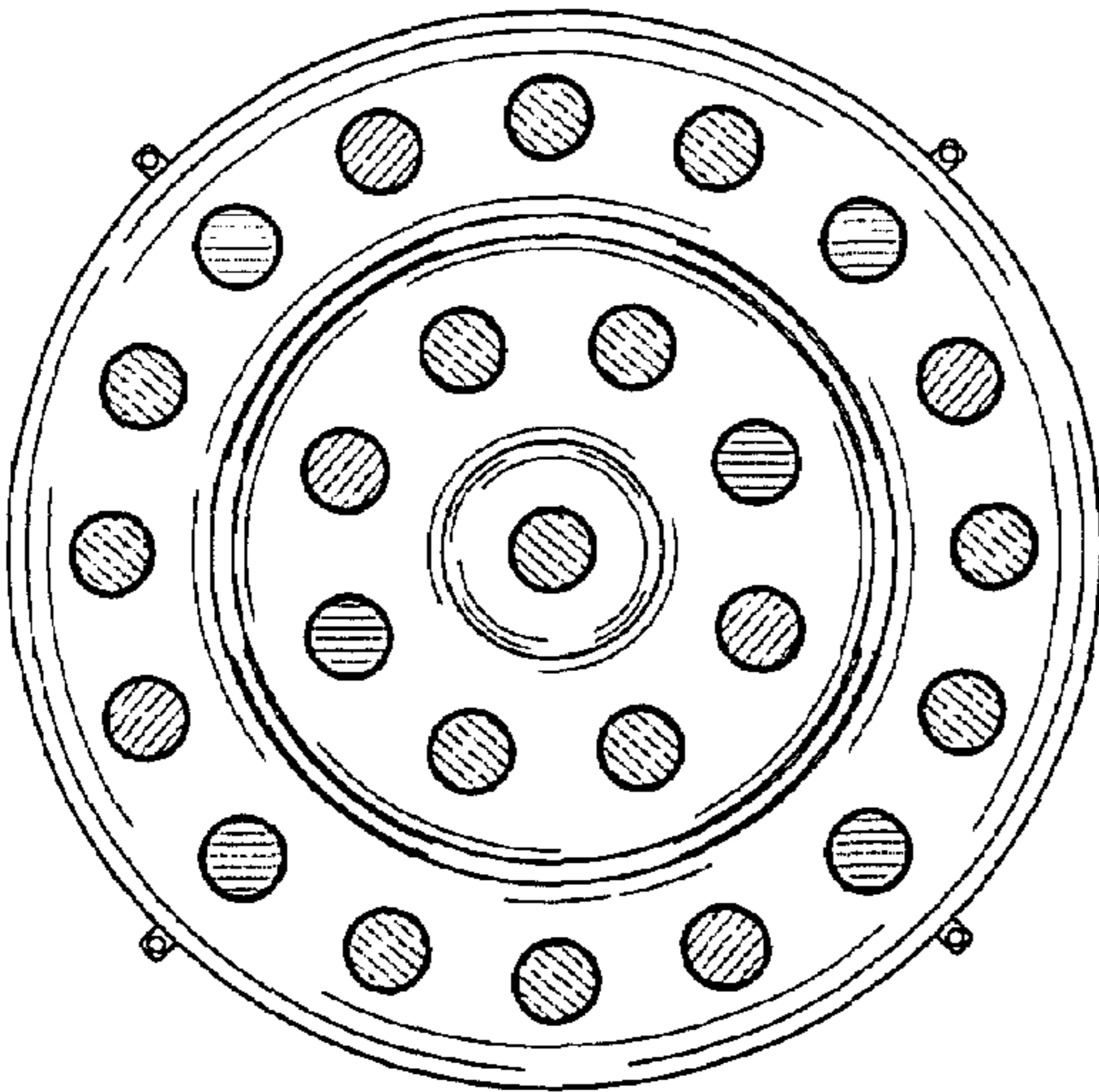


FIG. 3

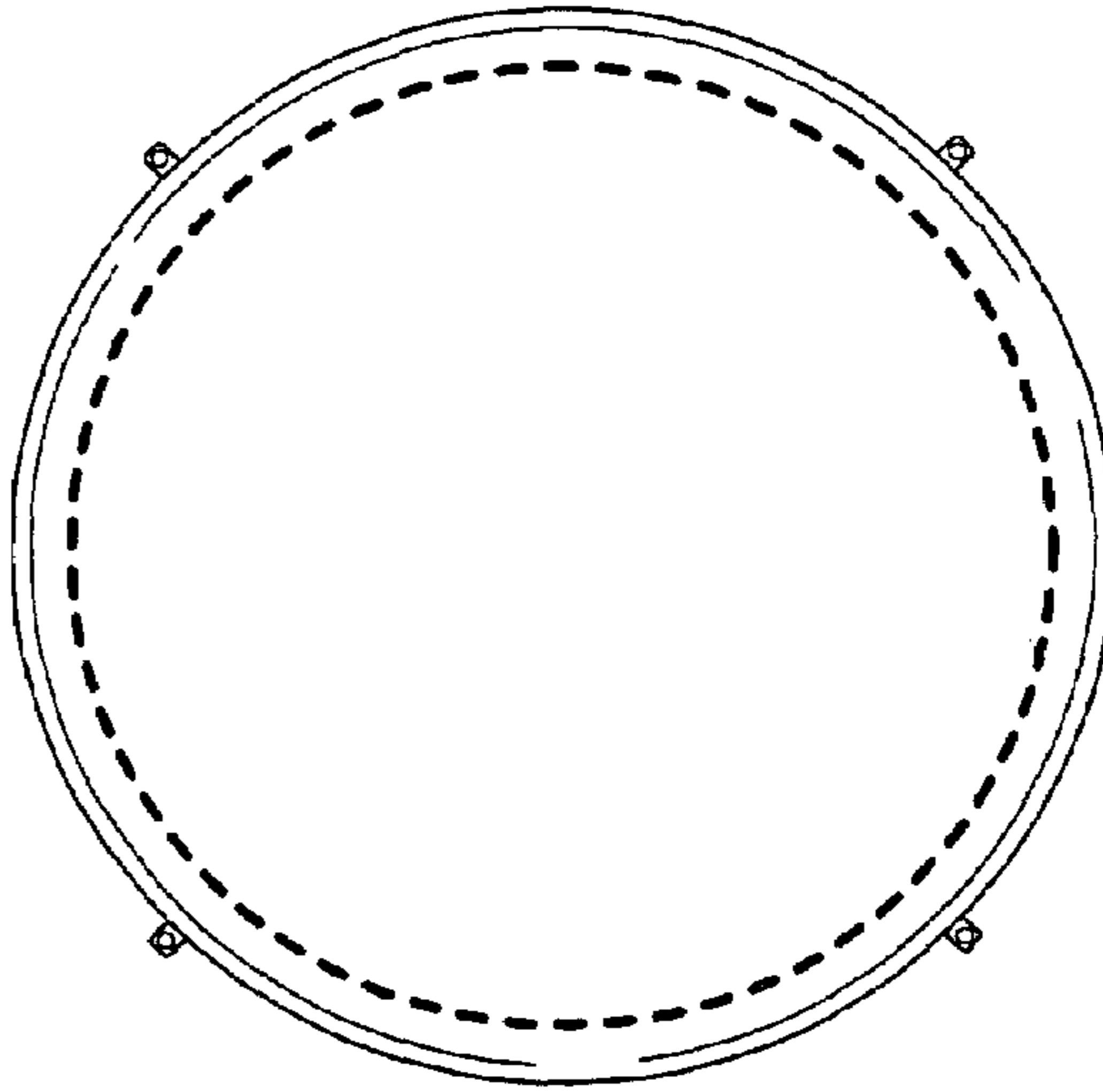


FIG. 4