



US00D602533S

(12) **United States Design Patent**
McGee

(10) **Patent No.:** **US D602,533 S**

(45) **Date of Patent:** **** Oct. 20, 2009**

(54) **WIPES TUB LABEL**

(75) Inventor: **Brian Edward McGee**, Wilmington, OH (US)

(73) Assignee: **The Procter & Gamble Company**, Cincinnati, OH (US)

(**) Term: **14 Years**

(21) Appl. No.: **29/289,421**

(22) Filed: **Jul. 19, 2007**

(51) **LOC (9) Cl.** **19-08**

(52) **U.S. Cl.** **D20/22**

(58) **Field of Classification Search** D20/10-12, D20/22, 23, 27, 28, 40, 99; 40/124.01, 124.02, 40/124.04, 124.06, 299.01, 312, 324, 328, 40/359, 360, 538, 542, 584, 594, 600, 601.03, 40/625, 626, 635; D6/300; 283/56, 71, 81; 428/34.1, 40.1, 42.1-42.3, 914
See application file for complete search history.

(56) **References Cited**

U.S. PATENT DOCUMENTS

- D104,201 S * 4/1937 Spencer D20/40
- D104,202 S * 4/1937 Spencer D20/40
- D472,392 S * 4/2003 Clingman, Jr. D6/300
- 2008/0222929 A1 * 9/2008 Sawin et al. 40/124.06

* cited by examiner

Primary Examiner—Janice E Seeger

Assistant Examiner—Mary Ann Calabrese

(74) *Attorney, Agent, or Firm*—Richard L. Alexander

(57) **CLAIM**

The ornamental design for a wipes tub label, as shown and described.

DESCRIPTION

FIG. 1 is a perspective view of a wipes tub label showing our new design;

FIG. 2 is a front view thereof;

FIG. 3 is a back view thereof;

FIG. 4 is a side view thereof; and

FIG. 5 is an opposite (from FIG. 4) side view thereof;

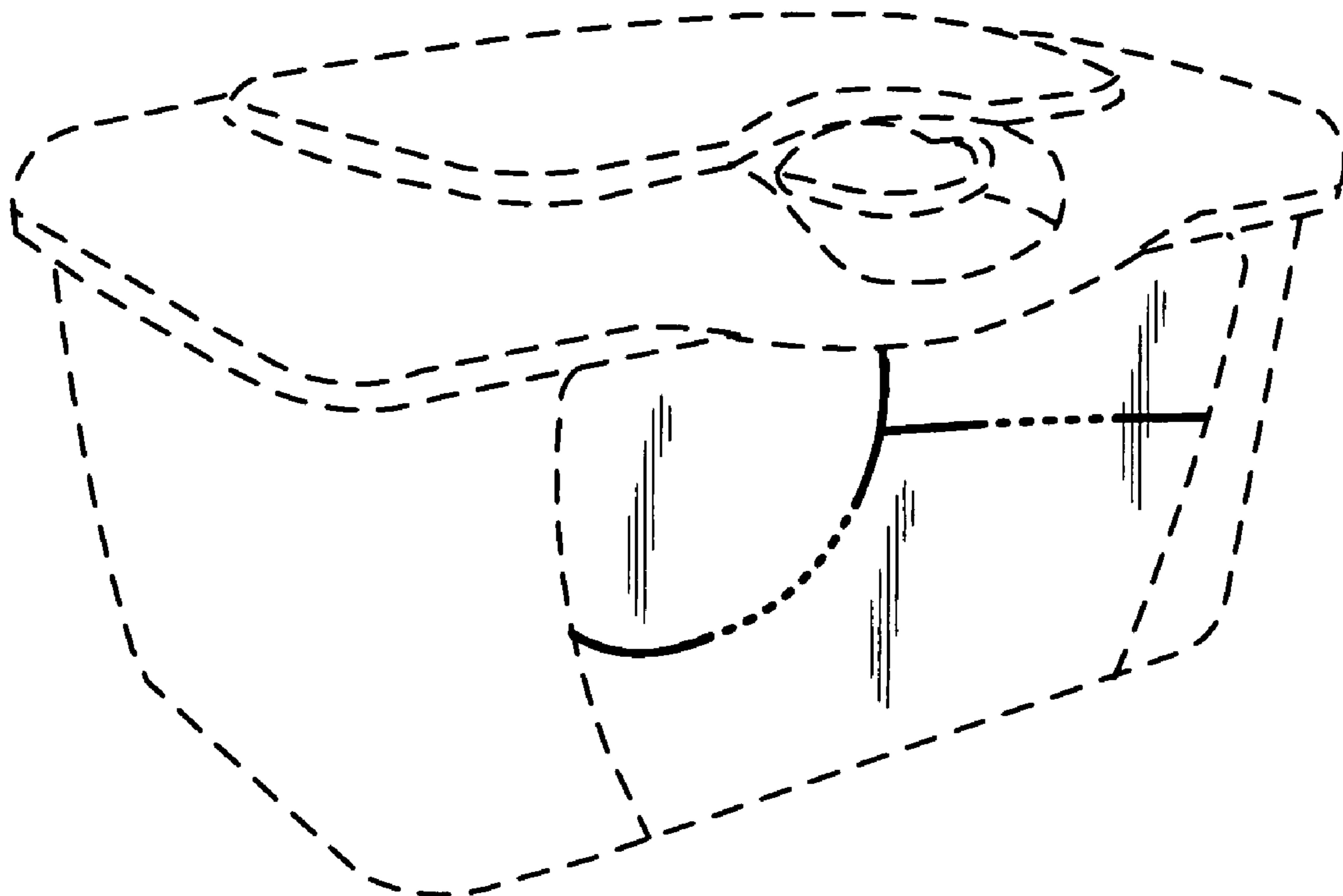
FIG. 6 is a top view thereof; and,

FIG. 7 is a bottom view thereof.

The dashed lines shown in the figures represent environmental subject matter and form no part of the claimed design.

The broken/dashed lines adjacent to the shaded surfaces represent the boundaries of the claimed portion of the design, but do not form a part of the claimed design. All other broken/dashed lines, including the heavy broken lines, represent environmental structure, but do not form a part of the claimed design.

1 Claim, 7 Drawing Sheets



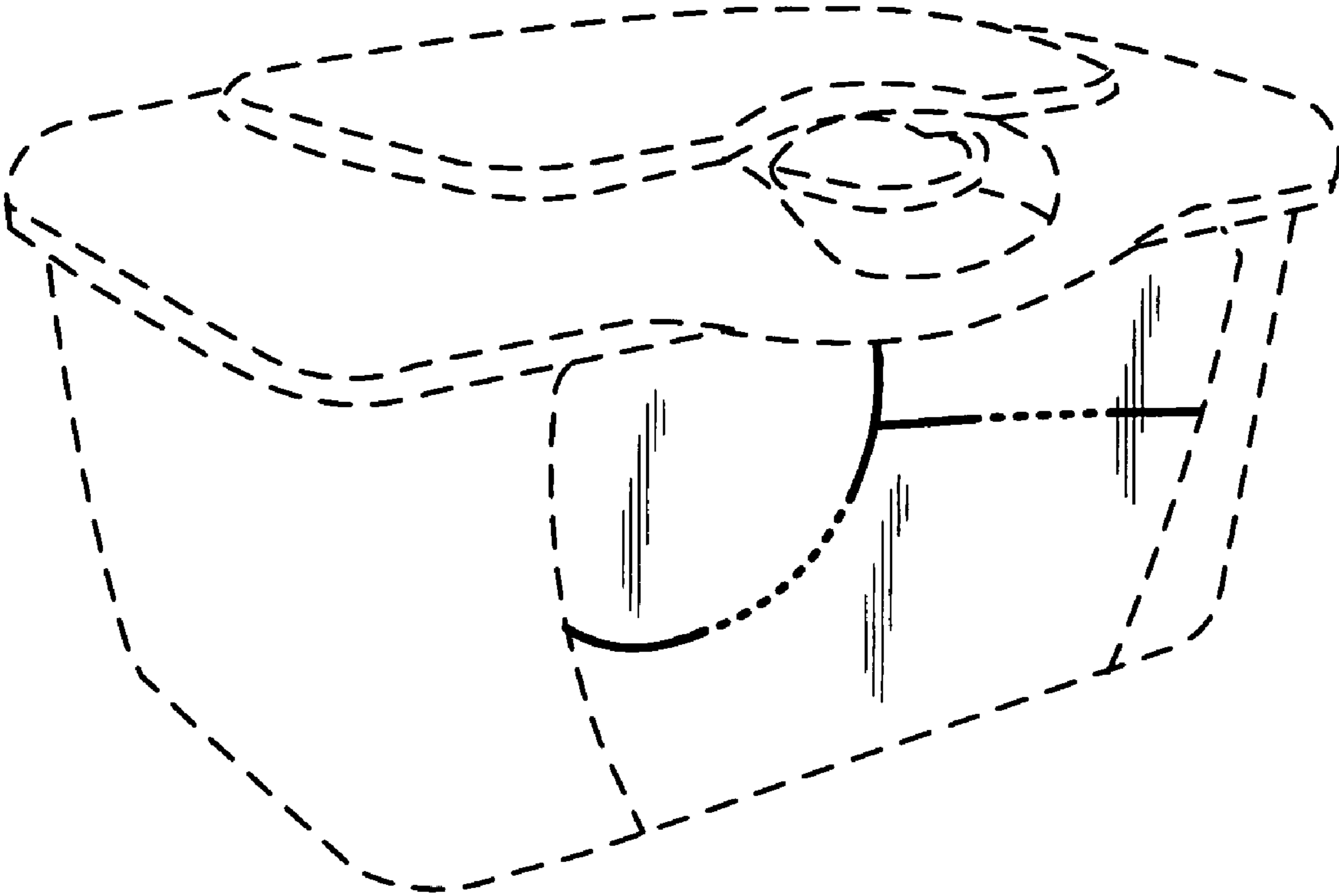


FIG. 1

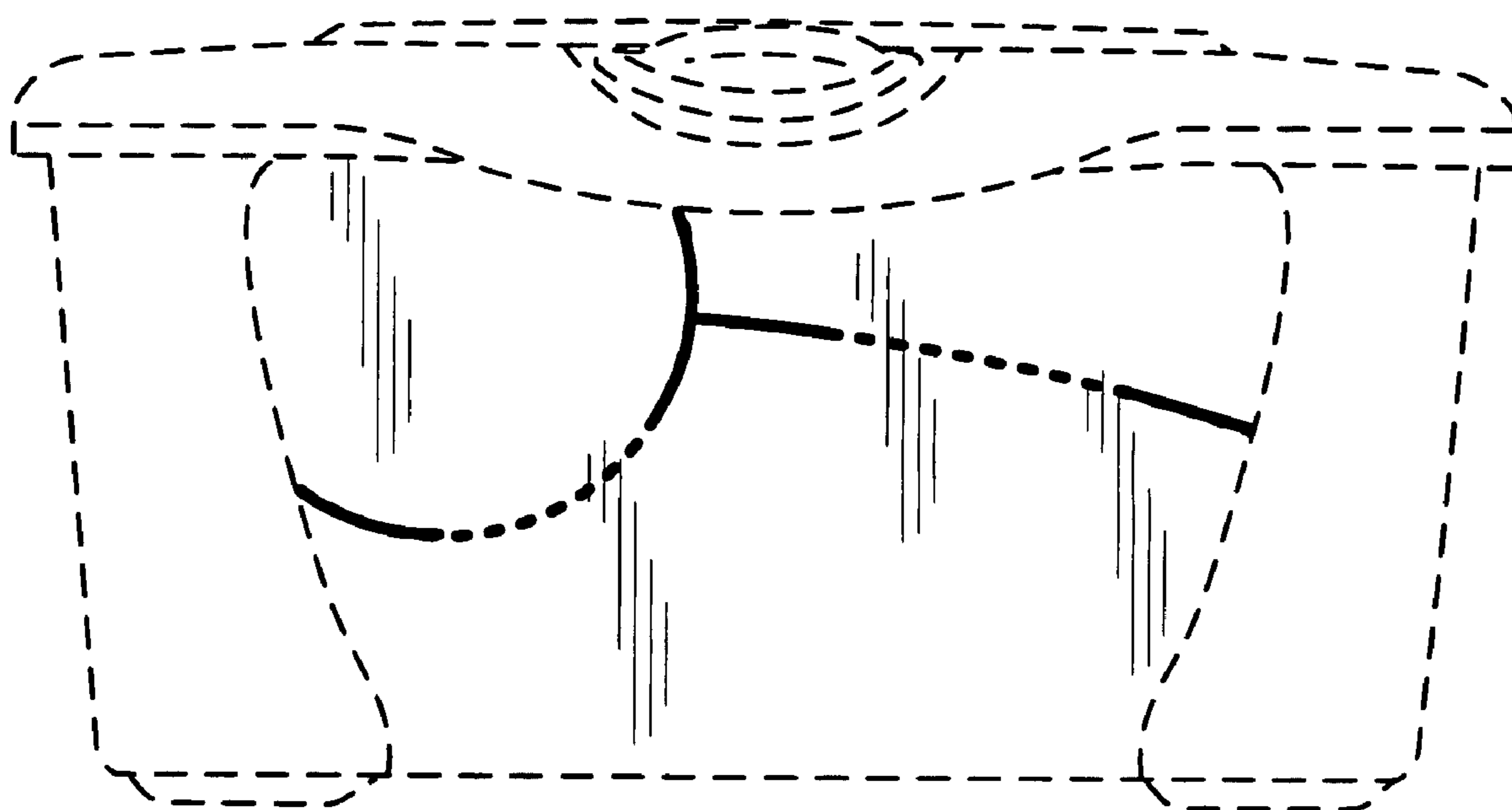


FIG. 2

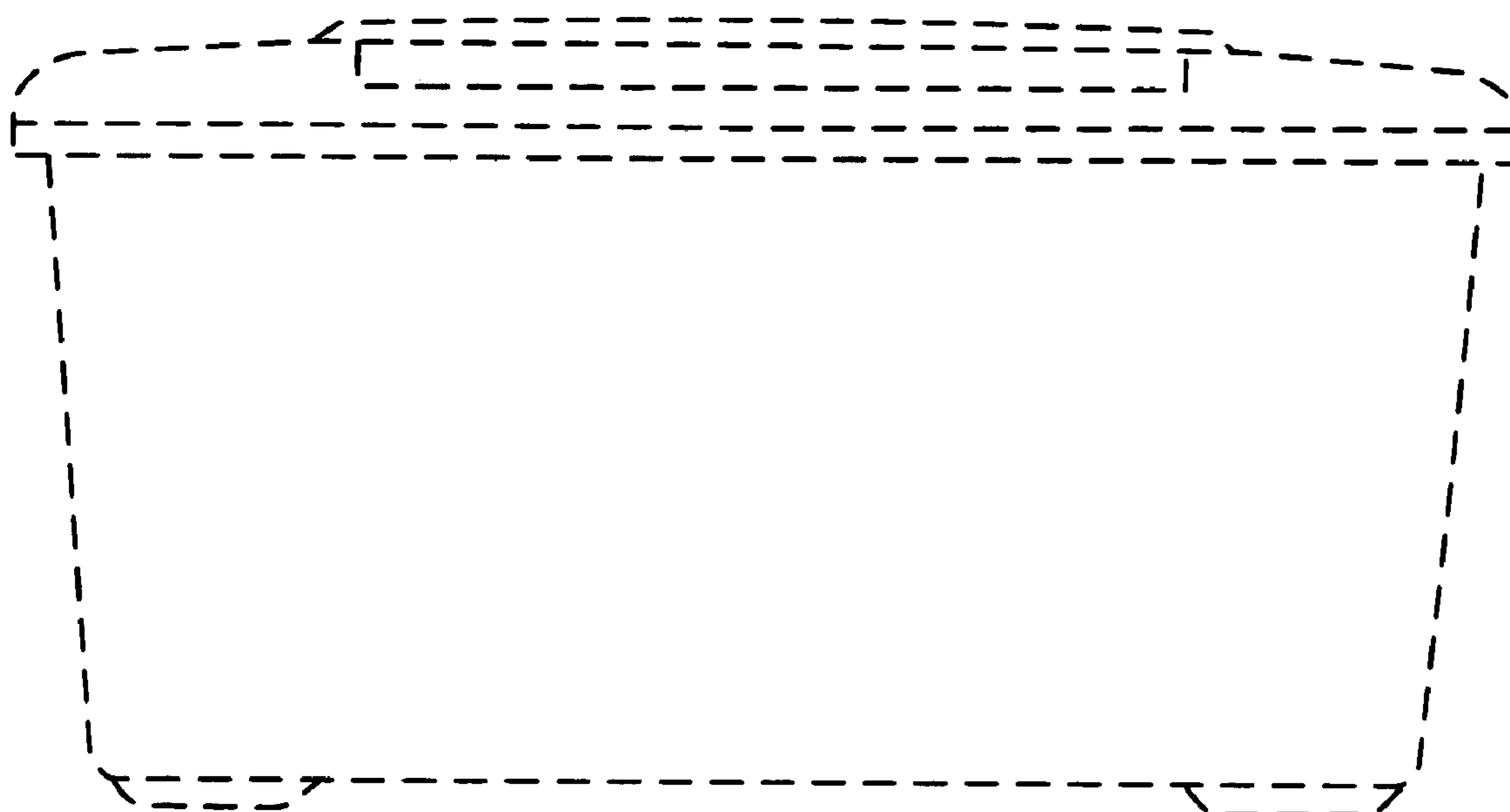


FIG. 3

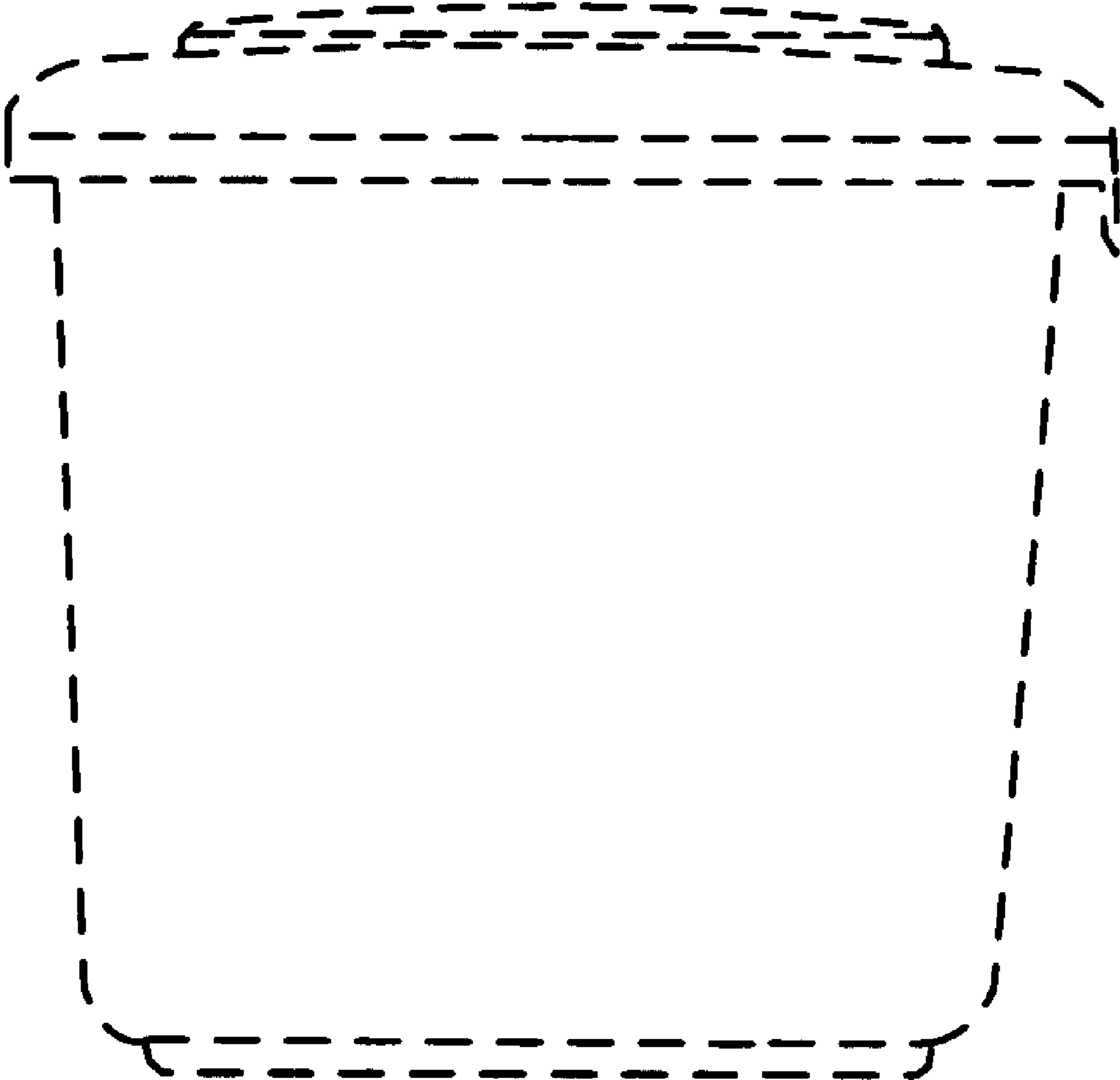


FIG. 4

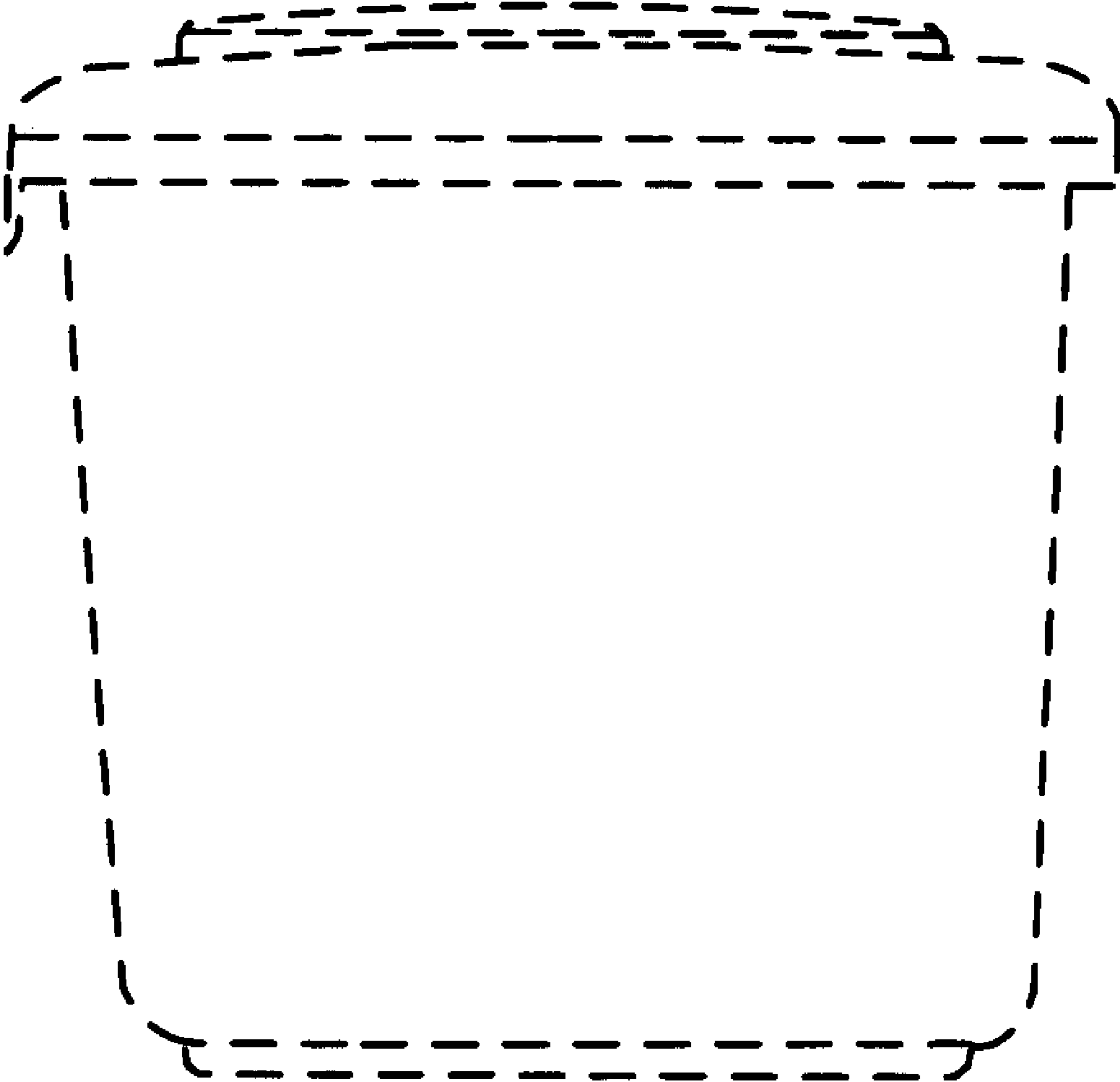


FIG. 5

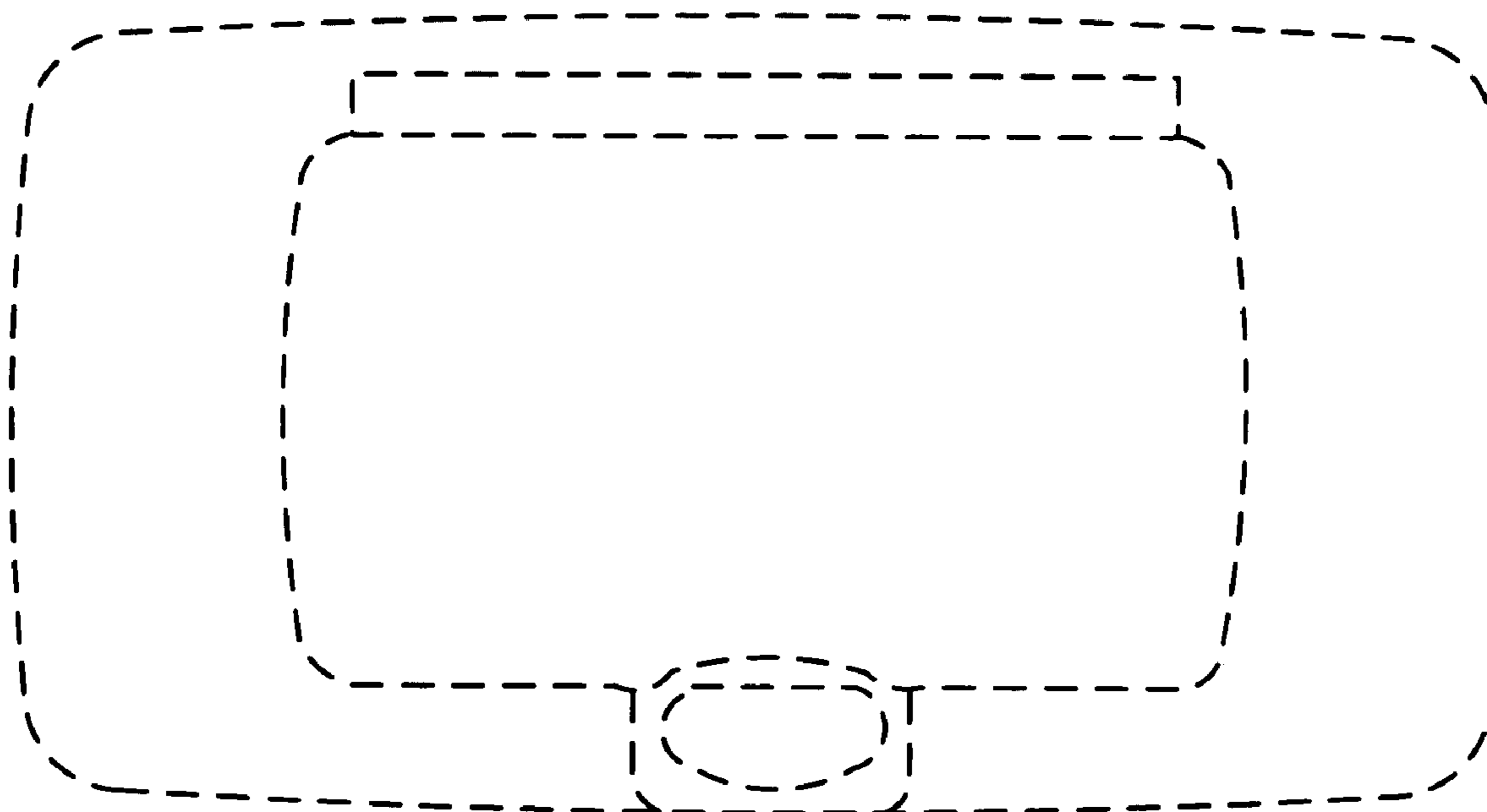


FIG. 6

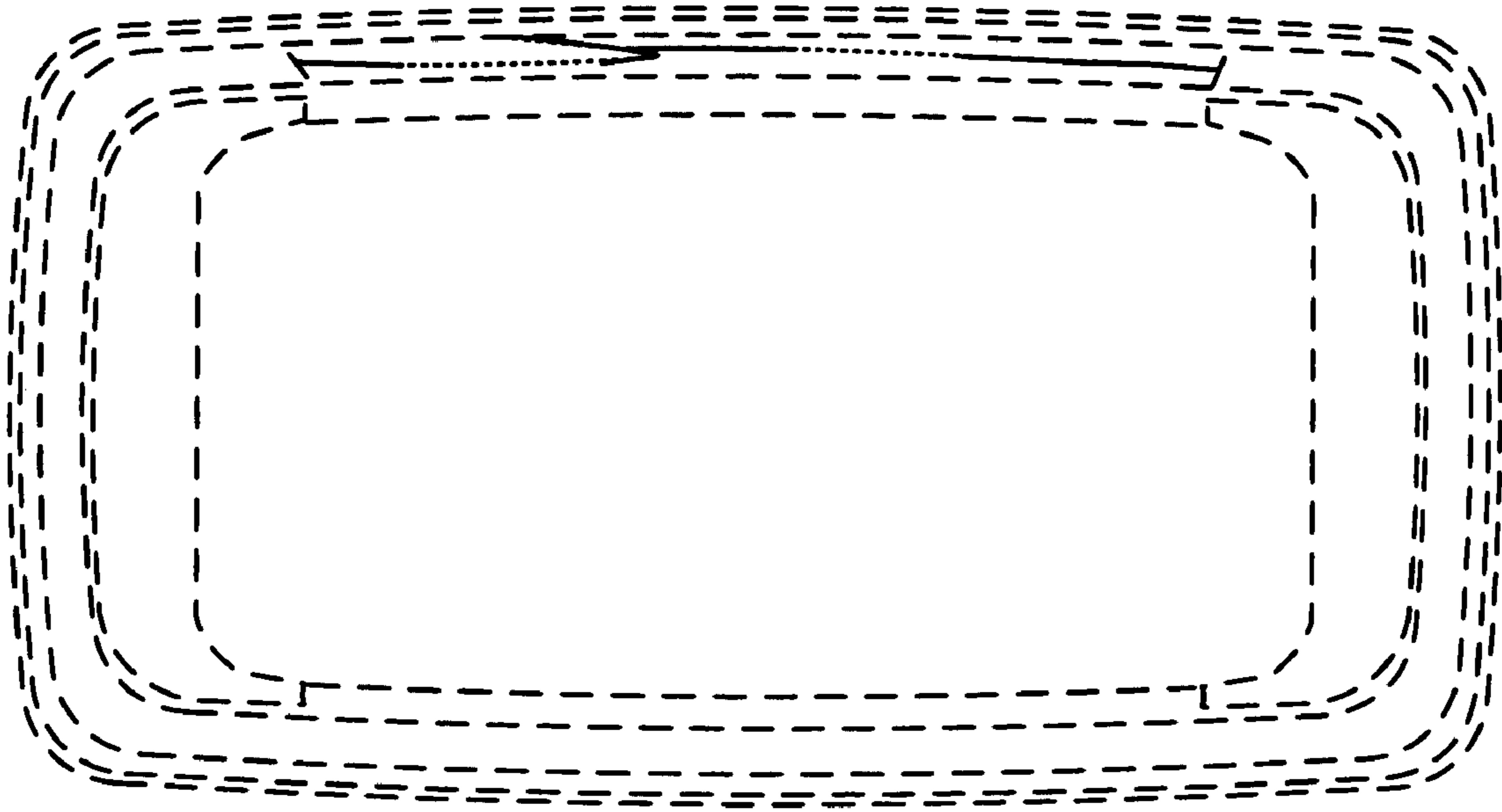


FIG. 7