



US00D602521S

(12) **United States Design Patent**
Saikawa et al.

(10) **Patent No.:** **US D602,521 S**
(45) **Date of Patent:** **** Oct. 20, 2009**

(54) **INK CARTRIDGE FOR PRINTER**
(75) Inventors: **Hideo Saikawa**, Tokyo (JP); **Kazuhiko Miyahara**, Kanagawa-ken (JP); **Shogo Kawamura**, Shizuoka-ken (JP); **Ryoichiro Kurobe**, Kanagawa-ken (JP)

(73) Assignee: **Canon Kabushiki Kaisha**, Tokyo (JP)

(**) Term: **14 Years**

(21) Appl. No.: **29/323,859**

(22) Filed: **Sep. 2, 2008**

(30) **Foreign Application Priority Data**

Mar. 5, 2008 (JP) 2008-005374

(51) **LOC (9) Cl.** **18-02**

(52) **U.S. Cl.** **D18/56**

(58) **Field of Classification Search** D18/18,
D18/43, 50, 56-59, 99; 347/29, 50, 86-87
See application file for complete search history.

(56) **References Cited**

U.S. PATENT DOCUMENTS

D314,209	S	*	1/1991	McClelland et al.	D18/56
5,585,826	A	*	12/1996	Schroeder et al.	347/29
D395,445	S	*	6/1998	Tokuda et al.	D18/56
D457,184	S	*	5/2002	Boyd et al.	D18/56
D464,371	S	*	10/2002	Boyd et al.	D18/56
D466,928	S	*	12/2002	Boyd et al.	D18/56
D481,756	S	*	11/2003	Shinada et al.	D18/56
D488,504	S	*	4/2004	Yamada et al.	D18/56
D529,084	S	*	9/2006	Myers et al.	D18/56
D534,582	S	*	1/2007	Tajima et al.	D18/56

D535,326	S	*	1/2007	Chang	D18/56
D535,688	S	*	1/2007	Tajima et al.	D18/56
D538,335	S	*	3/2007	Chang	D18/56
D540,377	S		4/2007	Hatasa et al.	D18/56
D542,345	S	*	5/2007	Hayashi et al.	D18/56
D548,780	S	*	8/2007	Hayashi et al.	D18/56
D571,396	S	*	6/2008	Nip	D18/56
7,465,021	B2	*	12/2008	Toge et al.	347/50
D597,595	S	*	8/2009	Nip	D18/56
2008/0252705	A1	*	10/2008	Amma et al.	347/87
2009/0051746	A1	*	2/2009	Asauchi	347/86

* cited by examiner

Primary Examiner—Philip S Hyder

Assistant Examiner—Susan E Krakower

(74) *Attorney, Agent, or Firm*—Fitzpatrick, Cella, Harper & Scinto

(57) **CLAIM**

The ornamental design for an ink cartridge for printer, as shown and described.

DESCRIPTION

FIG. 1 is a front view of an ink cartridge for printer showing our new design;

FIG. 2 is a rear view thereof;

FIG. 3 is a top plan view thereof;

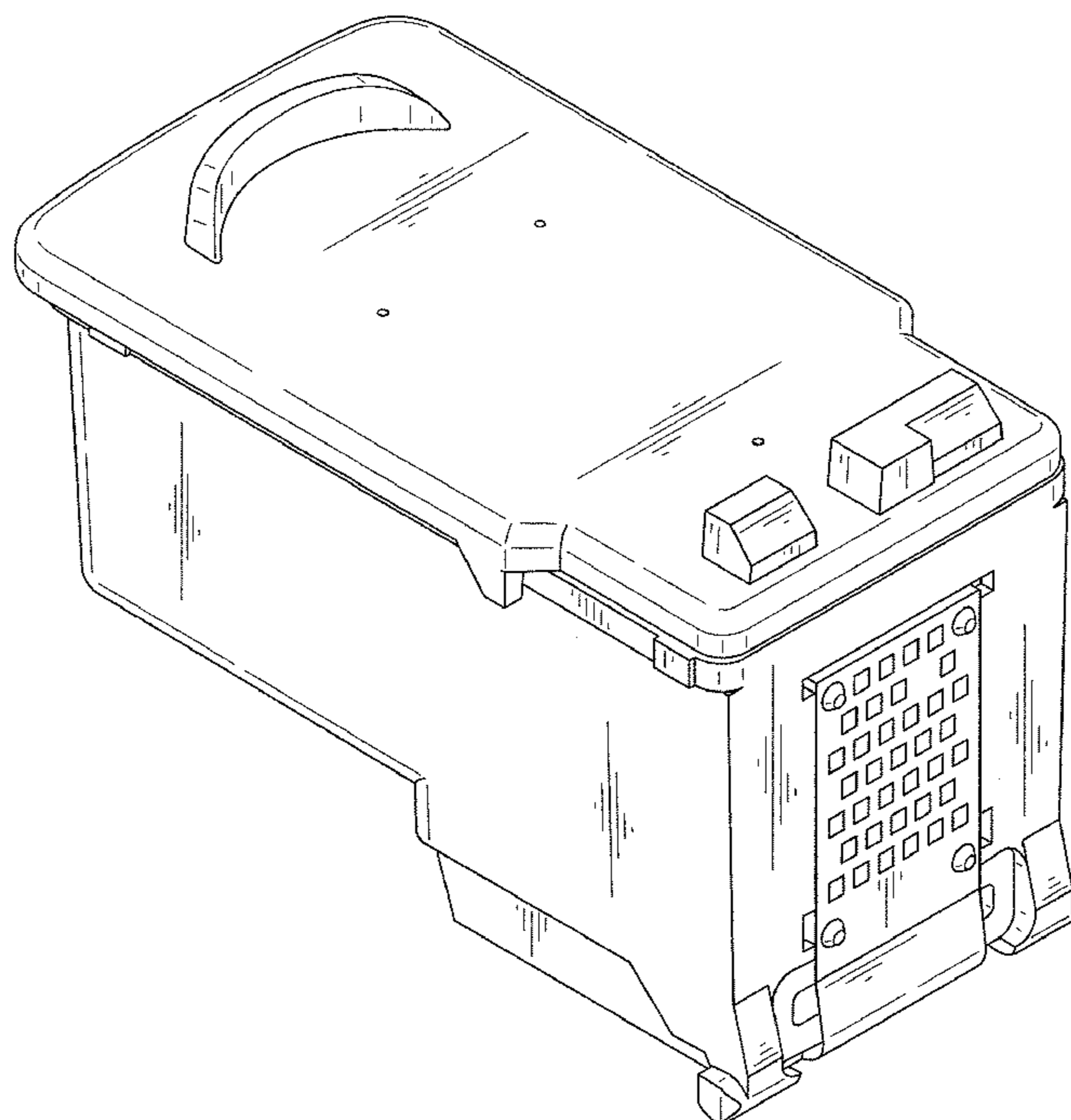
FIG. 4 is a bottom plan view thereof;

FIG. 5 is a left side view thereof;

FIG. 6 is a right side view thereof; and,

FIG. 7 is a perspective view thereof.

1 Claim, 4 Drawing Sheets



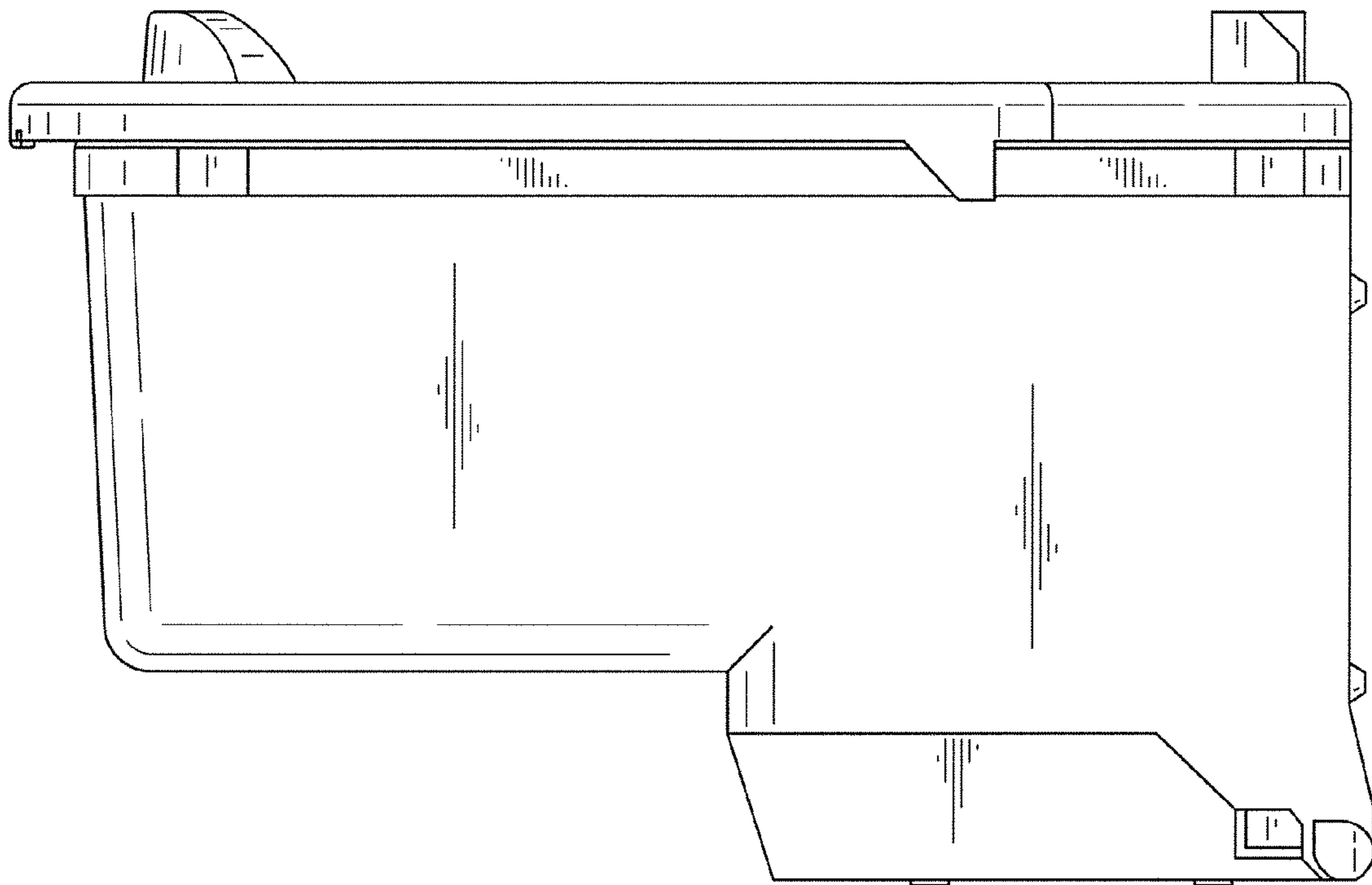


FIG. 1

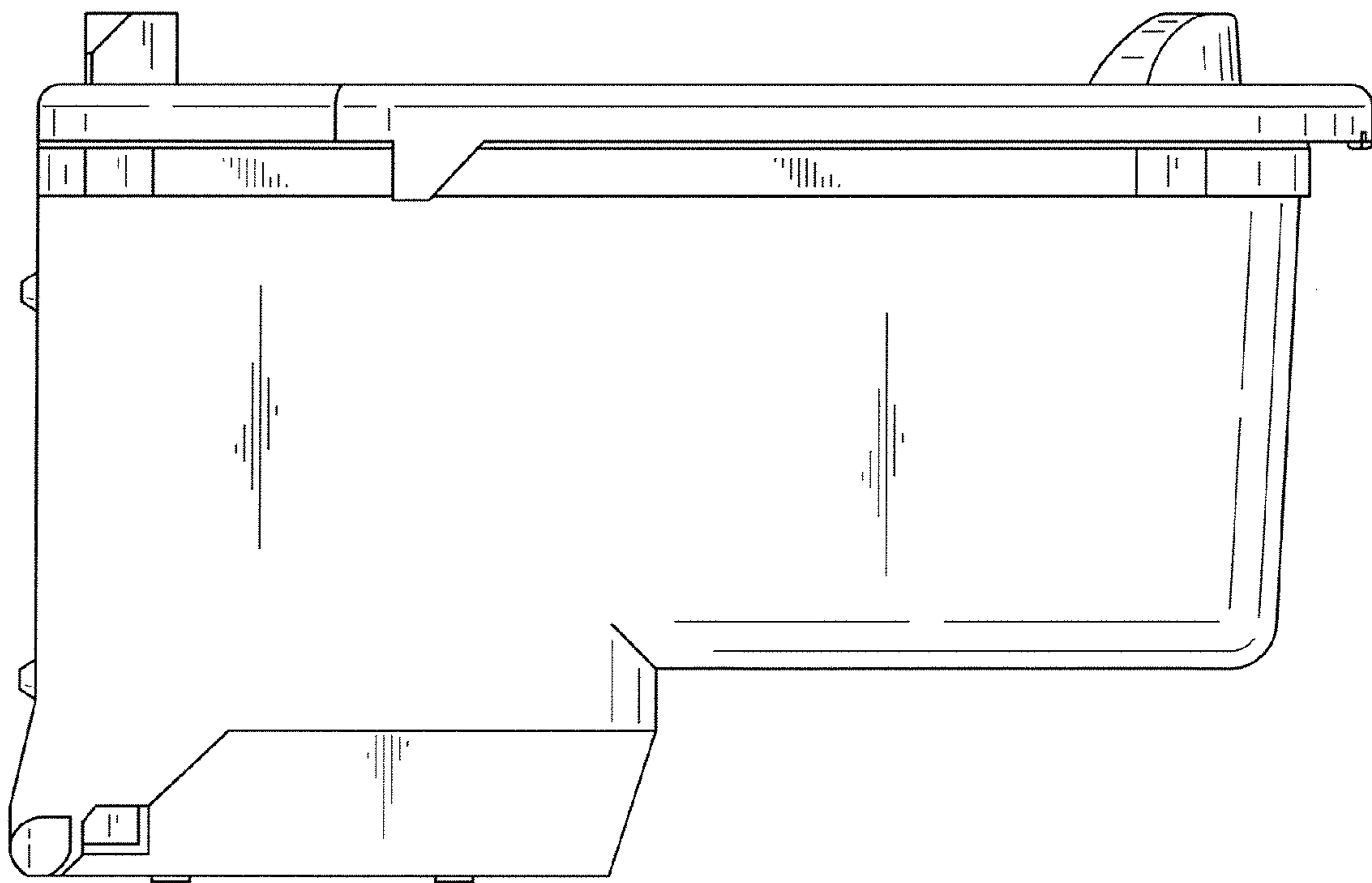


FIG. 2

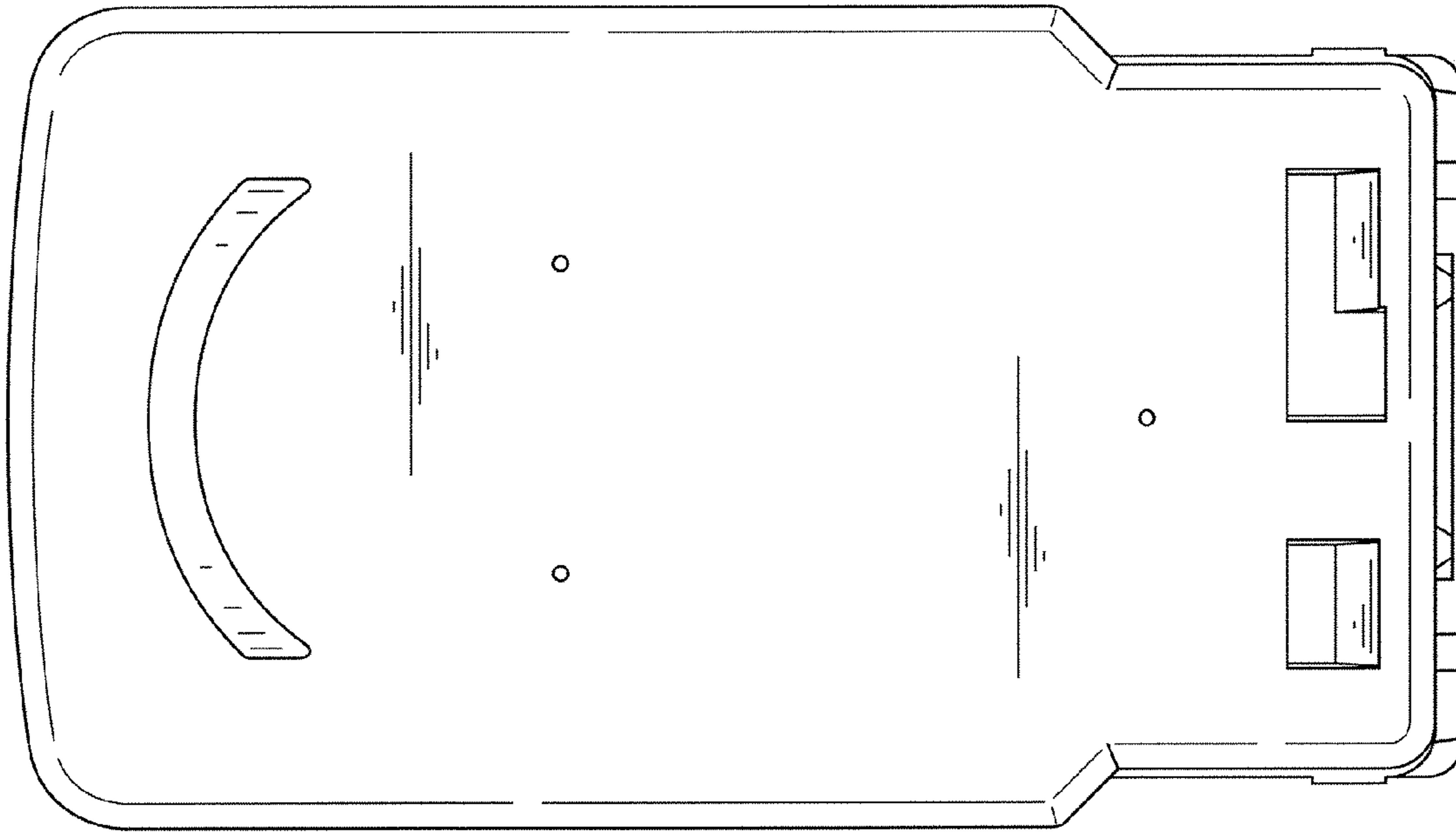


FIG. 3

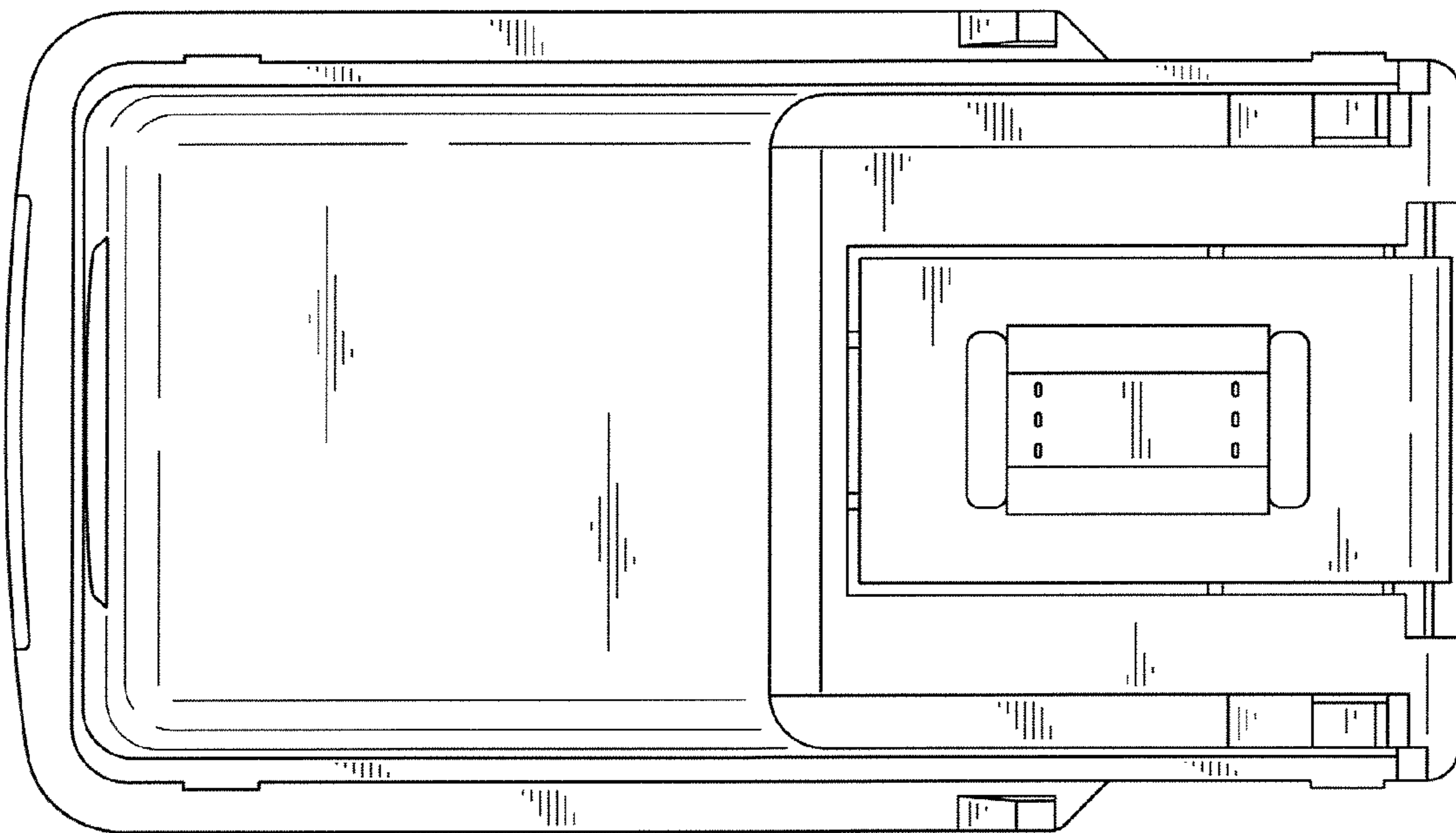


FIG. 4

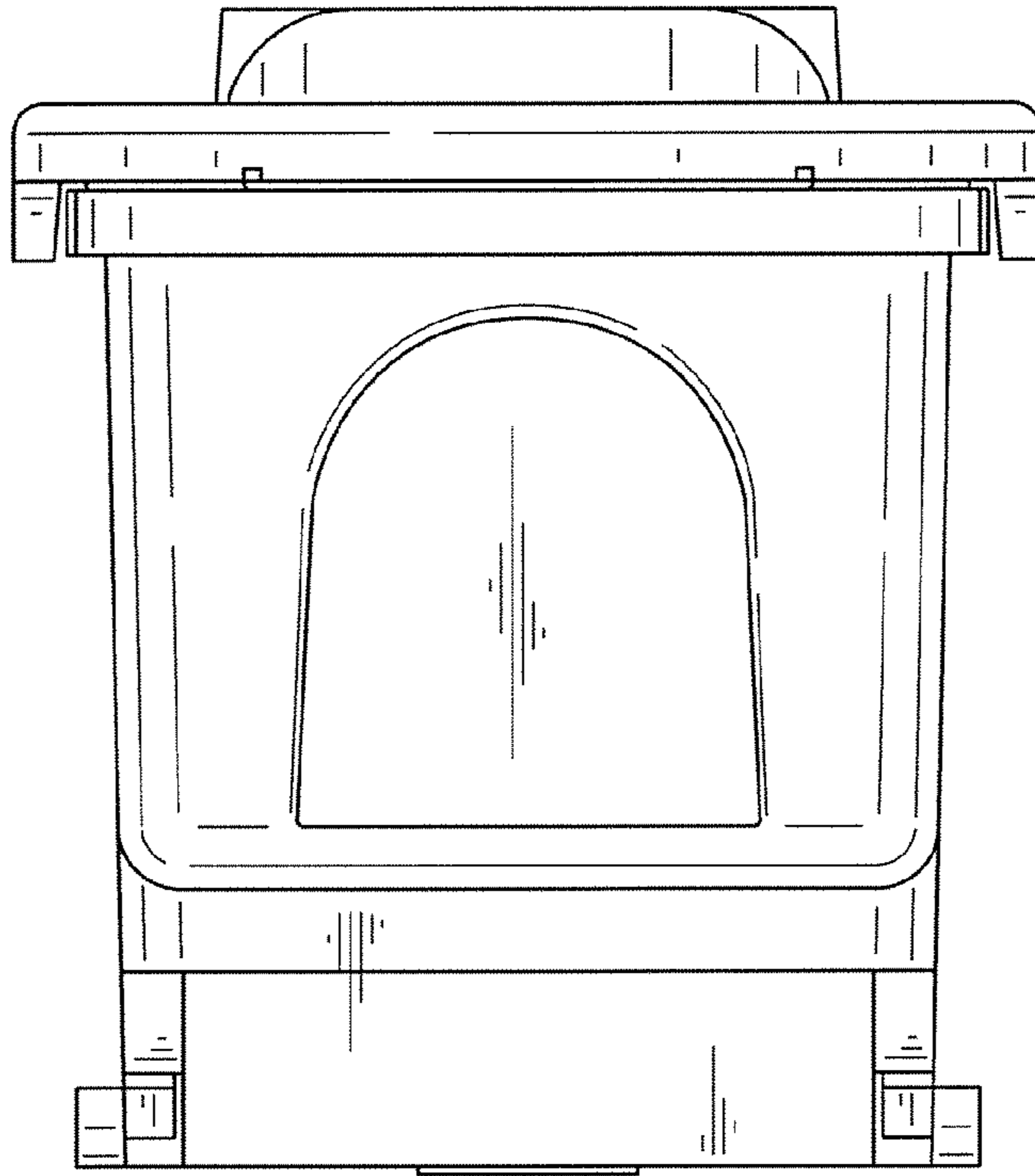


FIG. 5

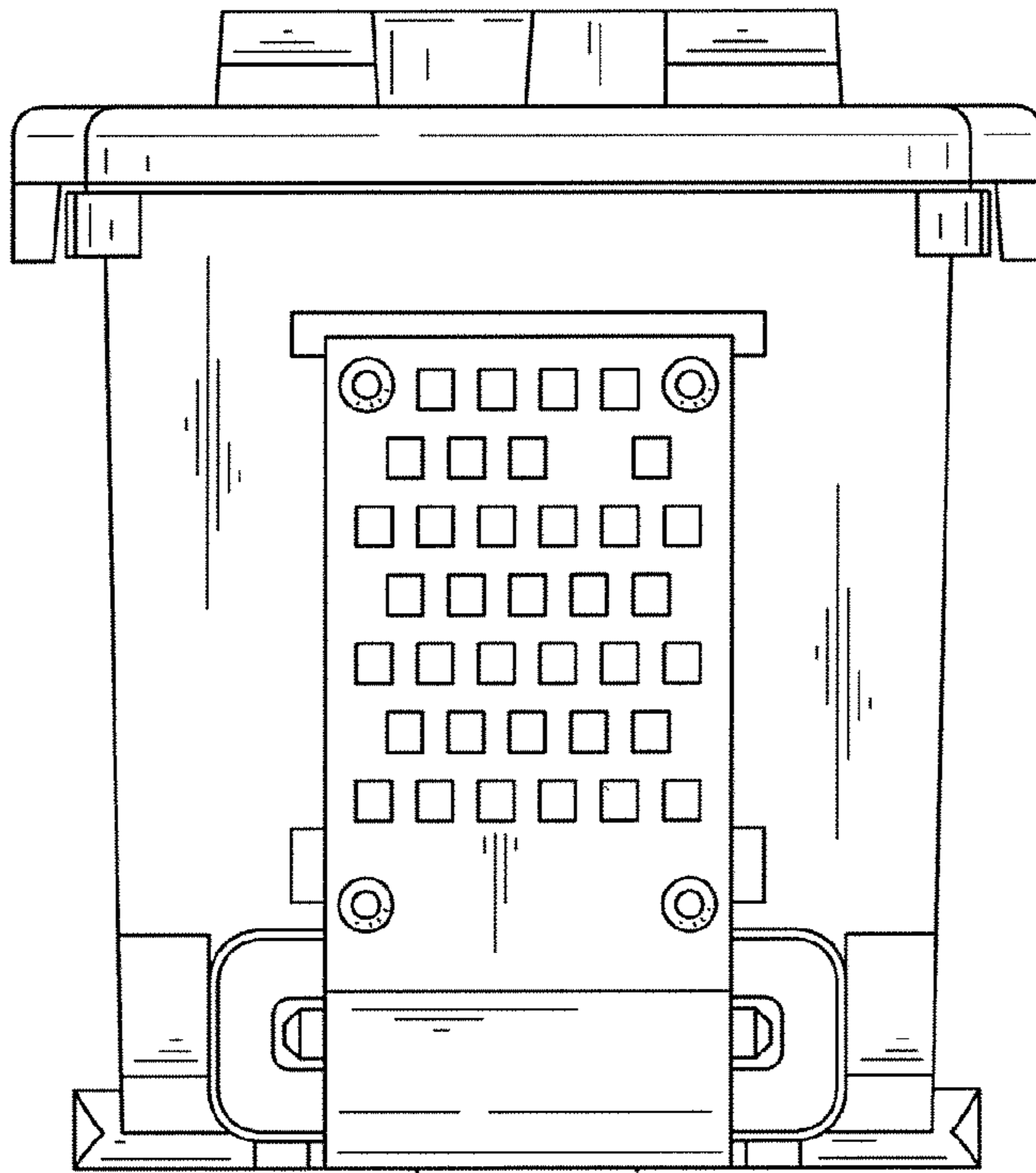


FIG. 6

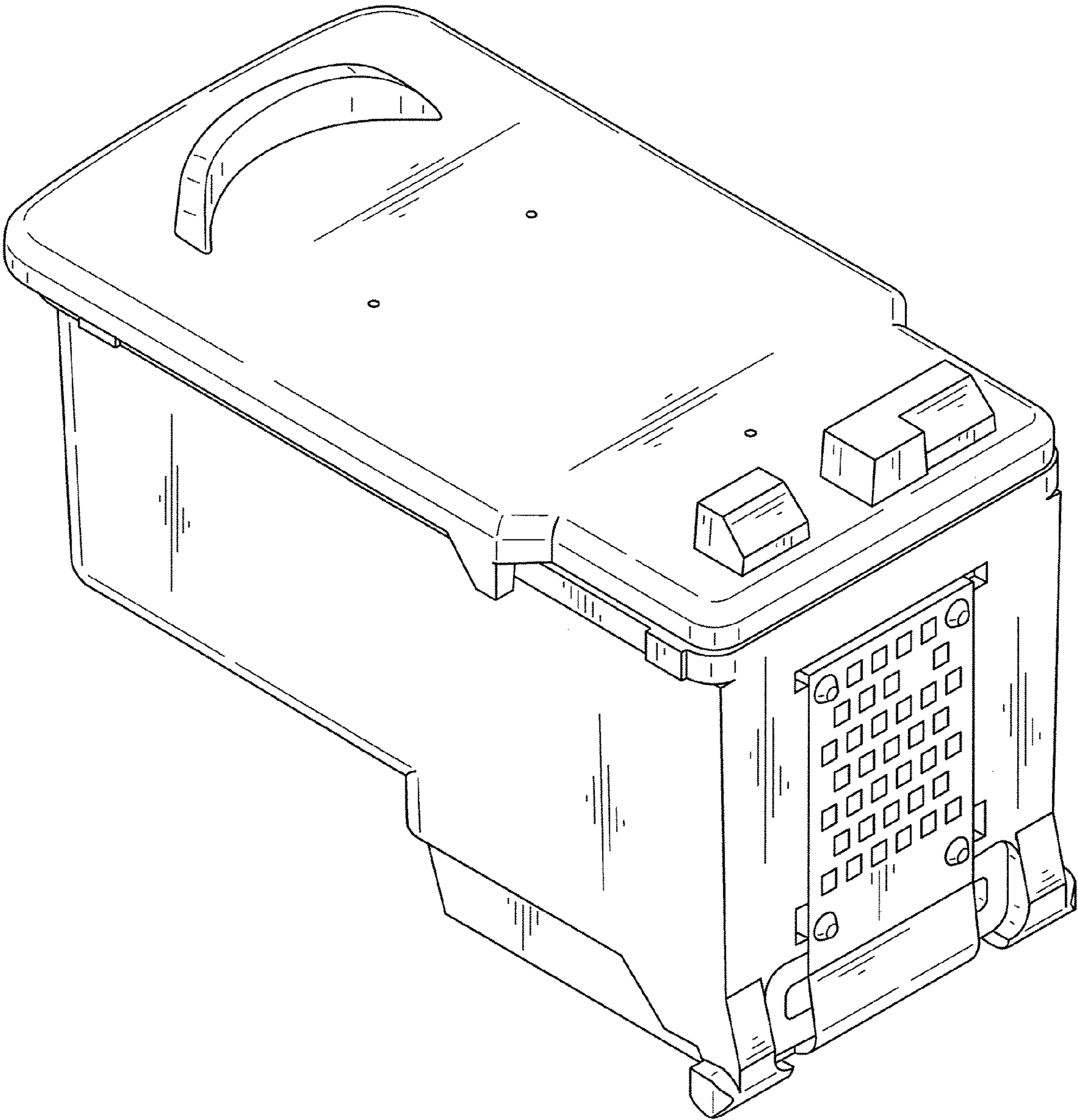


FIG. 7