



US00D602520S

(12) **United States Design Patent**
Kimura et al.

(10) **Patent No.:** **US D602,520 S**

(45) **Date of Patent:** **** Oct. 20, 2009**

(54) **COMBINED LABEL PRINTER AND DISK RECORDER**

(75) Inventors: **Seiji Kimura**, Shiojiri (JP); **Tomohisa Kano**, Shiojiri (JP); **Shoichi Murata**, Yamagata (JP)

(73) Assignee: **Seiko Epson Corporation** (JP)

(**) Term: **14 Years**

(21) Appl. No.: **29/293,811**

(22) Filed: **Dec. 12, 2007**

(30) **Foreign Application Priority Data**

Jul. 3, 2007 (JP) 2007-017883

(51) **LOC (9) Cl.** **14-02**

(52) **U.S. Cl.** **D18/50**

(58) **Field of Classification Search** D18/36-39, D18/19, 50, 54, 54.1, 55; D14/420-425, D14/463-470; 400/613, 613.1-613.4, 690.1-690.4, 400/691-694; 101/288

See application file for complete search history.

(56) **References Cited**

U.S. PATENT DOCUMENTS

- 4,996,539 A * 2/1991 Haraga et al. 101/288
- D325,927 S * 5/1992 Fushiya D18/54
- D350,150 S * 8/1994 Weitkamp D18/50
- D446,544 S * 8/2001 Platner et al. D18/50
- D516,121 S * 2/2006 Suzuki et al. D18/55
- D528,587 S * 9/2006 Nakaeda D18/19
- D544,530 S * 6/2007 Omuro et al. D18/50
- 7,284,922 B2 * 10/2007 Takami et al. 400/613

- D558,817 S * 1/2008 Katayama et al. D18/19
- D559,900 S * 1/2008 Kimura et al. D18/50
- D579,487 S * 10/2008 Yamada D18/50

* cited by examiner

Primary Examiner—Cathy Anne MacCormac

(74) *Attorney, Agent, or Firm*—Harness, Dickey & Pierce, P.L.C.

(57) **CLAIM**

The ornamental design for a combined label printer and disk recorder, as shown and described.

DESCRIPTION

FIG. 1 is a perspective view a combined label printer and disk recorder embodying our new design;

FIG. 2 is a perspective view thereof similar to FIG. 1 but showing a tray in an open position;

FIG. 3 is a front view thereof;

FIG. 4 is a rear view thereof;

FIG. 5 is a left side view thereof;

FIG. 6 is a right side view thereof;

FIG. 7 is a top view thereof;

FIG. 8 is a bottom view thereof;

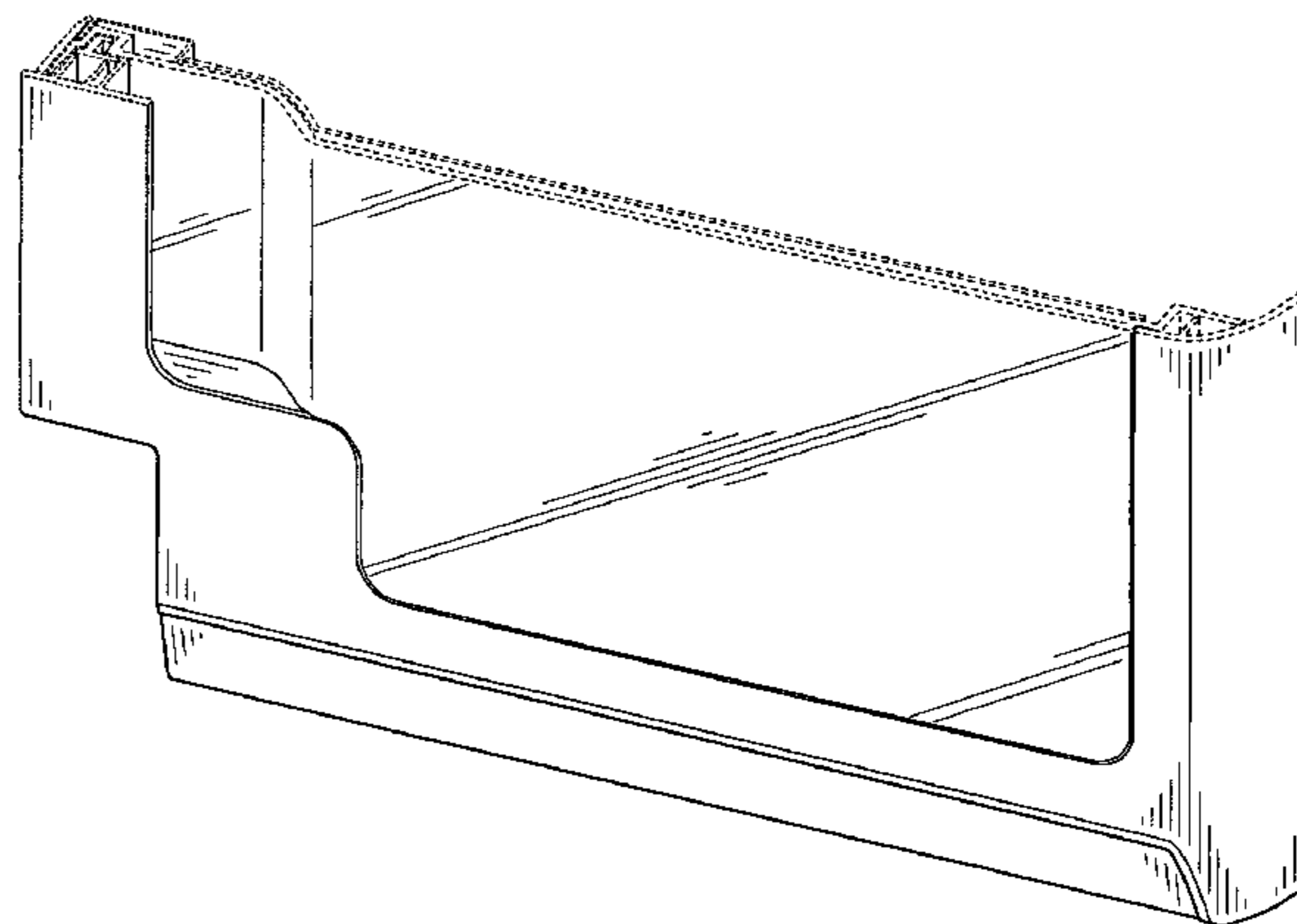
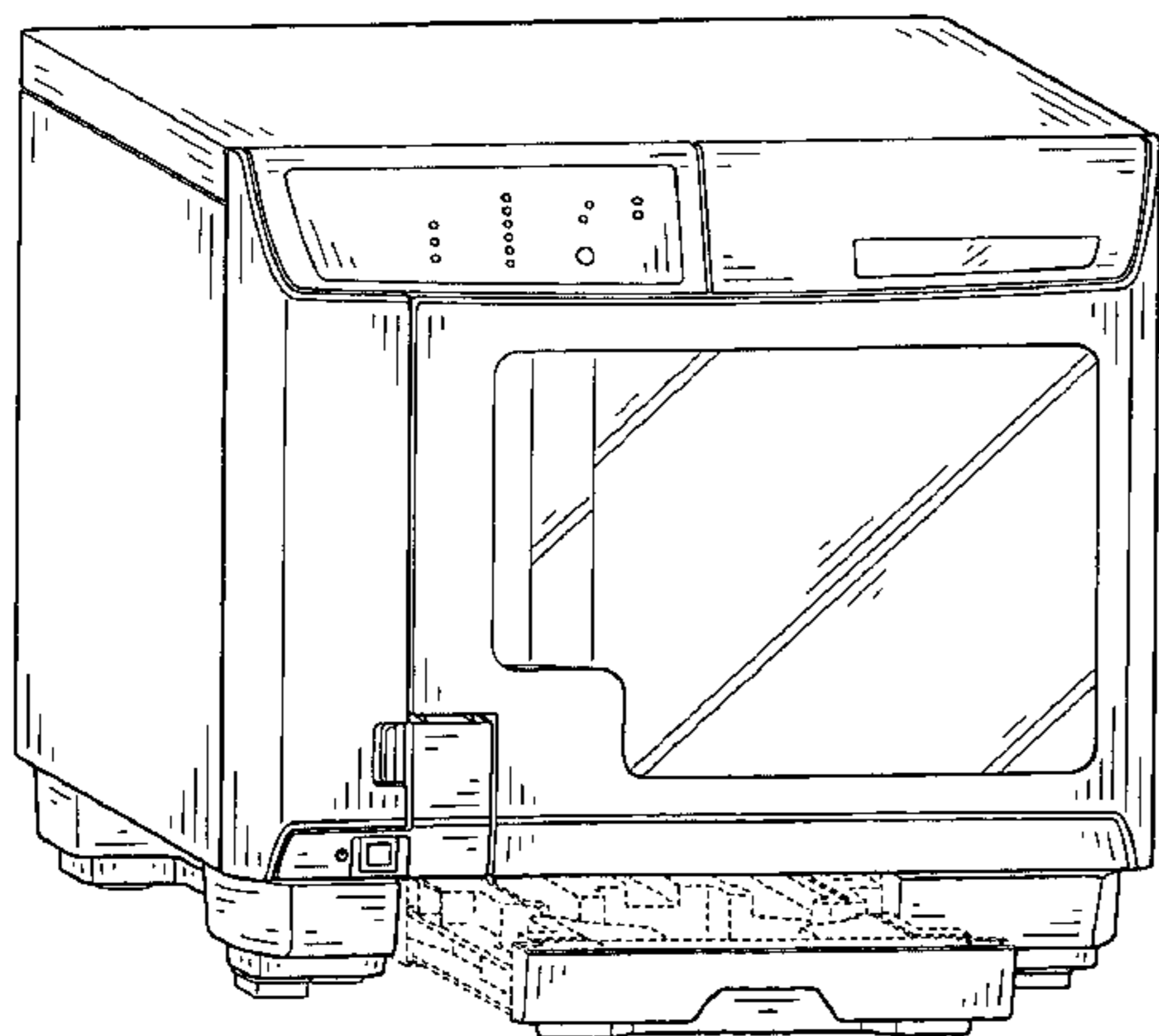
FIG. 9 is a perspective view thereof;

FIG. 10 is a perspective view thereof; and,

FIG. 11 is a partial perspective cross sectional view of the main front door showing the handle for gripping the door.

The broken lines are for illustration only and form no part of the claimed design.

1 Claim, 6 Drawing Sheets



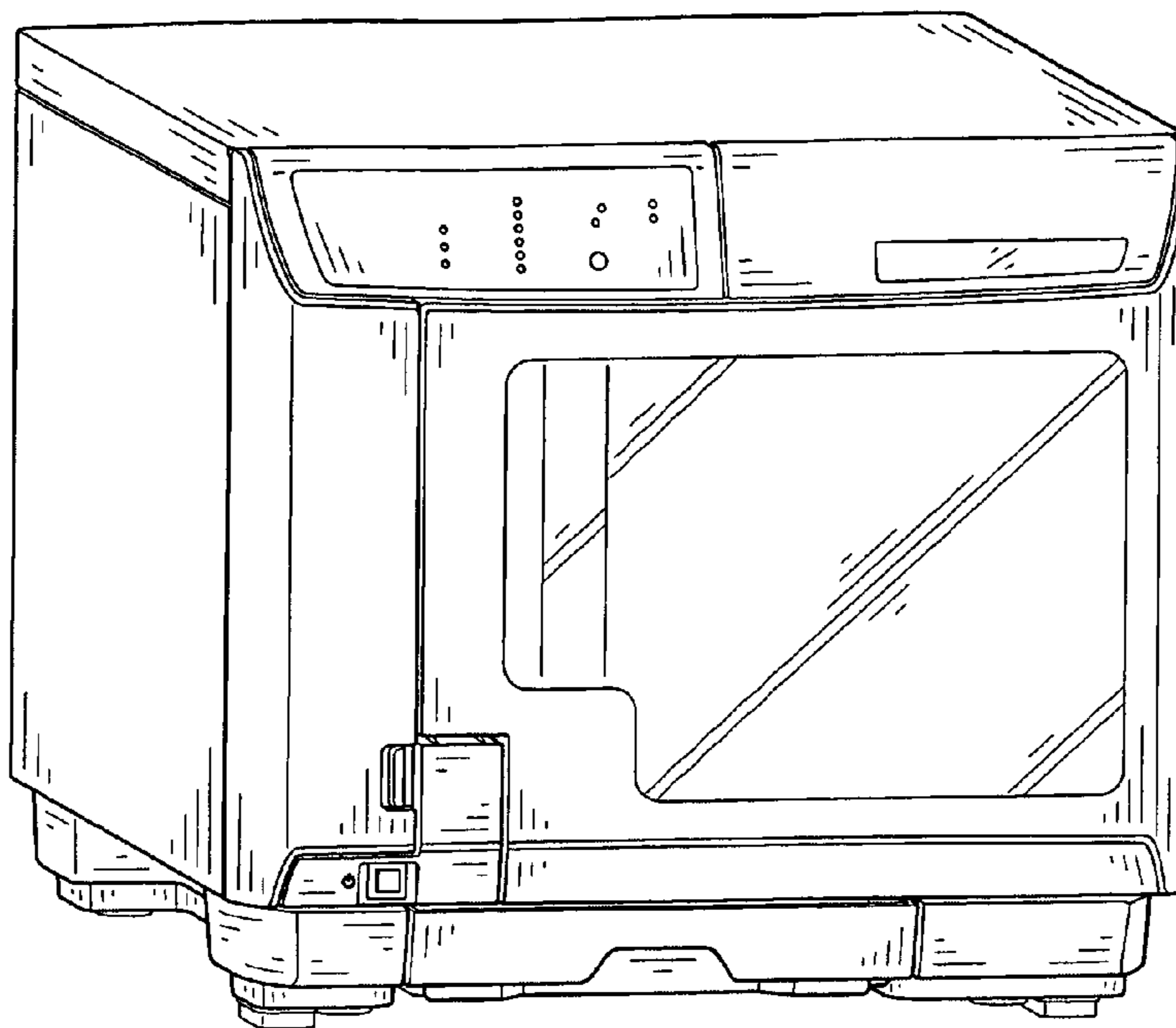


FIG. 1

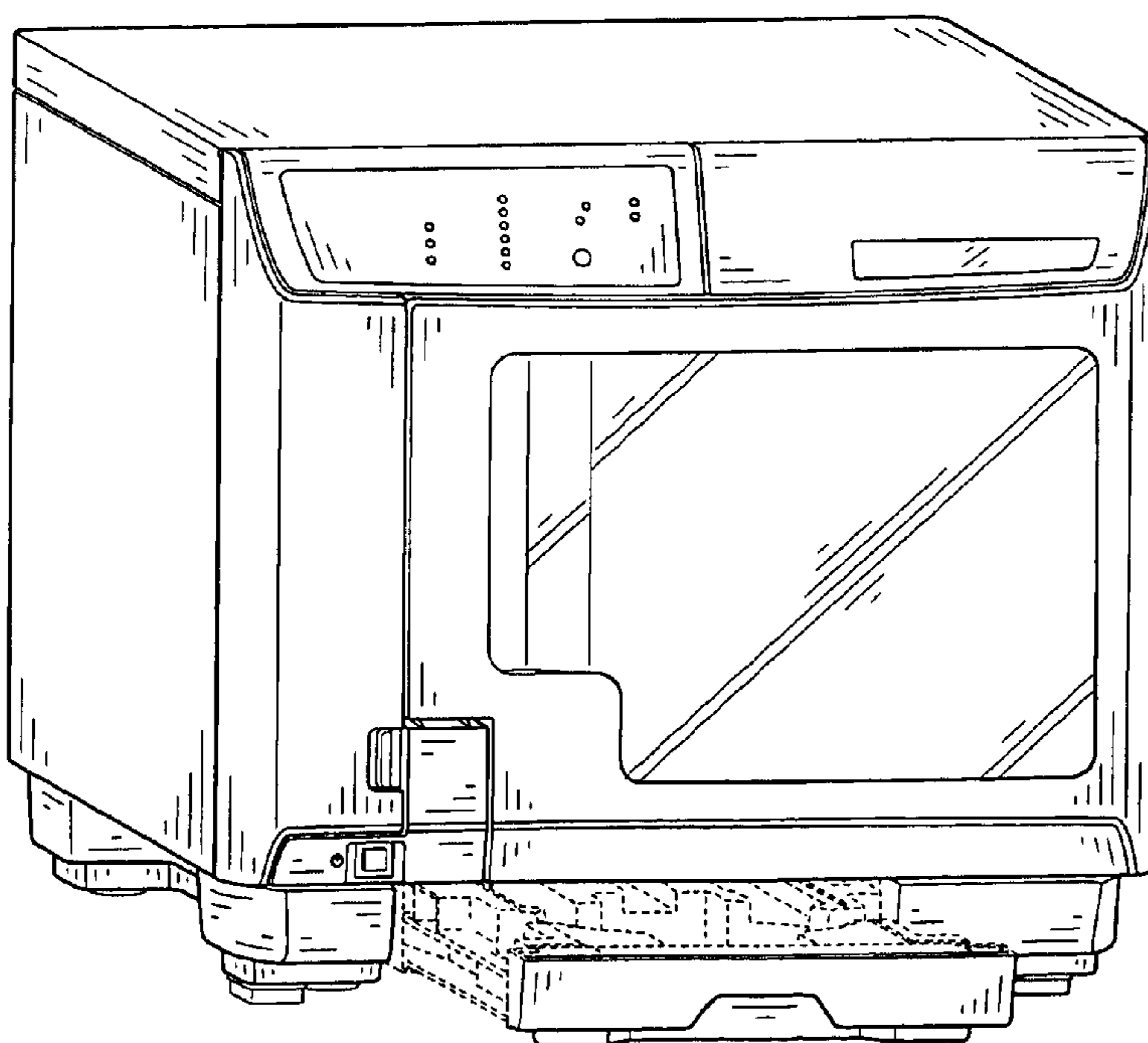


FIG. 2

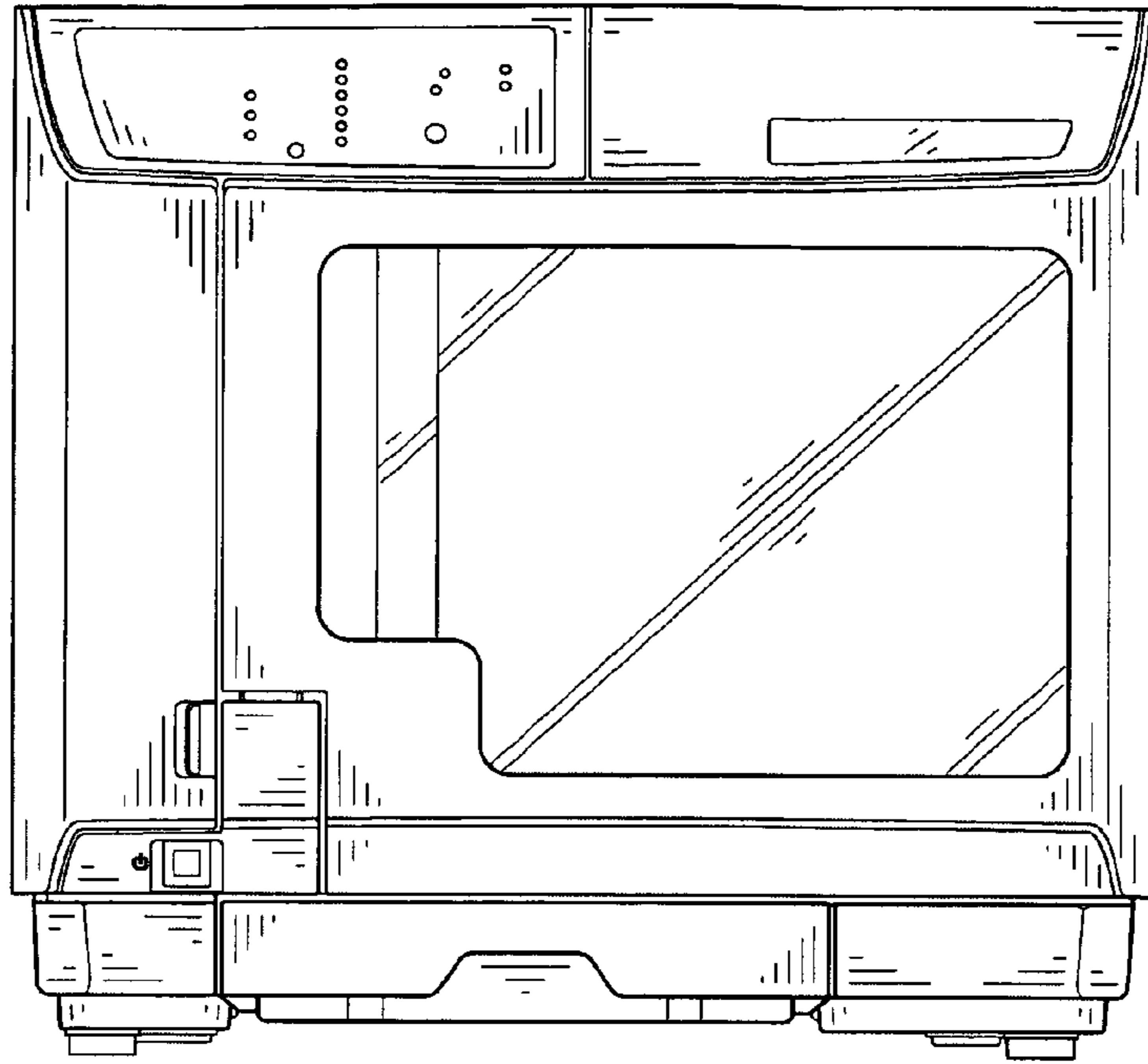


FIG. 3

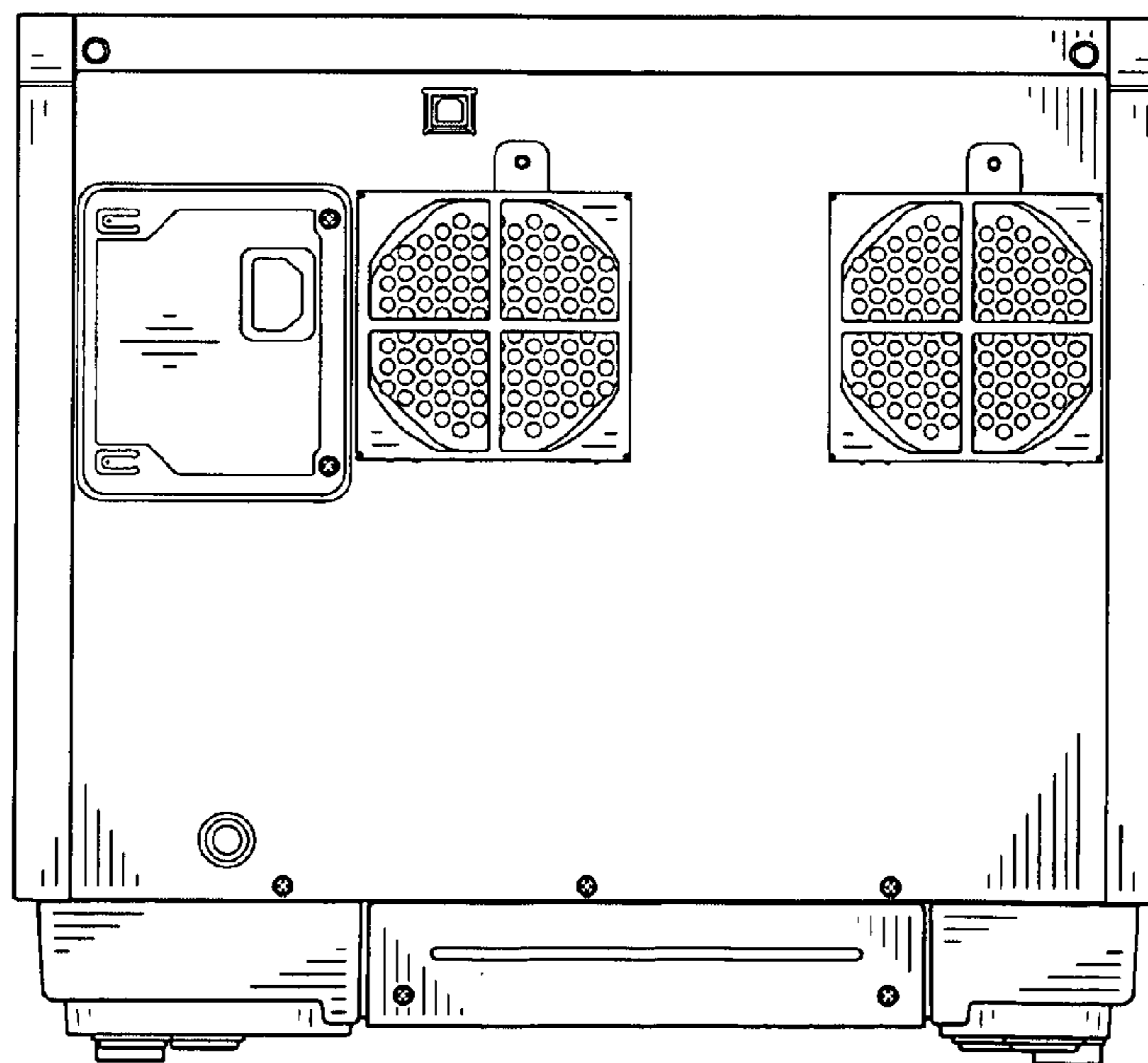


FIG. 4

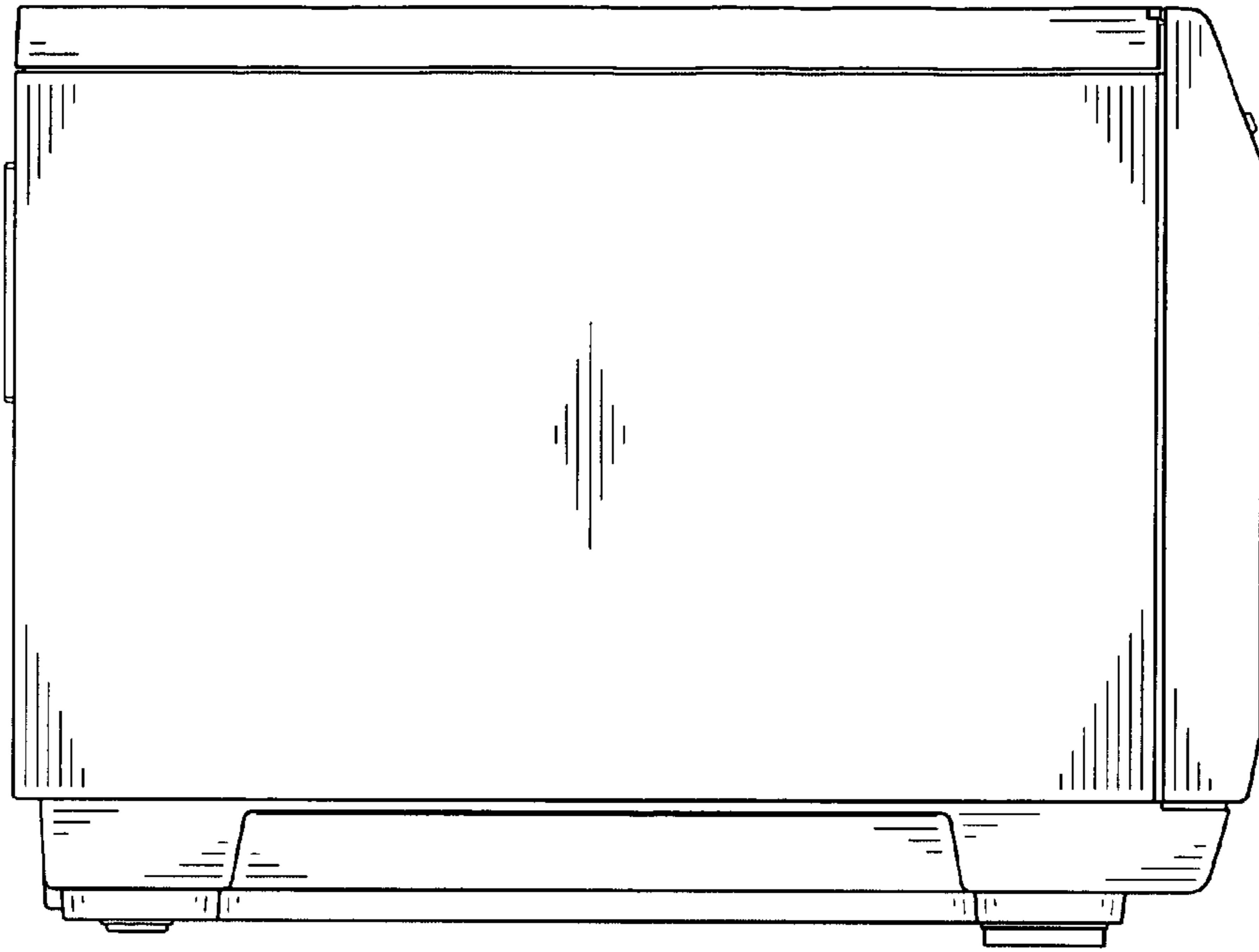


FIG. 5

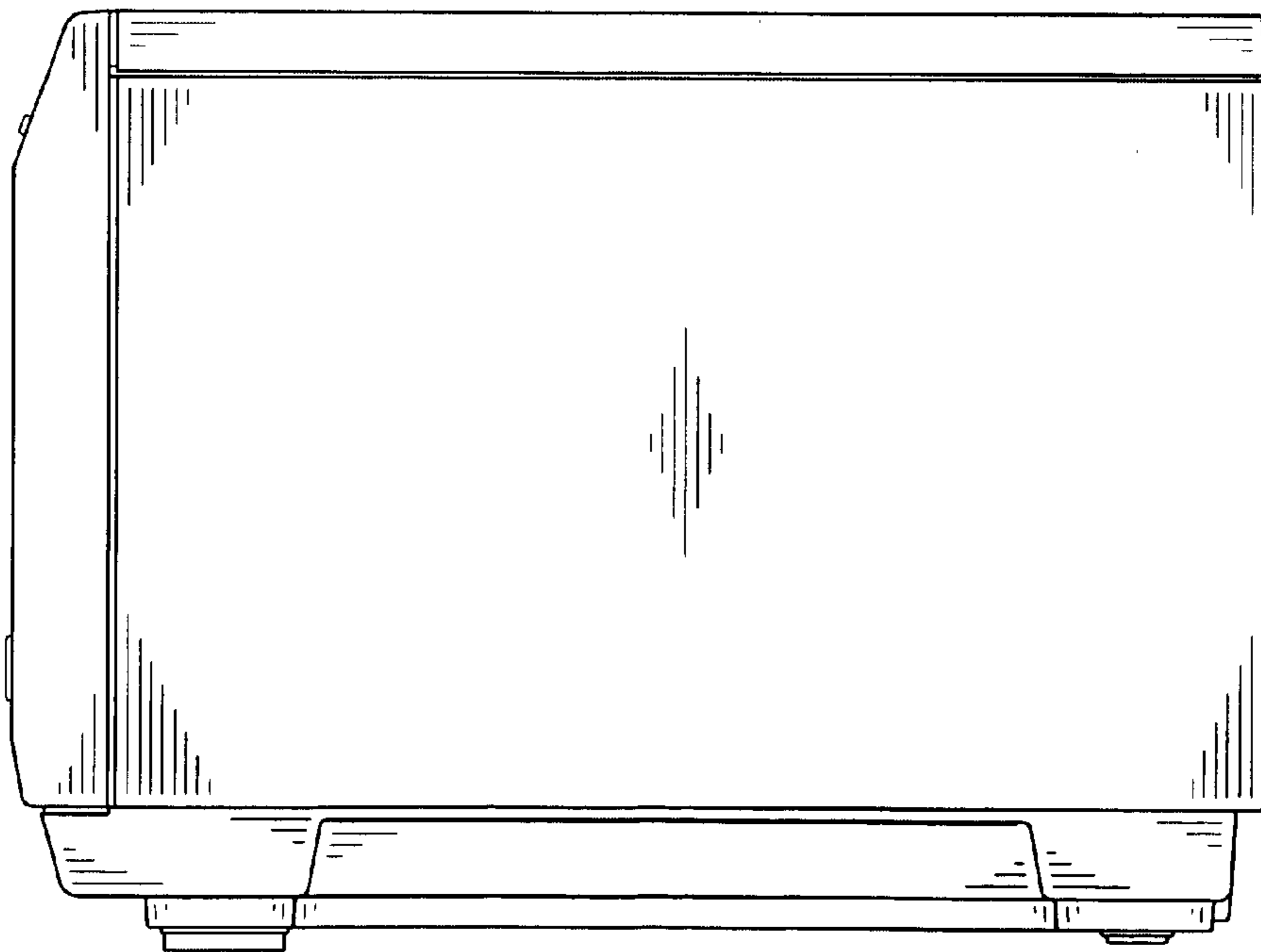


FIG. 6

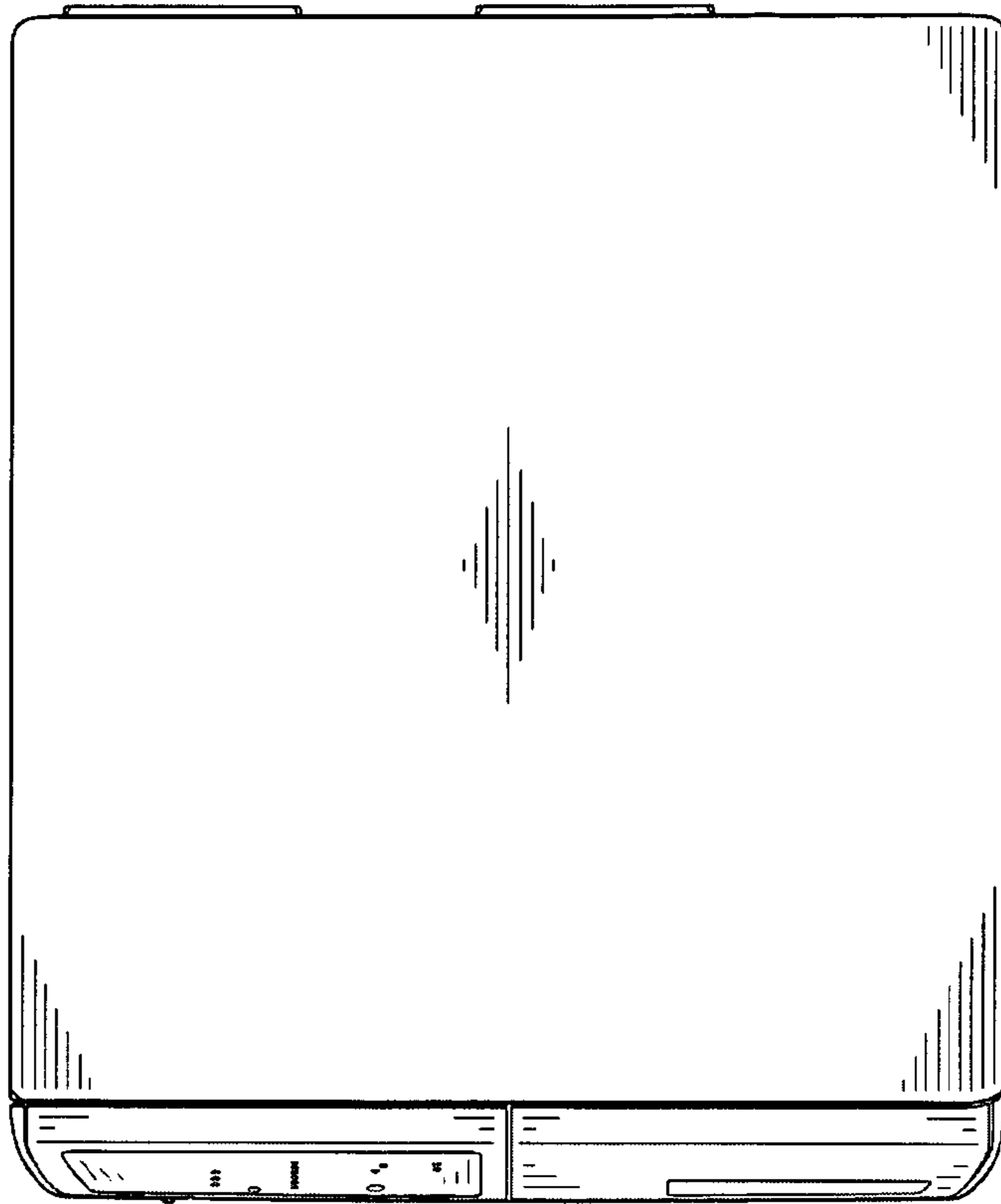


FIG. 7

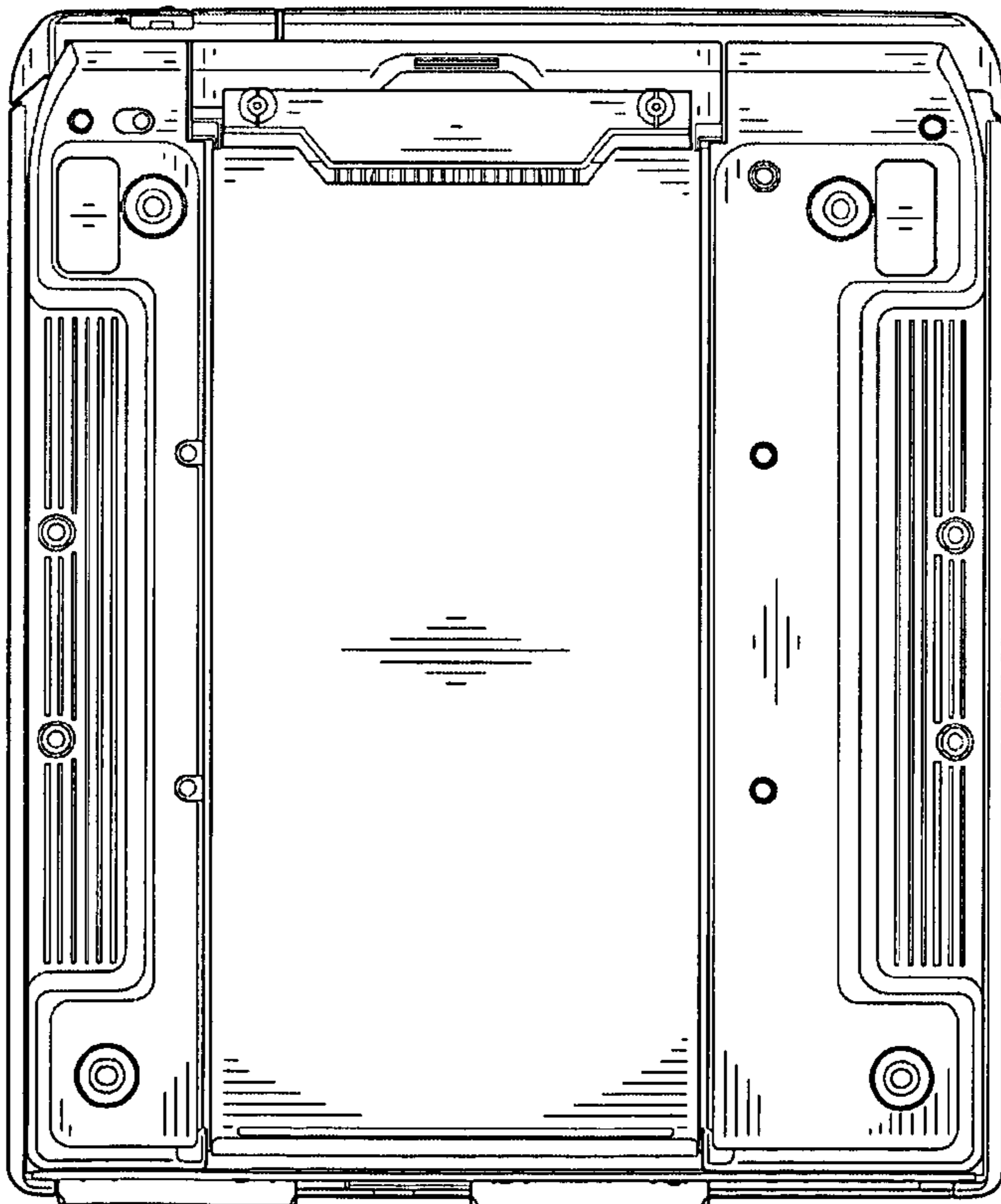


FIG. 8

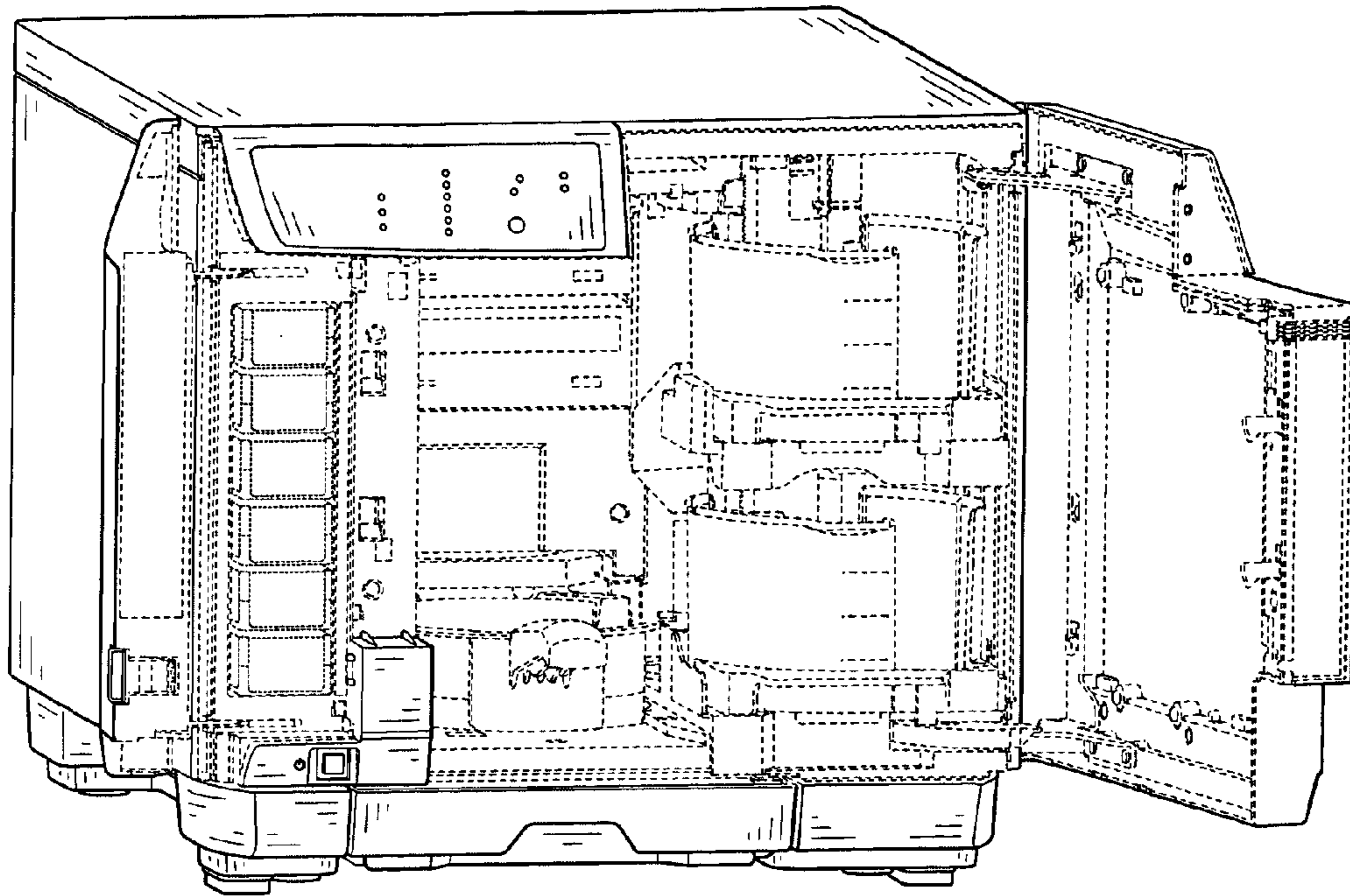


FIG. 9

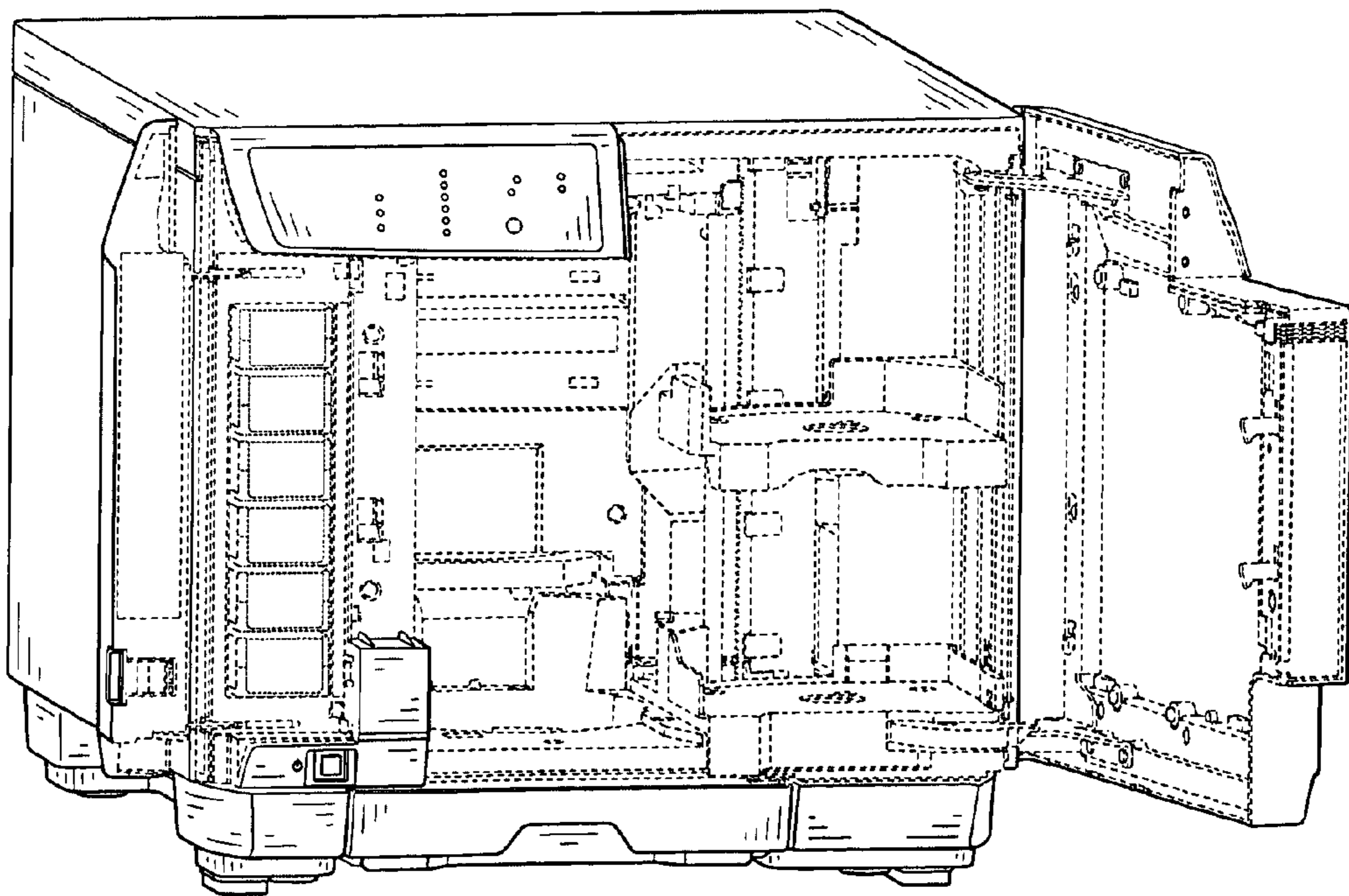


FIG. 10

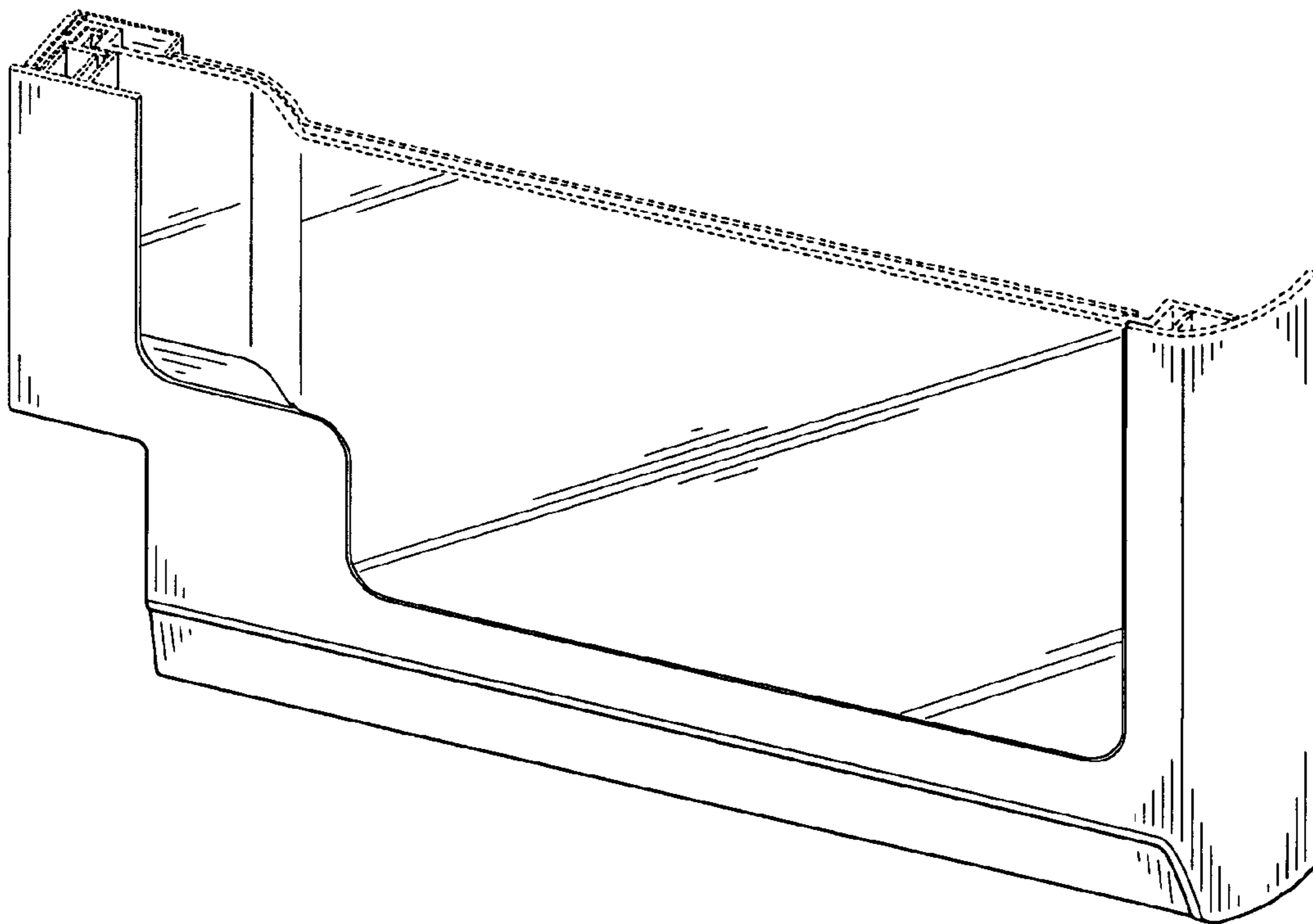


FIG.11