



US00D602519S

(12) **United States Design Patent**
Kurenuma et al.

(10) **Patent No.:** **US D602,519 S**

(45) **Date of Patent:** **** Oct. 20, 2009**

(54) **TONER CARTRIDGE**

(75) Inventors: **Takeroh Kurenuma**, Kanagawa (JP);
Nobuyuki Taguchi, Kanagawa (JP);
Masayuki Yamane, Kanagawa (JP)

(73) Assignee: **Ricoh Company, Ltd.**, Tokyo (JP)

(**) Term: **14 Years**

(21) Appl. No.: **29/269,855**

(22) Filed: **Dec. 11, 2006**

(30) **Foreign Application Priority Data**

Jun. 13, 2006 (JP) 2006-015198

(51) **LOC (9) Cl.** **16-03**

(52) **U.S. Cl.** **D18/43**

(58) **Field of Classification Search** D13/182;
D14/230, 462, 471, 474-477, 481-484; D18/12,
D18/36, 40, 43, 44, 56; 222/DIG. 1; 347/49,
347/214, 222; 399/24-27, 107-111; 400/194,
400/196, 205, 207, 242

See application file for complete search history.

(56) **References Cited**

U.S. PATENT DOCUMENTS

D500,074 S * 12/2004 Naraoka D18/43

D531,662 S * 11/2006 Tsuda et al. D18/43
D532,037 S * 11/2006 Tsuda et al. D18/43
2007/0003296 A1 * 1/2007 Miyata 399/27
2007/0212119 A1 * 9/2007 Kurenuma et al. 399/262
2007/0217798 A1 * 9/2007 Tsuji et al. 399/27

* cited by examiner

Primary Examiner—Caron Veynar

Assistant Examiner—Garth Rademaker

(74) *Attorney, Agent, or Firm*—Dickstein Shapiro LLP

(57) **CLAIM**

The ornamental design for a toner cartridge, as shown and described.

DESCRIPTION

FIG. 1 is a front elevation view of a toner cartridge according to the present invention;

FIG. 2 is a rear elevation view thereof;

FIG. 3 is a top plan view thereof;

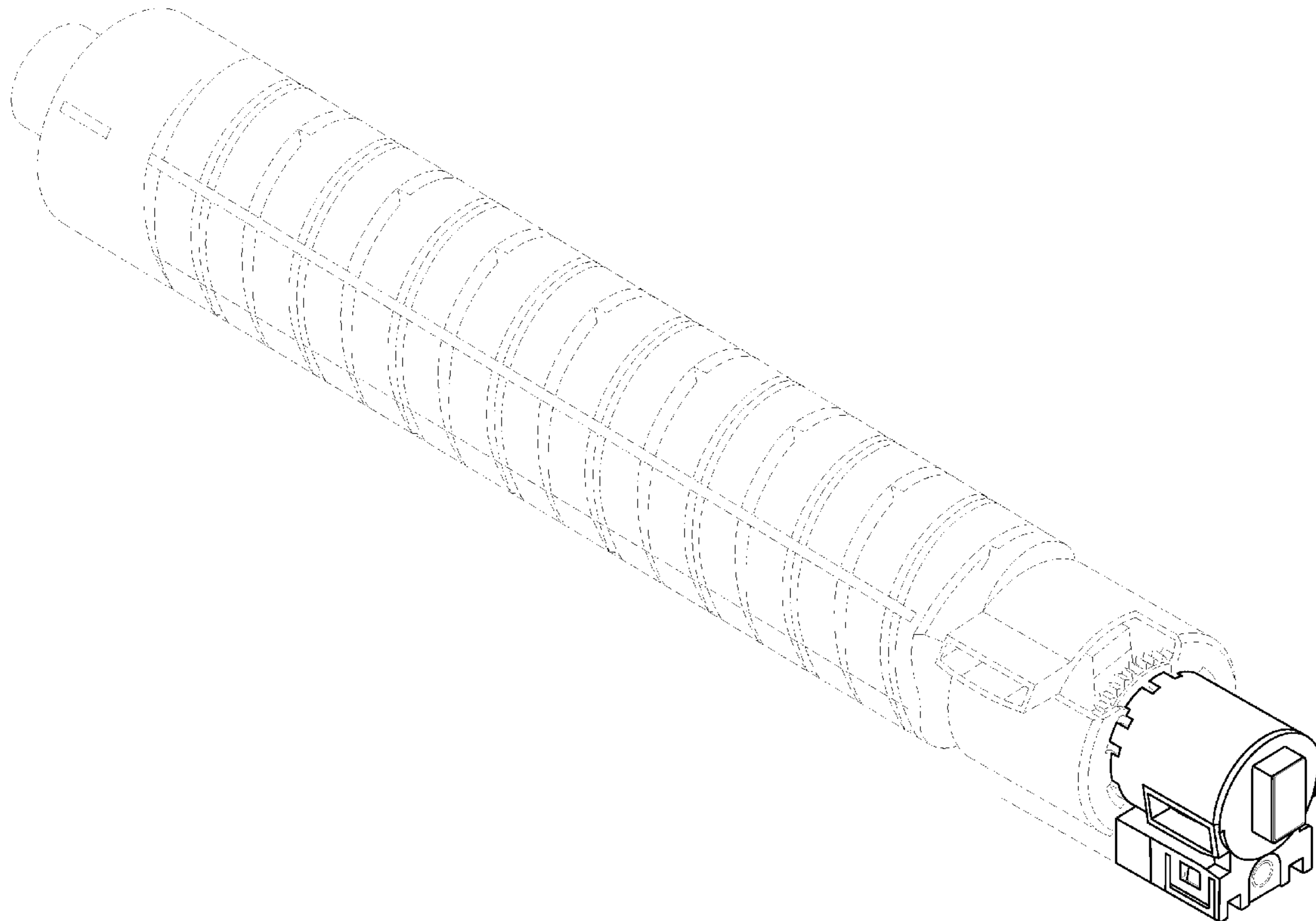
FIG. 4 is a bottom plan view thereof;

FIG. 5 is a right side elevation view thereof;

FIG. 6 is a left side elevation view thereof; and,

FIG. 7 is a top, front and right side perspective view thereof.

1 Claim, 4 Drawing Sheets



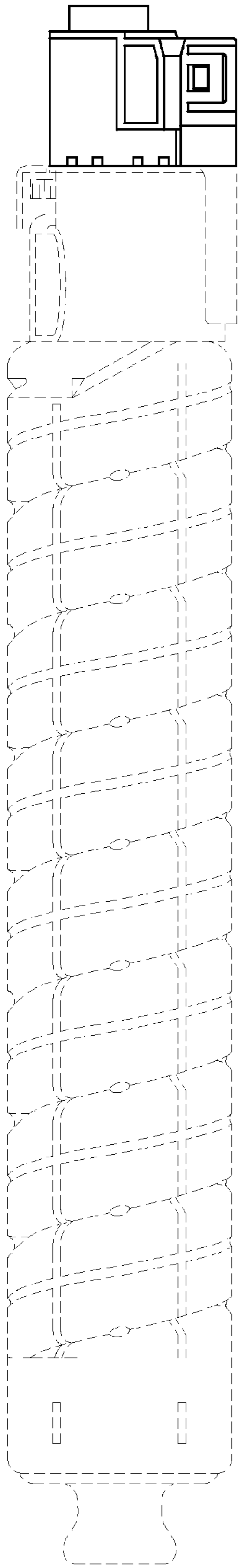


FIG. 1

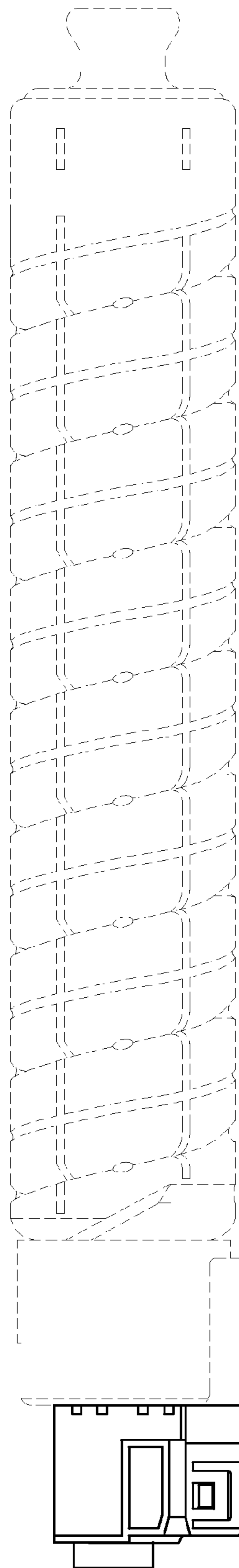


FIG. 2

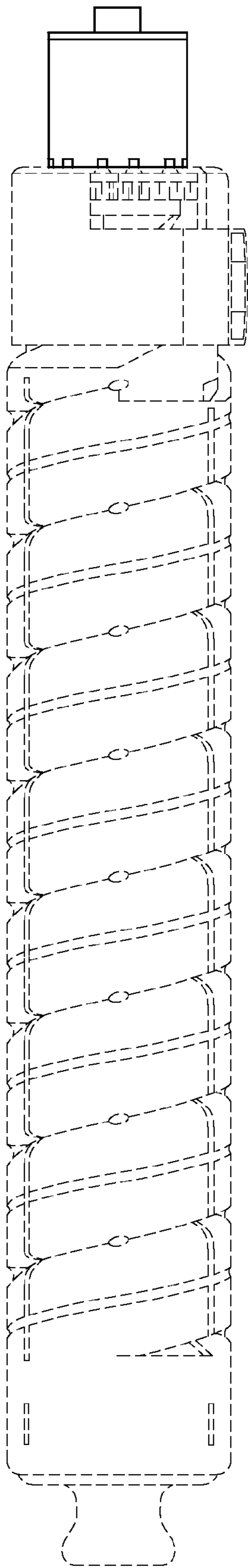


FIG. 3

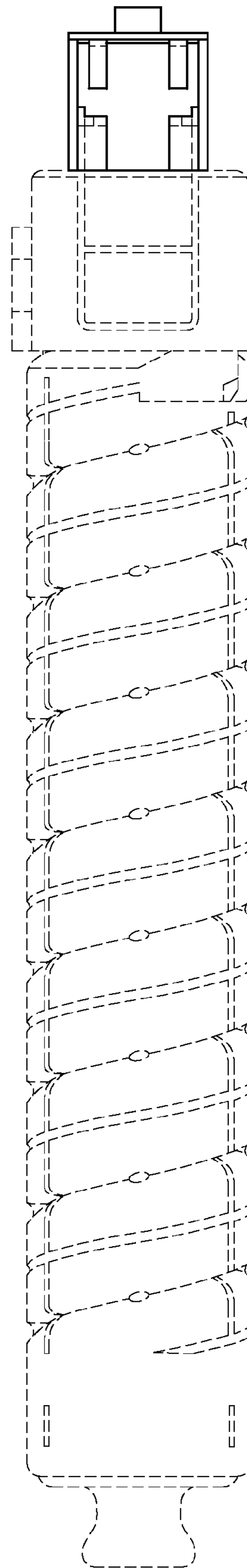


FIG. 4

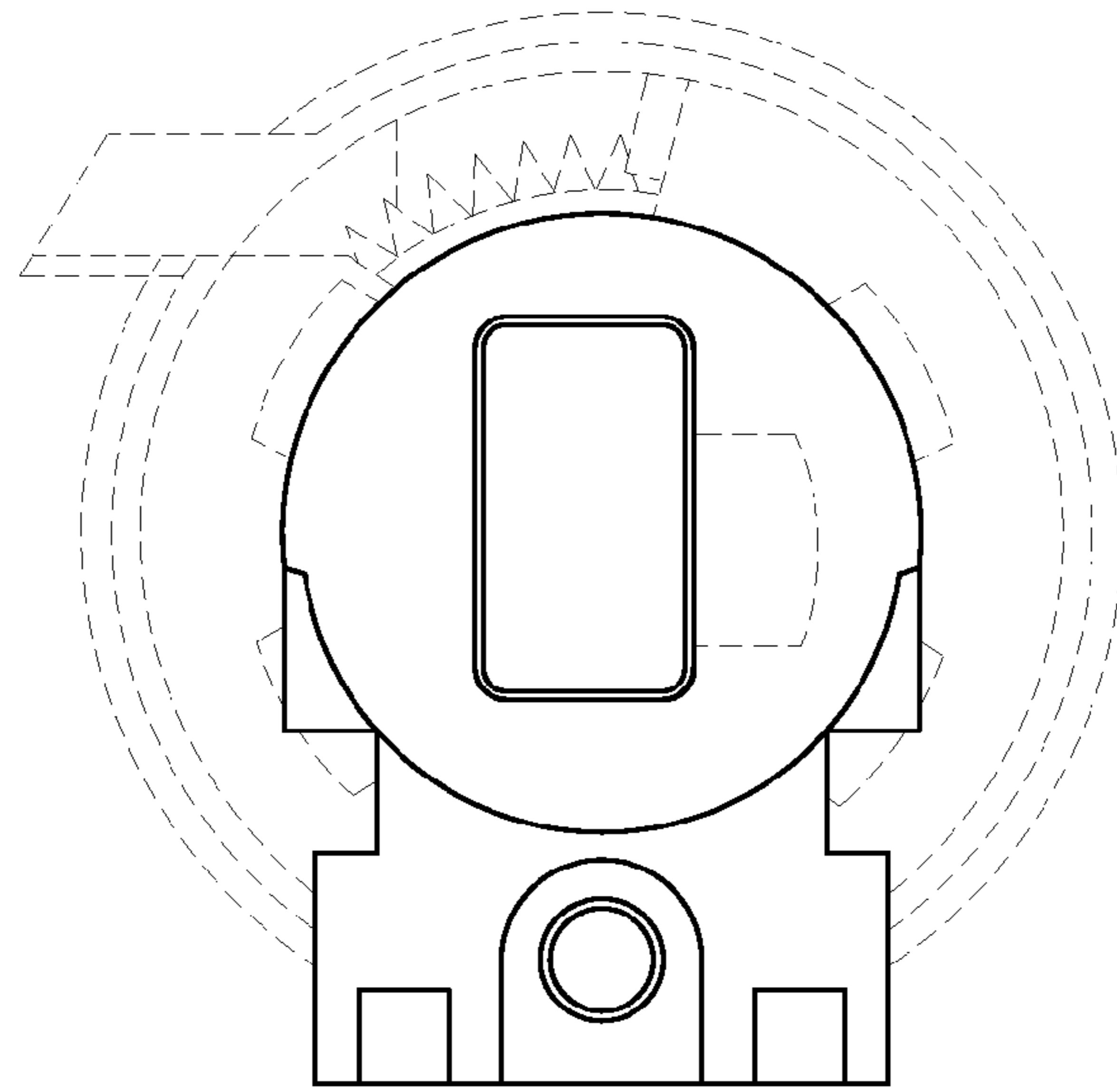


FIG. 5

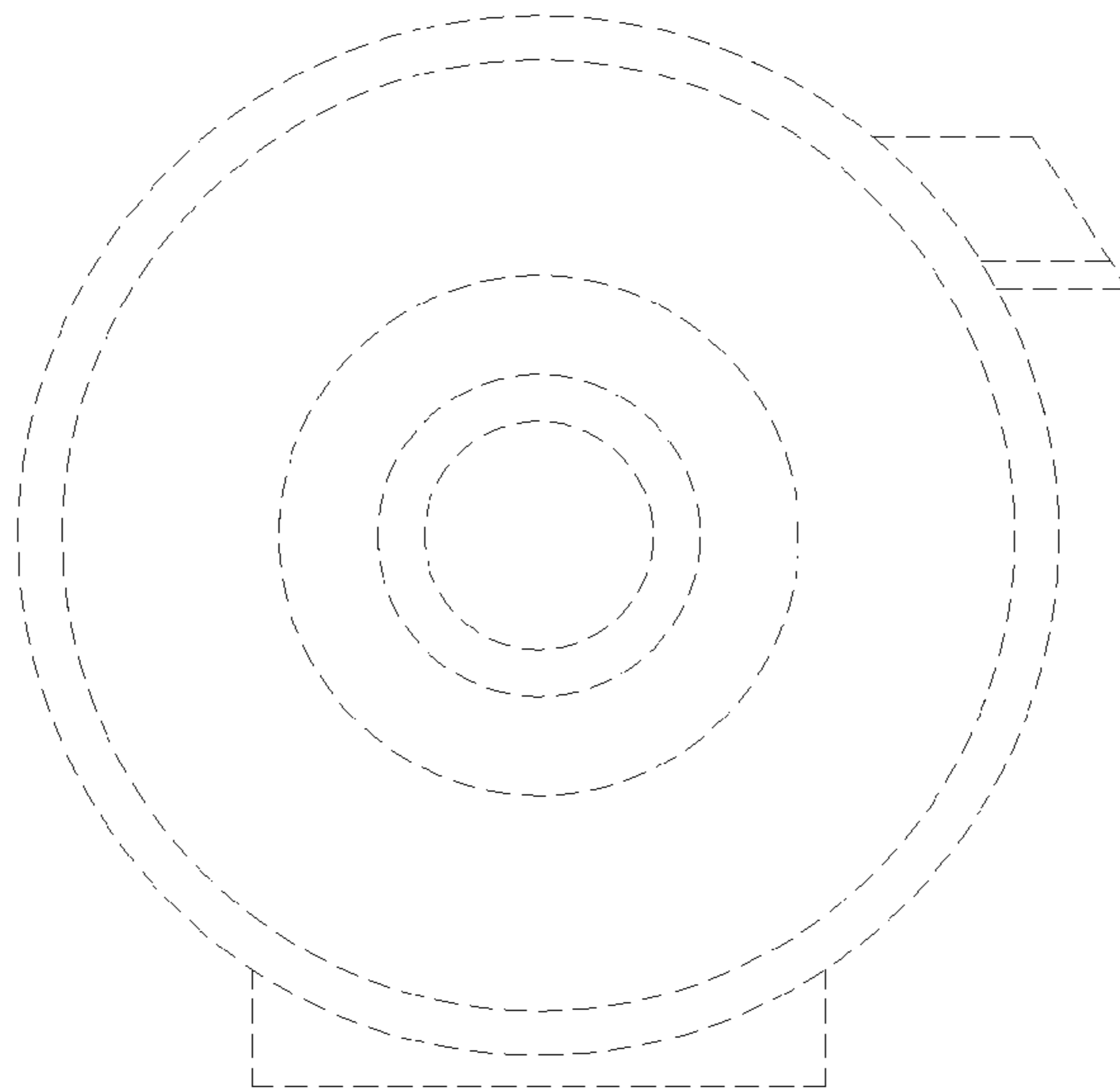


FIG. 6

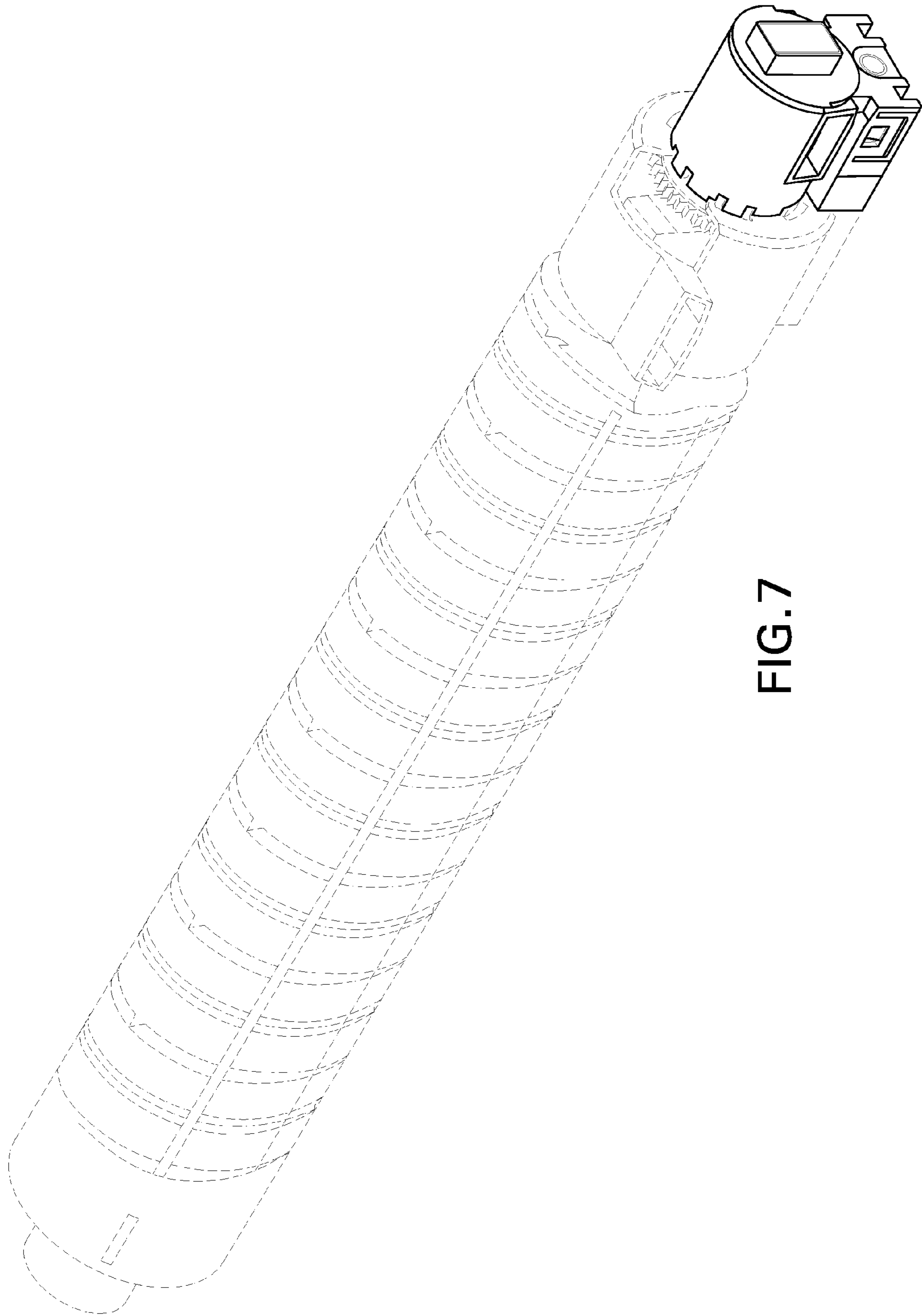


FIG. 7