



US00D602518S

(12) **United States Design Patent**
Holderfield et al.

(10) **Patent No.:** **US D602,518 S**
(45) **Date of Patent:** **** Oct. 20, 2009**

(54) **SHREDDER**

(75) Inventors: **Gregory James Holderfield**, Oak Park, IL (US); **Sebastien J. Labat**, Chicago, IL (US)

(73) Assignee: **Fellowes, Inc.**, Itasca, IL (US)

(**) Term: **14 Years**

(21) Appl. No.: **29/331,479**

(22) Filed: **Jan. 27, 2009**

Related U.S. Application Data

(63) Continuation of application No. 29/298,642, filed on Dec. 10, 2007, now Pat. No. Des. 591,335.

(51) **LOC (9) Cl.** **18-04**

(52) **U.S. Cl.** **D18/34.9**

(58) **Field of Classification Search** D18/34.1-34.9;
241/100, 236, 101.78, 36; 83/613, 614, 623,
83/485, 57-68; 164/468; 30/294, 296.1,
30/275.4, 276; D23/359

See application file for complete search history.

(56) **References Cited**

U.S. PATENT DOCUMENTS

| | | | | |
|--------------|---------|-------------|-------|----------|
| D410,246 S * | 5/1999 | Holderfield | | D18/34.6 |
| D454,907 S | 3/2002 | Ho | | |
| D455,171 S | 4/2002 | Ho | | |
| D502,961 S | 3/2005 | Lo | | |
| 6,964,386 B2 | 11/2005 | Ho | | |
| D544,905 S | 6/2007 | Abramson | | |
| D547,366 S | 7/2007 | Kent | | |
| D550,760 S | 9/2007 | Beno | | |
| D557,735 S * | 12/2007 | Ho | | D18/34.6 |

| | | | | |
|----------------|--------|--------------------|-------|----------|
| 7,344,096 B2 * | 3/2008 | Matlin et al. | | 241/36 |
| D586,846 S * | 2/2009 | Kent et al. | | D18/34.5 |
| D591,335 S * | 4/2009 | Holderfield et al. | | D18/34.9 |
| 7,513,448 B2 * | 4/2009 | Ko | | 241/100 |

OTHER PUBLICATIONS

Color product information pages obtained from Internet: www.jinpex.cn, Jul. 1, 2007, 6 pages.

Letter from Frankfurt District Court, Frankfurt, Germany regarding litigation matter *Fellowes GmbH v. Changzhou JINPEX Electronics Co., Ltd.*, Oct. 28, 2008, 29 pages (includes full English translation of letter).

* cited by examiner

Primary Examiner—Charles A Rademaker

(74) *Attorney, Agent, or Firm*—Pillsbury Winthrop Shaw Pittman LLP

(57) **CLAIM**

The ornamental design for a shredder, as shown and described.

DESCRIPTION

FIG. 1 is a perspective view of a shredder showing our new design;

FIG. 2 is a left side profile view of the shredder of FIG. 1;

FIG. 3 is a right side profile view of the shredder of FIG. 1;

FIG. 4 is a top plan view of the shredder of FIG. 1;

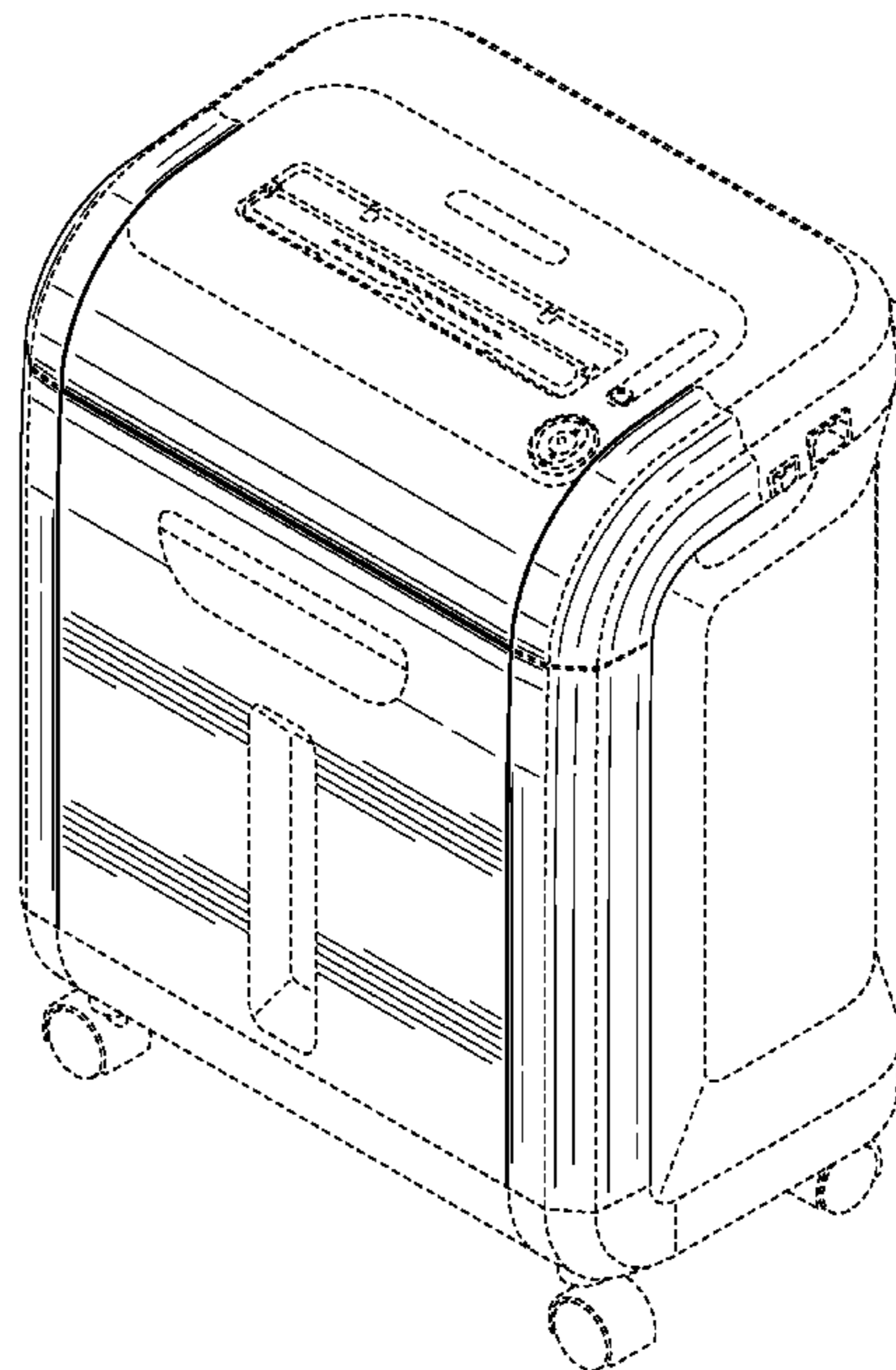
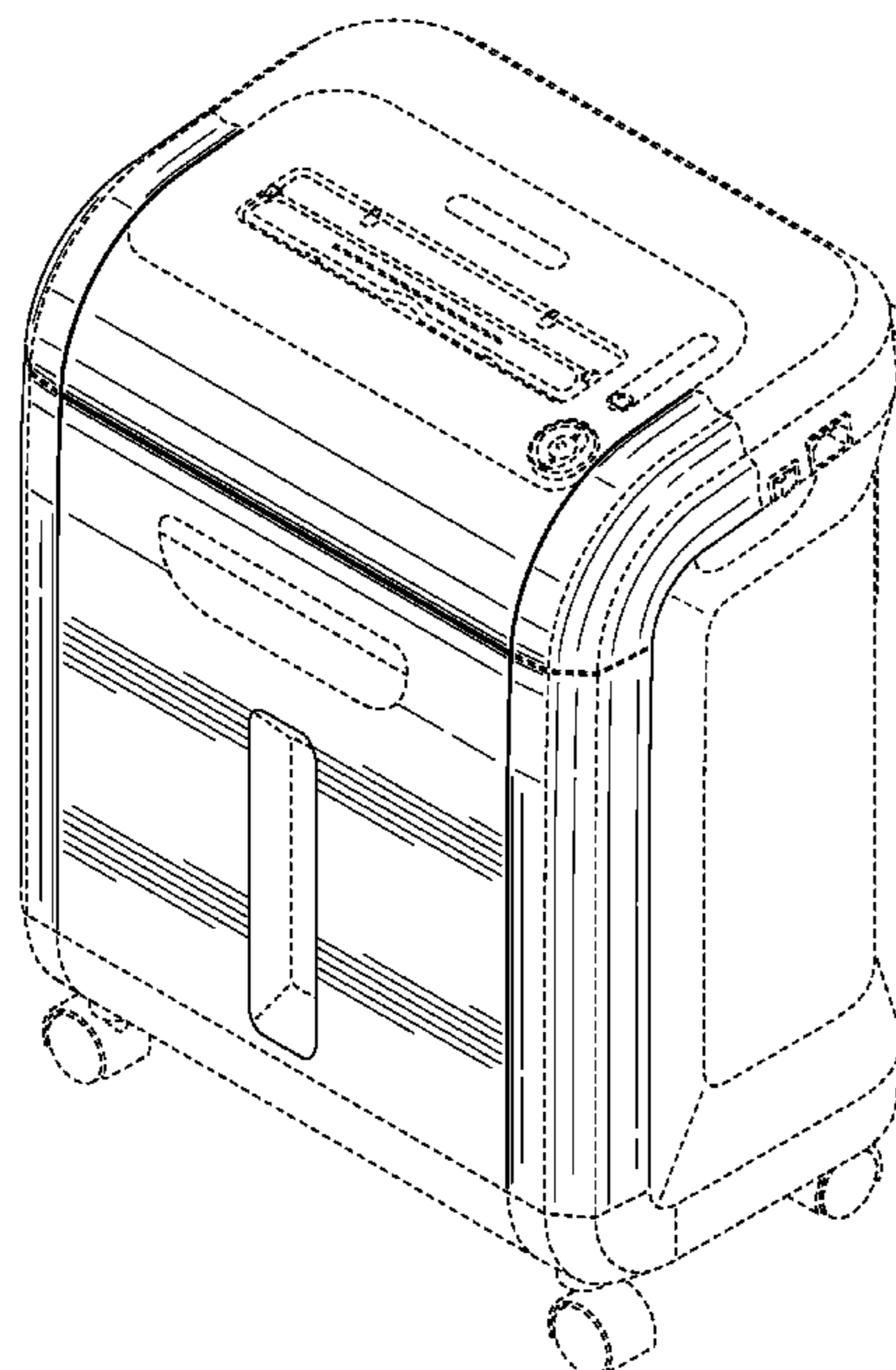
FIG. 5 is a front elevation view of the shredder of FIG. 1;

FIG. 6 is a rear elevation view of the shredder of FIG. 1;

FIG. 7 is a perspective view of a modified embodiment of the design shown in FIGS. 1 through 6; and,

FIG. 8 is a front elevation view of the shredder of FIG. 7.

1 Claim, 8 Drawing Sheets



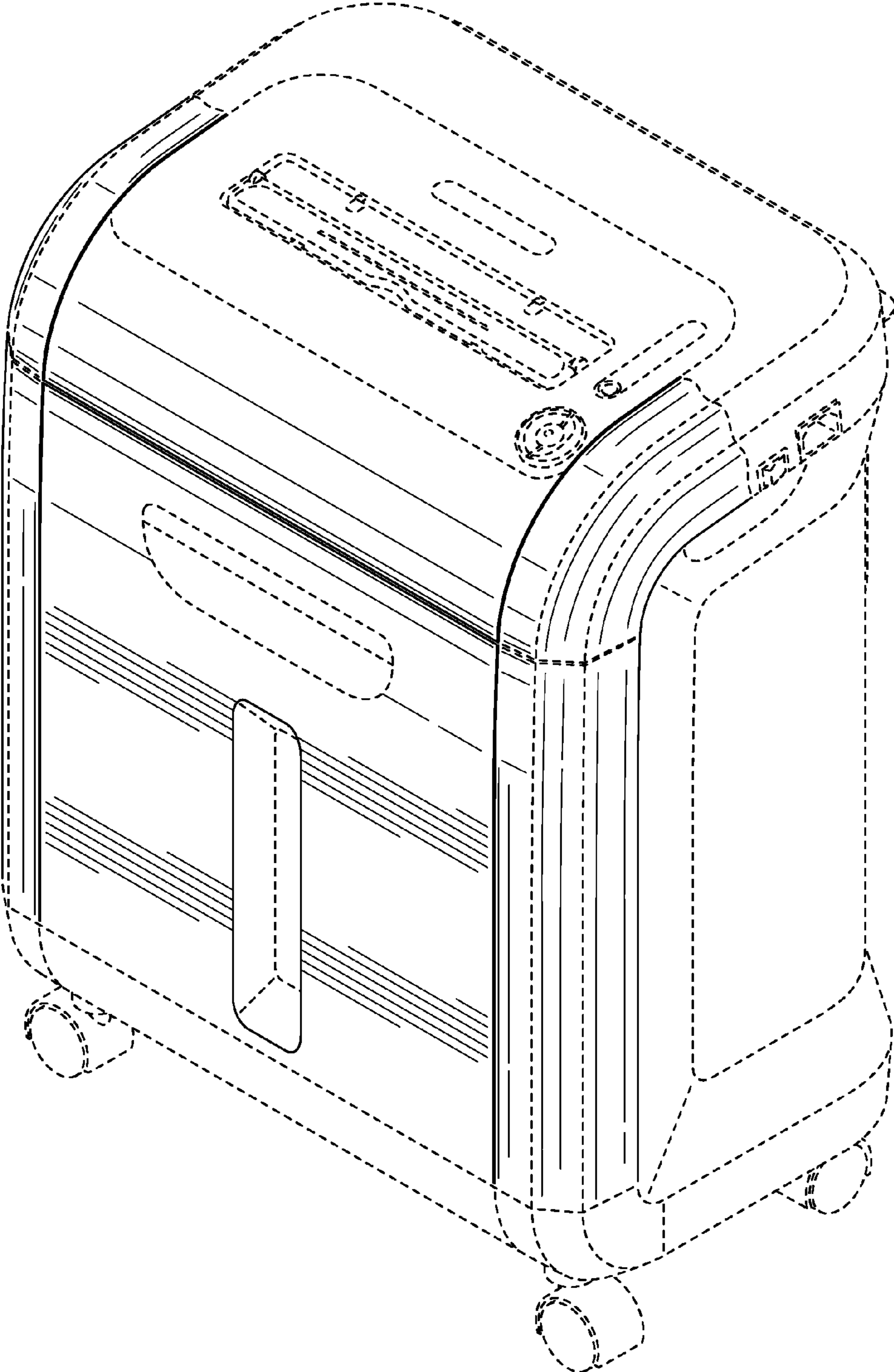


FIG. 1

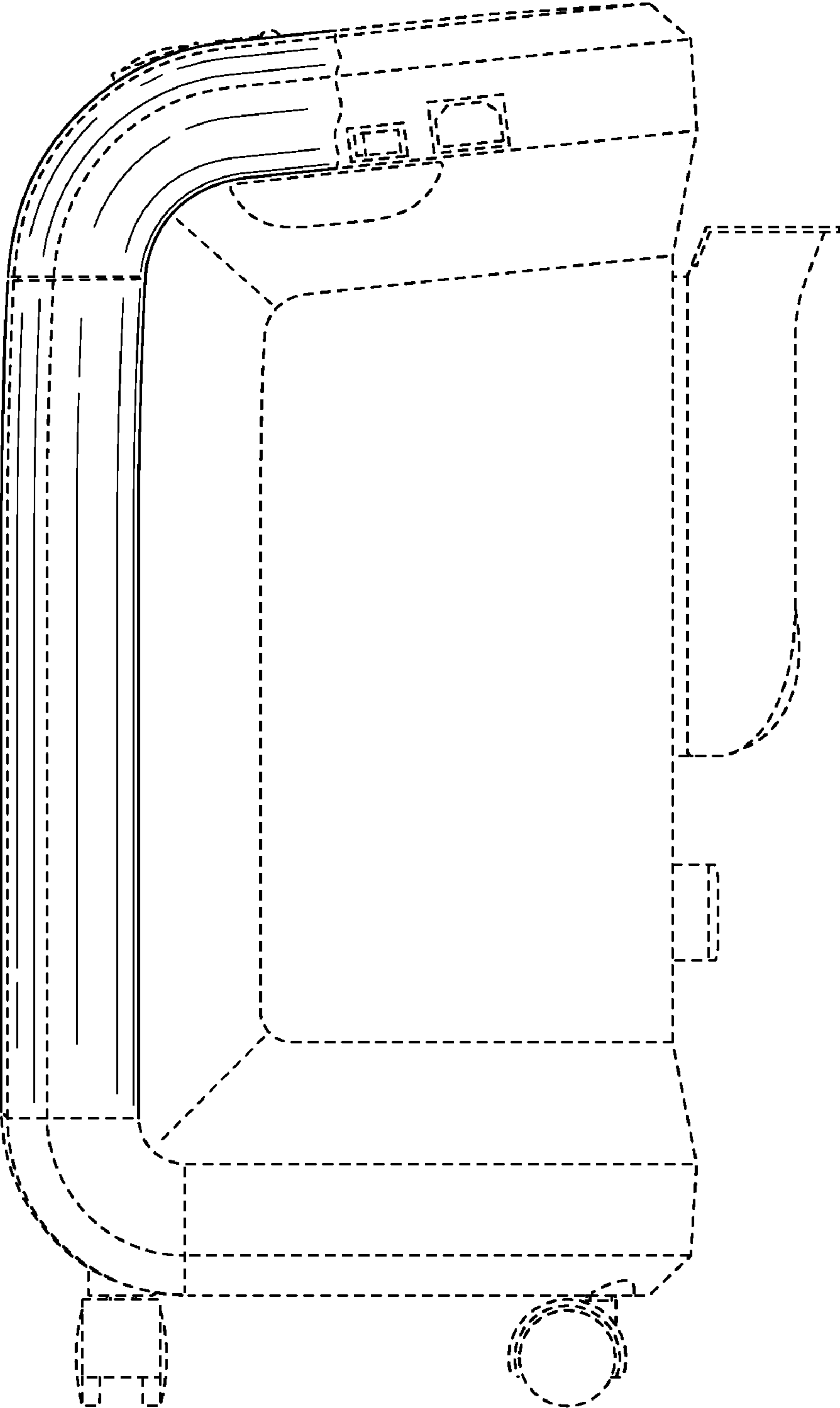


FIG. 2

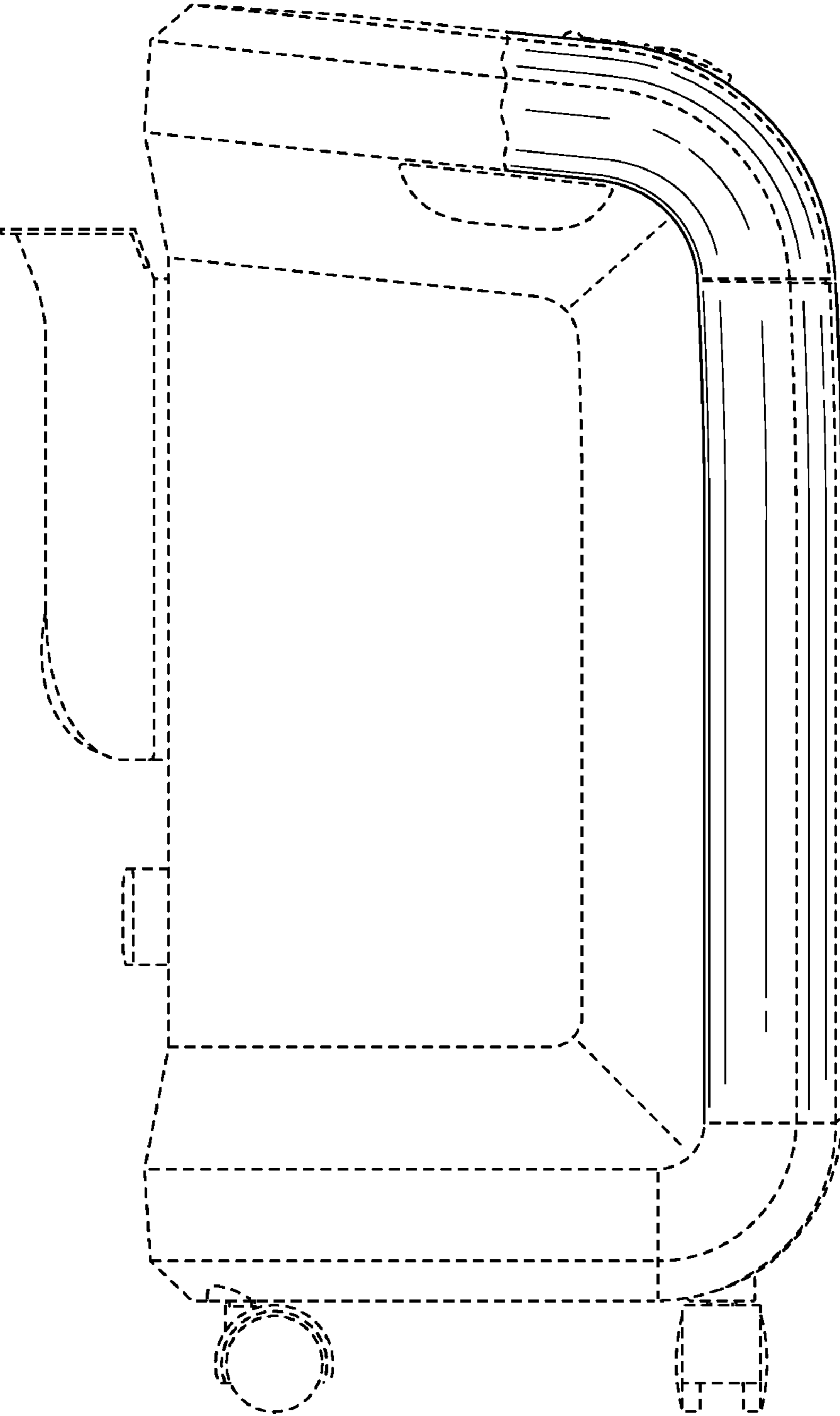


FIG. 3

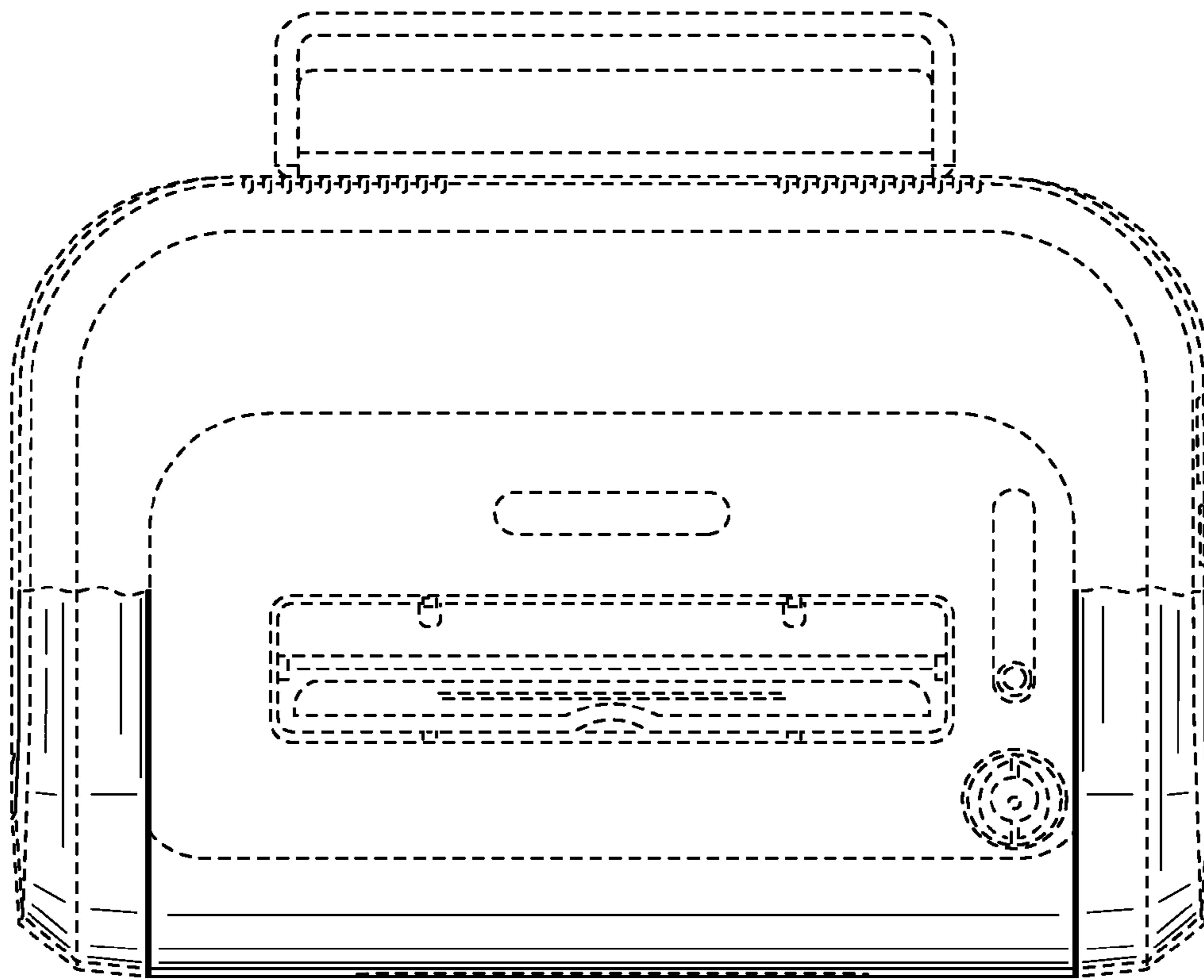


FIG. 4

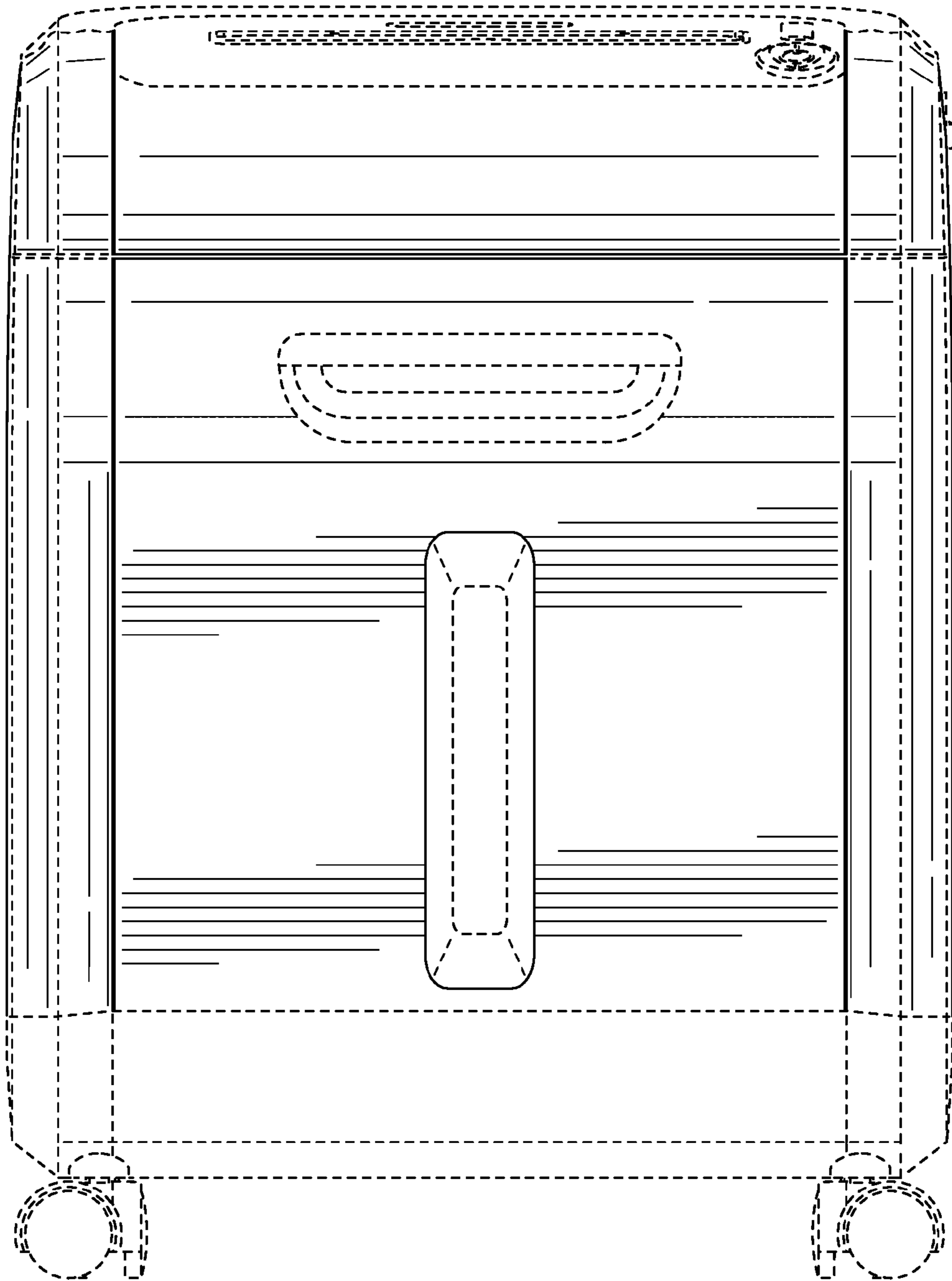


FIG. 5

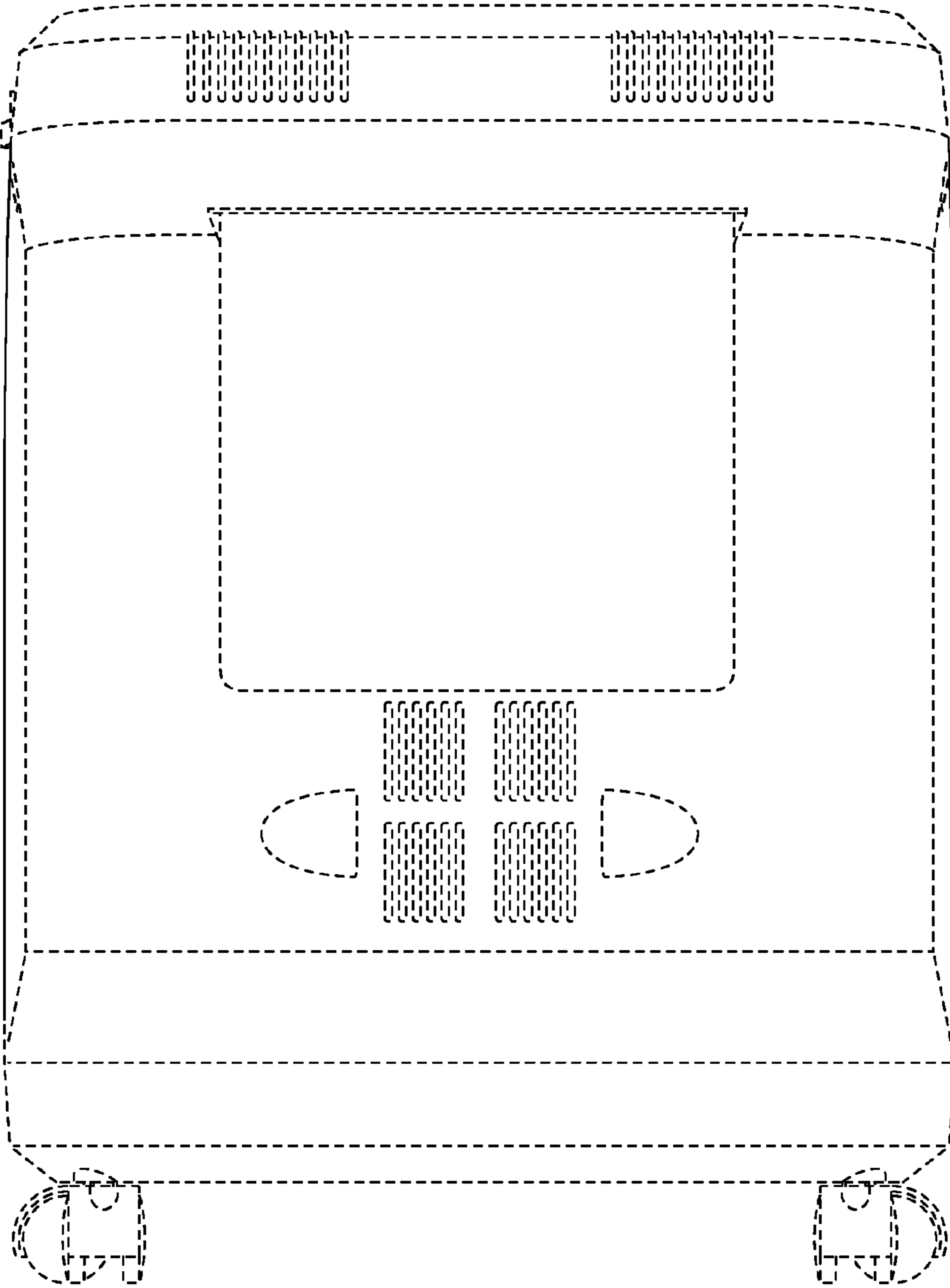


FIG. 6

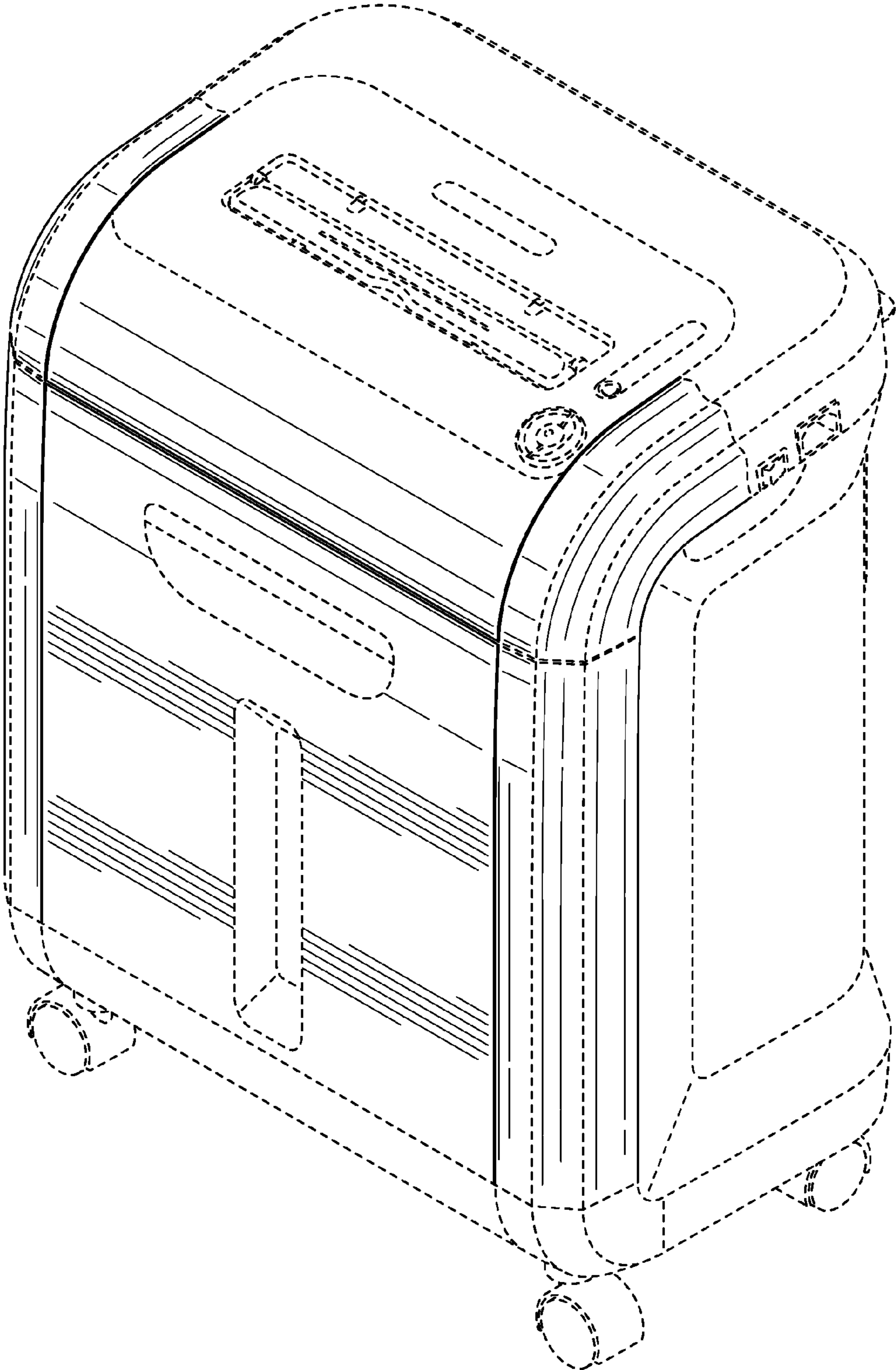


FIG. 7

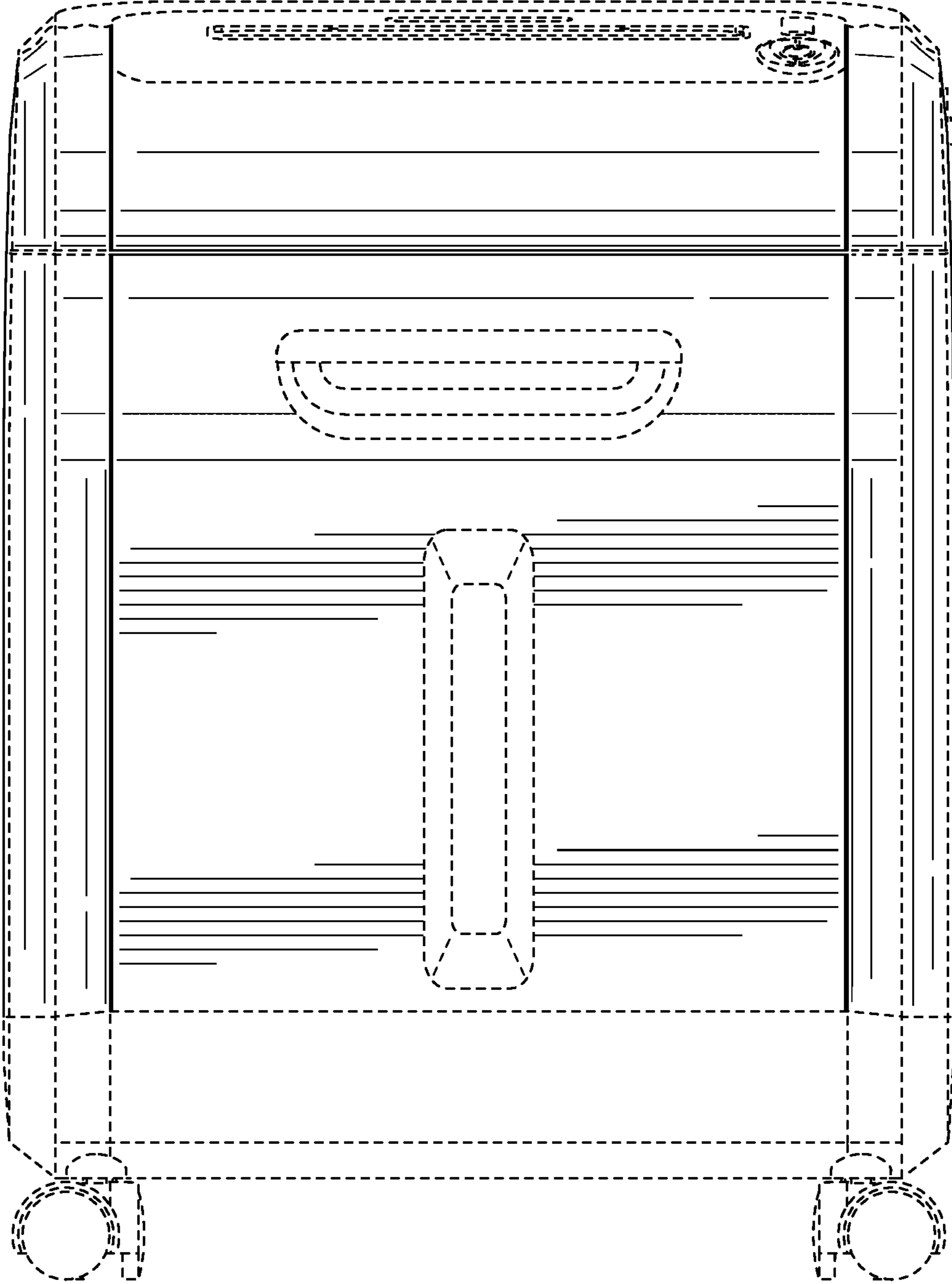


FIG. 8