



US00D602516S

(12) **United States Design Patent**
Miller et al.

(10) **Patent No.:** **US D602,516 S**
(45) **Date of Patent:** **** Oct. 20, 2009**

(54) **PROMOTIONAL DEVICE**

(75) Inventors: **Nicholas Miller**, London (GB); **Chris Lanman**, London (GB); **Kelly Maguire**, London (GB)

(73) Assignee: **KYP Holdings Plc**, London (GB)

(**) Term: **14 Years**

(21) Appl. No.: **29/321,726**

(22) Filed: **Jul. 22, 2008**

(30) **Foreign Application Priority Data**

Jan. 23, 2008 (EM) 000867320

(51) **LOC (9) Cl.** **20-03**

(52) **U.S. Cl.** **D18/18; D20/27**

(58) **Field of Classification Search** D20/10,
D20/11, 18, 19, 22, 23, 40, 99; 40/124.01,
40/124.06, 124.09, 124.11, 124.19, 124.191,
40/299.01, 341, 446, 488-495, 538, 584,
40/591, 594, 617, 628-631, 635, 642.02,
40/649, 654.01, 661.06, 661.08, 663, 672,
40/679; D3/247, 303; D6/300; D19/1-3;
116/234; 156/277; 206/39.5; 229/72, 92.8,
229/125.39; 235/89 R; 299/72; 283/56,
283/71, 81, 94, 95, 98, 99, 106, 107, 116;
434/170, 174

See application file for complete search history.

(56) **References Cited**

U.S. PATENT DOCUMENTS

5,287,641 A * 2/1994 Showers 40/488
6,061,938 A * 5/2000 Young 40/490

(Continued)

FOREIGN PATENT DOCUMENTS

EM 000088026-0001 1/2004

(Continued)

Primary Examiner—Janice E Seeger

Assistant Examiner—Mary Ann Calabrese

(74) *Attorney, Agent, or Firm*—Banner & Witcoff, Ltd.

(57) **CLAIM**

The ornamental design for a promotional device, as shown and described.

DESCRIPTION

FIG. 1 is a rear view of a promotional device showing our new design in an unfolded configuration with a content insert in a retracted state and a center flap in an extended state;

FIG. 2 is a front view of the promotional device in an unfolded configuration with the content insert in a retracted state, the center flap in an extended state, and a foldout sheet in a retracted state;

FIG. 3 is a front perspective view of the promotional device in a partially folded configuration with the content insert in a retracted state, the center flap in an extended state, and the foldout sheet in a partially retracted state;

FIG. 4 is a front perspective view of the promotional device in an unfolded configuration with the content insert in a retracted state, the center flap in an extended state, and the foldout sheet in a partially retracted state;

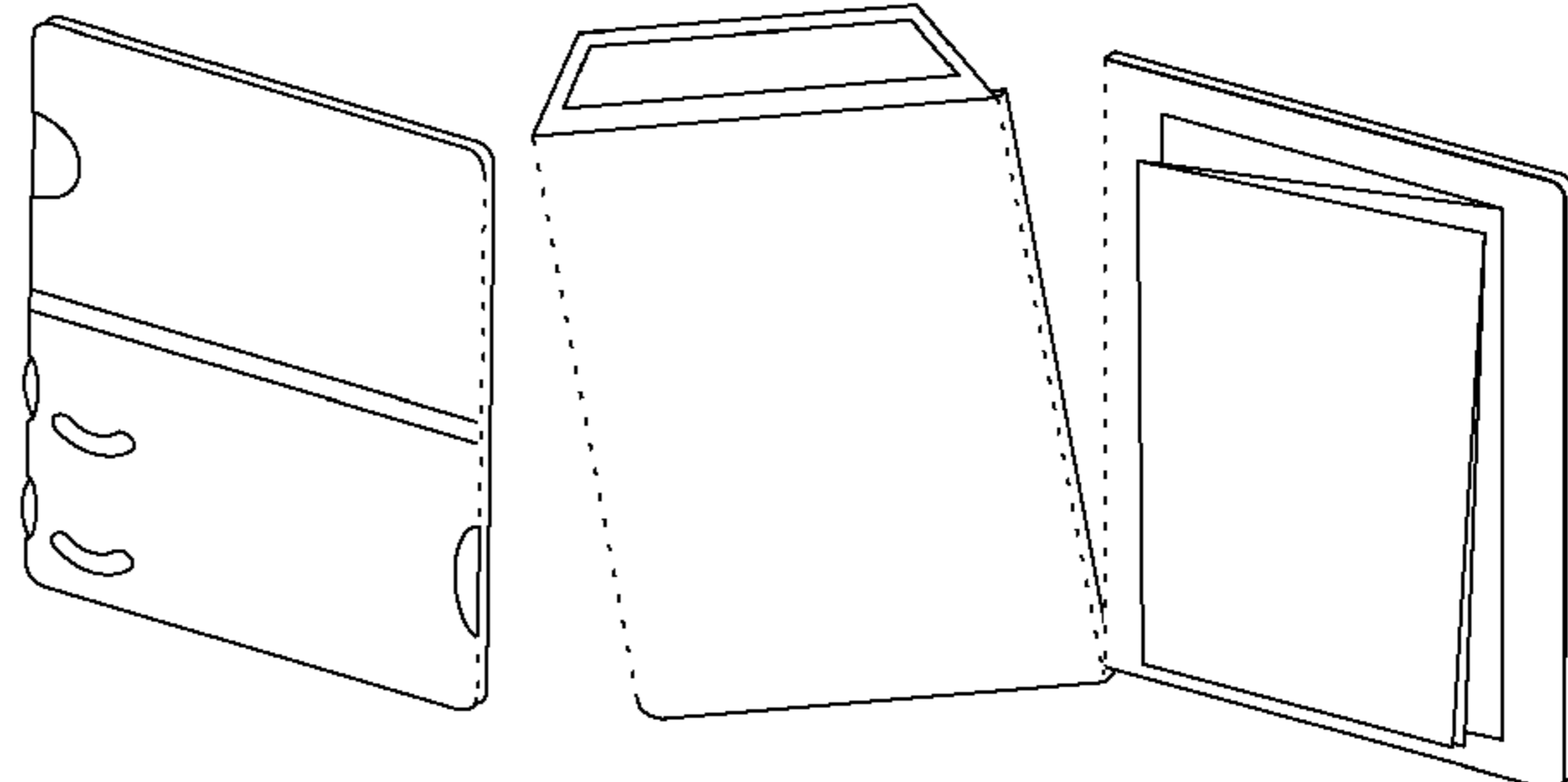
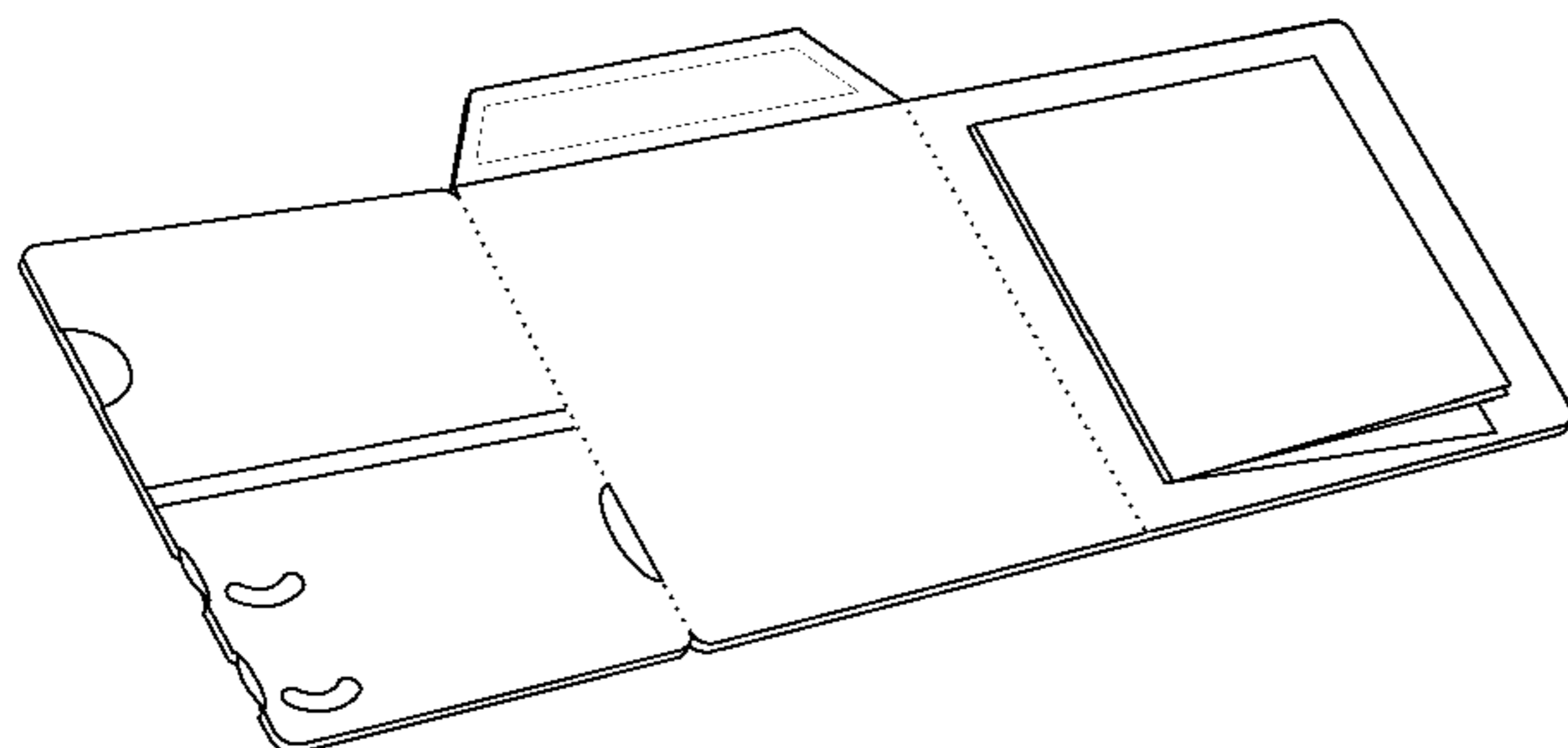
FIG. 5 is a front perspective view of the promotional device in a partially perforated state with the content insert in a retracted state, the center flap in an extended state, and the foldout sheet in a partially retracted state;

FIG. 6 is a front view of the promotional device in an unfolded configuration with the content insert in a retracted state, the center flap in an extended state, and the foldout sheet in a partially extended state; and,

FIG. 7 is a front view of the promotional device in an unfolded configuration with the content insert in a retracted state, the center flap in an extended state, and the foldout sheet in an extended state.

The foldout sheet extended from the body of the design as shown in FIGS. 6 and 7 retracts into the body of the design as shown in FIGS. 2-5. The broken lines in FIGS. 1, 2, and 4-7 represent perforation lines. Any unshown portion of the promotional device forms no part of the claimed design.

1 Claim, 4 Drawing Sheets



US D602,516 S

Page 2

U.S. PATENT DOCUMENTS

6,153,039 A * 11/2000 Jacobsen 156/277
6,155,410 A * 12/2000 Davis 206/39.5
6,539,653 B1 * 4/2003 Finke 40/124.06
D488,932 S * 4/2004 Forster D6/300
D537,117 S 2/2007 Sinclair et al.
D540,878 S * 4/2007 Burns D20/19
D544,040 S * 6/2007 Burns D20/19
7,409,788 B2 * 8/2008 Lauer et al. 40/594
2005/0023822 A1 * 2/2005 McDonald 283/106
2005/0120940 A1 6/2005 Sinclair et al.
2006/0048422 A1 * 3/2006 Dyvig et al. 40/654.01

2008/0083145 A1* 4/2008 Wynalda et al. 40/495

FOREIGN PATENT DOCUMENTS

EM 000123674-0001 4/2004
EM 000214010-0001 11/2004
EM 000268800-0001 3/2005
EM 000544572-0001 7/2006
EM 000605563-0001 11/2006
EM 000634415-0001 1/2007
EM 000728217-0001 6/2007
EM 000748488-0001 7/2007

* cited by examiner

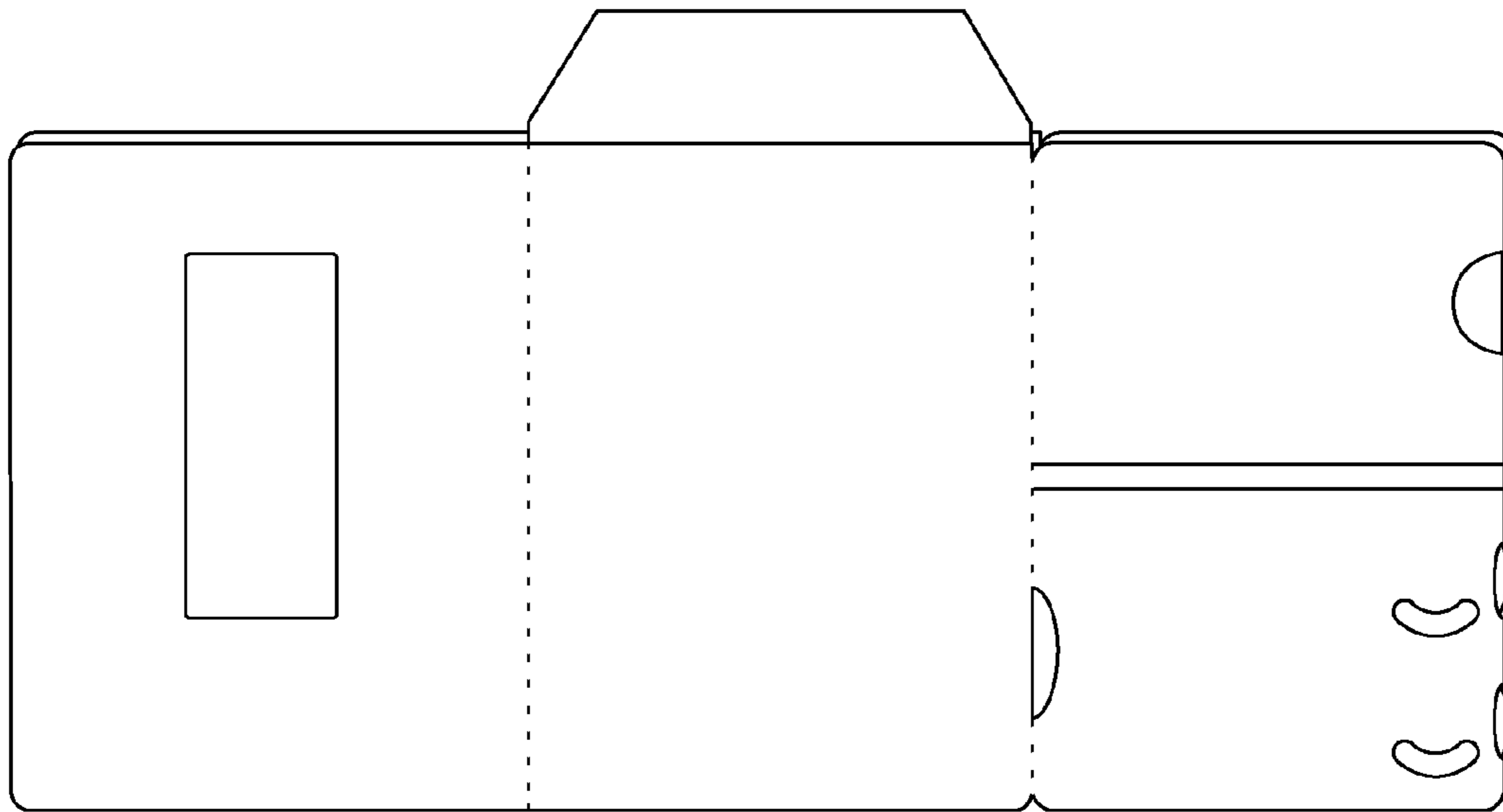


FIG. 1

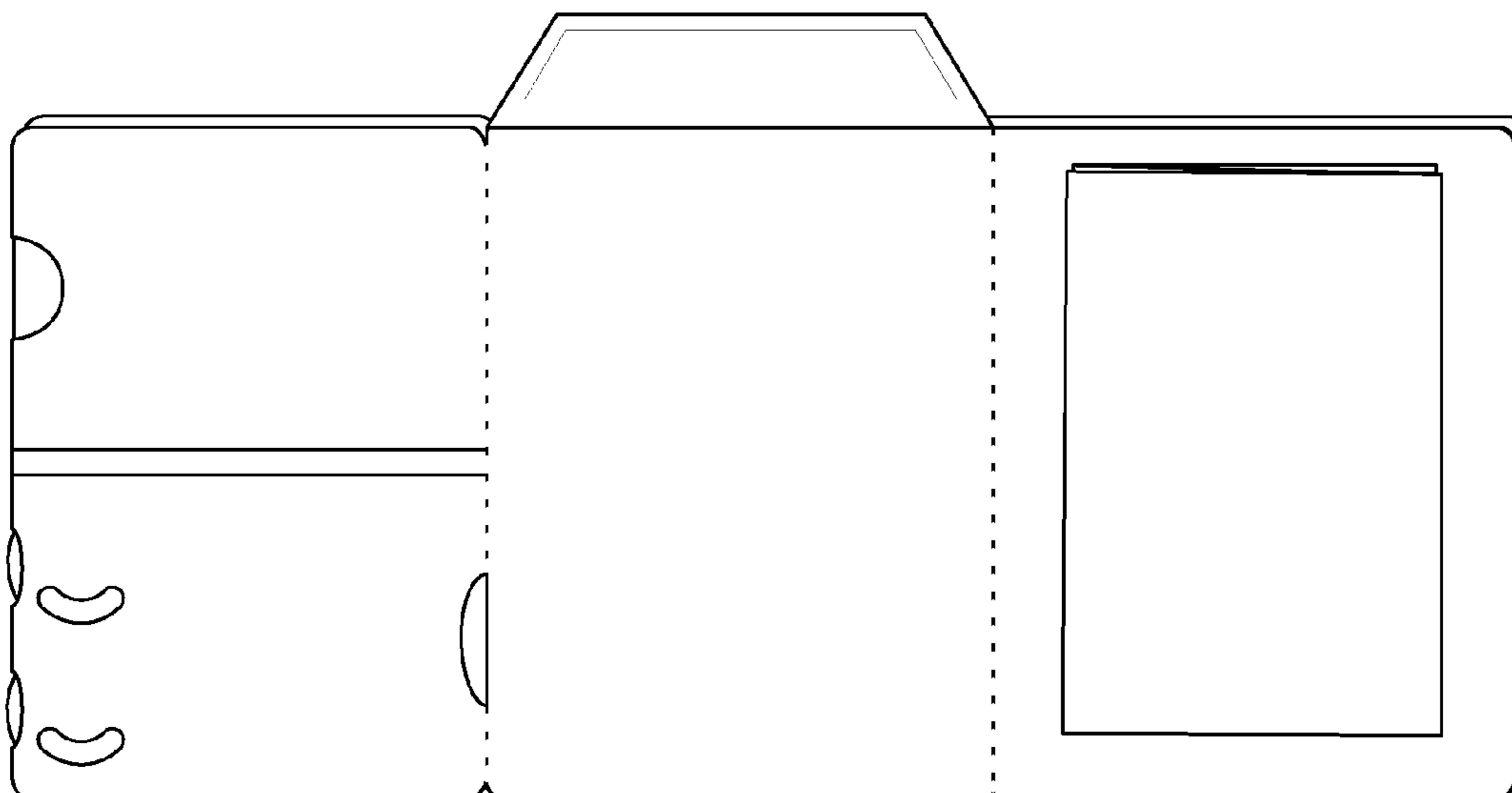


FIG. 2

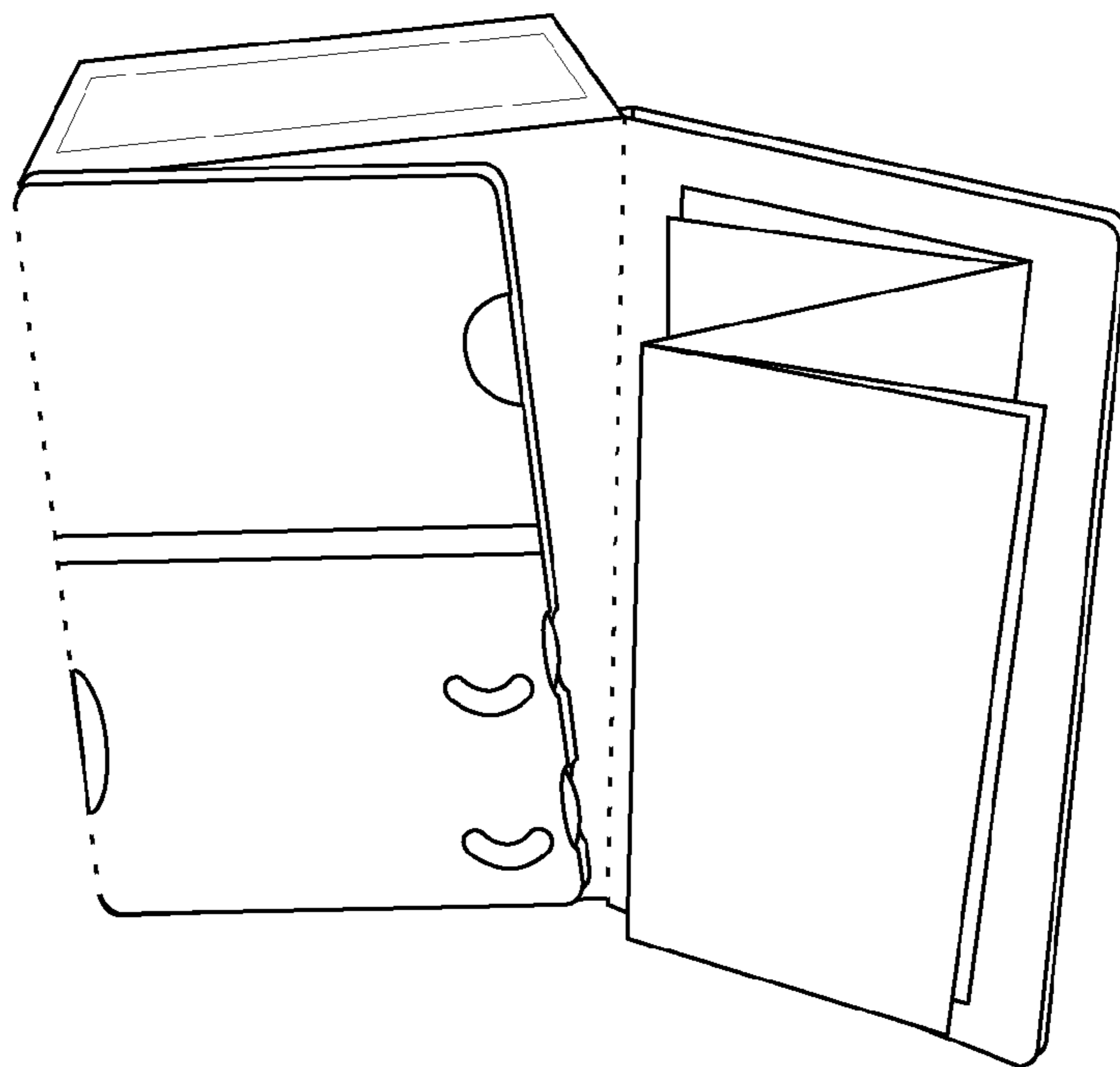


FIG. 3

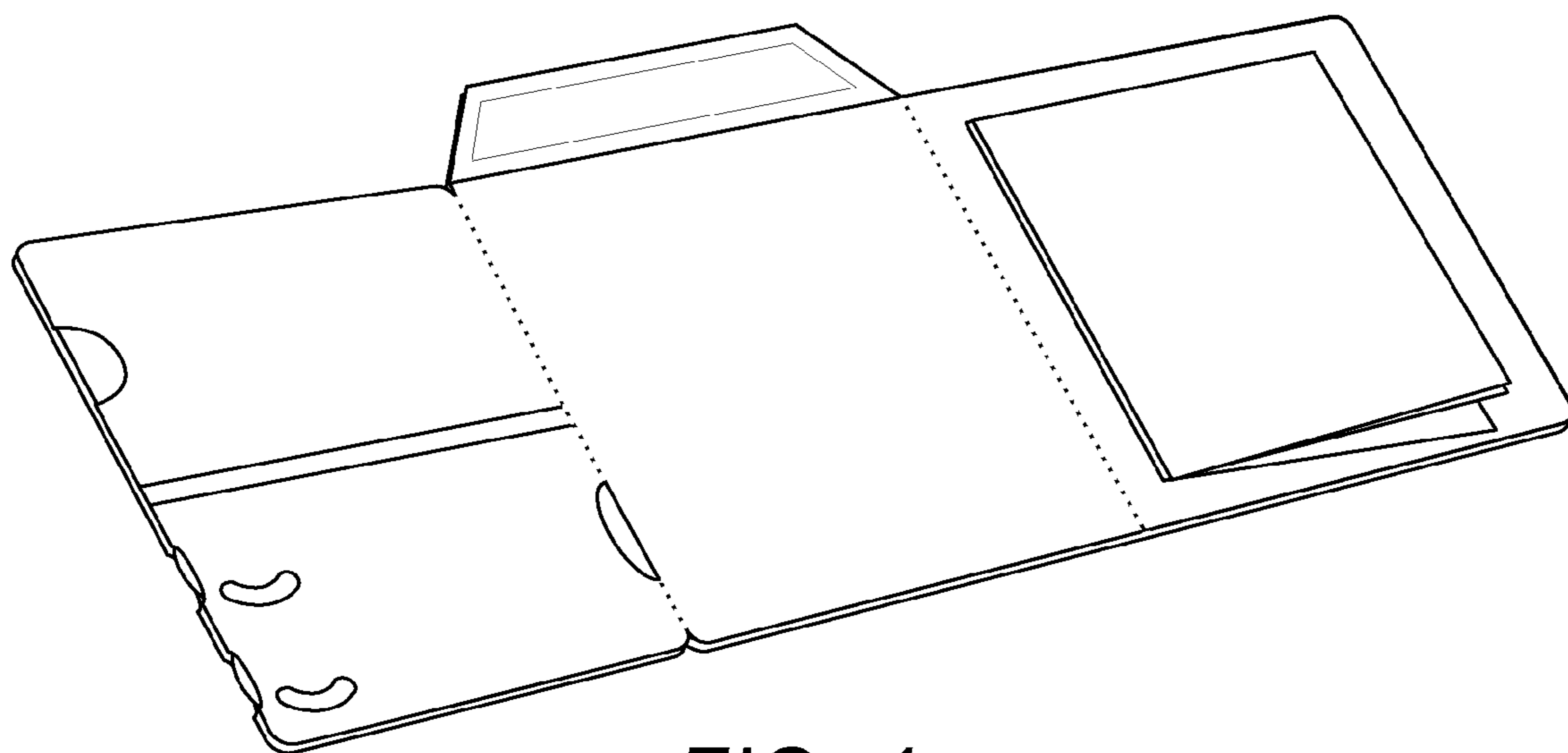


FIG. 4

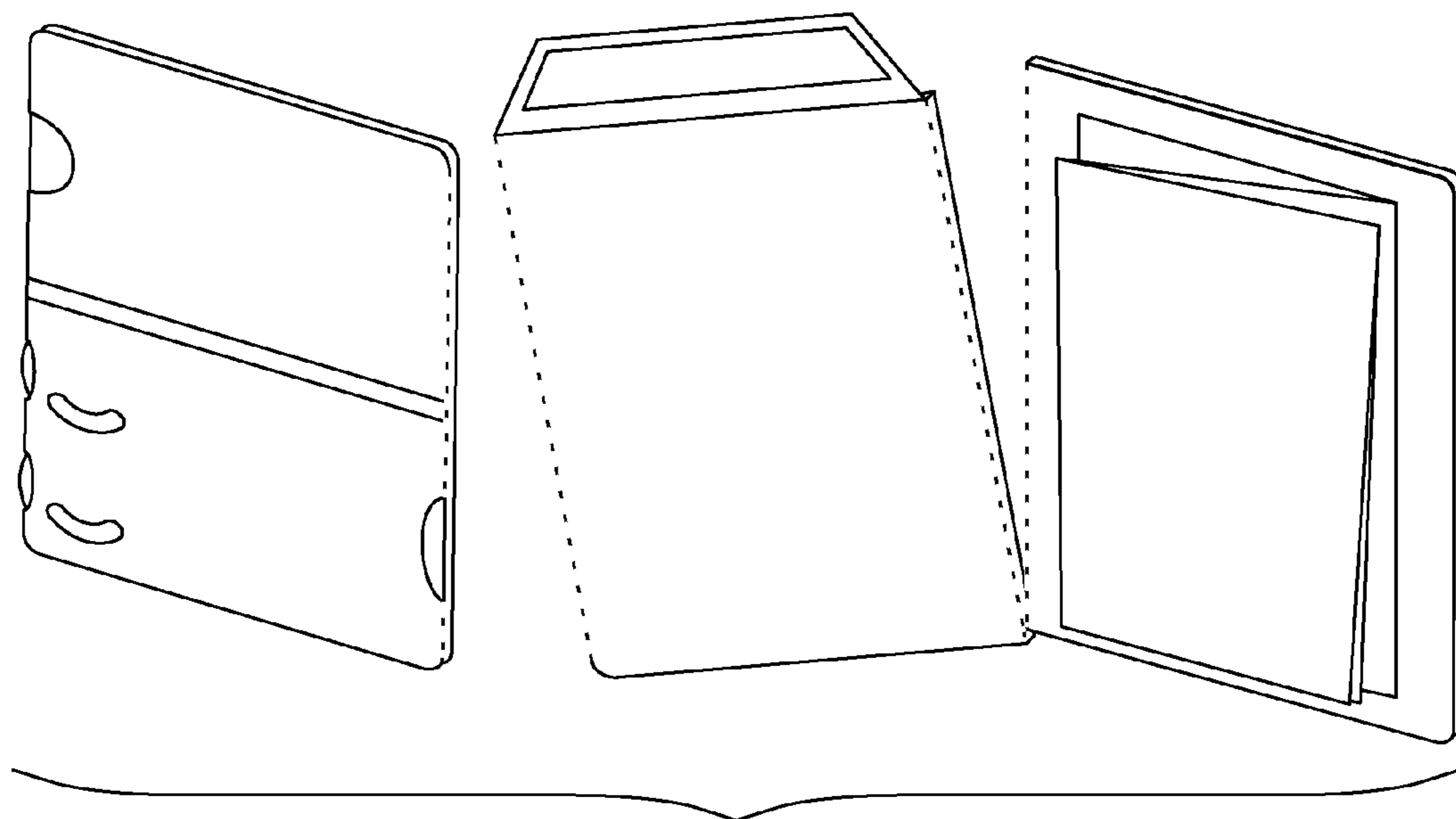


FIG. 5

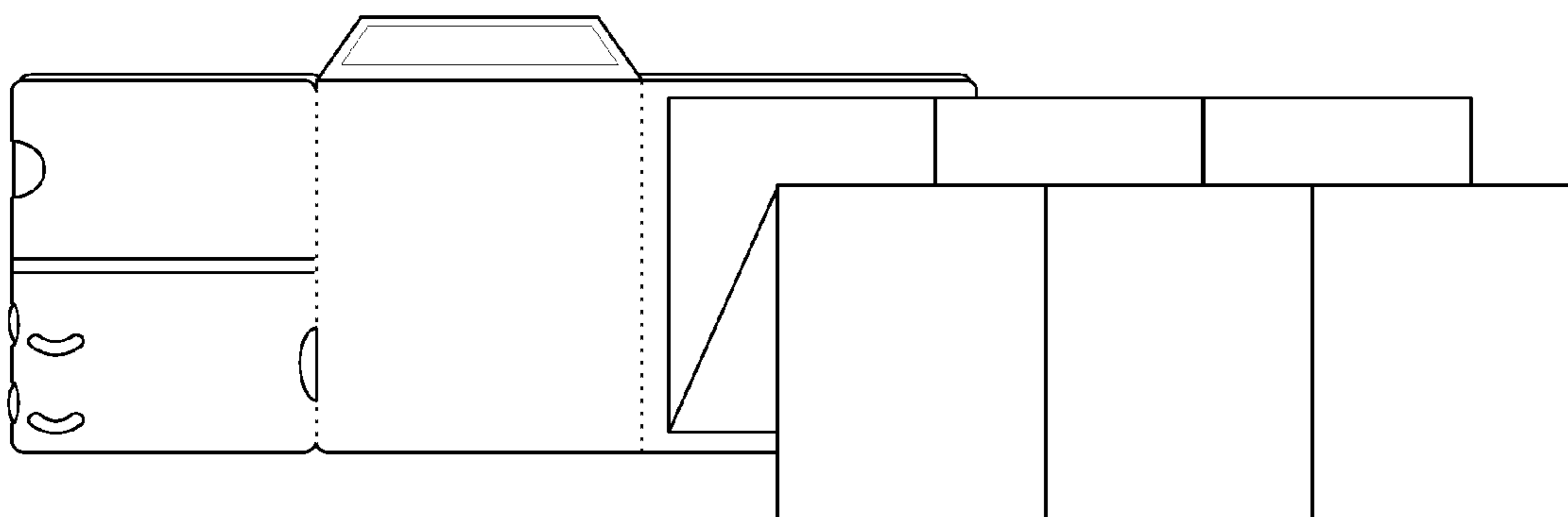


FIG. 6

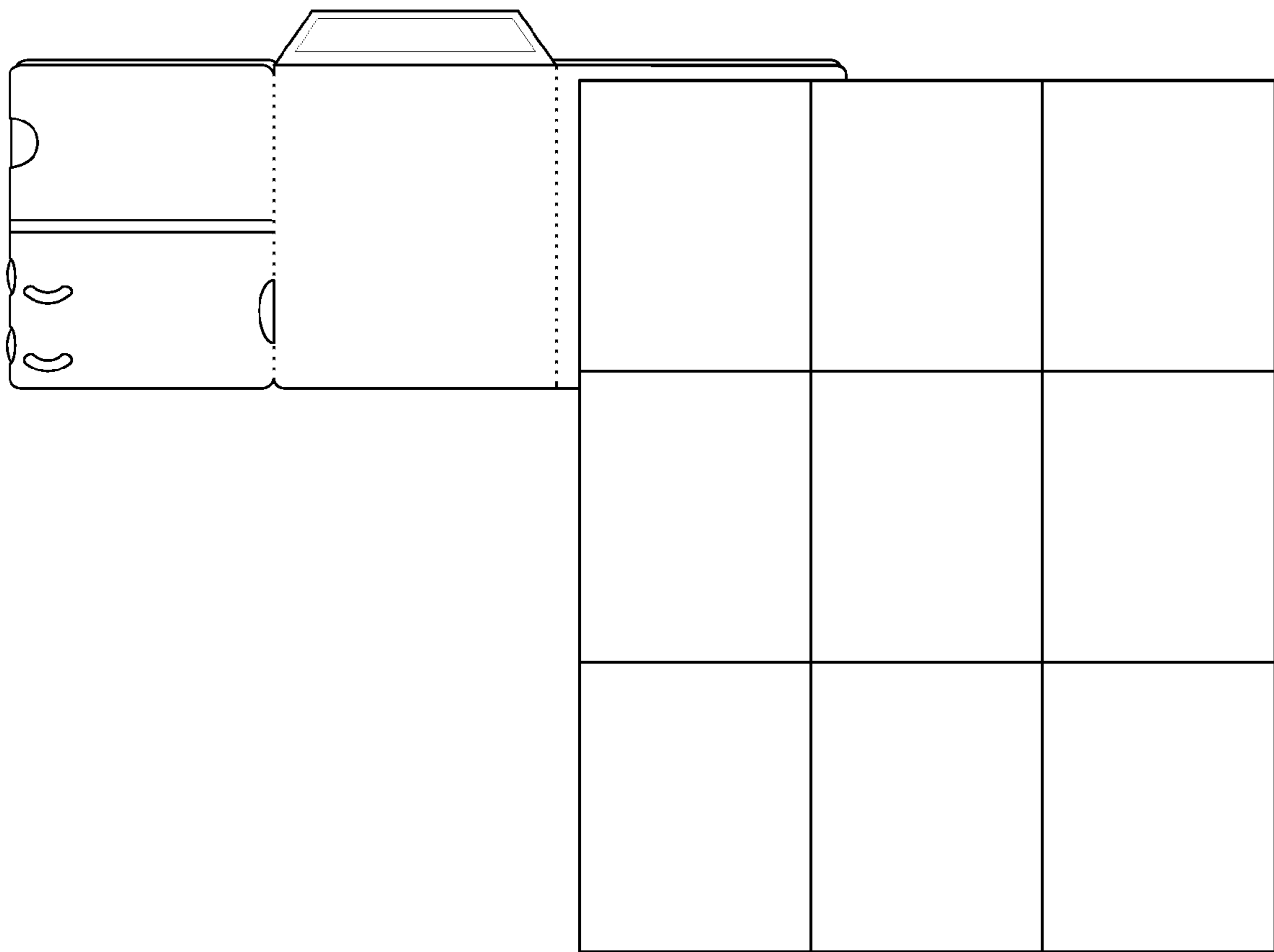


FIG. 7