



US00D602515S

(12) **United States Design Patent**  
**Walter**

(10) **Patent No.:** **US D602,515 S**  
(45) **Date of Patent:** **\*\* Oct. 20, 2009**

(54) **PERCUSSION INSTRUMENT**

(75) Inventor: **Claude Walter**, Illkirch-Graffenstaden (FR)

(73) Assignee: **Rythmes & Sons (Société à responsabilité limitée)**, Illkirch-Graffenstaden (FR)

(\*\*) Term: **14 Years**

(21) Appl. No.: **29/330,257**

(22) Filed: **Jan. 2, 2009**

**Related U.S. Application Data**

(63) Continuation-in-part of application No. 29/304,689, filed on Mar. 6, 2008, now abandoned.

(30) **Foreign Application Priority Data**

Sep. 7, 2007 (EM) ..... 000786249-0001

(51) **LOC (9) Cl.** ..... **17-04**

(52) **U.S. Cl.** ..... **D17/22**

(58) **Field of Classification Search** ..... D17/22, D17/99; 84/104, 106, 411 R, 414-416, 419, 84/420, 411 P, 411 M, 453, DIG. 12; D21/405  
See application file for complete search history.

(56) **References Cited**

**U.S. PATENT DOCUMENTS**

4,452,121 A \* 6/1984 Green ..... 84/421  
D464,987 S \* 10/2002 Edwards et al. .... D17/22

D472,587 S \* 4/2003 Chan ..... D21/405  
D556,249 S \* 11/2007 Belli ..... D17/22  
2002/0062726 A1 \* 5/2002 Abe ..... 84/464 A  
2004/0103774 A1 \* 6/2004 Belli ..... 84/411 R

**FOREIGN PATENT DOCUMENTS**

JP 07028459 A \* 1/1995

**OTHER PUBLICATIONS**

Hack A Day. <http://hackaday.com/tag/drums>. Dec. 2008. Guitar Hero Cymbal Remake.\*

\* cited by examiner

*Primary Examiner*—Stella M Reid

*Assistant Examiner*—R. Johnson

(74) *Attorney, Agent, or Firm*—Egbert Law Offices PLLC

(57) **CLAIM**

The ornamental design for percussion instrument, as shown and described.

**DESCRIPTION**

FIG. 1 is an upper perspective view of the percussion instrument showing my design.

FIG. 2 is a front elevational view thereof;

FIG. 3 is a back elevational views thereof;

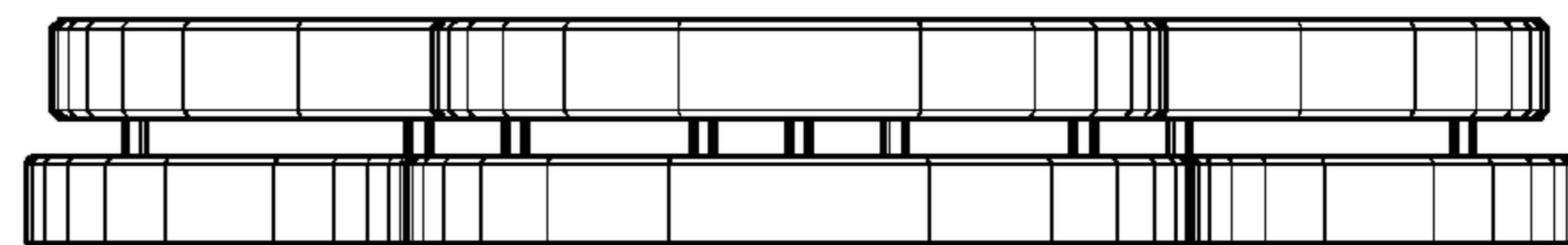
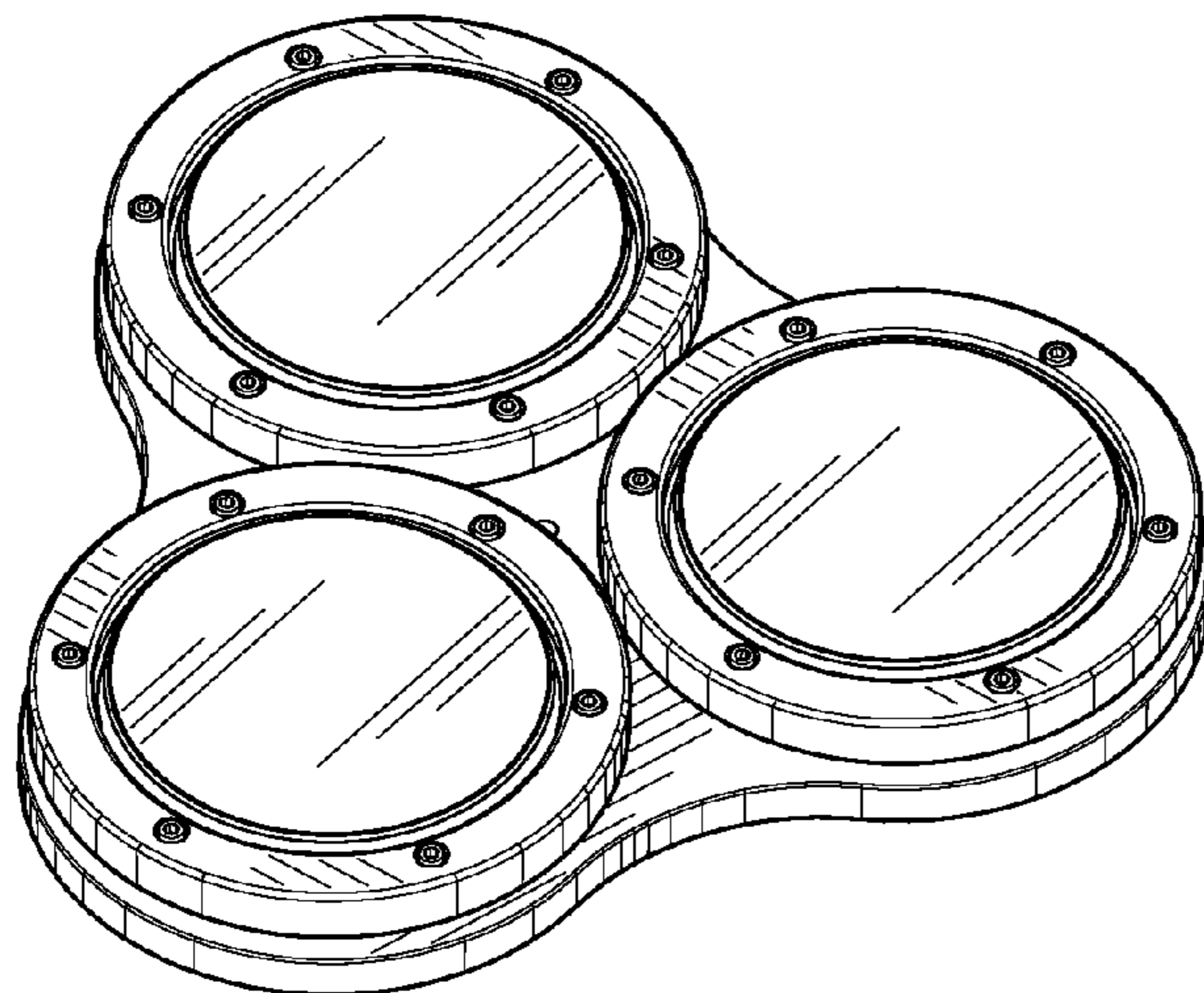
FIG. 4 is a top plan view thereof;

FIG. 5 is a bottom plan view thereof;

FIG. 6 is a side elevational view thereof; and,

FIG. 7 is an opposite side elevational view thereof.

**1 Claim, 2 Drawing Sheets**



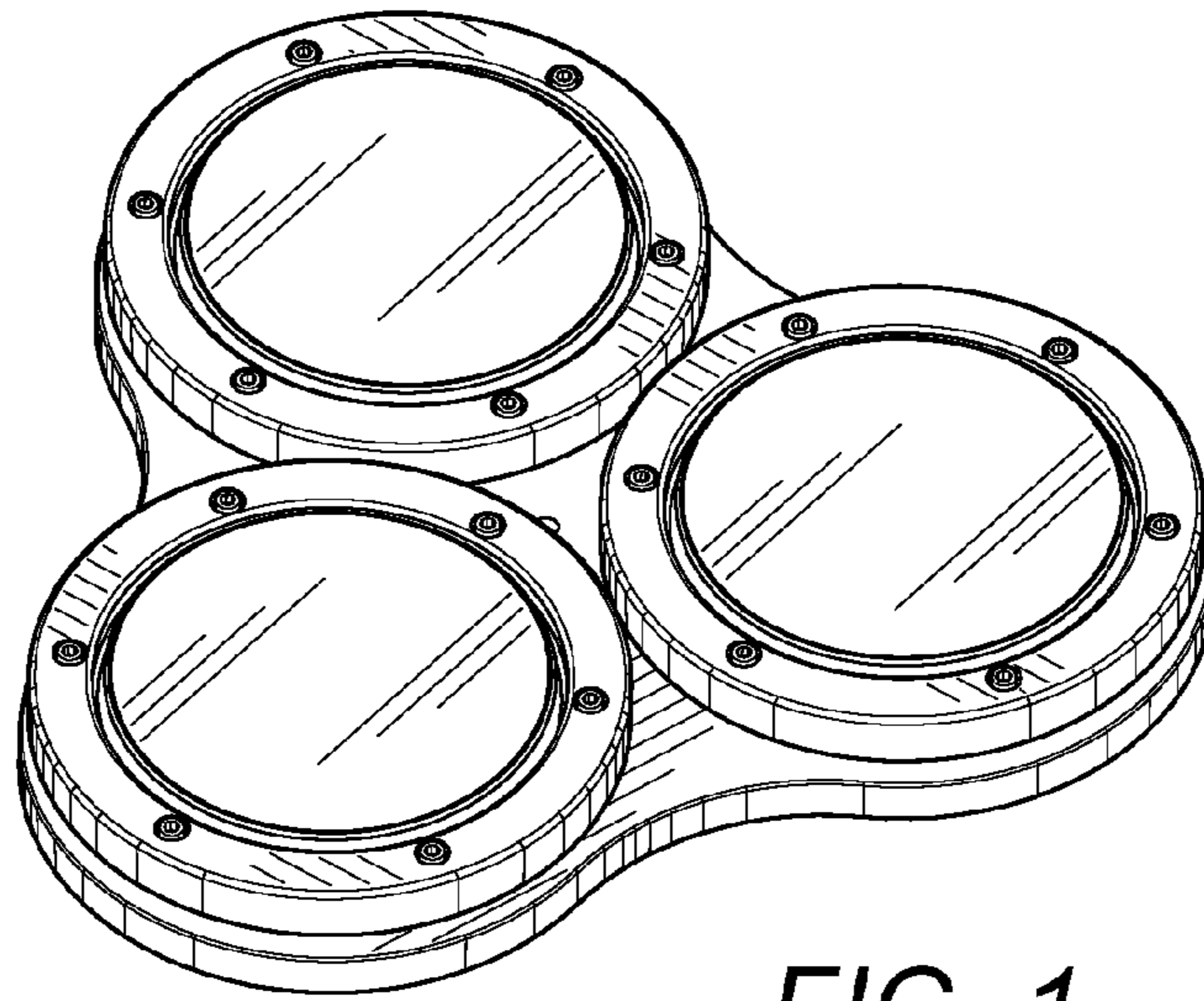


FIG. 1

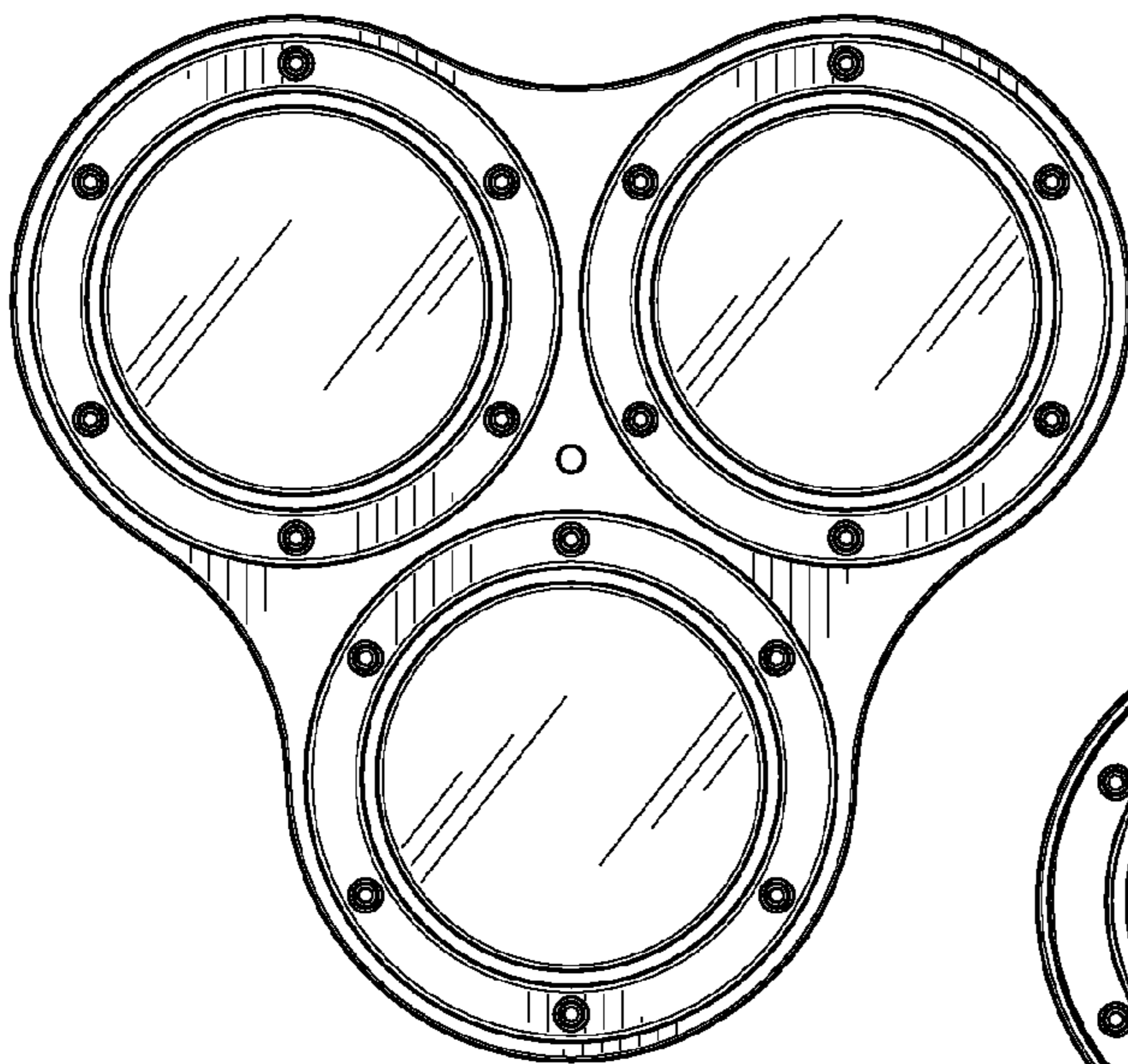


FIG. 2

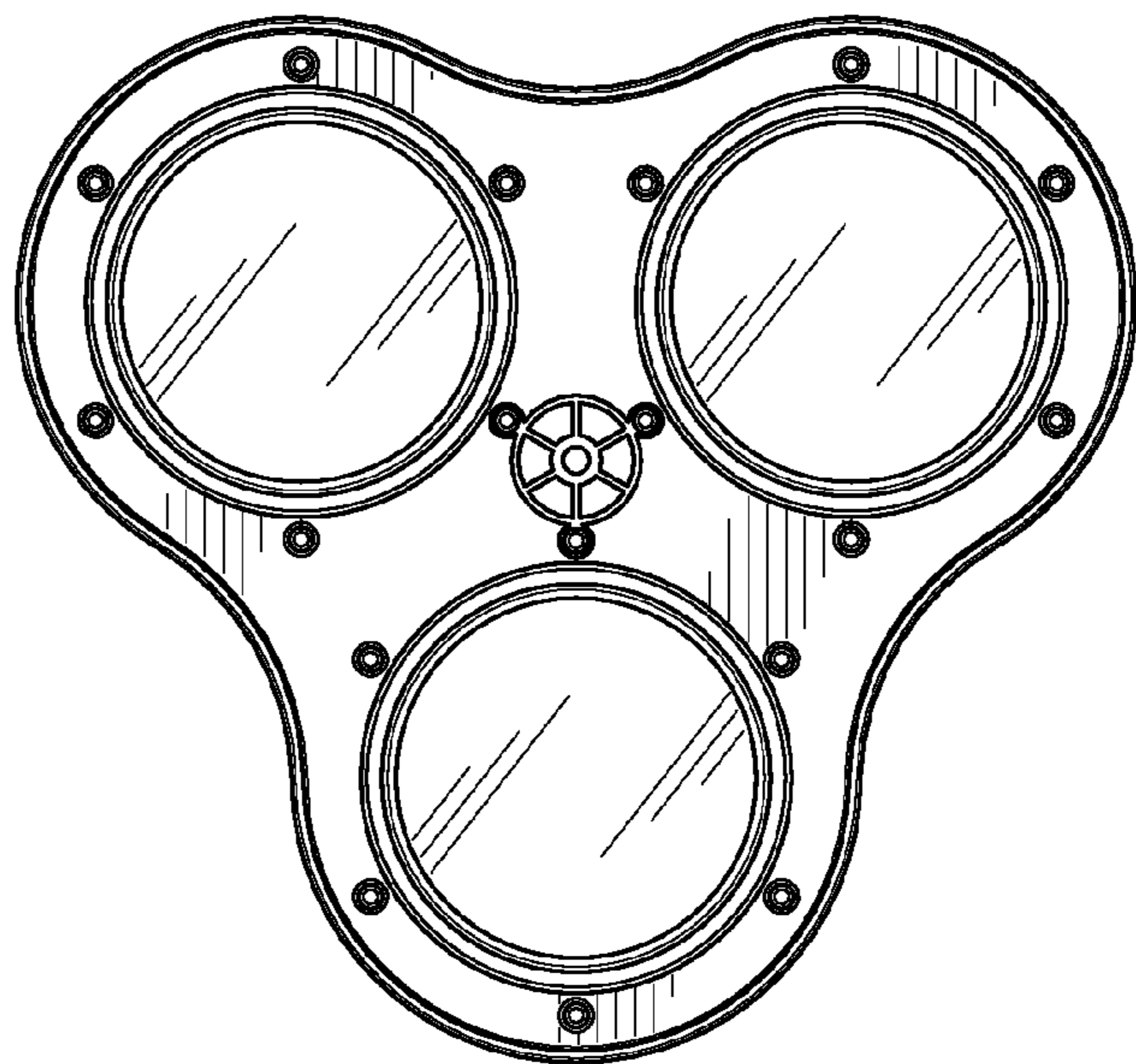
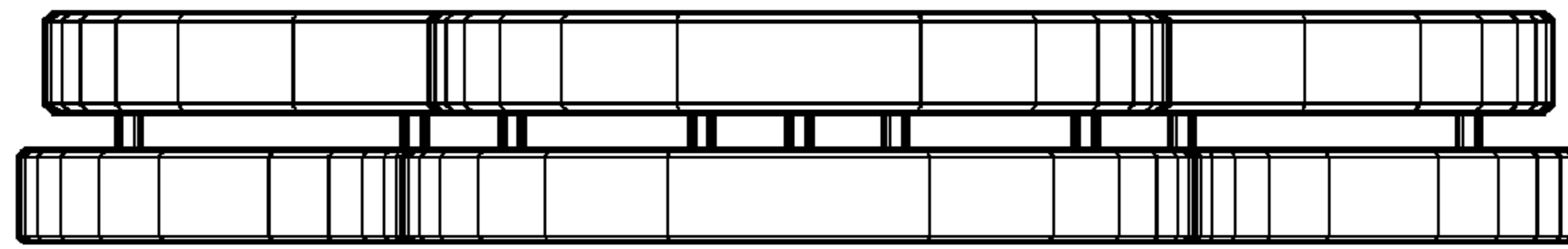
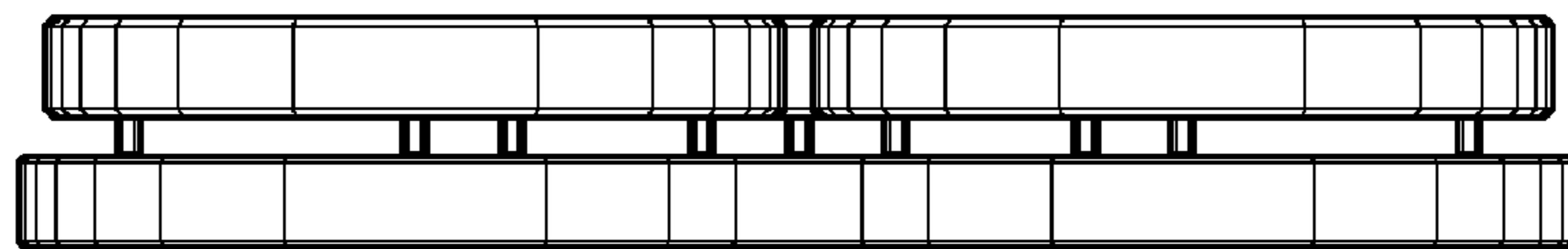


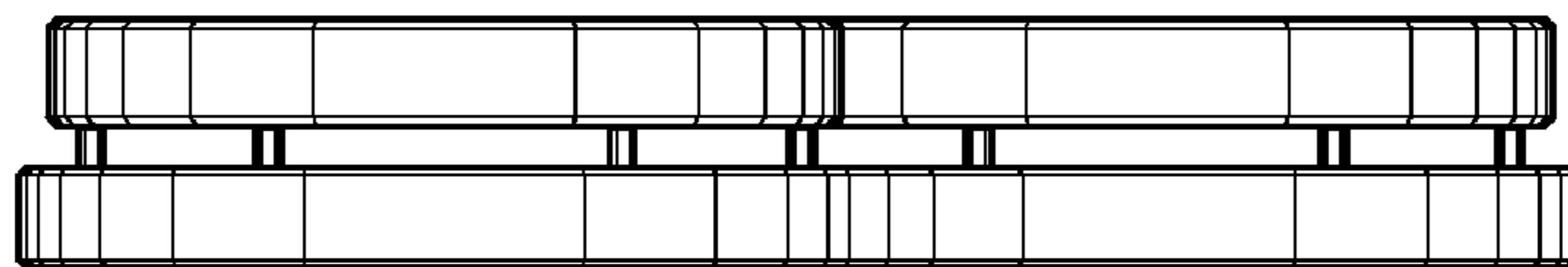
FIG. 3



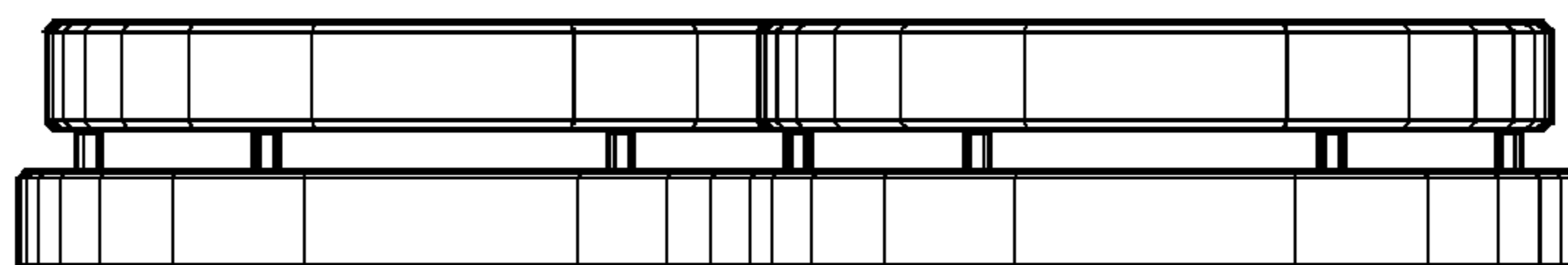
*FIG. 4*



*FIG. 5*



*FIG. 6*



*FIG. 7*