

US00D602514S

(12) **United States Design Patent**  
**Dittmer**

(10) **Patent No.:** **US D602,514 S**

(45) **Date of Patent:** **\*\* Oct. 20, 2009**

(54) **UNIVERSAL PROJECTOR MOUNT**

(75) Inventor: **Jay Dittmer**, Prior Lake, MN (US)

(73) Assignee: **Milestone AV Technologies LLC**,  
Savage, MN (US)

(\*\*) Term: **14 Years**

(21) Appl. No.: **29/319,672**

(22) Filed: **Jun. 12, 2008**

(51) **LOC (9) Cl.** ..... **16-05**

(52) **U.S. Cl.** ..... **D16/235; D16/242**

(58) **Field of Classification Search** ..... D16/221,  
D16/235, 242, 244-245; D8/349, 354-355;  
248/176.3, 221.11, 519, 523, 527, 917, 176.1,  
248/177.1, 187.1, 121, 278.1, 317, 344; 352/243,  
352/428

See application file for complete search history.

(56) **References Cited**

**U.S. PATENT DOCUMENTS**

|           |     |         |                    |       |         |
|-----------|-----|---------|--------------------|-------|---------|
| 958,644   | A * | 5/1910  | Huff               | ..... | 248/523 |
| 1,155,383 | A * | 10/1915 | Tischer            | ..... | 248/524 |
| 1,568,758 | A * | 1/1926  | Malcolm            | ..... | 248/523 |
| 4,964,606 | A   | 10/1990 | Beam et al.        |       |         |
| 4,967,508 | A * | 11/1990 | Reynolds           | ..... | 47/40.5 |
| 4,993,676 | A   | 2/1991  | Fitts et al.       |       |         |
| 5,009,384 | A   | 4/1991  | Gerke et al.       |       |         |
| 5,383,641 | A   | 1/1995  | Bergetz            |       |         |
| 5,490,655 | A   | 2/1996  | Bates              |       |         |
| 5,551,658 | A   | 9/1996  | Dittmer            |       |         |
| 5,621,846 | A   | 4/1997  | Smith et al.       |       |         |
| 5,730,410 | A   | 3/1998  | Archambault et al. |       |         |
| 5,938,161 | A   | 8/1999  | Takeuchi et al.    |       |         |
| 5,946,404 | A   | 8/1999  | Bakshi et al.      |       |         |
| 6,042,068 | A   | 3/2000  | Tcherny            |       |         |
| 6,527,238 | B2  | 3/2003  | Shental et al.     |       |         |
| 6,708,940 | B2  | 3/2004  | Ligertwood         |       |         |

|              |     |         |                   |       |         |
|--------------|-----|---------|-------------------|-------|---------|
| D504,305     | S * | 4/2005  | Gillespie et al.  | ..... | D8/355  |
| D513,470     | S * | 1/2006  | Gillespie et al.  | ..... | D8/355  |
| D540,367     | S   | 4/2007  | Dittmer           |       |         |
| D546,366     | S   | 7/2007  | Dittmer           |       |         |
| 2005/0161575 | A1  | 7/2005  | Friederich et al. |       |         |
| 2006/0291152 | A1* | 12/2006 | Bremmon           | ..... | 361/681 |

\* cited by examiner

*Primary Examiner*—Ian Simmons

*Assistant Examiner*—Wan Laymon

(74) *Attorney, Agent, or Firm*—Patterson, Thunte, Skaar & Christensen, PA

(57) **CLAIM**

The ornamental design for a universal projector mount, as shown and described.

**DESCRIPTION**

FIG. 1 is a front perspective view of a universal projector mount according to the invention;

FIG. 2 is a top plan view of the universal projector mount depicted in FIG. 1;

FIG. 3 is a bottom plan view of the universal projector mount depicted in FIG. 1;

FIG. 4 is a front elevation view of the universal projector mount depicted in FIG. 1;

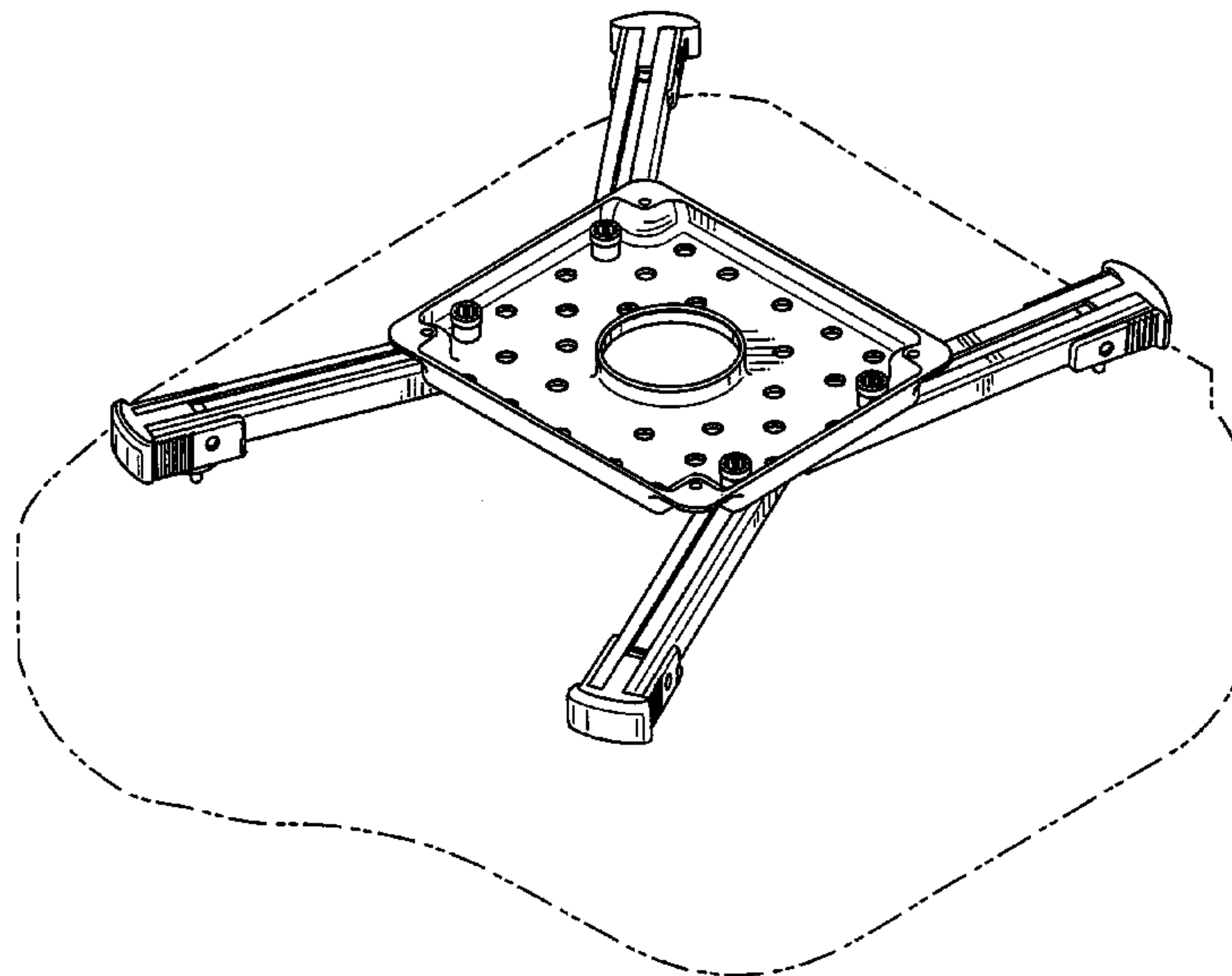
FIG. 5 is a side elevation view of the universal projector mount depicted in FIG. 1;

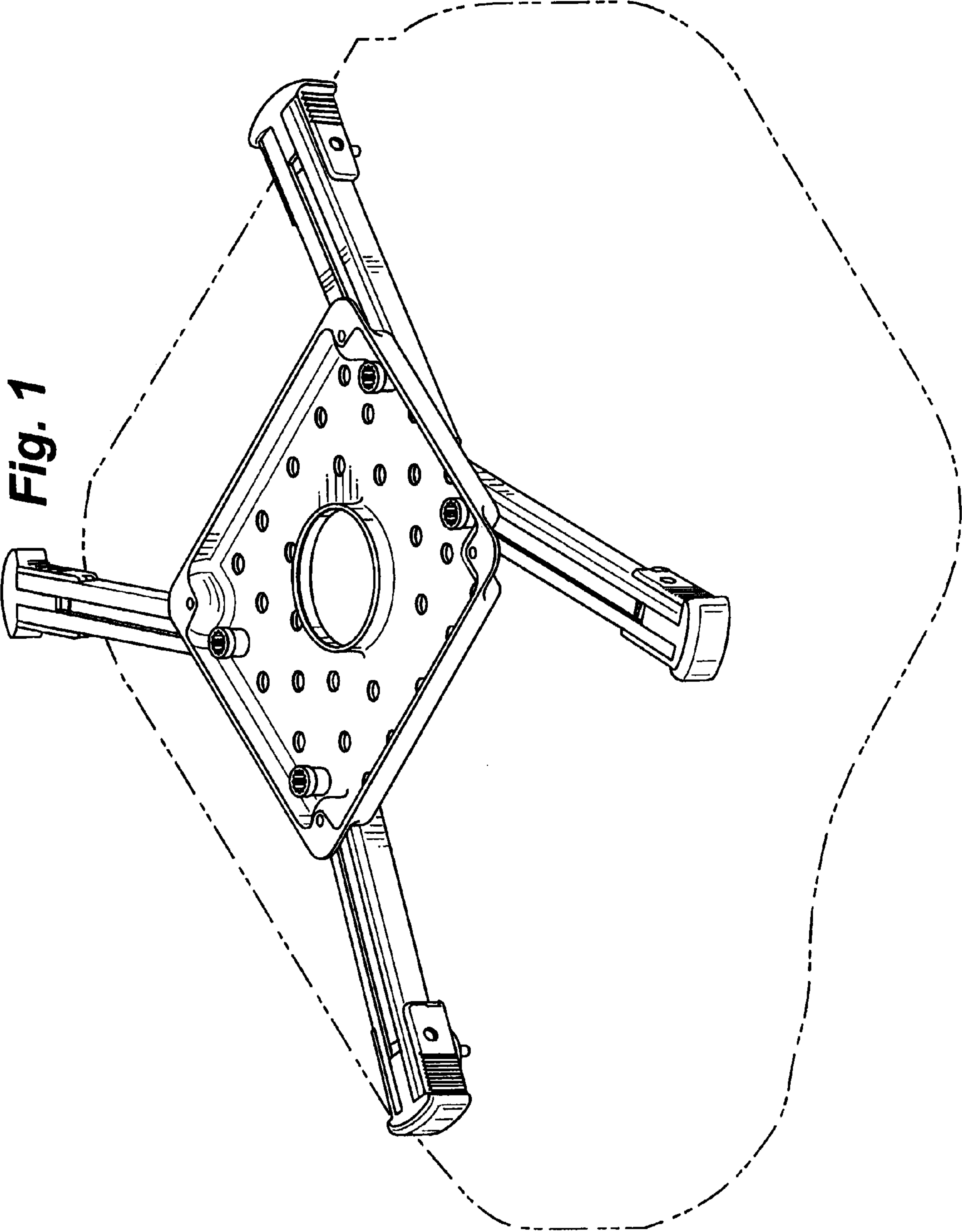
FIG. 6 is a rear elevation view of the universal projector mount depicted in FIG. 1; and,

FIG. 7 is an opposing side elevation view of the universal projector mount depicted in FIG. 1.

The broken line depiction of structure is included for the purpose of illustrating environment and forms no part of the claimed design.

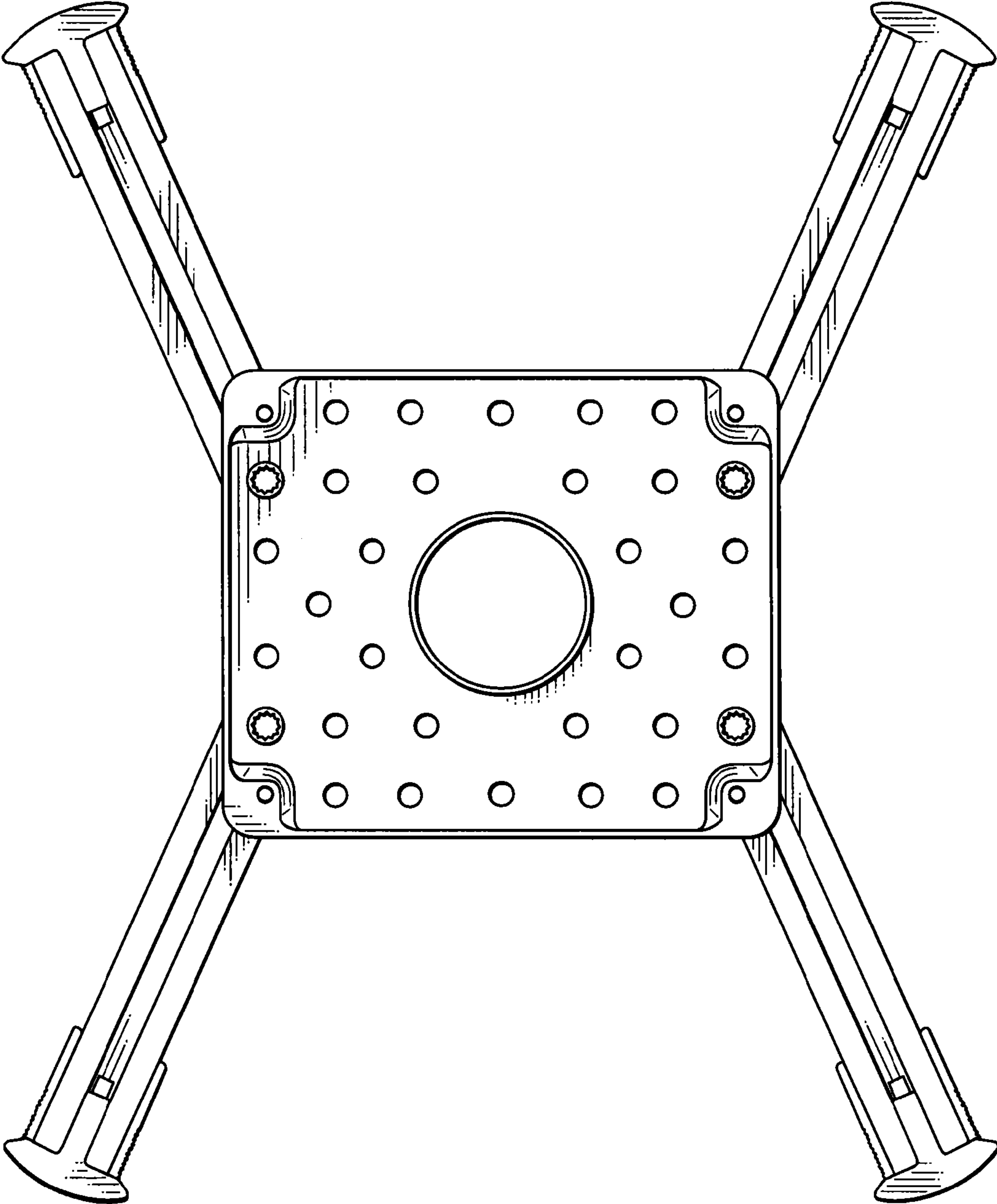
**1 Claim, 4 Drawing Sheets**



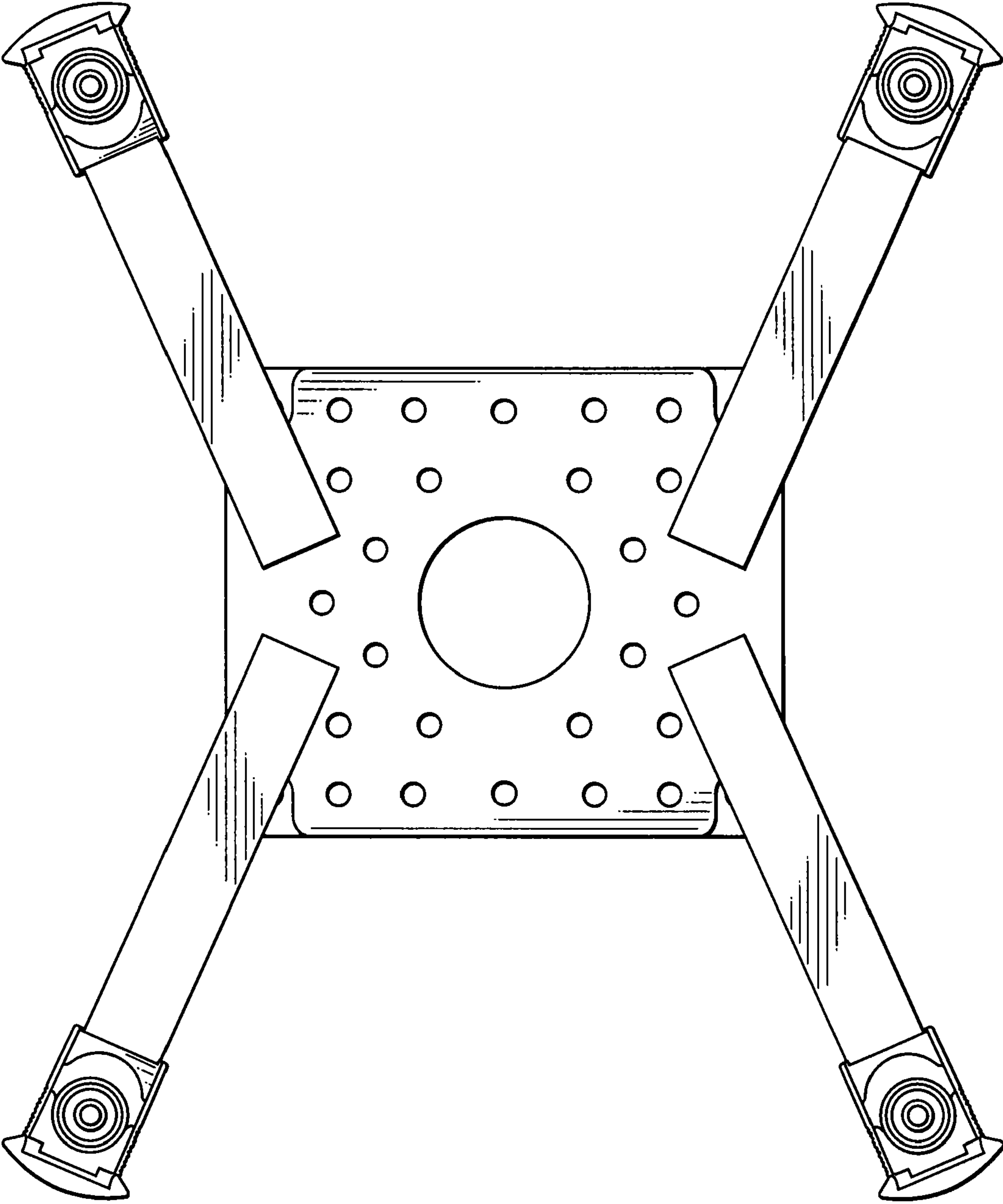


**Fig. 1**

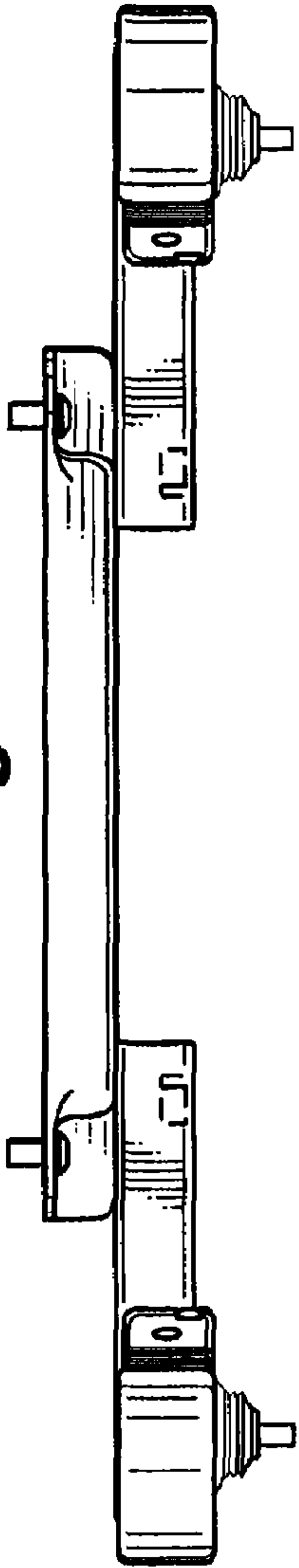
**Fig. 2**



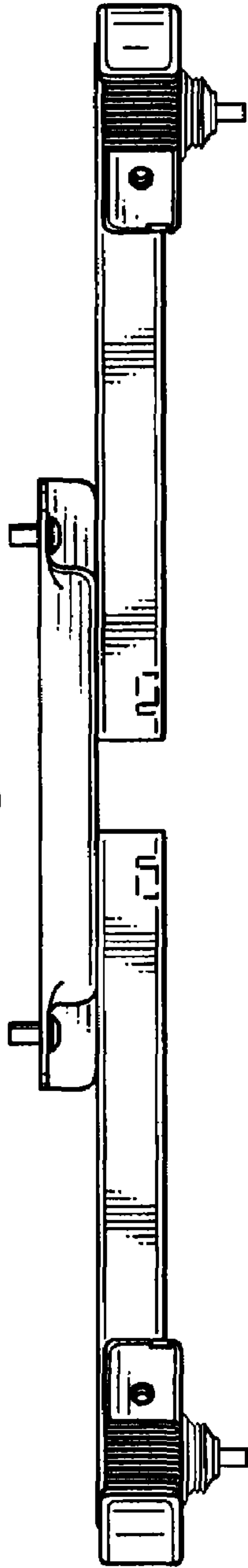
**Fig. 3**



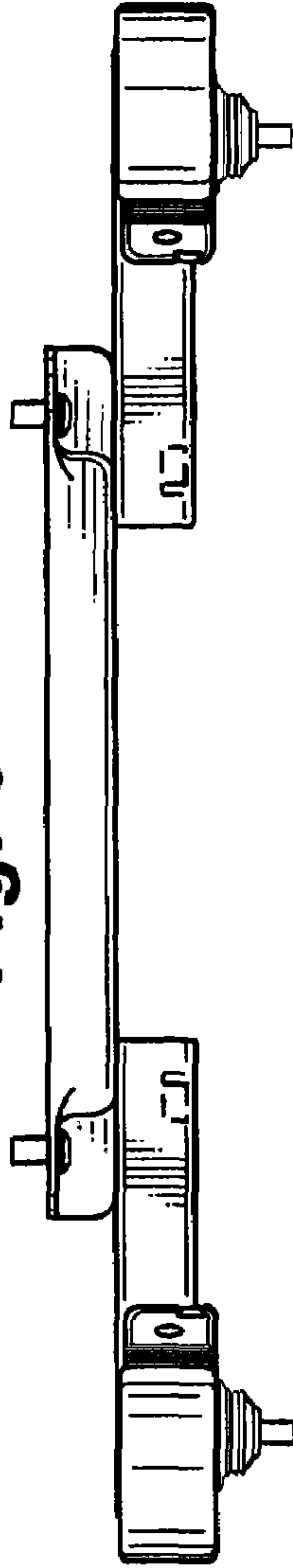
**Fig. 4**



**Fig. 5**



**Fig. 6**



**Fig. 7**

