



US00D602512S

(12) **United States Design Patent**
Walton et al.

(10) **Patent No.:** **US D602,512 S**
(45) **Date of Patent:** **** Oct. 20, 2009**

- (54) **PISTON ASSEMBLY**
 - (75) Inventors: **Frank A. Walton**, Ft. Worth, TX (US);
Jay A. Rasmussen, Richardson, TX (US)
 - (73) Assignee: **Dosmatic USA, Inc.**, Carrollton, TX (US)
 - (**) Term: **14 Years**
 - (21) Appl. No.: **29/326,806**
 - (22) Filed: **Oct. 24, 2008**
 - (51) **LOC (9) Cl.** **15-09**
 - (52) **U.S. Cl.** **D15/143**
 - (58) **Field of Classification Search** D15/5,
D15/7-9, 143, 148, 149; 92/127, 172, 193,
92/193.4, 212, 223, 224, 229, 237; 123/41.35,
123/47 A, 47 R, 50 A, 50 B, 129.1, 193.6;
227/103, 138, 163, 193, 194, 215, 216, 218,
227/222, 238 A; 417/546
- See application file for complete search history.

D590,840 S *	4/2009	Shea et al.	D15/5
2007/0151445 A1 *	7/2007	Chen	92/172
2008/0148933 A1 *	6/2008	Fisher et al.	92/172
2008/0184879 A1 *	8/2008	LoBiondo et al.	92/172

FOREIGN PATENT DOCUMENTS

WO 2005008060 A2 1/2005

* cited by examiner

Primary Examiner—Sandra Snapp

Assistant Examiner—Patricia Palasik

(74) *Attorney, Agent, or Firm*—Colin P. Cahoon; Bobby W. Braxton; Carstens & Cahoon, LLP

(57) **CLAIM**

The ornamental design for a piston assembly, as shown and described.

DESCRIPTION

FIG. 1 is a front perspective view of the piston assembly shown in a first position;

FIG. 2 is a top perspective view of the piston assembly shown in a first position;

FIG. 3 is a front elevation view of the piston assembly shown in a first position, with the rear elevation view being a mirror image of the front elevation view;

FIG. 4 is a right elevation view of the piston assembly shown in a first position;

FIG. 5 is a left elevation view of the piston assembly shown in a first position;

FIG. 6 is a top plan view of the piston assembly shown in a first position;

FIG. 7 is a bottom plan view of the piston assembly shown in a first position; and,

FIG. 8 is a front perspective view of the piston assembly shown in a second position.

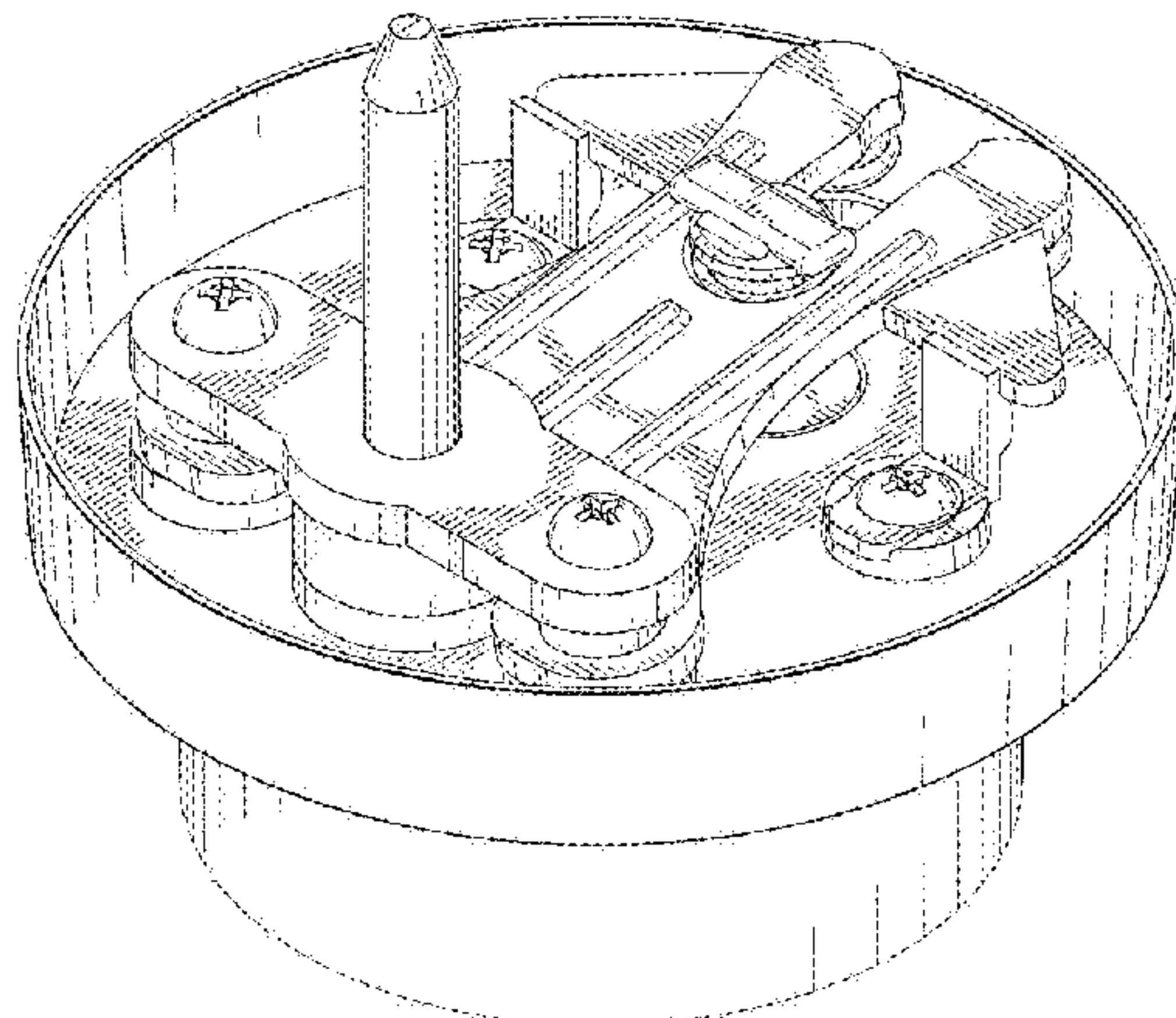
The broken line in FIGS. 1, 3-5, 7, and 8 which define the bounds of the claimed design form no part thereof.

(56) **References Cited**

U.S. PATENT DOCUMENTS

3,228,560 A	1/1966	Tacchi	
3,610,264 A	10/1971	Flagg	
3,963,038 A	6/1976	Jensen	
4,030,495 A	6/1977	Virag	
4,084,606 A	4/1978	Mittleman	
4,199,083 A	4/1980	LoMaglio	
4,558,715 A	12/1985	Walton et al.	
4,729,401 A	3/1988	Raines	
4,809,731 A	3/1989	Walton et al.	
5,137,435 A	8/1992	Walton	
5,144,884 A *	9/1992	Kelly	92/186
5,513,963 A	5/1996	Walton	
5,683,232 A	11/1997	Adahan	
5,951,265 A	9/1999	Bryant	
6,318,243 B1 *	11/2001	Jones	92/189
6,453,940 B1	9/2002	Tipton et al.	
6,684,753 B1	2/2004	Urrutia	
6,910,405 B2	6/2005	Walton et al.	
D555,670 S *	11/2007	Hwang	D15/9
D556,786 S *	12/2007	Chu	D15/9
7,344,006 B2 *	3/2008	Edmisten	188/71.5

1 Claim, 6 Drawing Sheets



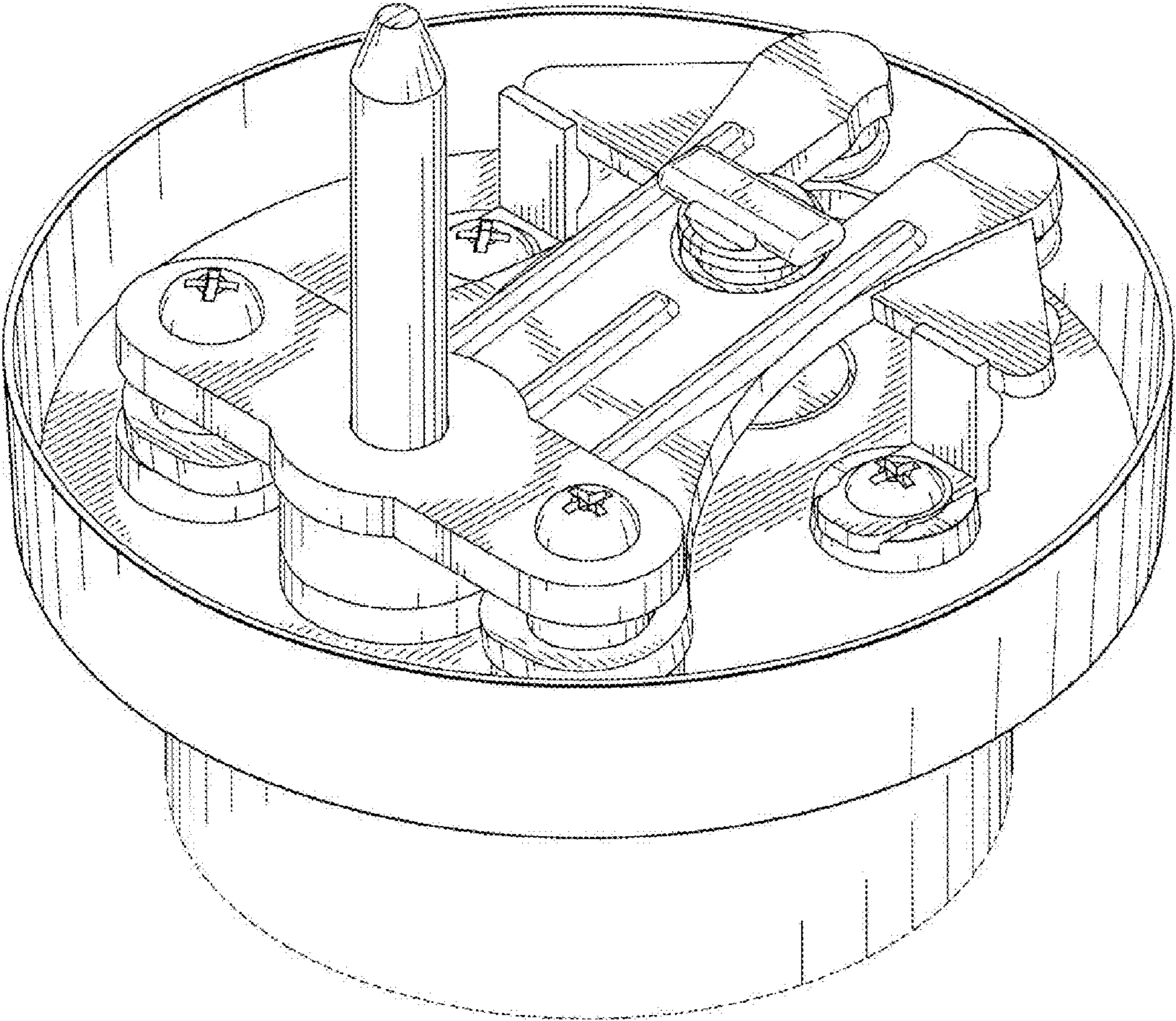


FIG. 1

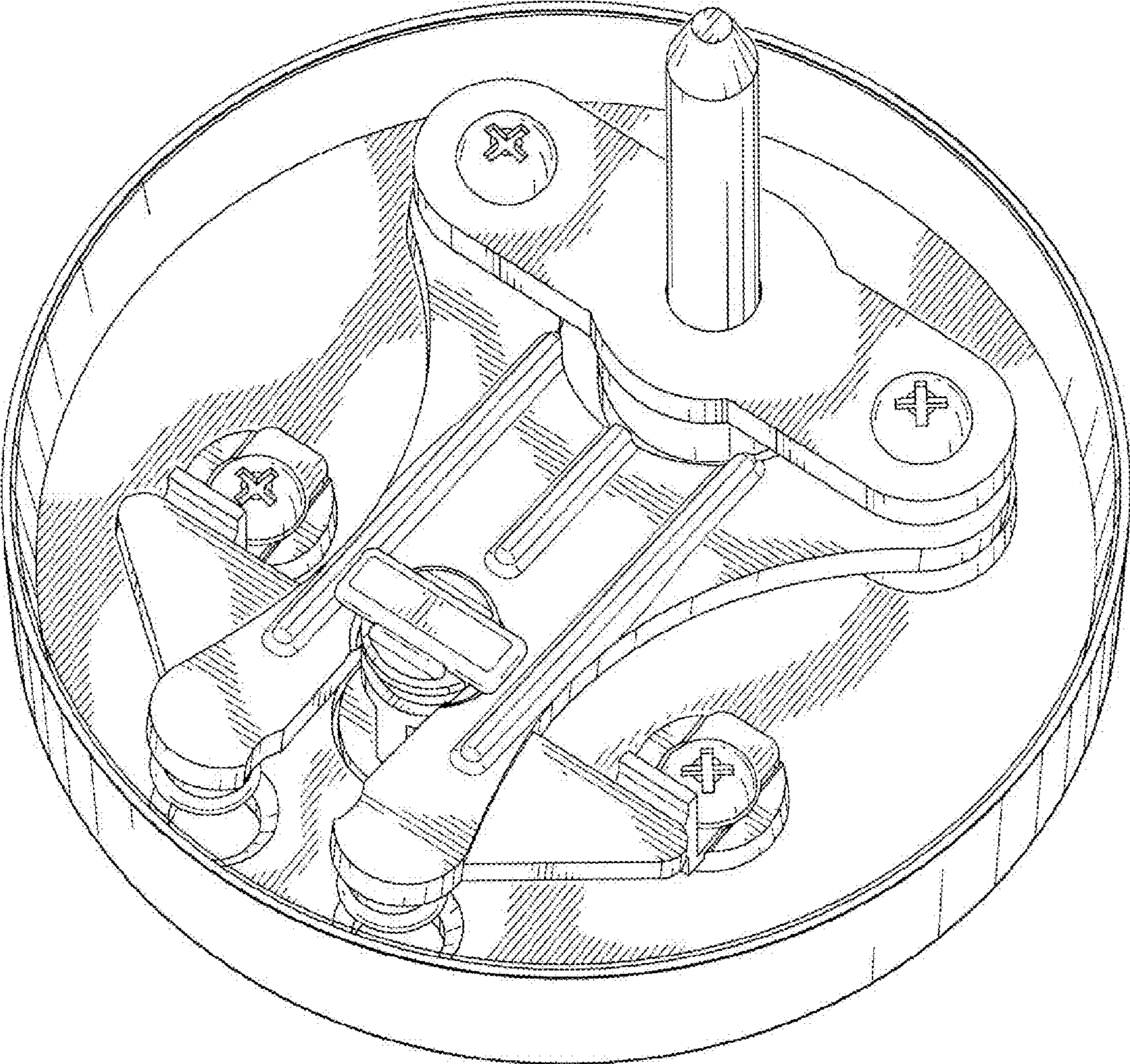


FIG. 2

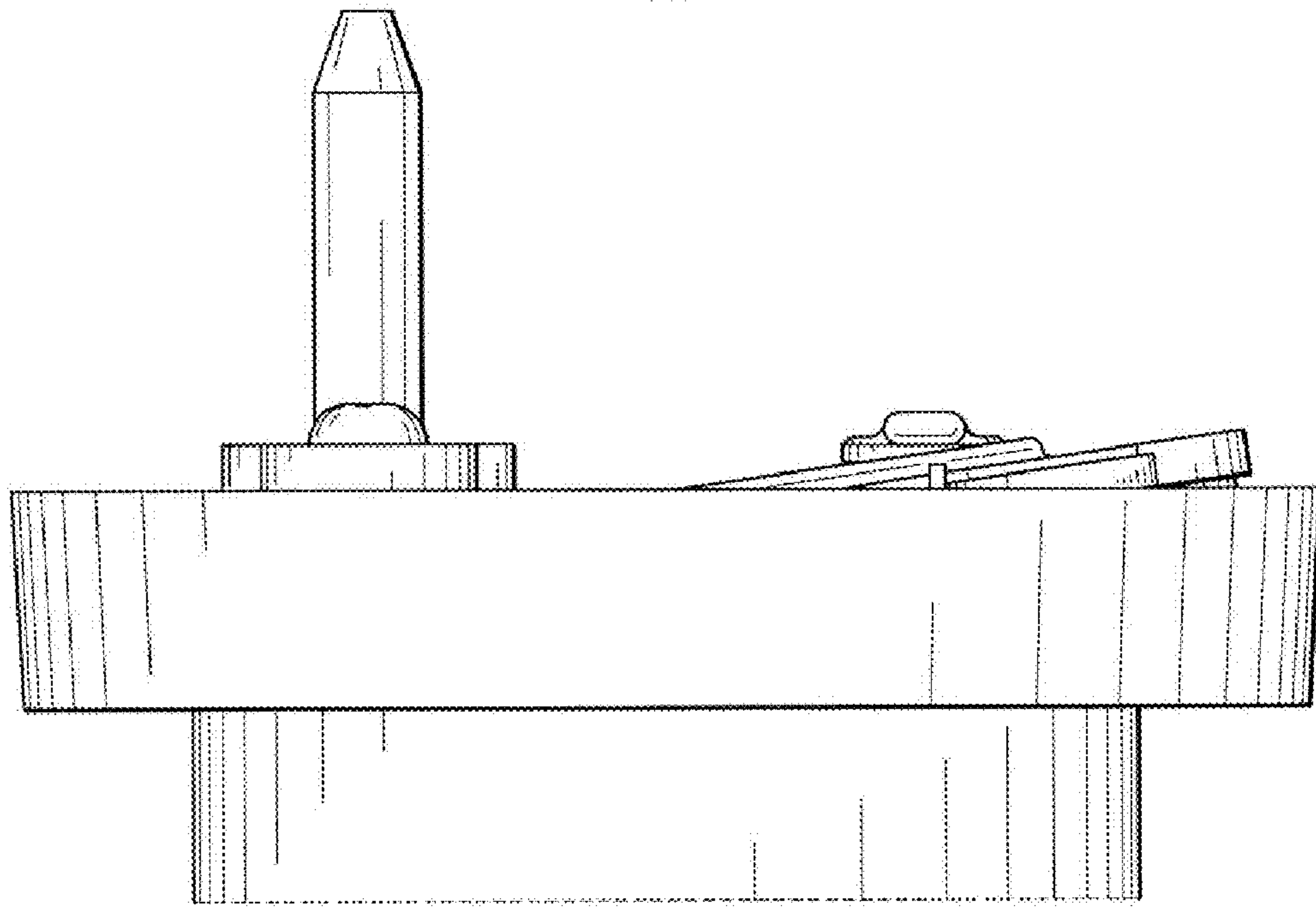


FIG. 3

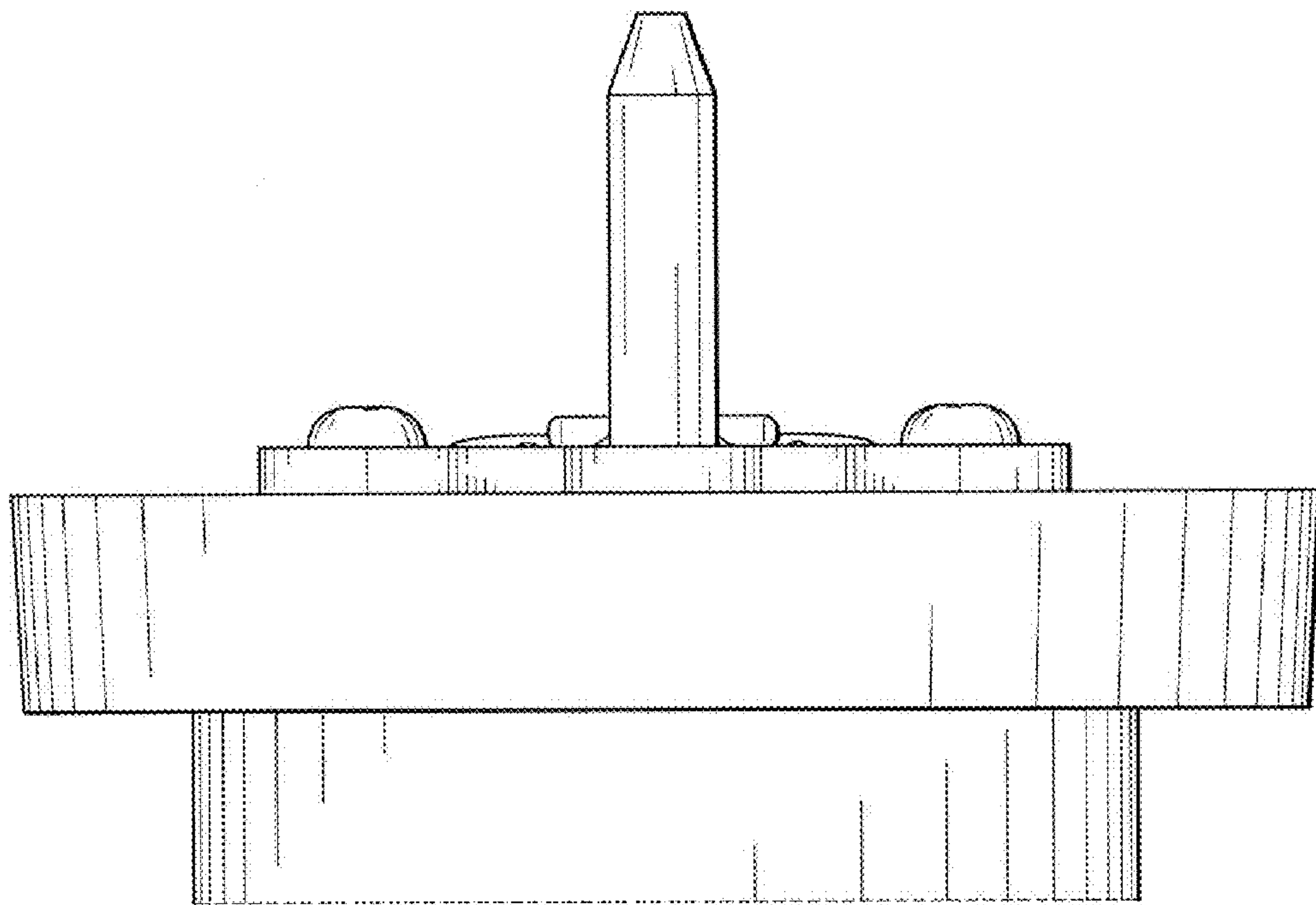


FIG. 4

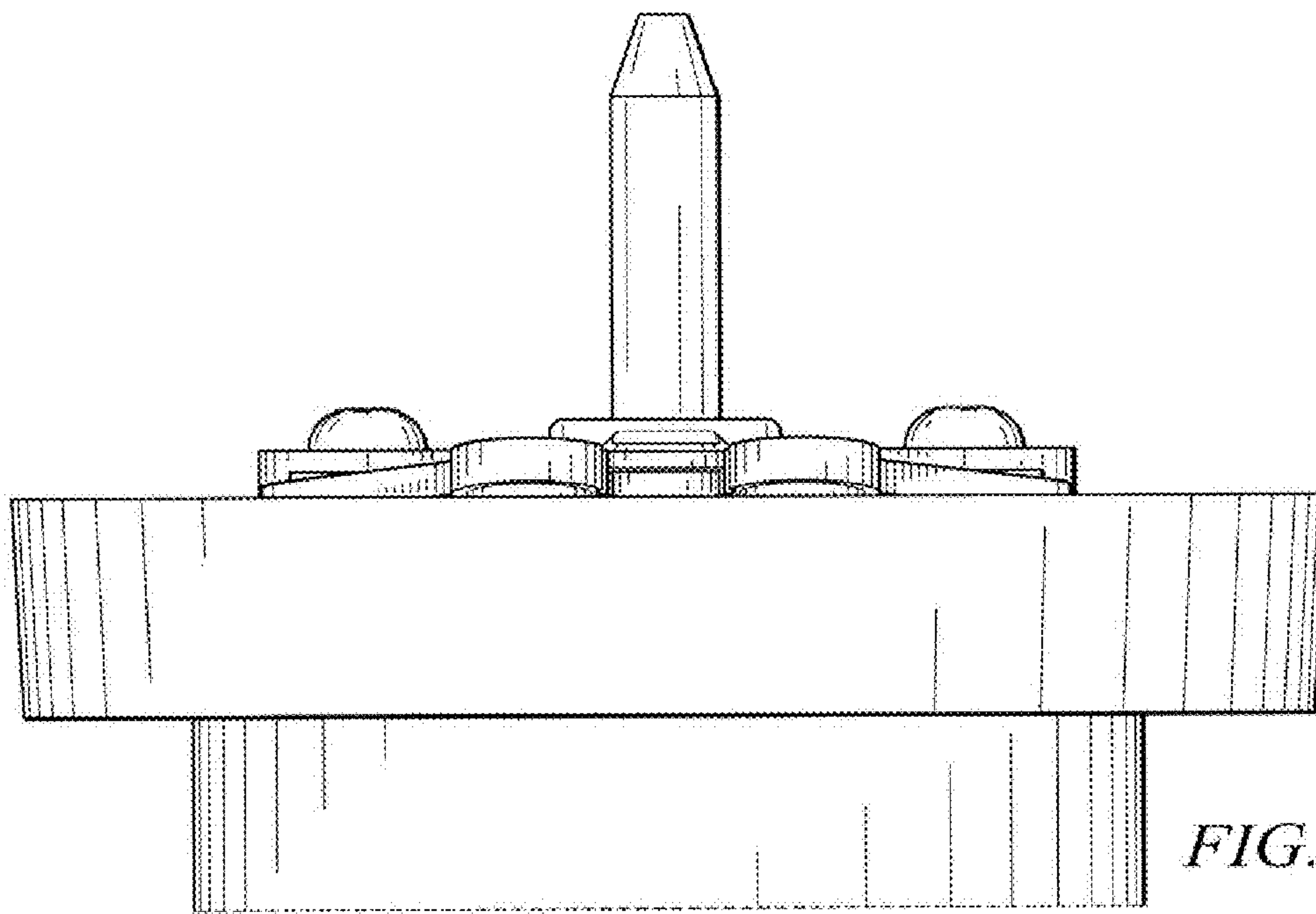


FIG. 5

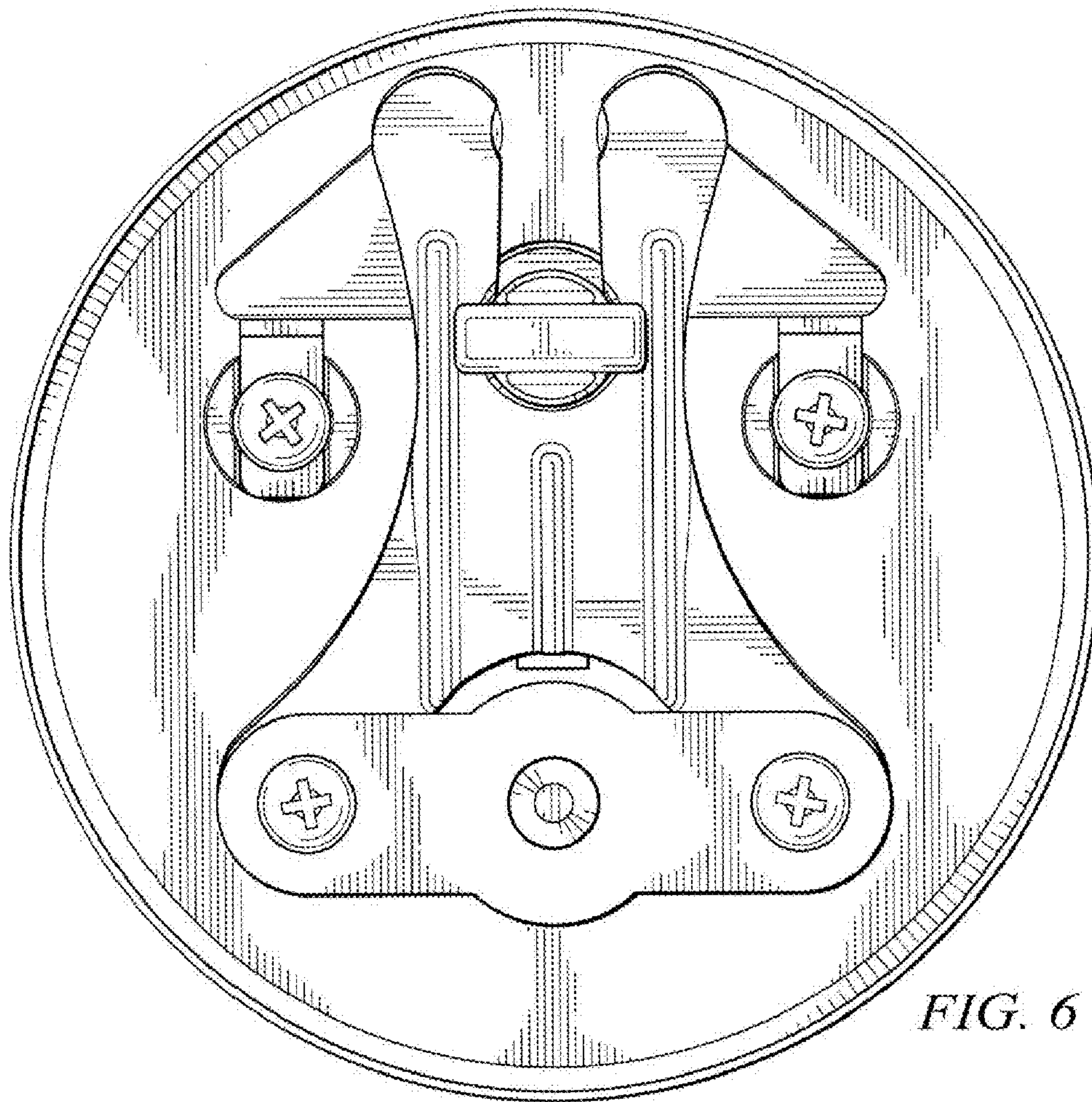


FIG. 6

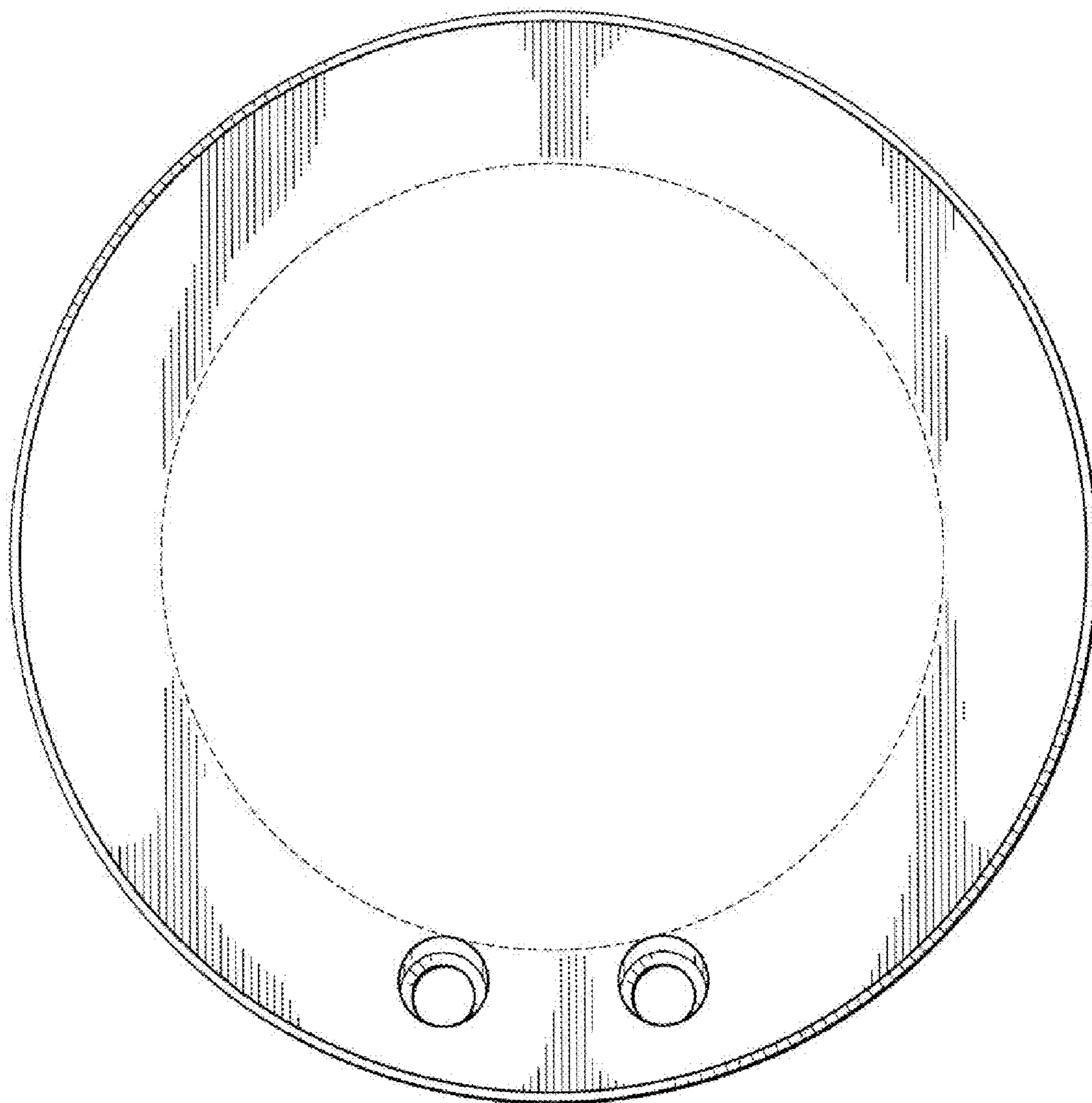


FIG. 7

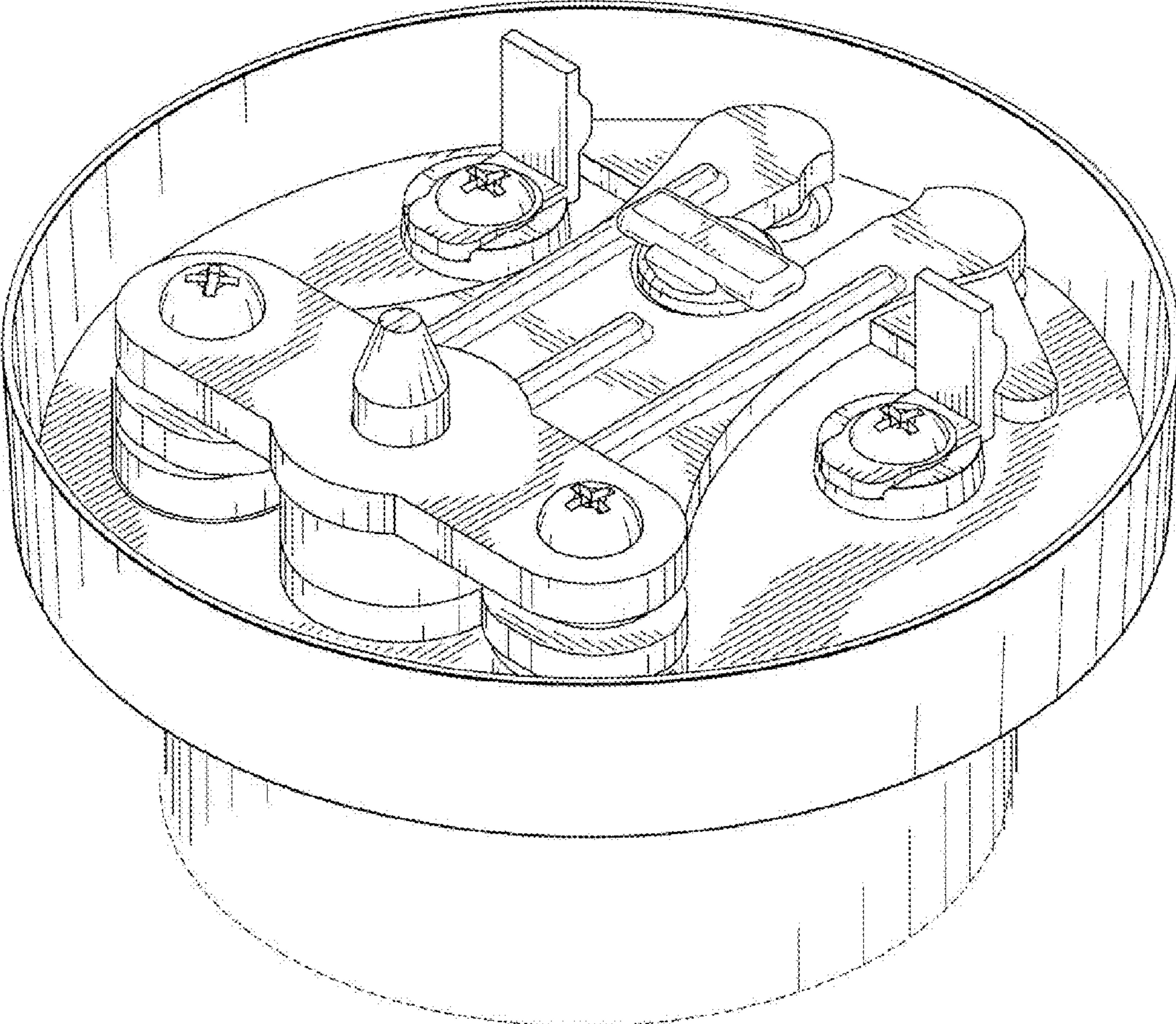


FIG. 8