



US00D602503S

(12) **United States Design Patent**
Lucchi

(10) **Patent No.:** **US D602,503 S**

(45) **Date of Patent:** **** Oct. 20, 2009**

(54) **FRAME WITH WHEEL AND TANKS FOR PORTABLE AIR COMPRESSOR**

D555,173 S * 11/2007 Smith et al. D15/9
D556,219 S * 11/2007 Buck D15/9

(75) Inventor: **Fabio Lucchi**, Fraz. Pontecchio-Sasso Marconi (IT)

* cited by examiner

Primary Examiner—R. Seifert

(73) Assignee: **F.I.A.C. S.p.A.**, Pontecchio Marconi (IT)

(74) *Attorney, Agent, or Firm*—Pearne & Gordon LLP

(**) Term: **14 Years**

(57) **CLAIM**

(21) Appl. No.: **29/334,644**

The ornamental design for a frame with wheel and tanks for portable air compressor, as shown and described.

(22) Filed: **Mar. 30, 2009**

DESCRIPTION

(51) **LOC (9) Cl.** **15-02**

(52) **U.S. Cl.** **D15/9**

(58) **Field of Classification Search** D15/7-9;
D23/231, 232, 225; 417/410.1, 359, 415-416,
417/234, 321, 265, 405

See application file for complete search history.

FIG. 1 is a perspective view of a frame with wheel and tanks for portable air compressor, showing my new design;

FIG. 2 is a front elevational view thereof;

FIG. 3 is a left side elevational view thereof;

FIG. 4 is a back elevational view thereof;

FIG. 5 is a right side elevational view thereof;

FIG. 6 is a top plan view thereof; and,

FIG. 7 is a bottom plan view thereof.

The material shown in broken lines depicts environmental subject matter only and forms no part of the claimed design.

(56) **References Cited**

U.S. PATENT DOCUMENTS

6,582,201	B2 *	6/2003	Lucchi	417/234
D500,051	S *	12/2004	Lucchi	D15/9
D500,328	S *	12/2004	Lucchi	D15/9
D516,092	S *	2/2006	Buck	D15/9
D529,048	S *	9/2006	Sharp	D15/9

1 Claim, 4 Drawing Sheets

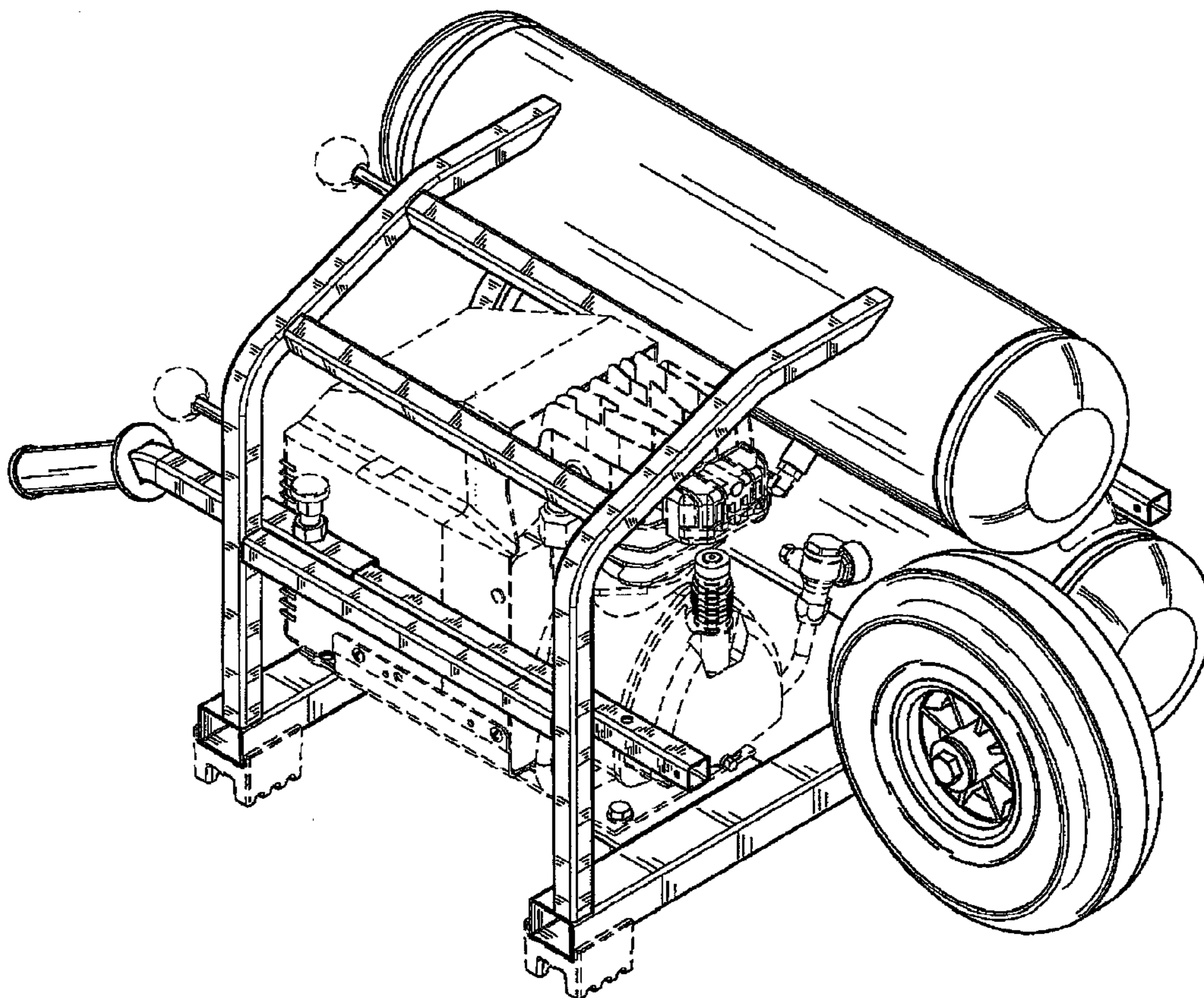


FIG.1

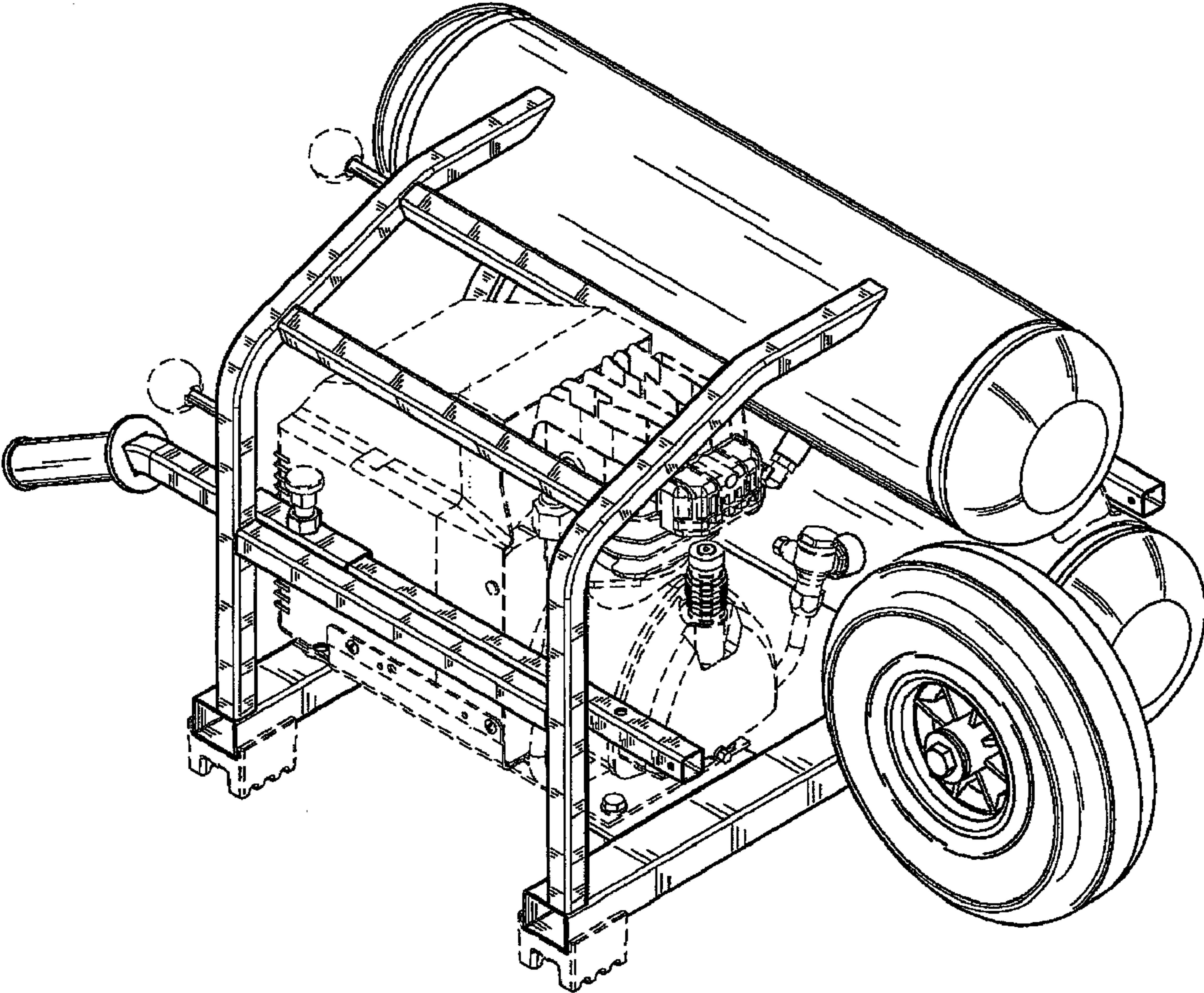


FIG.2

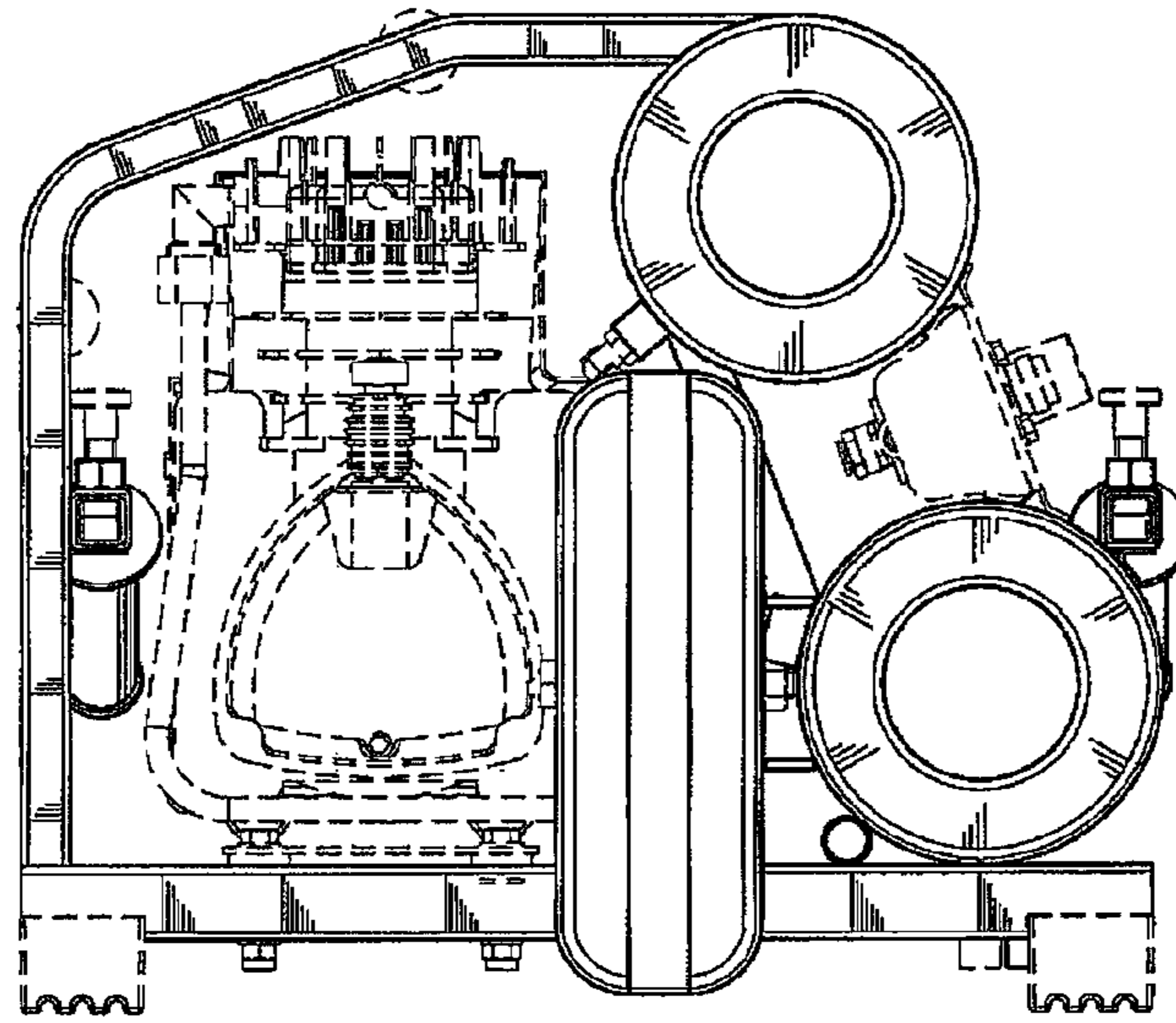


FIG.3

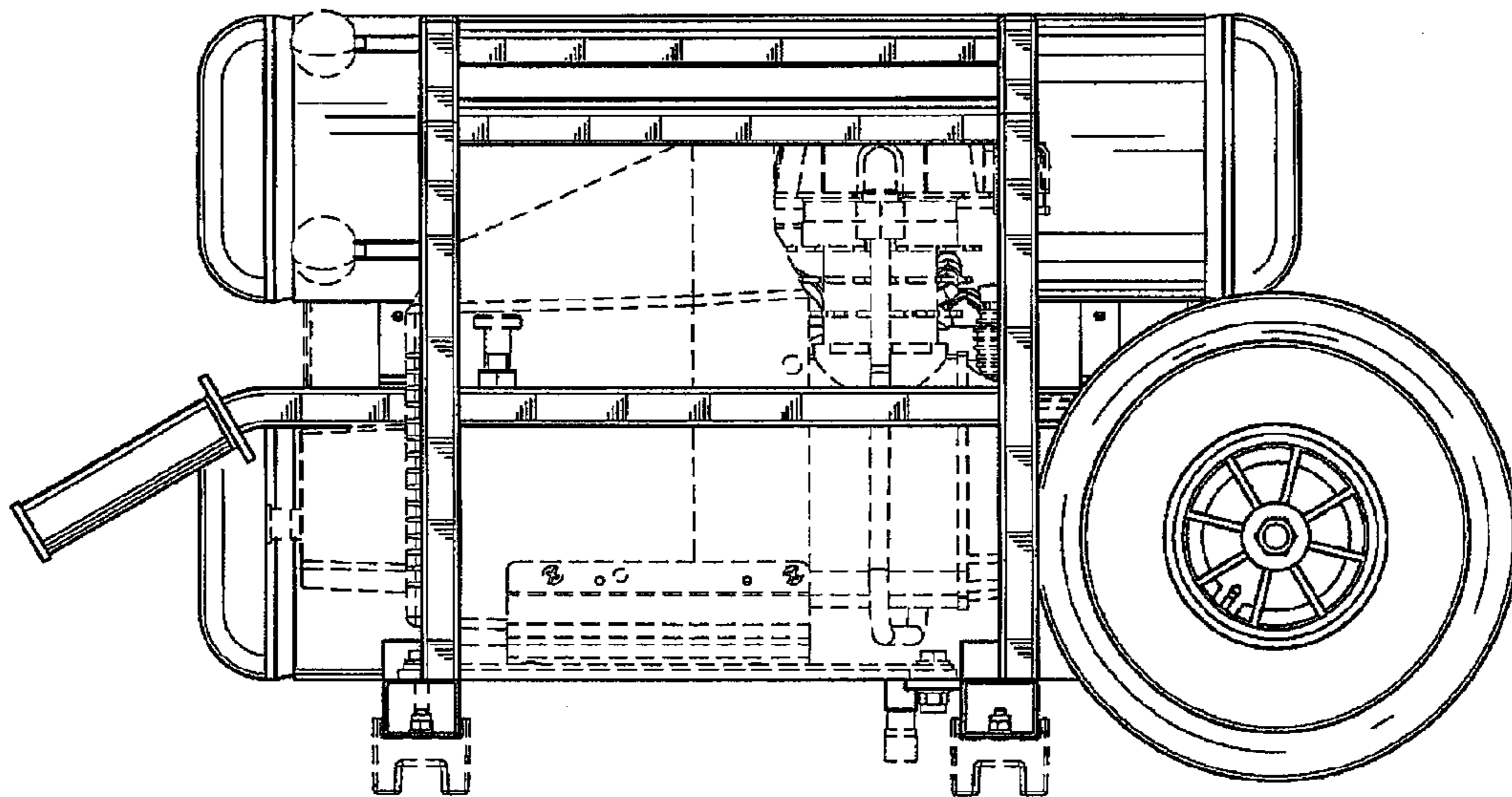


FIG.4

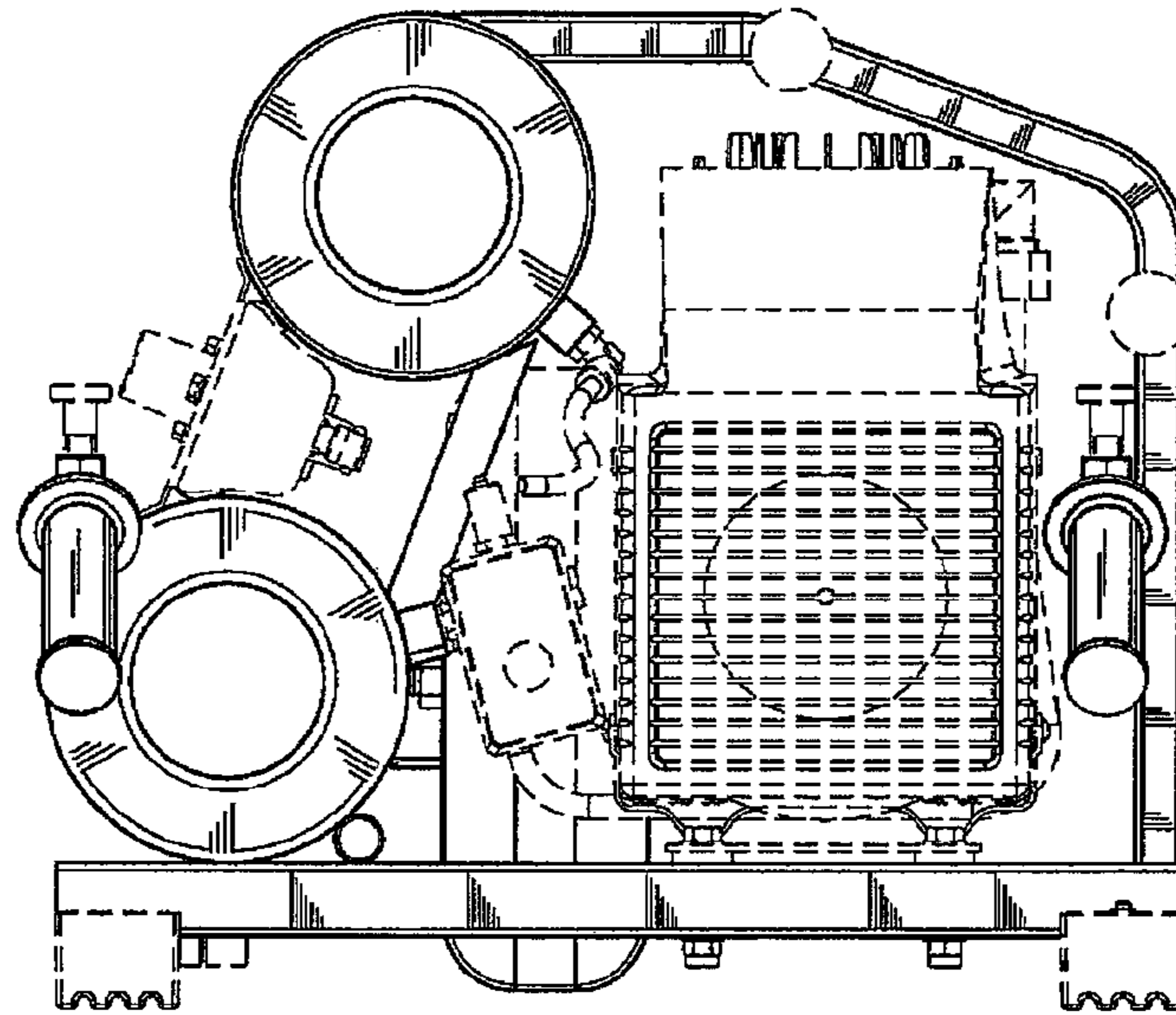


FIG.5

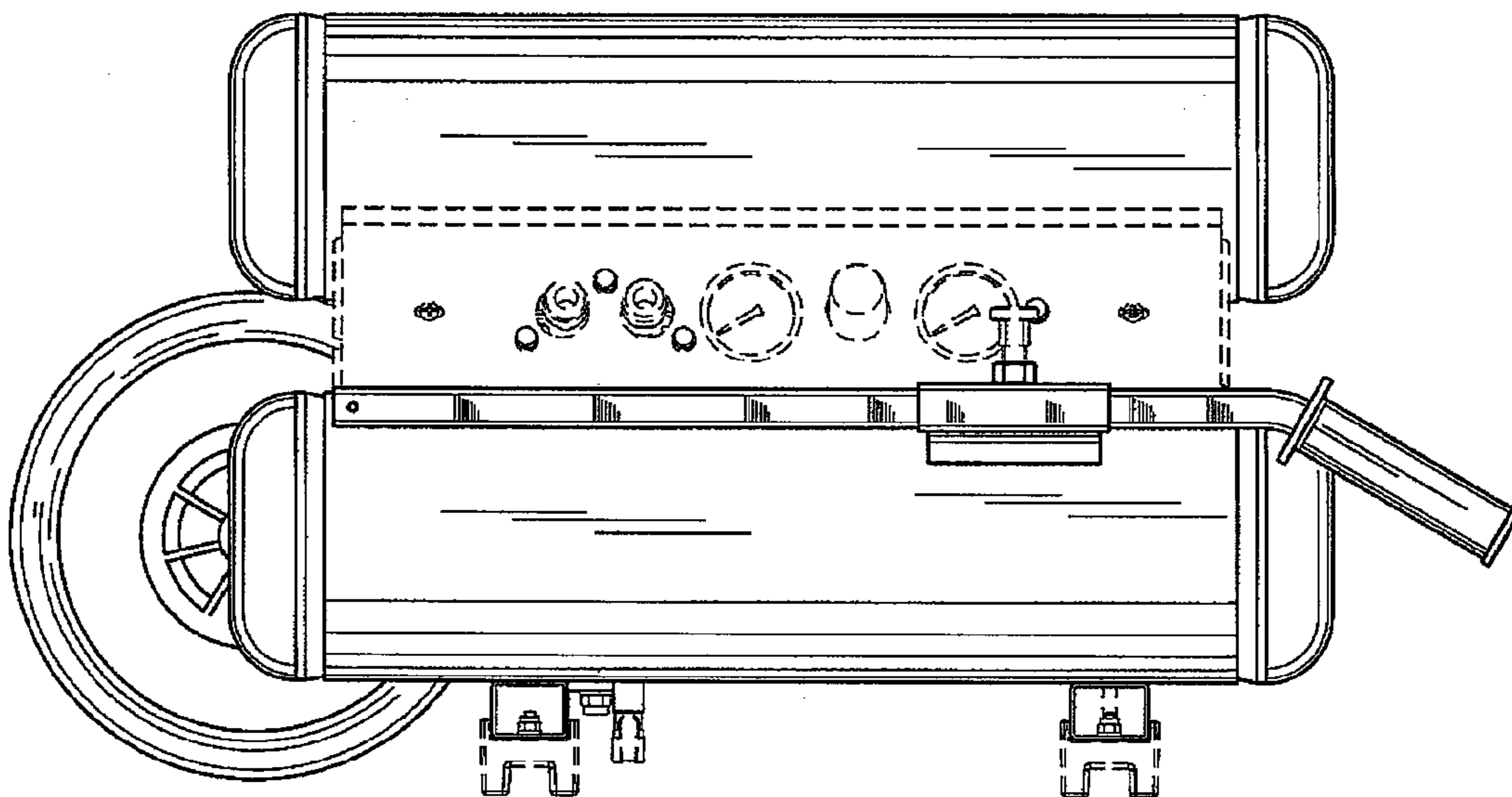


FIG.6

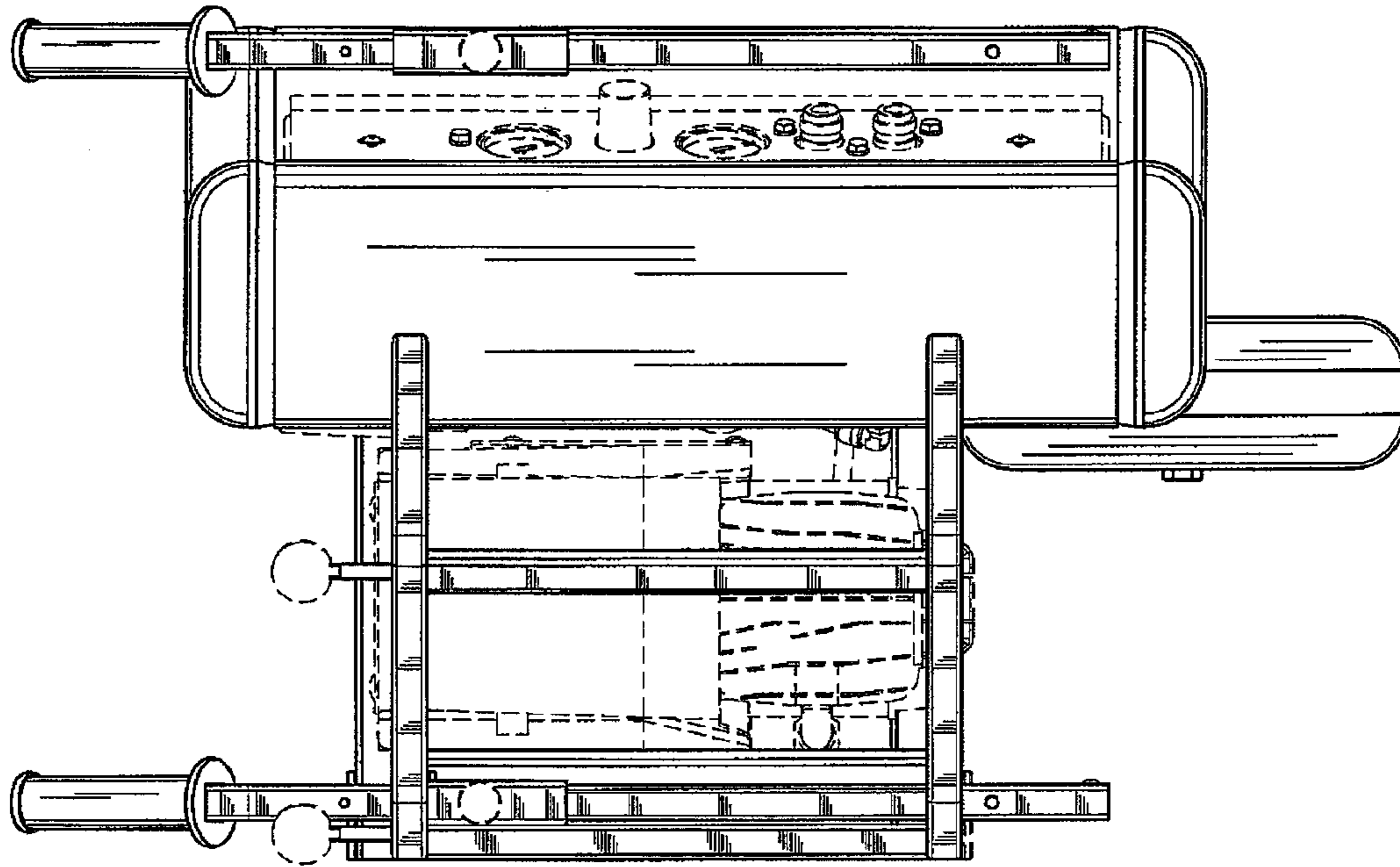


FIG.7

