



US00D602501S

(12) **United States Design Patent**  
**Ton**

(10) **Patent No.:** **US D602,501 S**

(45) **Date of Patent:** **\*\* Oct. 20, 2009**

(54) **PUMP COVER**

D507,578 S \* 7/2005 Hirakawa et al. .... D15/7  
D520,026 S \* 5/2006 Hulks ..... D15/9  
D589,060 S \* 3/2009 Metcalfe ..... D15/7

(76) **Inventor:** **Quy That Ton**, 3131 Dairymple Dr.,  
Baton Rouge, LA (US) 70802

\* cited by examiner

(\*\*) **Term:** **14 Years**

*Primary Examiner*—R. Seifert

(21) **Appl. No.:** **29/321,005**

(74) *Attorney, Agent, or Firm*—Duane Morris LLP

(22) **Filed:** **Jul. 9, 2008**

(57) **CLAIM**

(51) **LOC (9) Cl.** ..... **15-02**

The ornamental design of the pump cover, as shown and described.

(52) **U.S. Cl.** ..... **D15/7**

(58) **Field of Classification Search** ..... D15/7-9;  
D23/231, 232, 225; 417/410.1, 359, 415-416,  
417/234, 321, 265, 405

**DESCRIPTION**

See application file for complete search history.

FIG. 1 is a top front view of my new pump cover;  
FIG. 2 is a top view showing the top of the pump cover, such  
as that shown in FIG. 1; and,

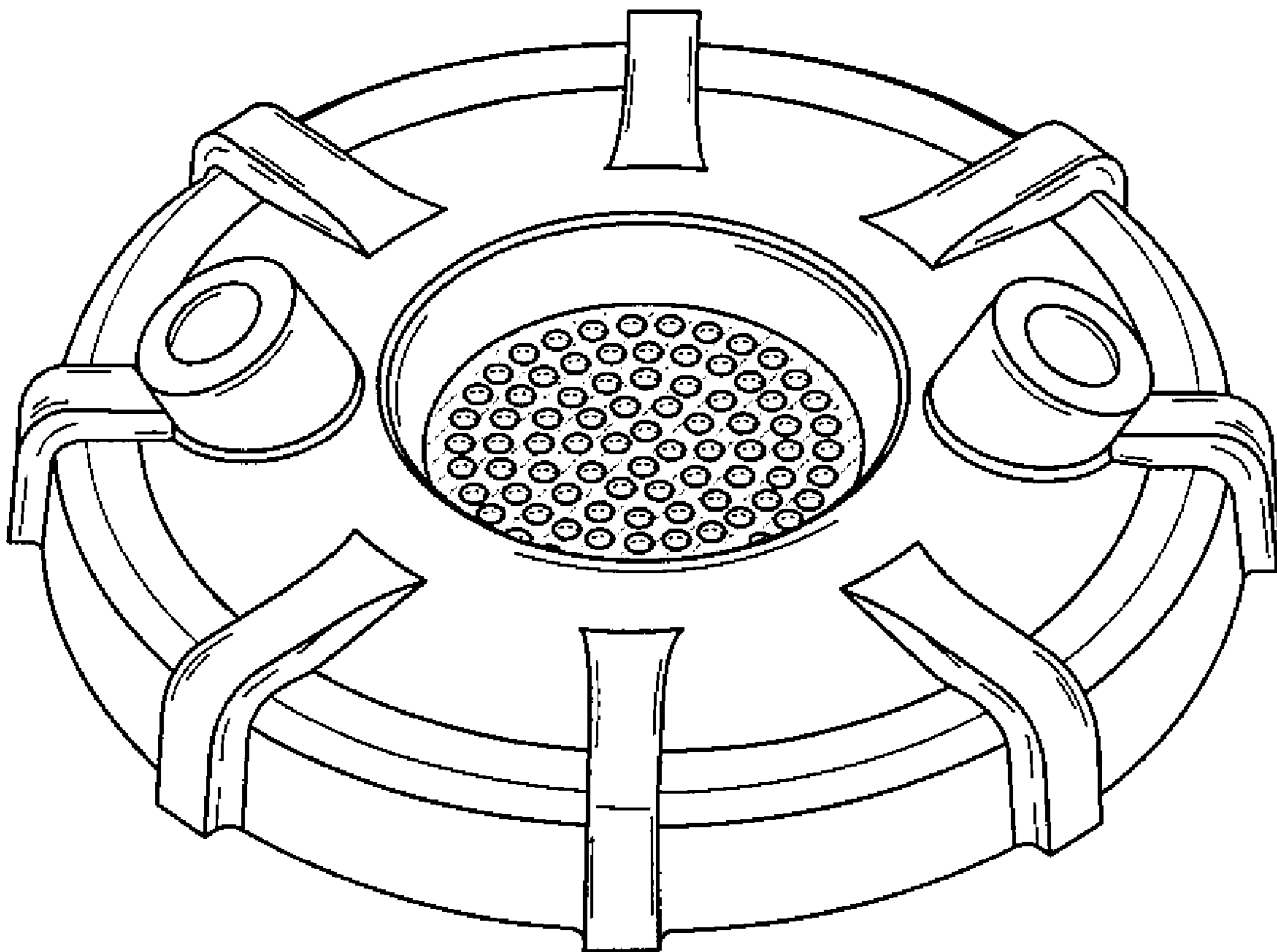
(56) **References Cited**

FIG. 3 is a bottom front view showing the bottom of the pump  
cover, such as that shown in FIG. 1.

**U.S. PATENT DOCUMENTS**

D494,192 S \* 8/2004 Hirakawa et al. .... D15/7

**1 Claim, 2 Drawing Sheets**



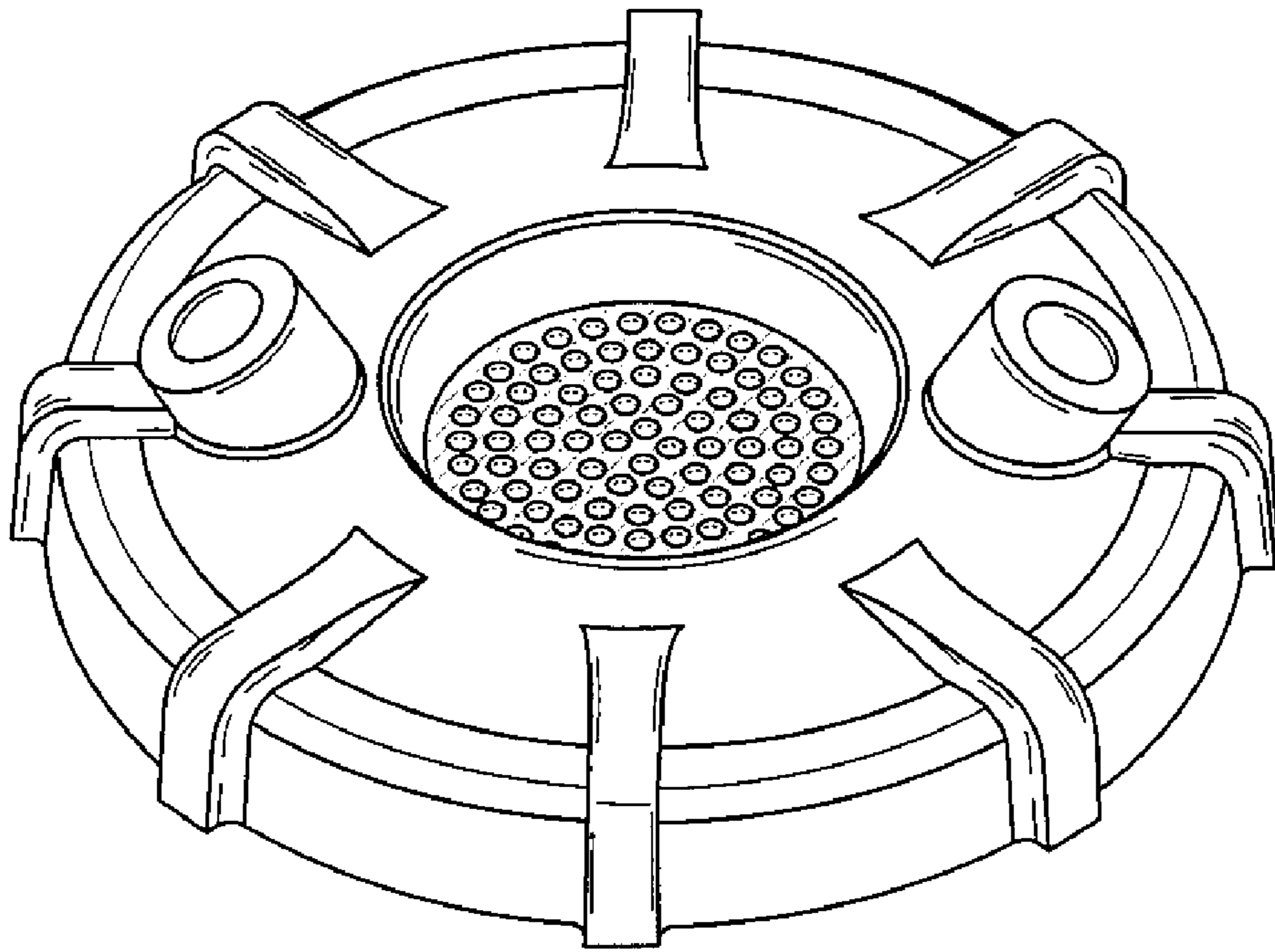


Fig. 1

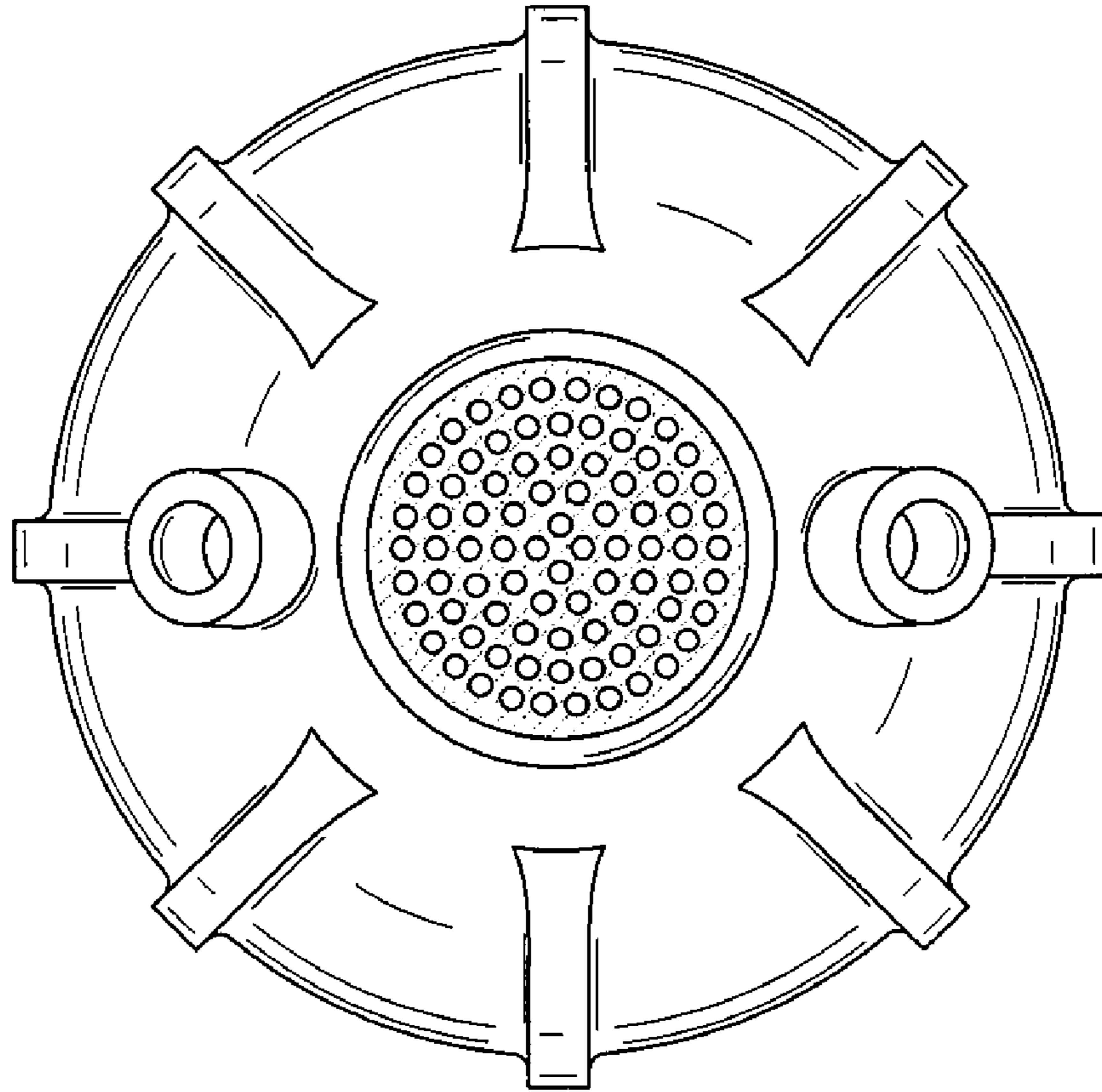


Fig. 2

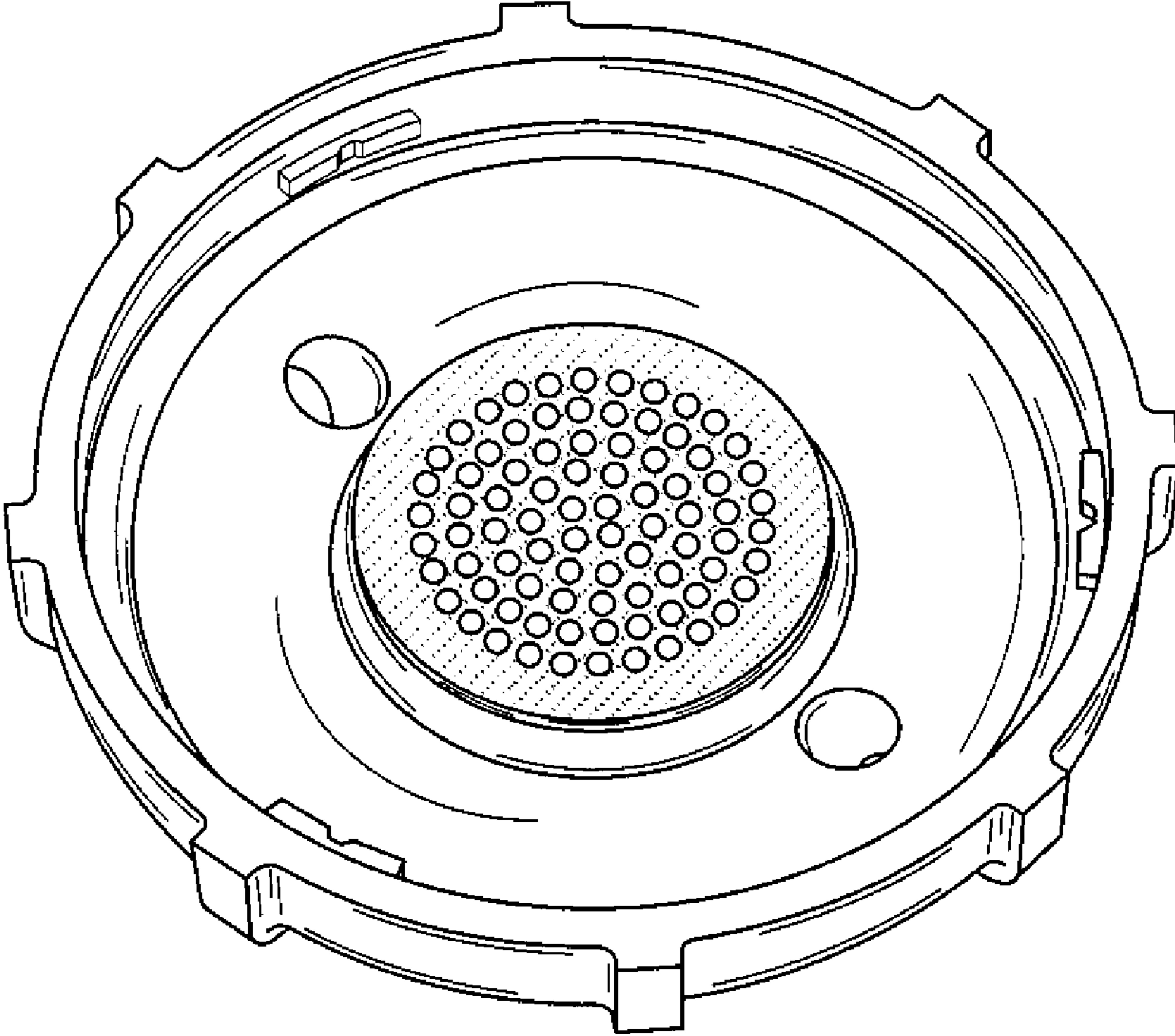


Fig. 3