



US00D602500S

(12) **United States Design Patent**  
**Tokunaga et al.**

(10) **Patent No.:** **US D602,500 S**

(45) **Date of Patent:** **\*\* Oct. 20, 2009**

(54) **PUMP**

(75) Inventors: **Ryohei Tokunaga**, Kurume (JP);  
**Masahiro Hirata**, Kurume (JP);  
**Hidetoshi Ueda**, Onojo (JP)

(73) Assignee: **Panasonic Electric Works Co., Ltd.**,  
Osaka (JP)

(\*\*) Term: **14 Years**

(21) Appl. No.: **29/313,094**

(22) Filed: **Dec. 5, 2008**

(30) **Foreign Application Priority Data**

Jun. 11, 2008 (JP) ..... 2008-014897

(51) **LOC (9) Cl.** ..... **15-02**

(52) **U.S. Cl.** ..... **D15/7**

(58) **Field of Classification Search** ..... D15/7-9;  
D23/231, 232, 225; 417/410.1, 359, 415-416,  
417/234, 321, 265, 405

See application file for complete search history.

(56) **References Cited**

**U.S. PATENT DOCUMENTS**

- D483,041 S \* 12/2003 Niwatsukino et al. .... D15/7
- D492,325 S \* 6/2004 Niwatsukino et al. .... D15/7
- D517,019 S \* 3/2006 Yao et al. .... D13/154
- D520,023 S \* 5/2006 Goto et al. .... D15/7
- D520,024 S \* 5/2006 Chen ..... D15/7
- D534,548 S \* 1/2007 Urano et al. .... D15/7
- D537,844 S \* 3/2007 Chu ..... D15/9
- D582,944 S \* 12/2008 Turgut ..... D15/7

\* cited by examiner

*Primary Examiner*—R. Seifert

(74) *Attorney, Agent, or Firm*—Osha • Liang LLP

(57) **CLAIM**

The ornamental design for a pump, as shown and described.

**DESCRIPTION**

FIG. 1 is a top and left side perspective view of a design for a pump according to the invention.

FIG. 2 is a top and right side perspective view of the design according to the invention.

FIG. 3 is a front view of the design according to the invention.

FIG. 4 is a right side view of the design according to the invention.

FIG. 5 is a top view of the design according to the invention.

FIG. 6 is a left side view of the design according to the invention.

FIG. 7 is a bottom view of the design according to the invention.

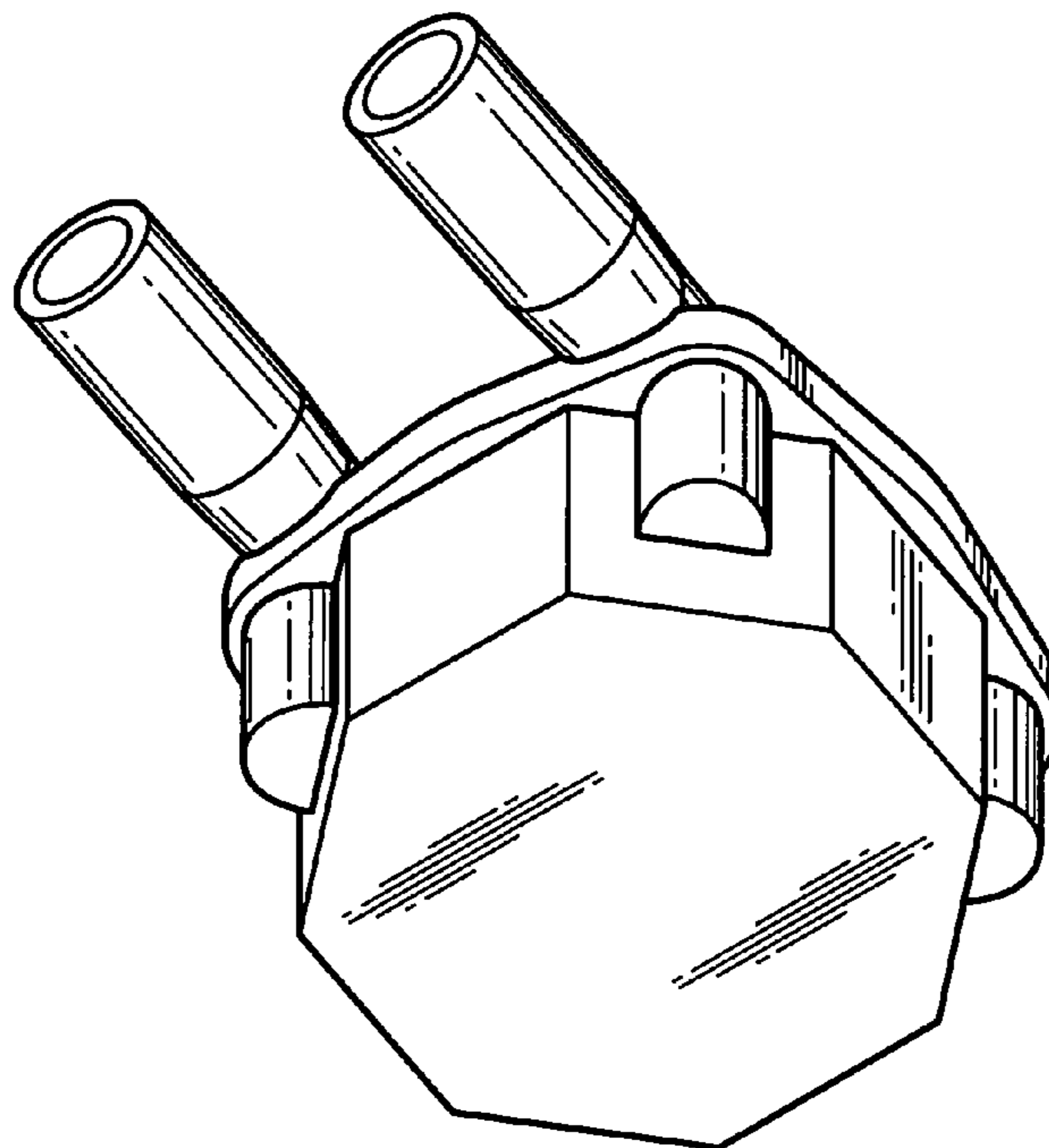
FIG. 8 is a sectional view of the design along the line 8—8 in FIG. 5 according to the invention where the internal components are omitted; and,

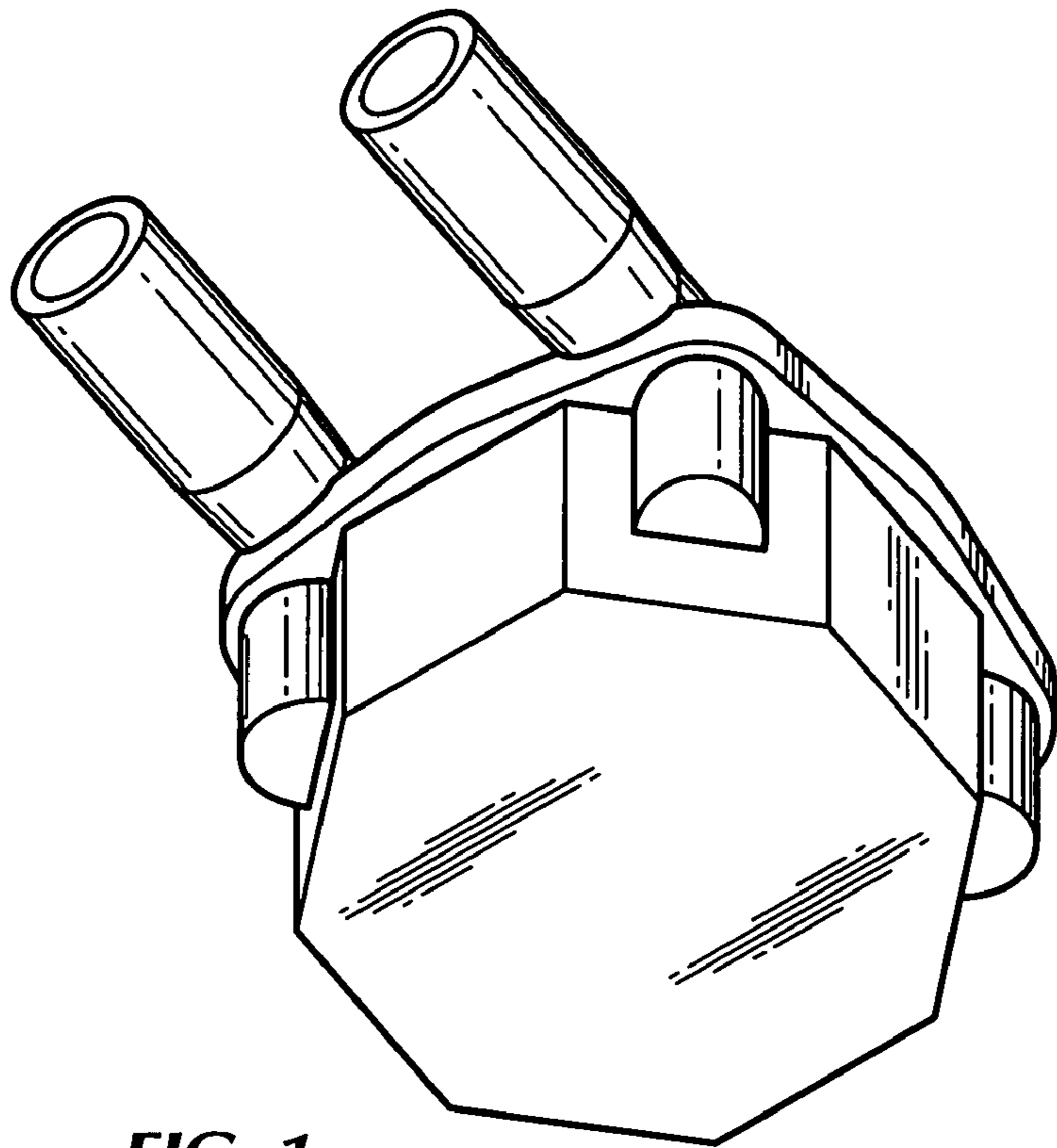
FIG. 9 is a sectional view of the design along the line 9—9 in FIG. 5 according to the invention where the internal components are omitted.

A rear view of the design according to the invention is a mirror image of the front view as shown in FIG. 3.

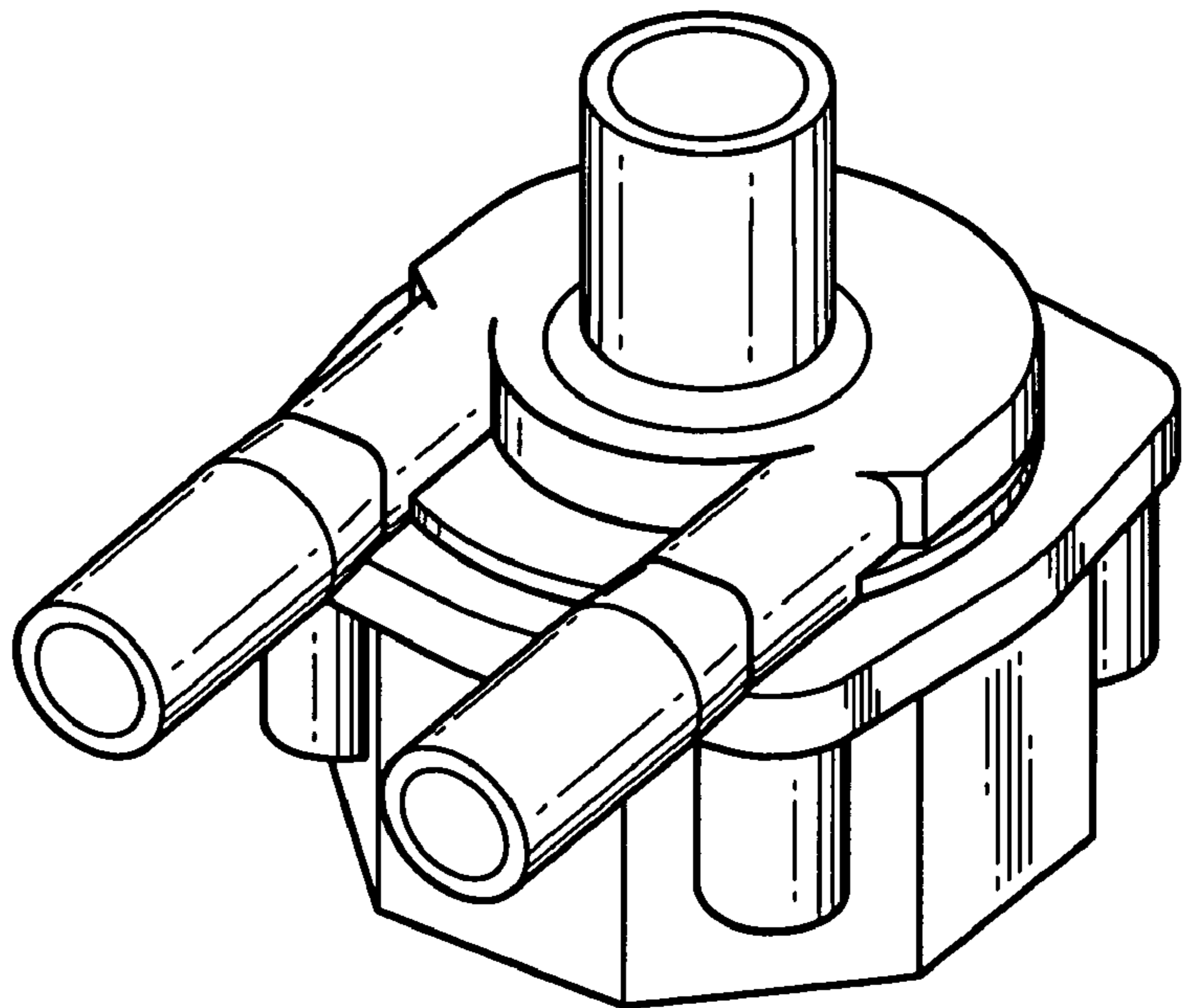
The elements shown in broken lines are for illustrative purposes only and form no part of the claimed invention.

**1 Claim, 5 Drawing Sheets**

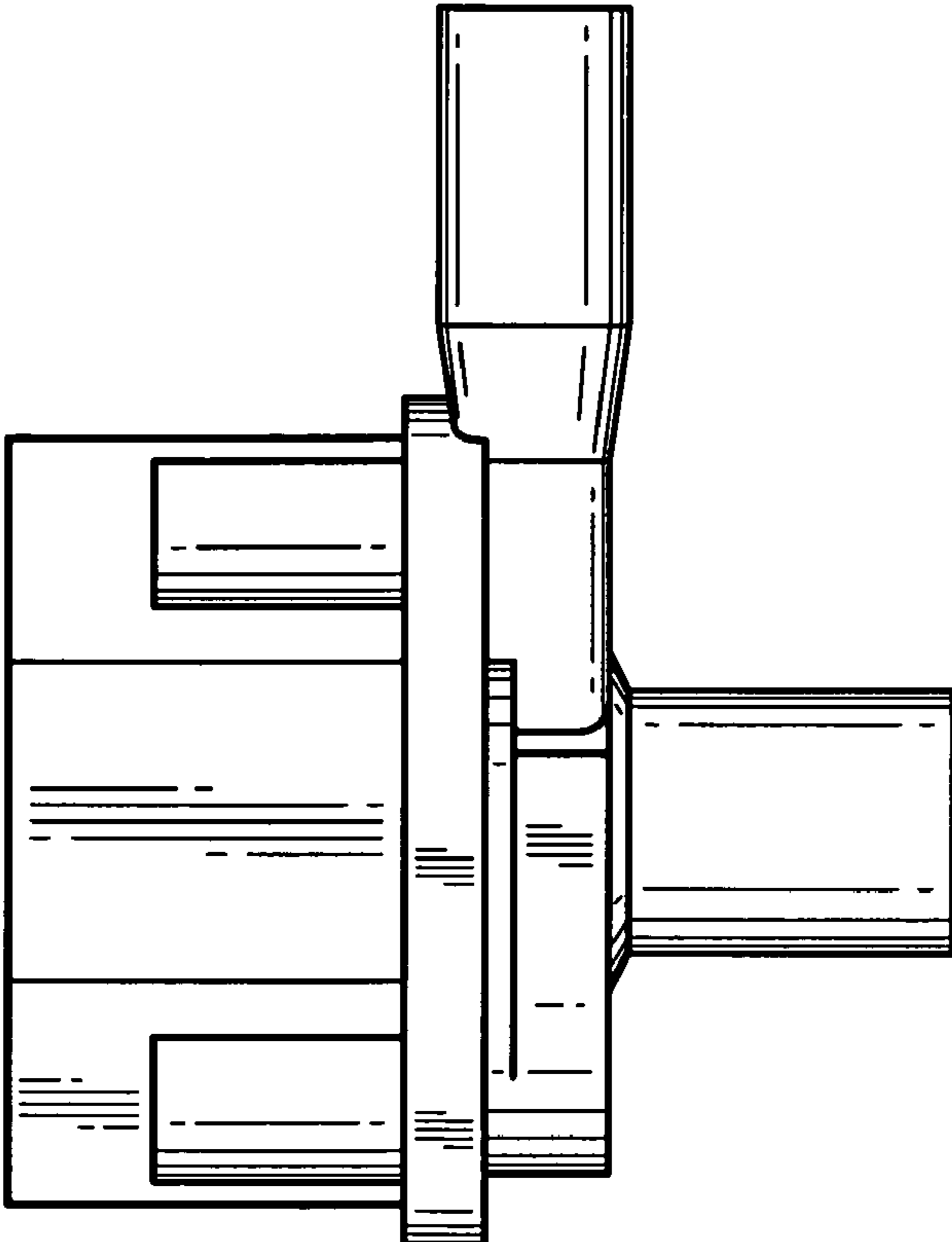




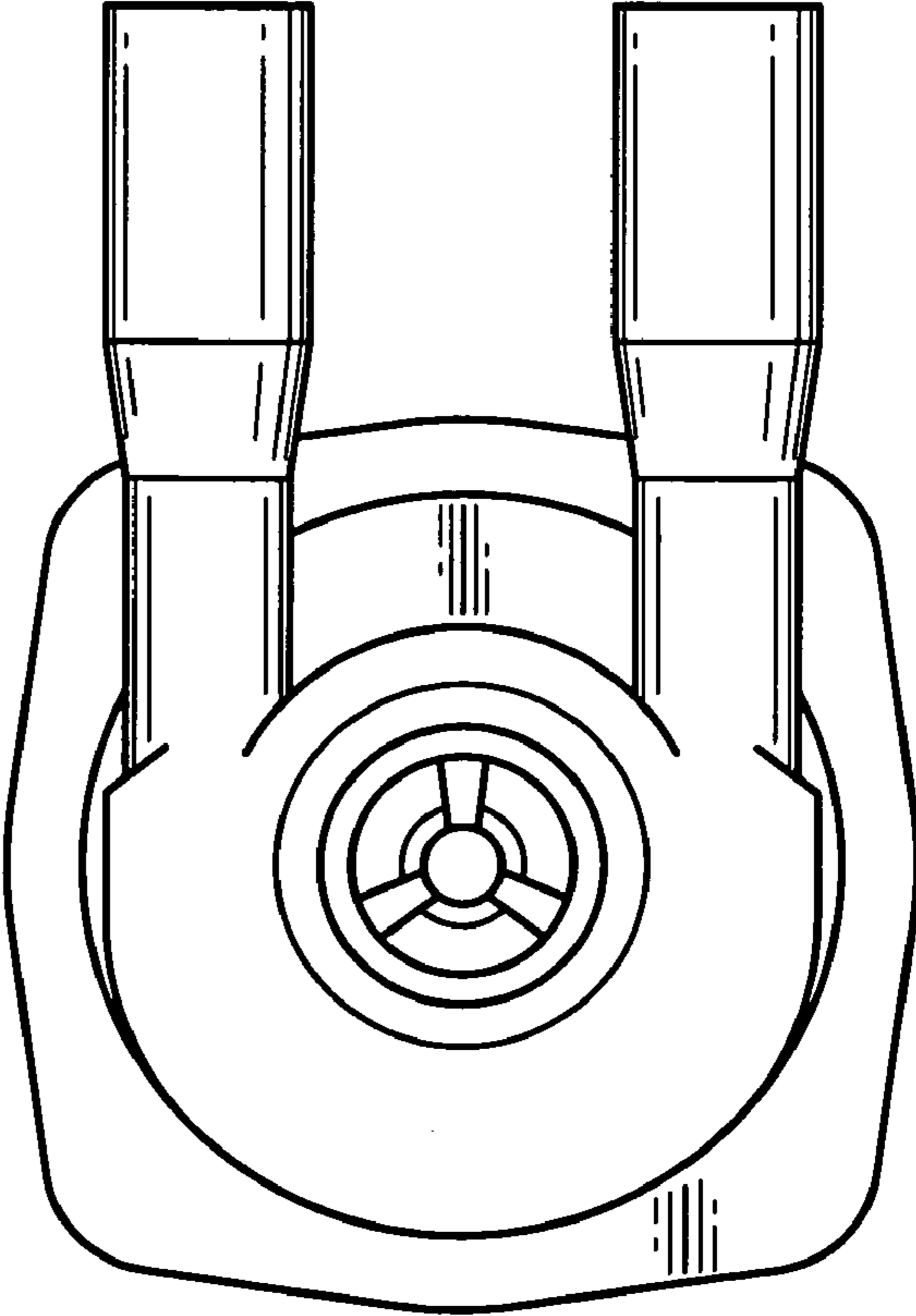
**FIG. 1**



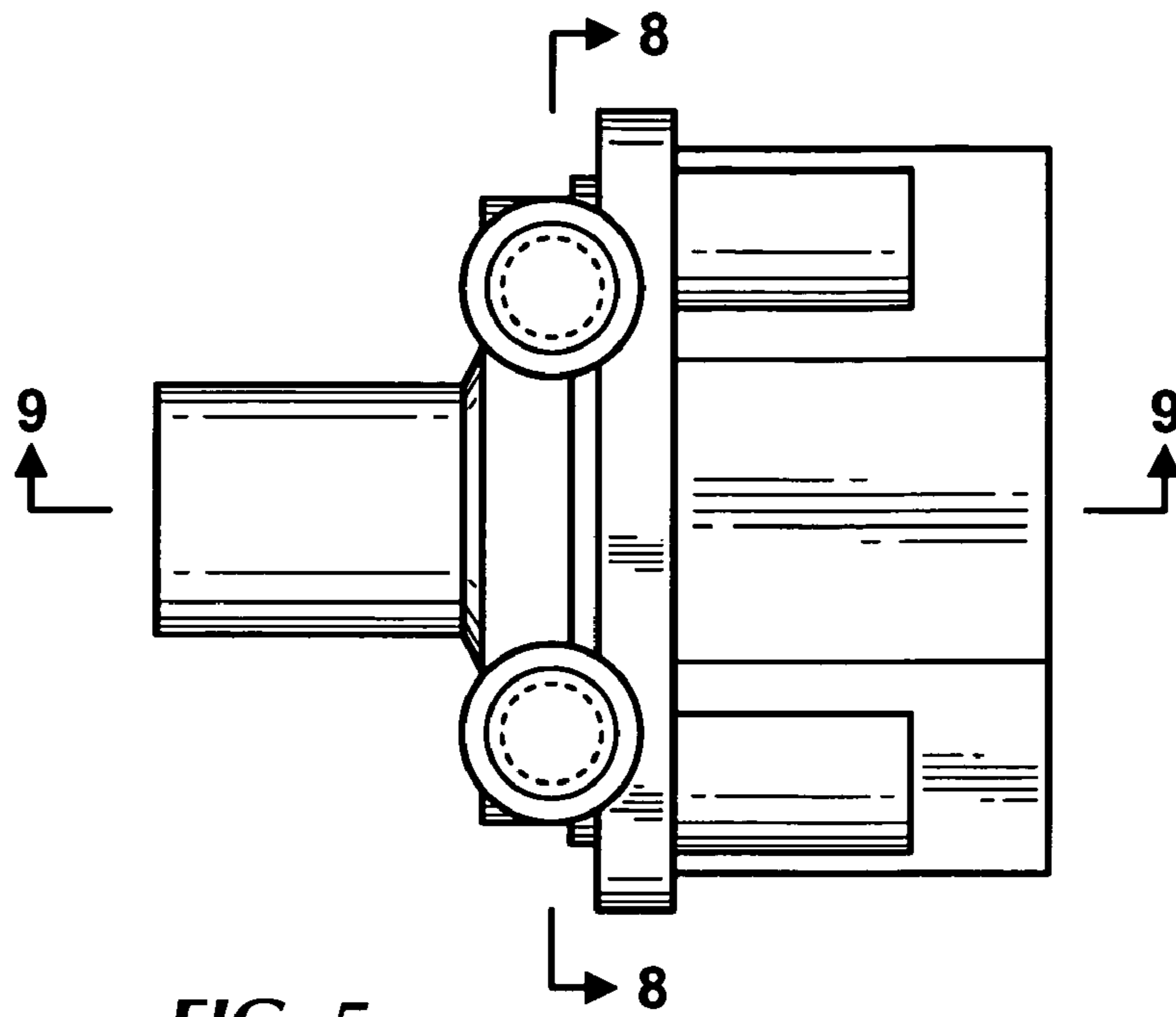
**FIG. 2**



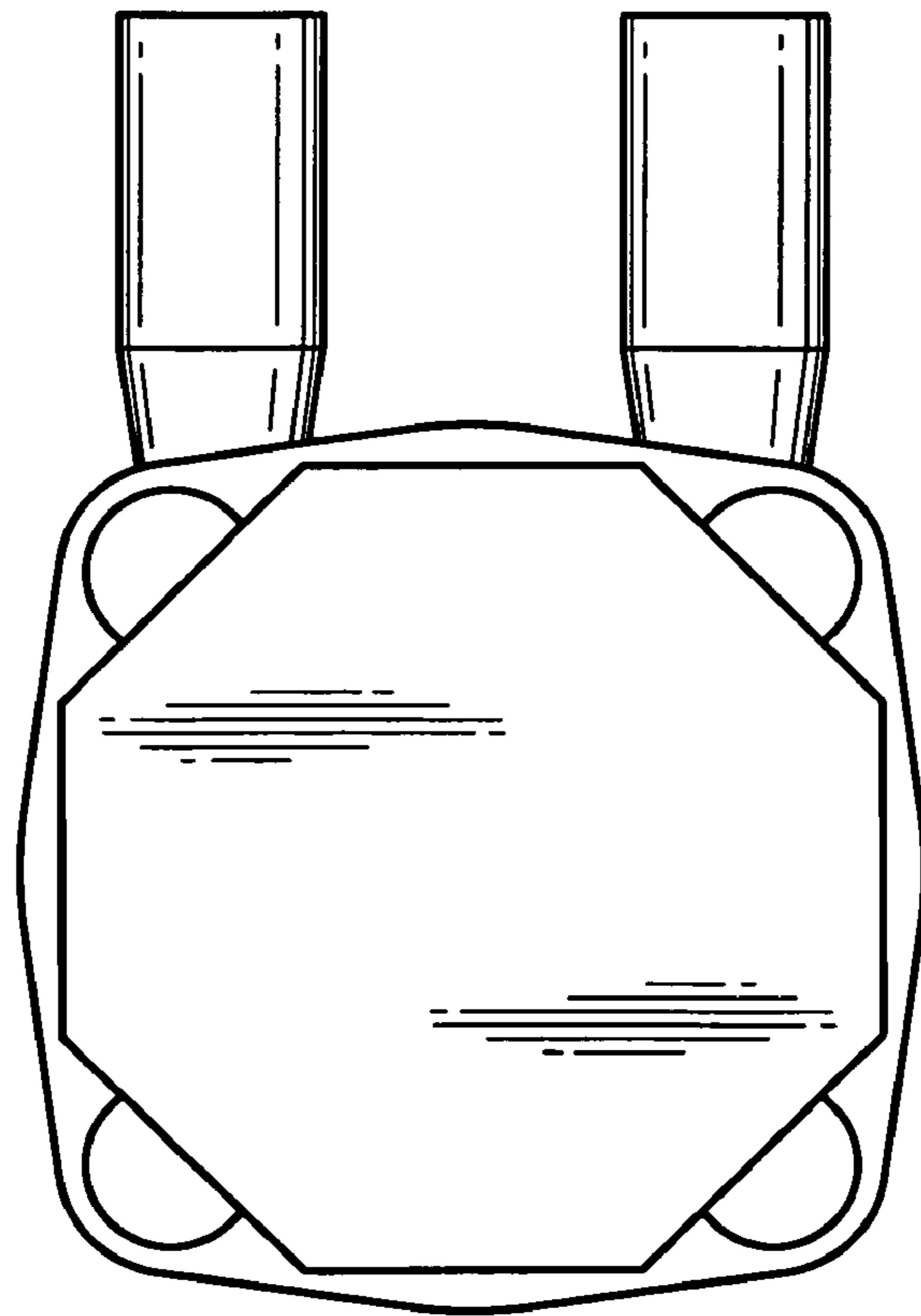
**FIG. 3**



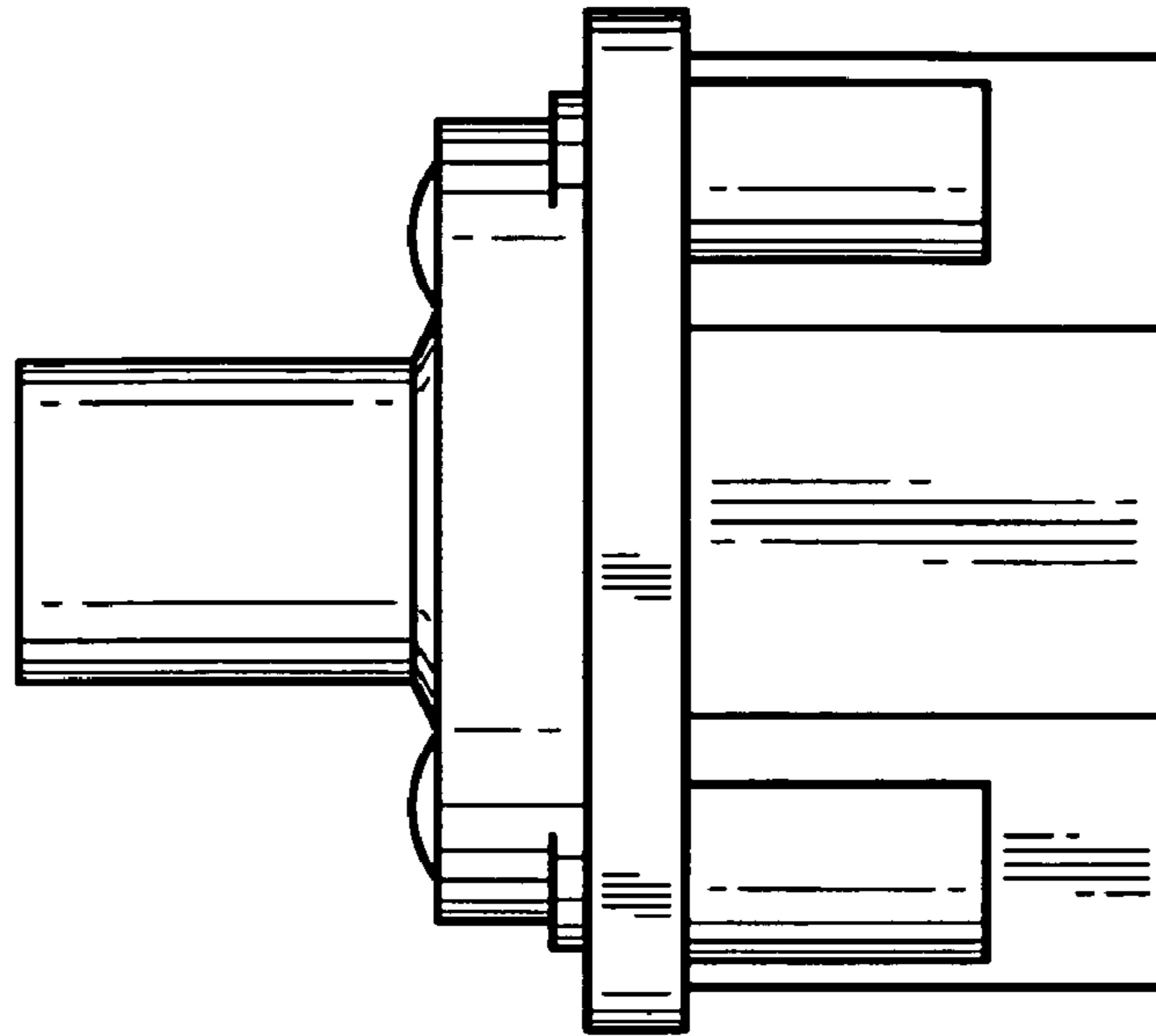
**FIG. 4**



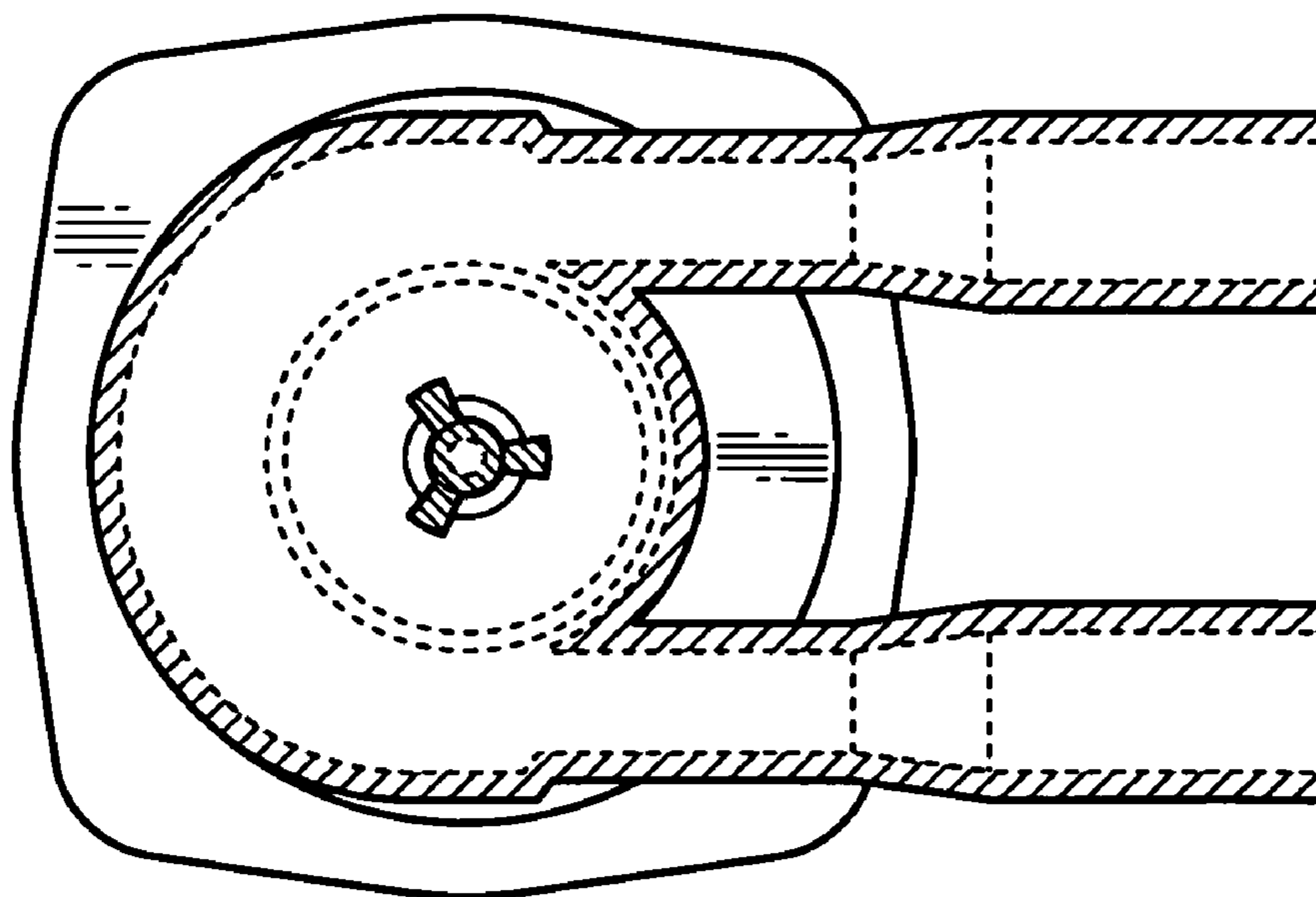
**FIG. 5**



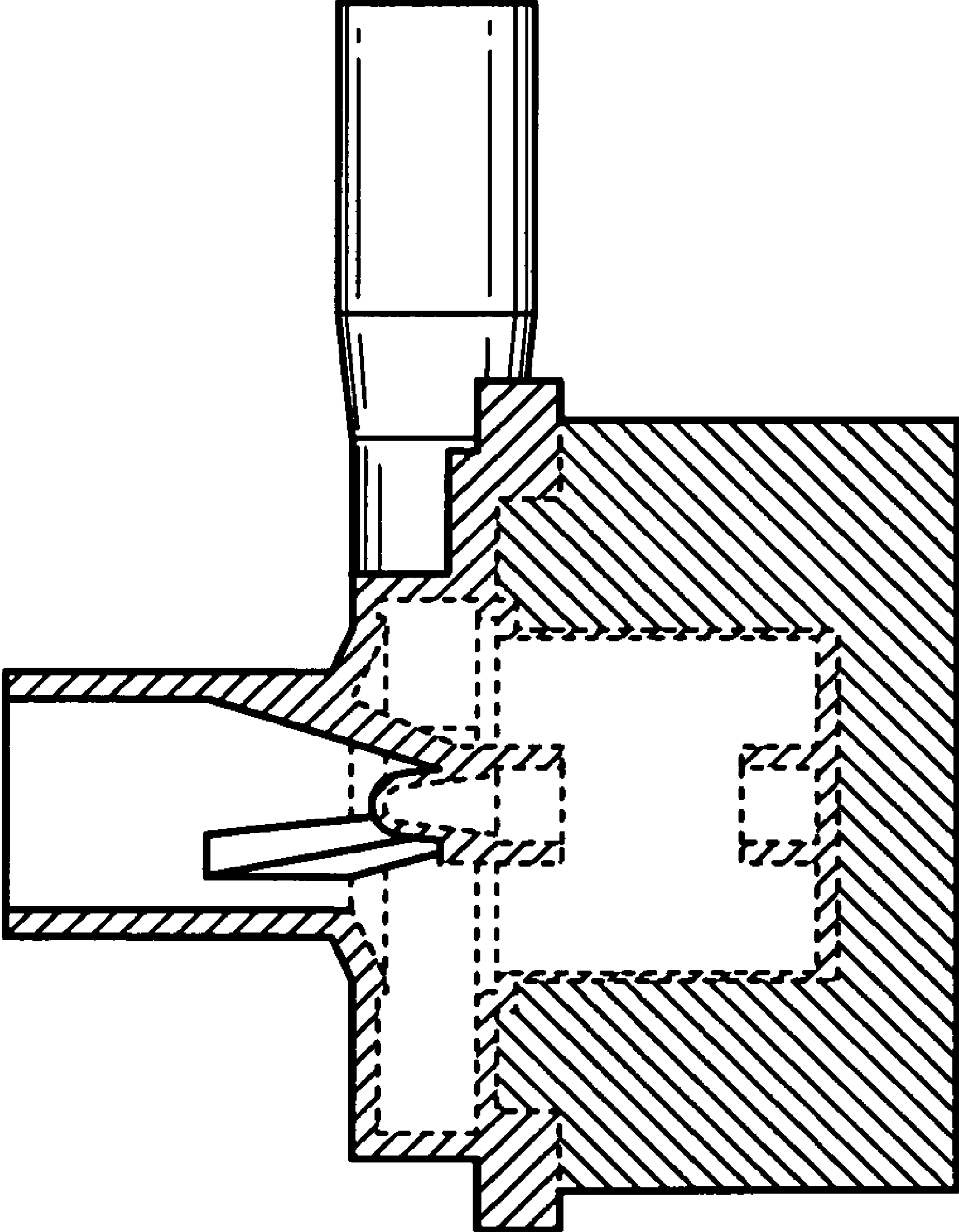
**FIG. 6**



**FIG. 7**



**FIG. 8**



**FIG. 9**