



US00D602499S

(12) **United States Design Patent**
Lewis

(10) **Patent No.:** **US D602,499 S**

(45) **Date of Patent:** **** Oct. 20, 2009**

(54) **COMBINED MOBILE TELEPHONE/MP3
PLAYER WITH CHARGER**

(74) *Attorney, Agent, or Firm*—Buchanan Ingersoll &
Rooney PC

(75) Inventor: **David Lewis**, Copenhagen (DK)

(57) **CLAIM**

(73) Assignee: **Bang & Olufsen A/S**, Struer (DK)

The ornamental design for a combined mobile telephone/
MP3 player with charger, as shown and described.

(**) Term: **14 Years**

(21) Appl. No.: **29/289,938**

DESCRIPTION

(22) Filed: **Aug. 8, 2007**

FIG. 1 is a front, side perspective view of a combined mobile
telephone/MP3 player with charger showing my new design,
the mobile telephone/MP3 player being shown separately for
purposes of illustration;

(30) **Foreign Application Priority Data**

Feb. 9, 2007 (DK) DA 2007 00032

FIG. 2 is a rear, side perspective view thereof;

(51) **LOC (9) Cl.** **14-03**

FIG. 3 is a front elevational view thereof;

(52) **U.S. Cl.** **D14/496**; D14/203.3; D14/140

FIG. 4 is a rear elevational view thereof;

(58) **Field of Classification Search** D14/496,
D14/401, 435, 474, 483, 217, 137, 138, 160,
D14/168, 356, 203.1–203.8, 507; 345/156,
345/169, 173–179, 905, 140–140.11, 142;
715/727–729, 864; 710/1, 5, 8; 713/1, 600;
455/1.1, 1.7, 73, 344–347, 93, 95, 3.01–3.06,
455/550.1, 573.1; 370/342–344; 369/1,
369/2, 6–12; 463/43–47; 273/148 B
See application file for complete search history.

FIG. 5 is a right side elevational view thereof;

FIG. 6 is a left side elevational view thereof;

FIG. 7 is a top plan view thereof;

FIG. 8 is a bottom plan view thereof;

FIG. 9 is a front, side perspective view of FIG. 1 illustrating
the combined mobile telephone/MP3 player in an extended
position;

(56) **References Cited**

U.S. PATENT DOCUMENTS

5,100,098 A * 3/1992 Hawkins 248/291.1
D403,670 S * 1/1999 Liao D14/375
6,122,526 A * 9/2000 Parulski et al. 455/556.1
D486,813 S * 2/2004 Chun D14/203.3
D490,068 S * 5/2004 Chen D14/203.3
D491,902 S * 6/2004 Chen D14/126
D504,442 S * 4/2005 Kim D14/203.7
D516,579 S * 3/2006 Nakamura D14/496
7,079,384 B2 * 7/2006 Wang et al. 361/679.43
7,095,867 B2 * 8/2006 Schul et al. 381/334
D554,149 S * 10/2007 Kim D14/496

FIG. 10 is a rear, side perspective view thereof;

FIG. 11 is a front elevational view thereof;

FIG. 12 is a rear elevational view thereof;

FIG. 13 is a right side elevational view thereof;

FIG. 14 is a left side elevational view thereof;

FIG. 15 is a top plan view thereof;

FIG. 16 is a bottom plan view thereof;

FIG. 17 is a front, side perspective view of FIG. 9 illustrating
the combined mobile telephone/MP3 player in an extended
position and standing on its stand;

FIG. 18 is a rear, side perspective view thereof;

FIG. 19 is a front elevational view thereof;

FIG. 20 is a rear elevational view thereof;

FIG. 21 is a left side elevational view thereof;

* cited by examiner

Primary Examiner—Prabhakar Deshmukh

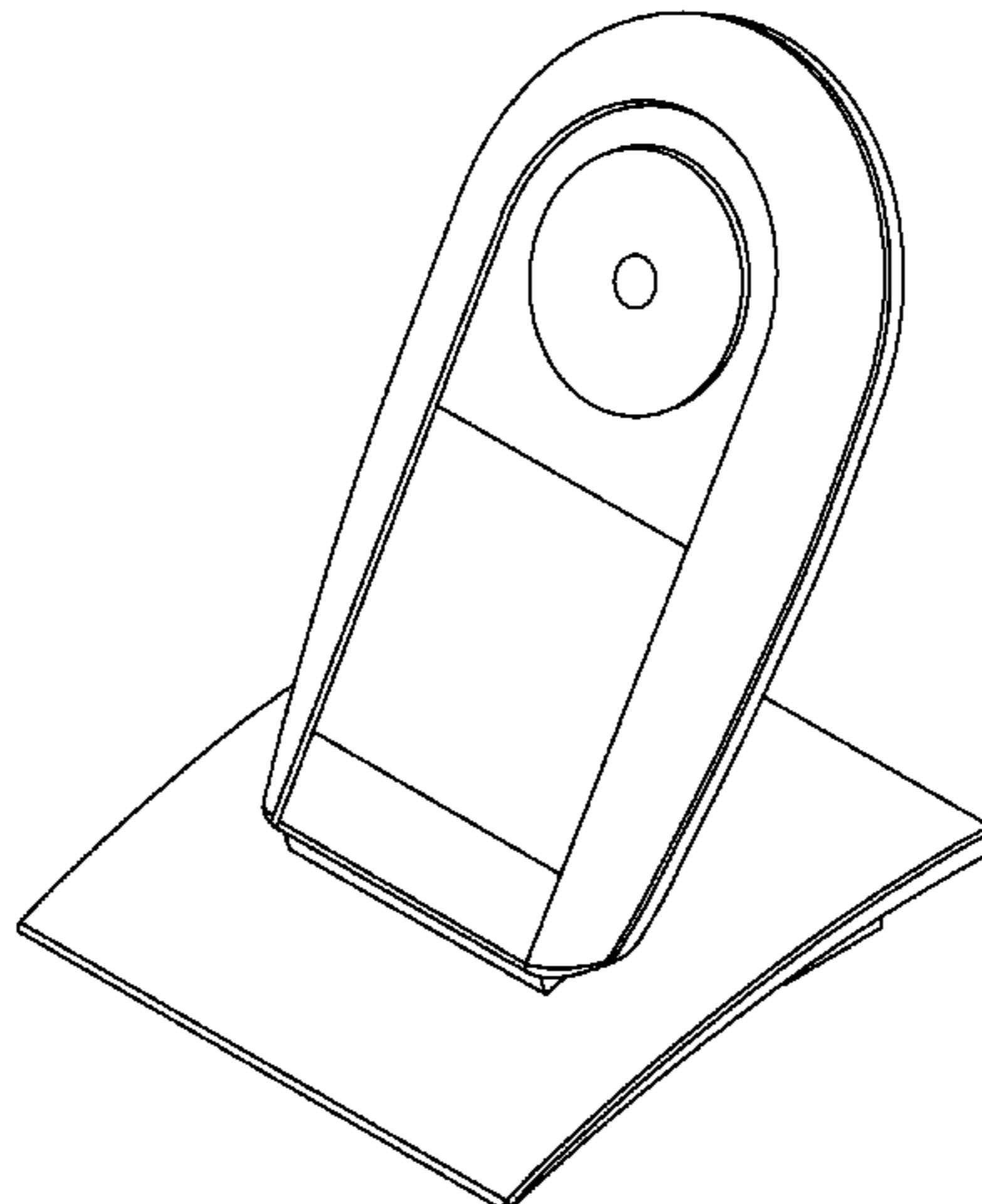


FIG. 22 is a right side elevational view thereof;

FIG. 23 is a top plan view thereof;

FIG. 24 is a bottom plan view thereof;

FIG. 25 is a front, side perspective view of the combined mobile telephone/MP3 player with charger of FIG. 1 shown in position in its charger;

FIG. 26 is a rear, side perspective view thereof;

FIG. 27 is a front elevational view thereof;

FIG. 28 is a rear elevational view thereof;

FIG. 29 is a left side elevational view thereof;

FIG. 30 is a right side elevational view thereof;

FIG. 31 is a top plan view thereof;

FIG. 32 is a bottom plan view thereof;

FIG. 33 is the front, side perspective view of the charger of FIG. 25, the charger being shown separately for purposes of illustration;

FIG. 34 is a rear, side perspective view thereof;

FIG. 35 is a front elevational view thereof;

FIG. 36 is a rear elevational view thereof;

FIG. 37 is a left side elevational view thereof;

FIG. 38 is a right side elevational view thereof;

FIG. 39 is a top plan view thereof; and,

FIG. 40 is a bottom plan view thereof.

The broken lines are for illustrative purpose only and form no part of the claimed design.

1 Claim, 40 Drawing Sheets

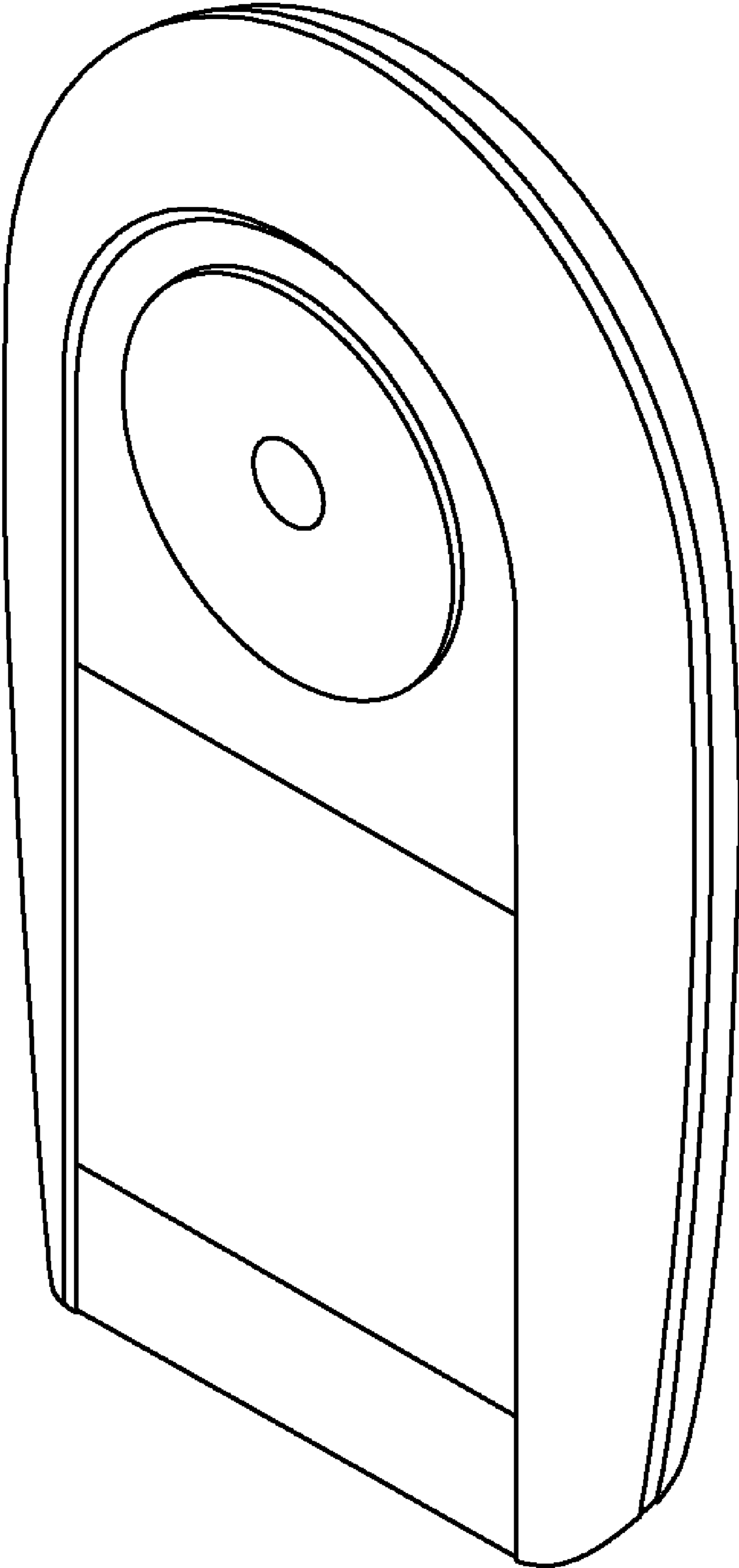


FIG. 1

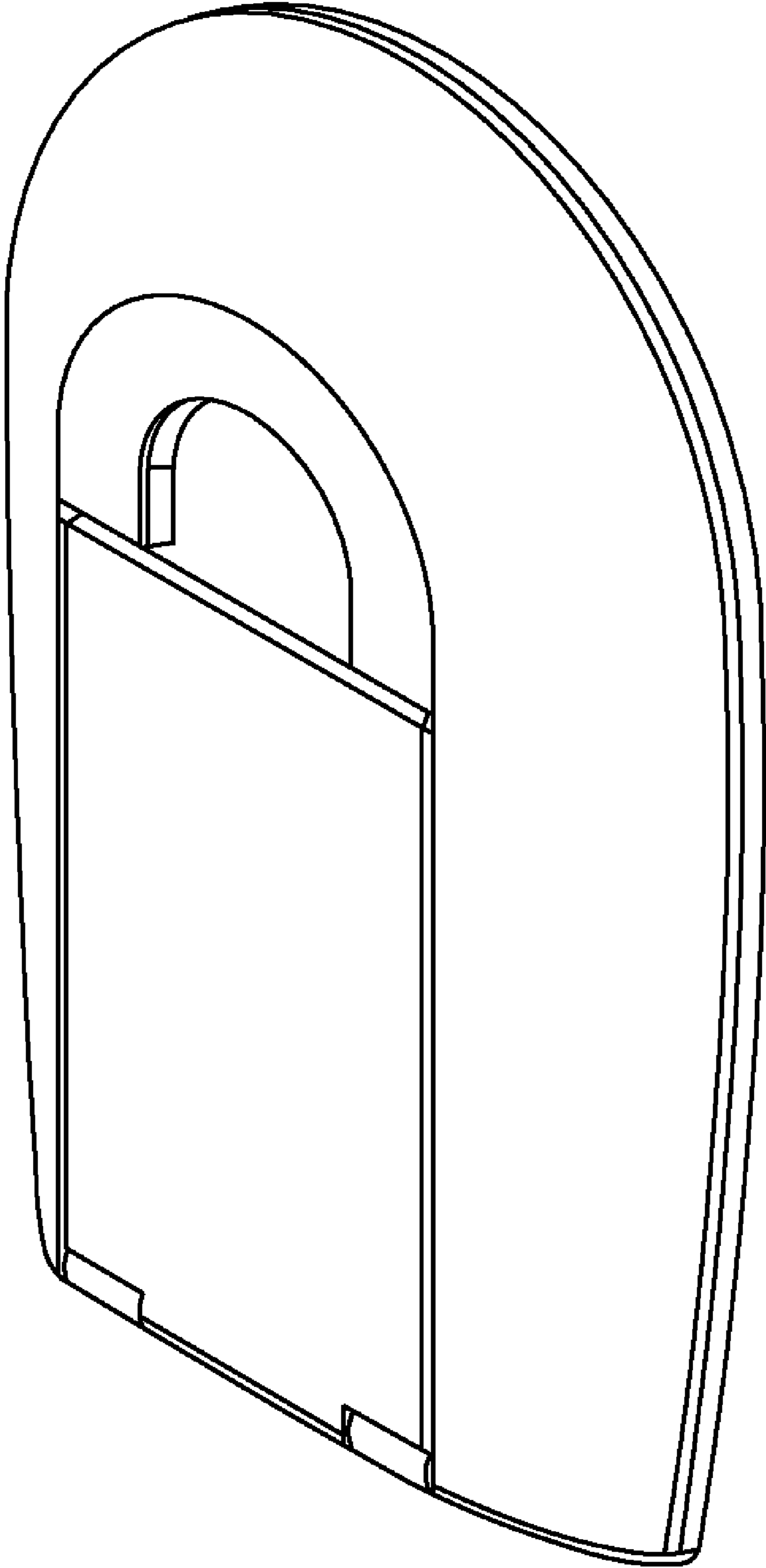


FIG. 2

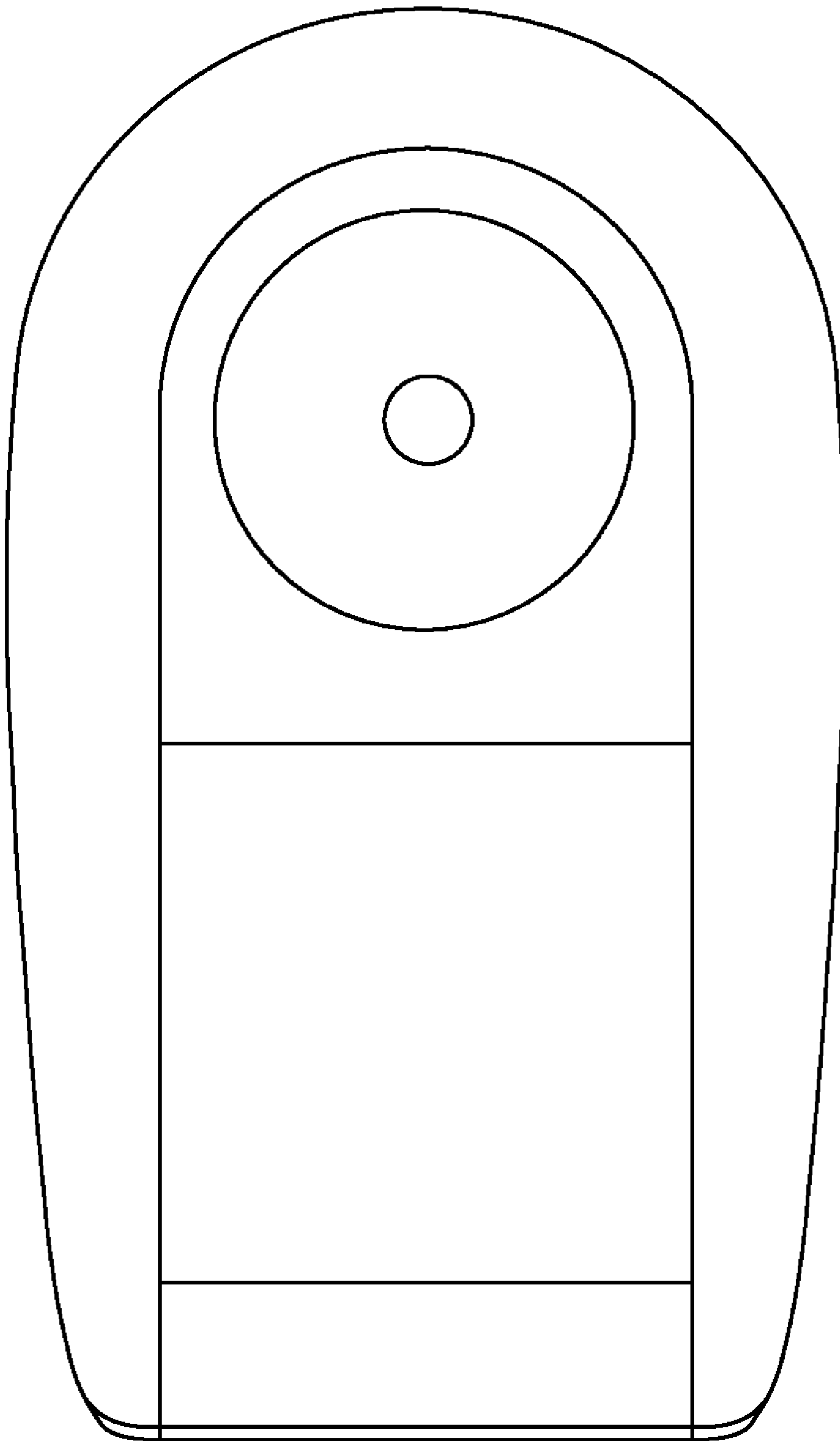


FIG. 3

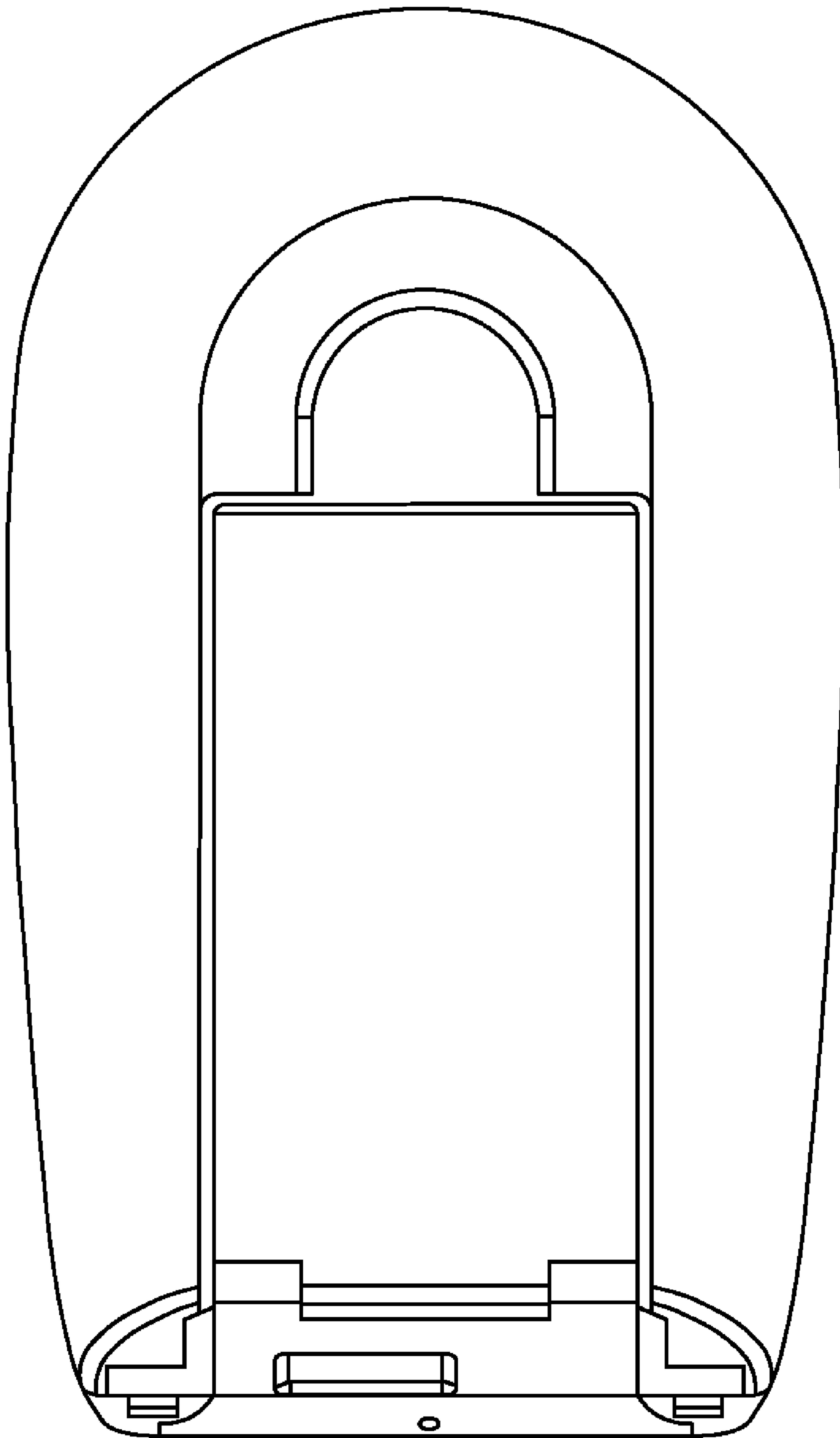


FIG. 4

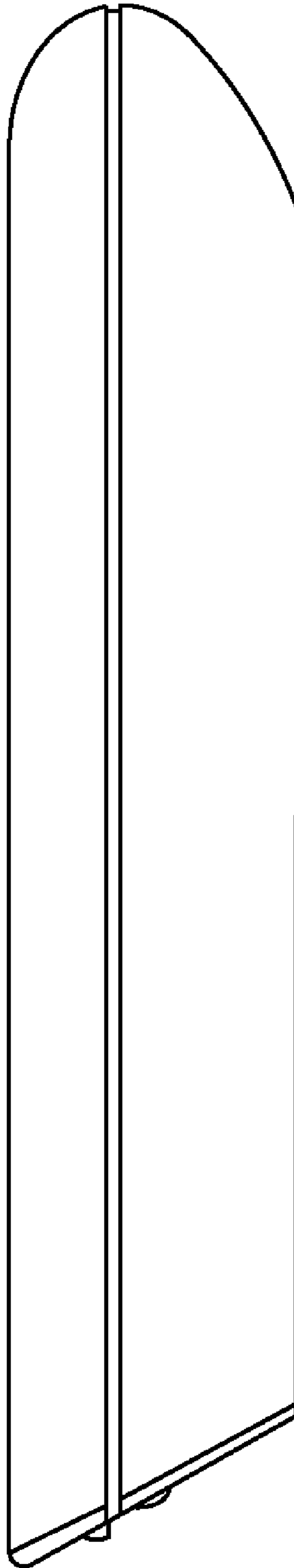


FIG. 5

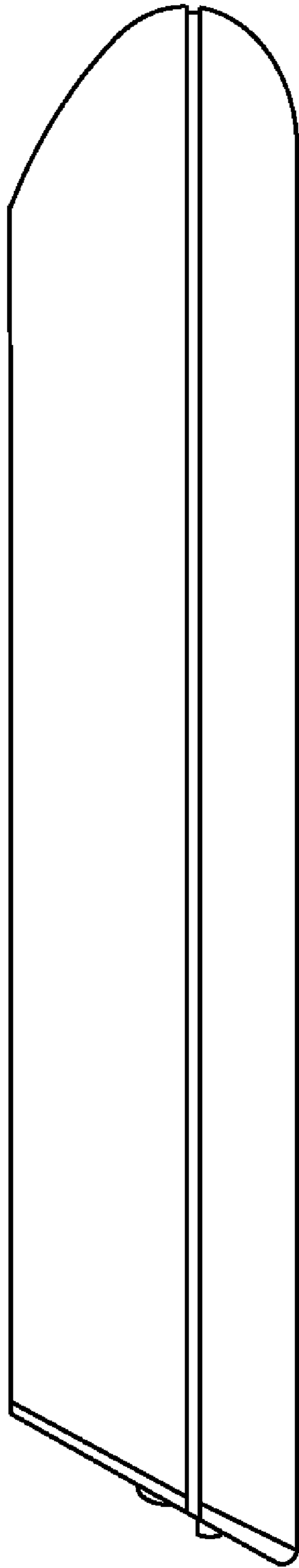


FIG. 6

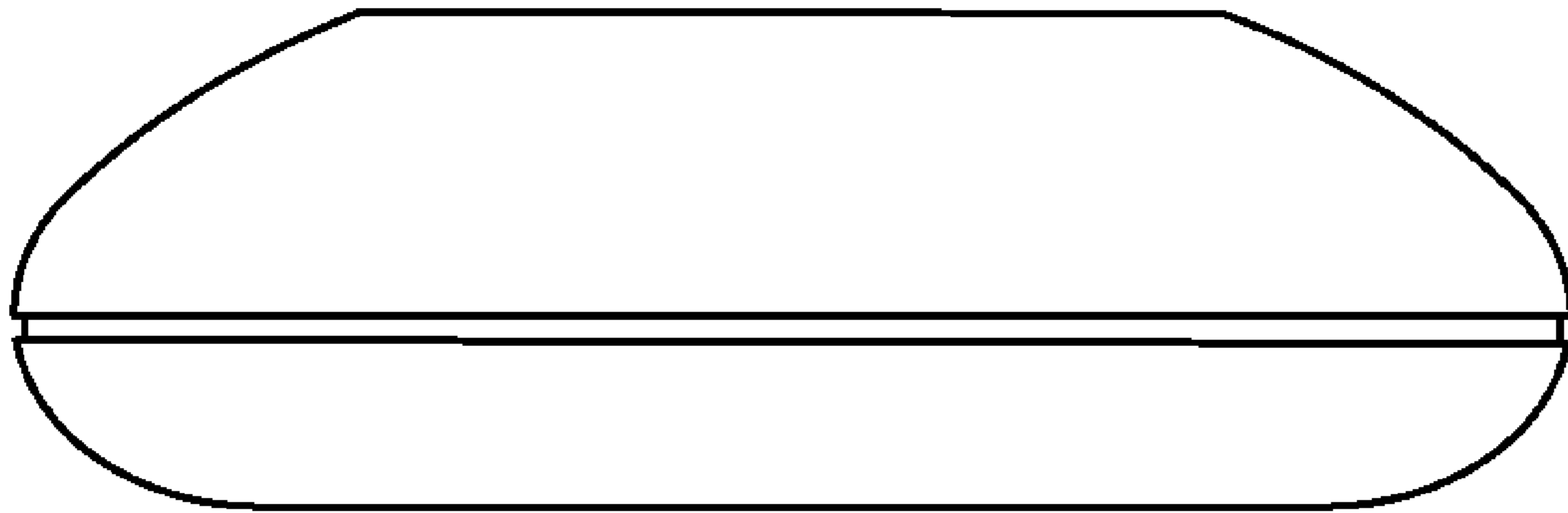


FIG. 7

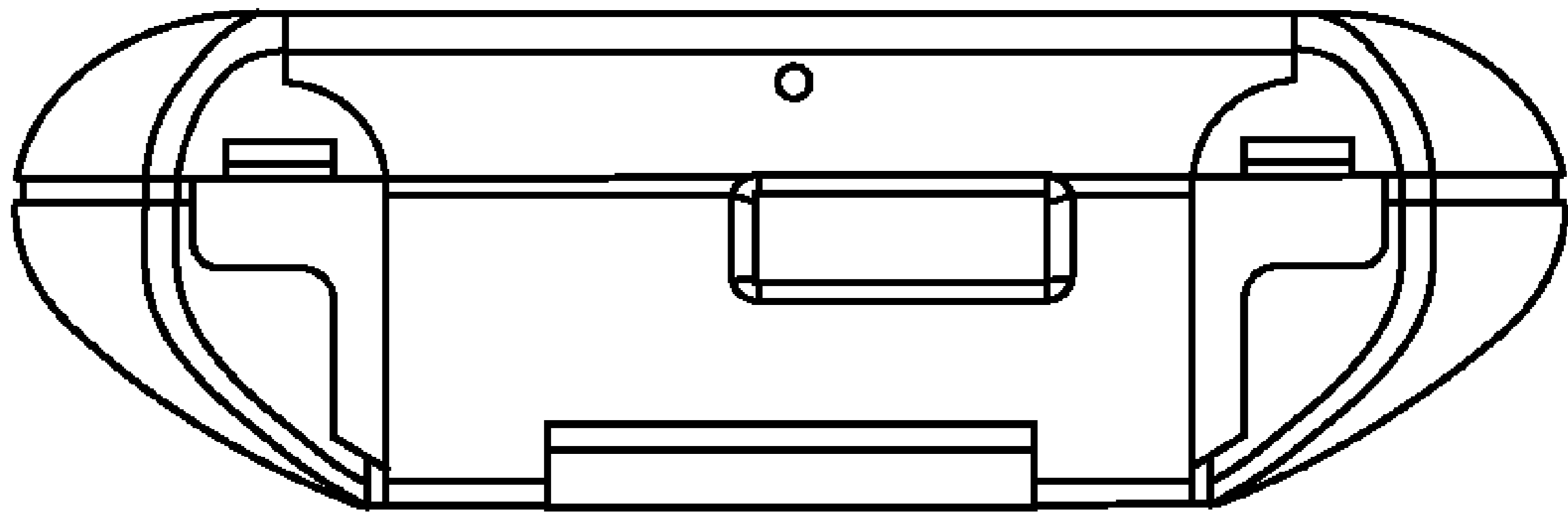


FIG. 8

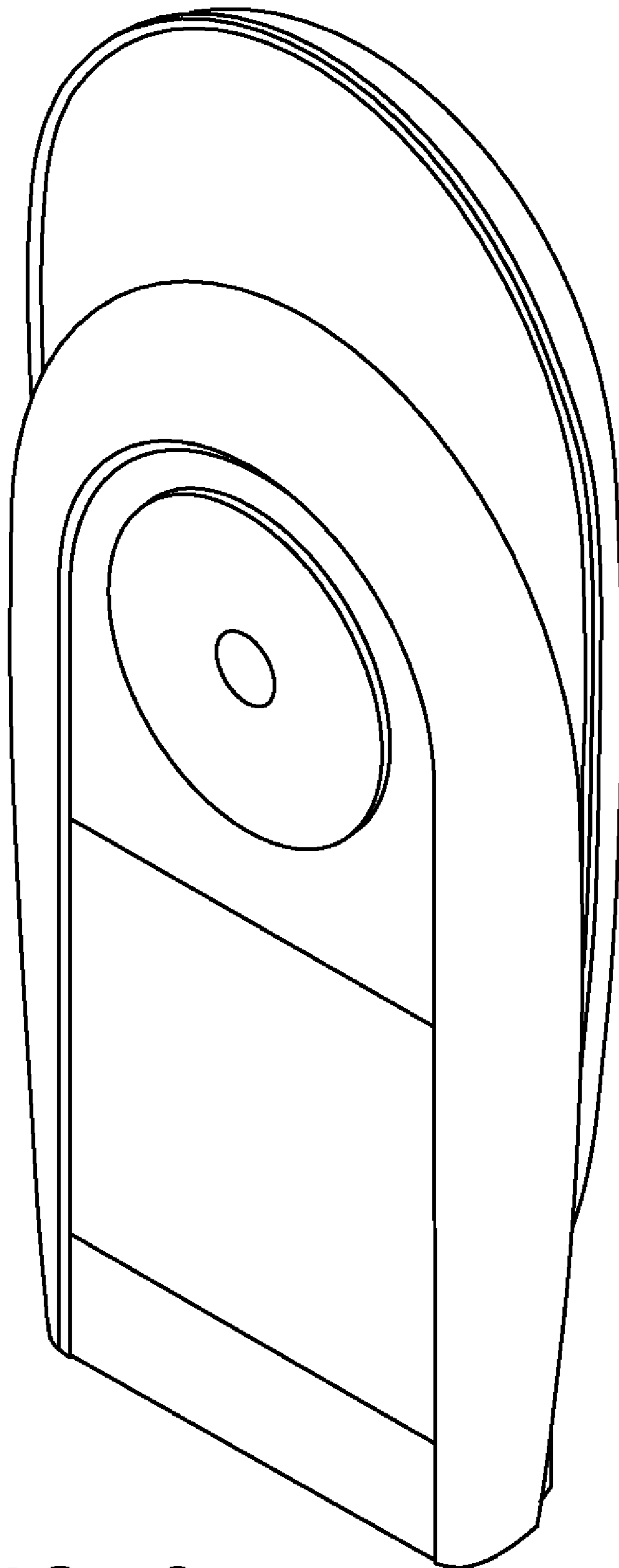


FIG. 9

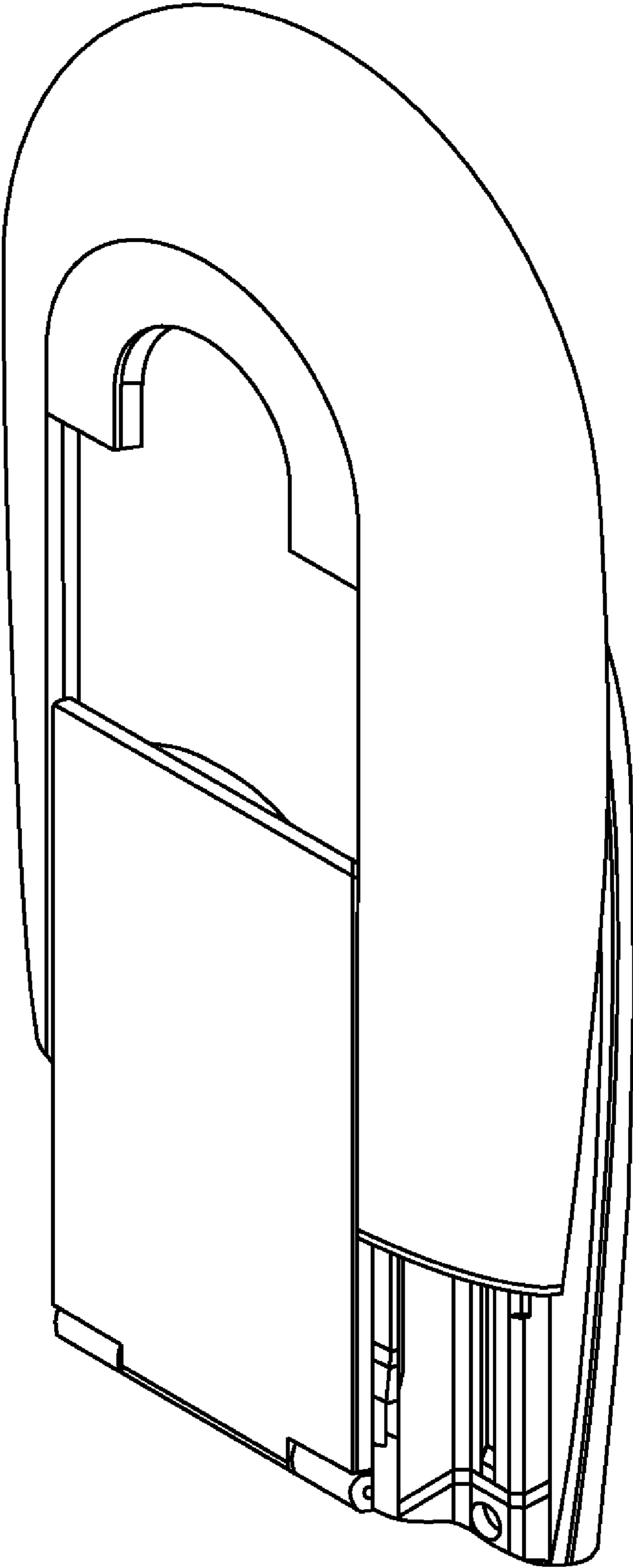


FIG. 10

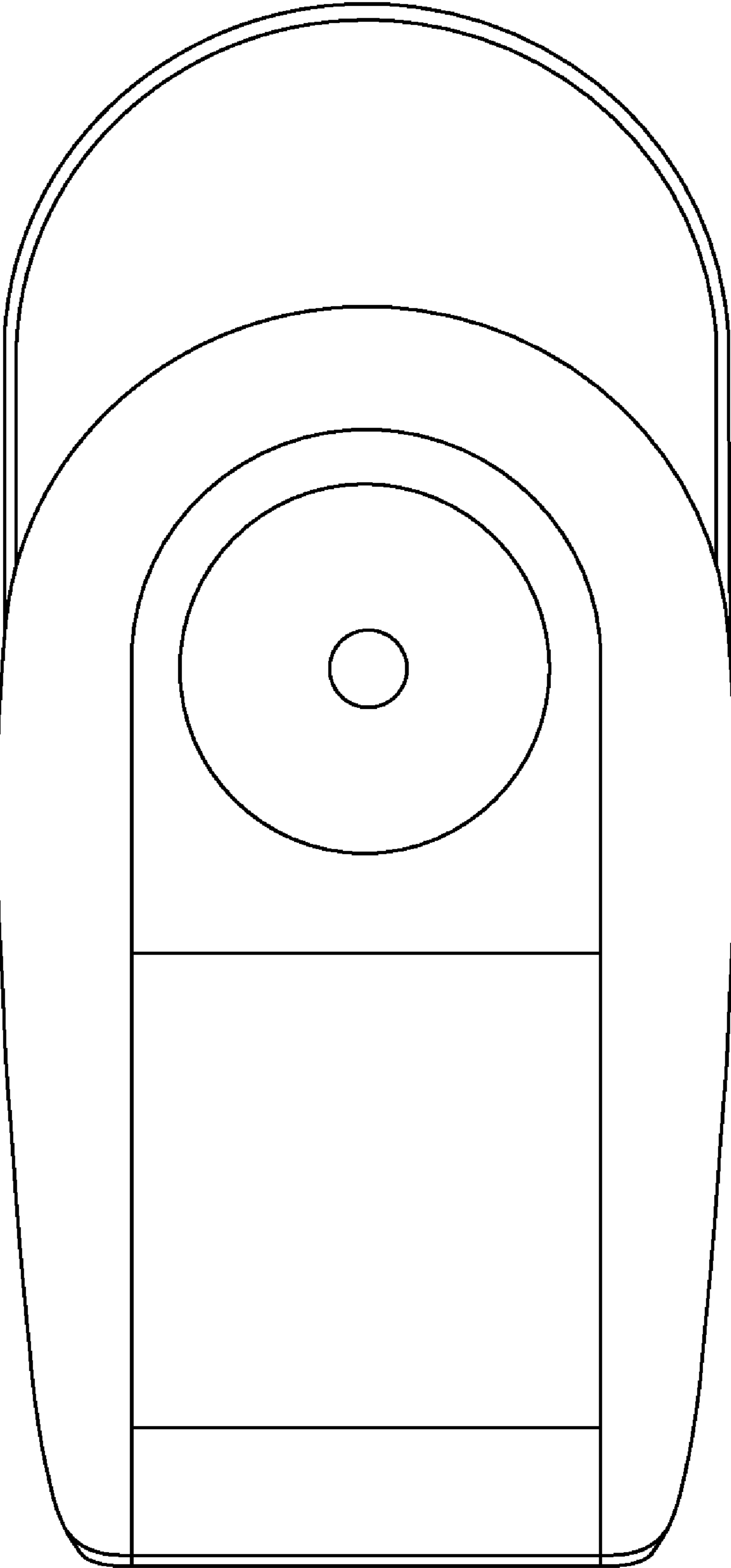


FIG. 11

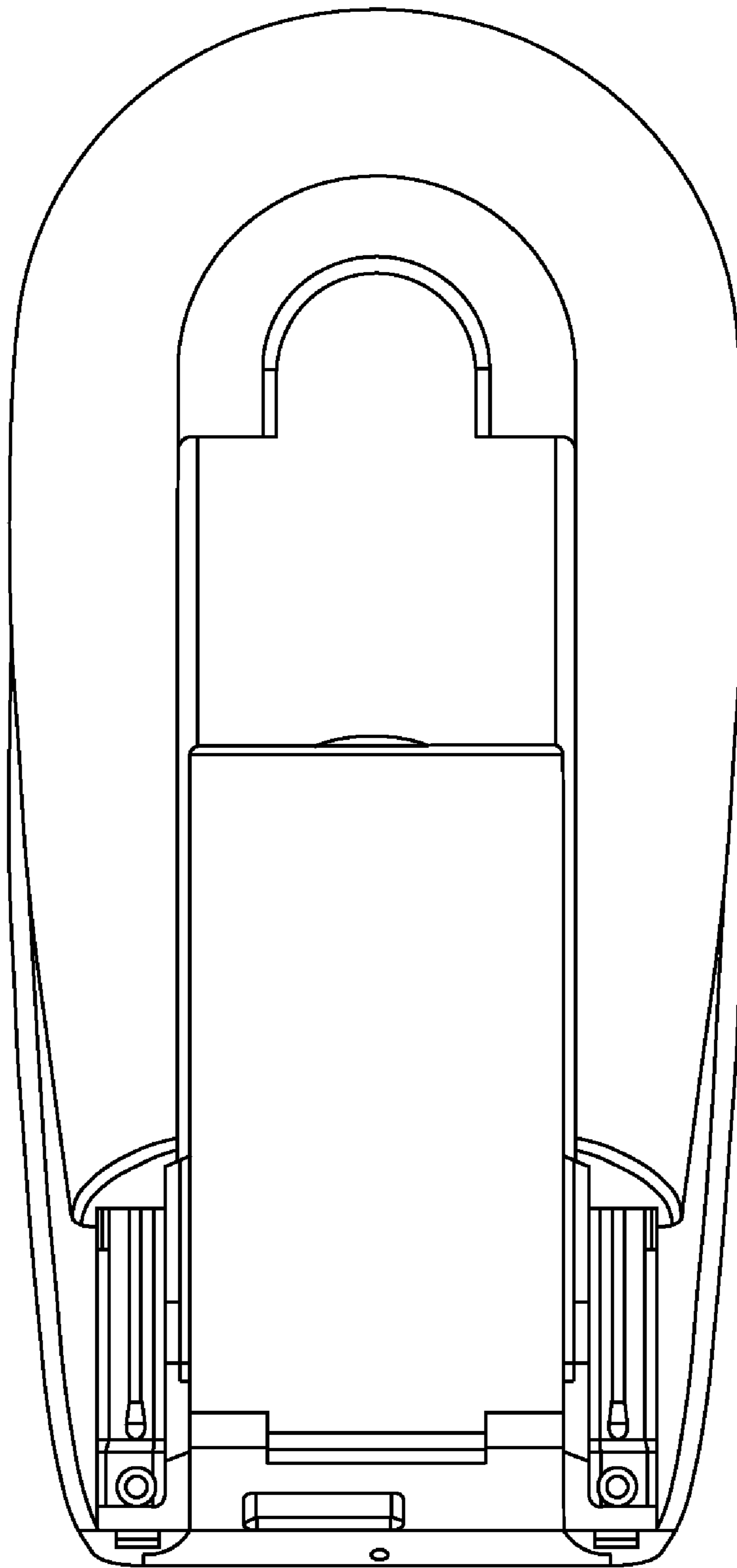


FIG. 12

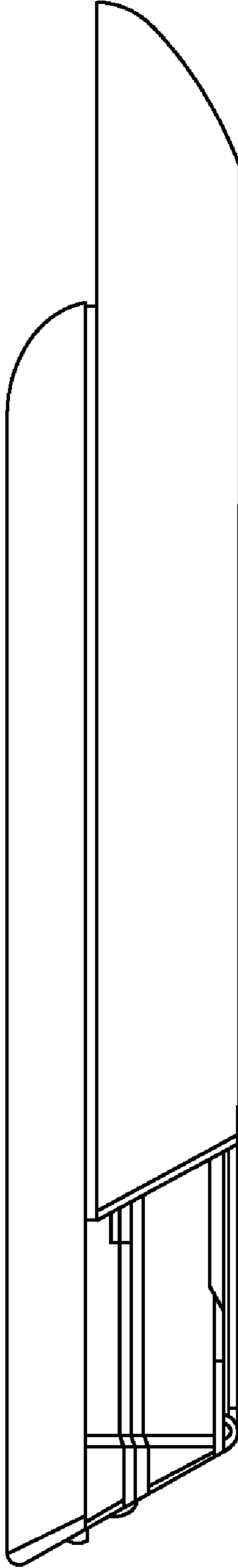


FIG. 13

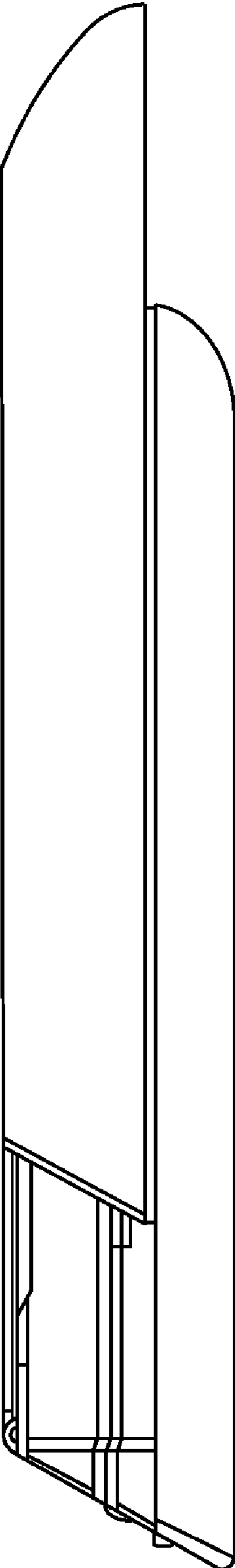


FIG. 14

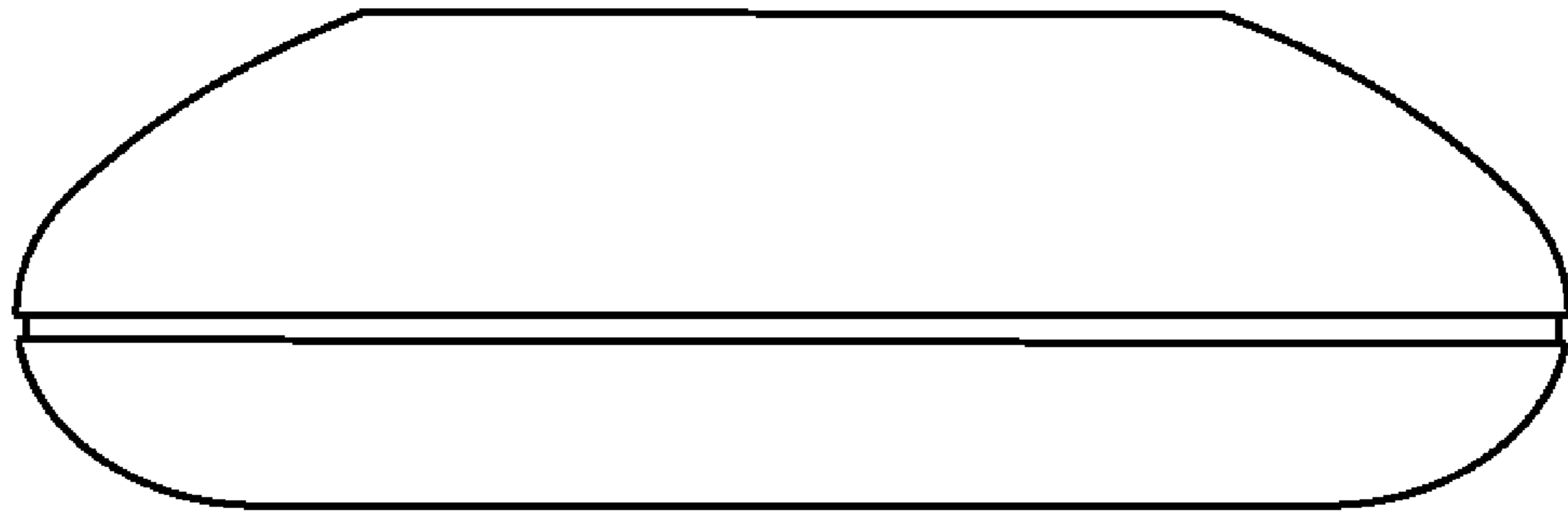


FIG. 15

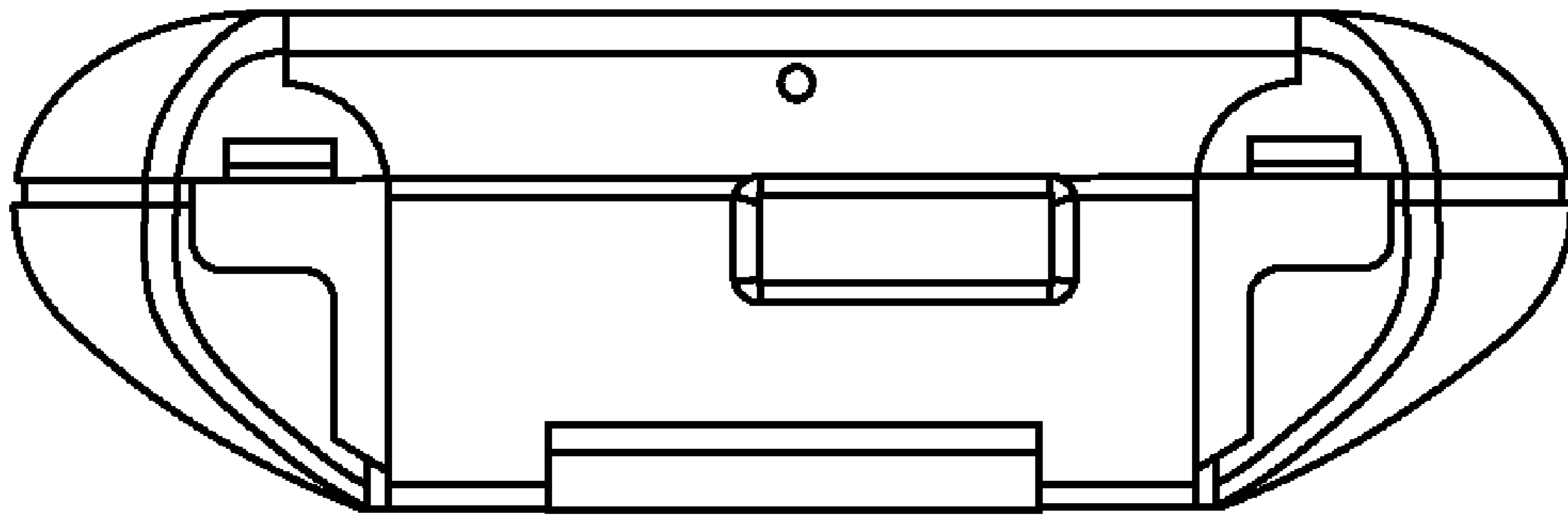


FIG. 16

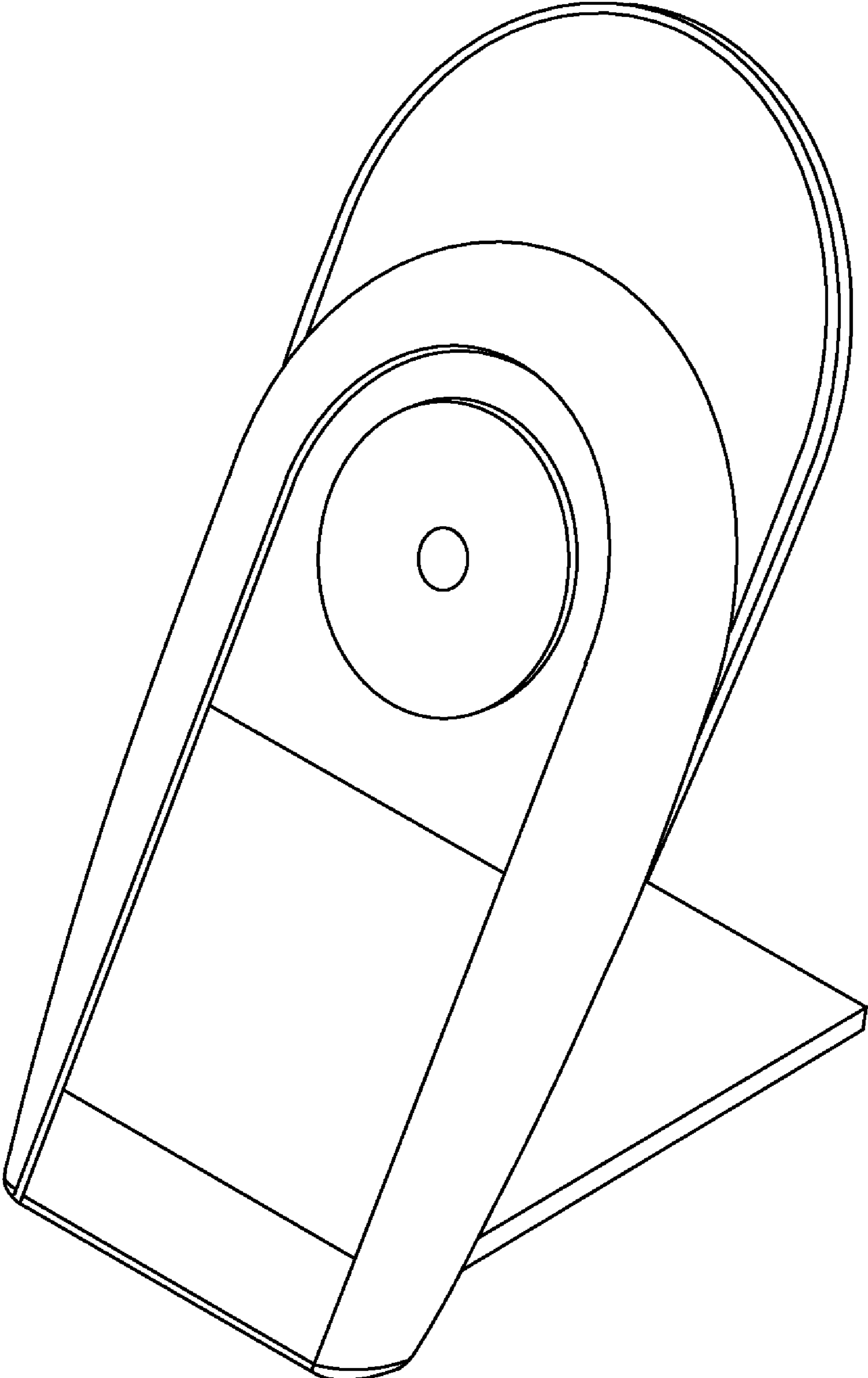


FIG. 17

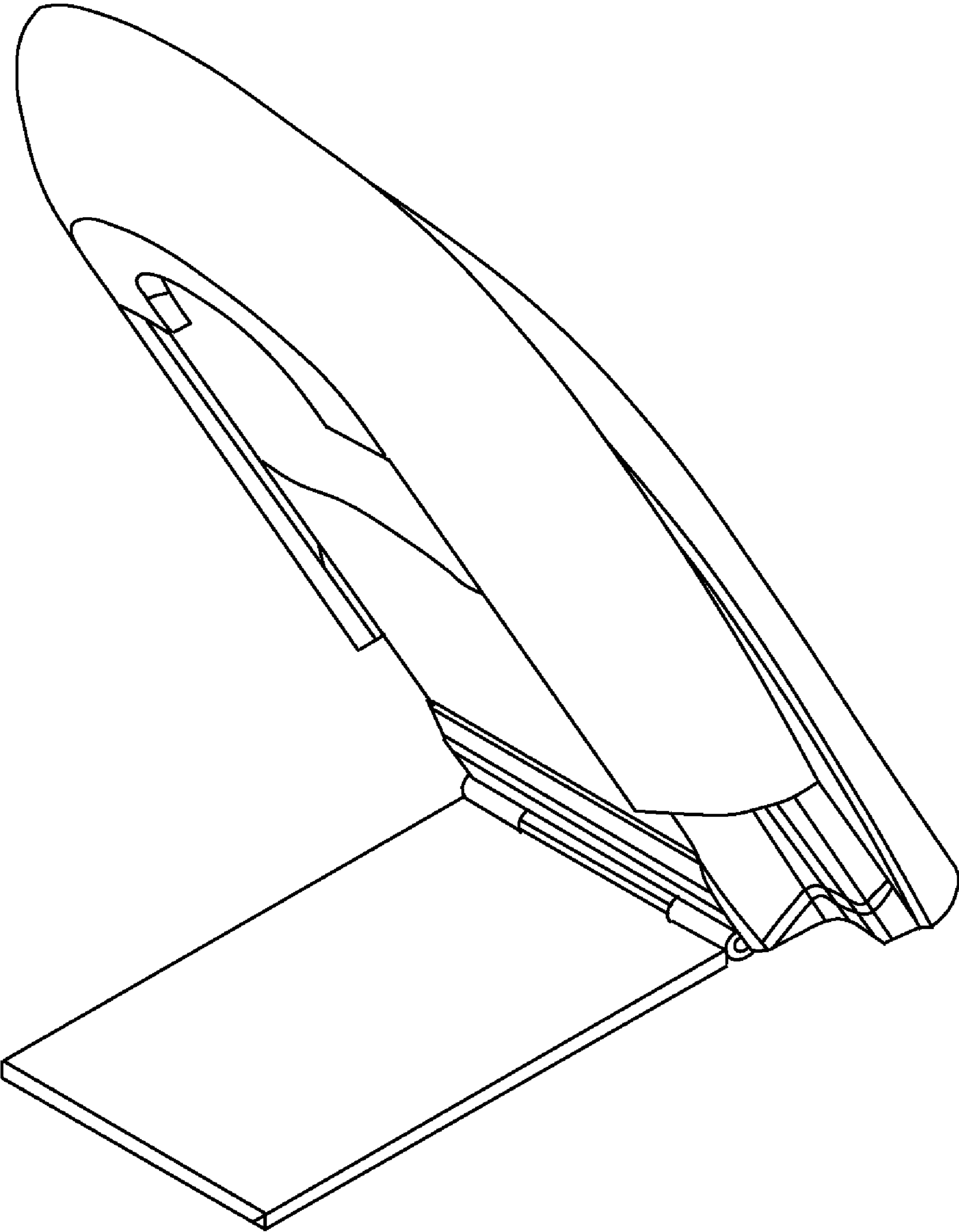


FIG. 18

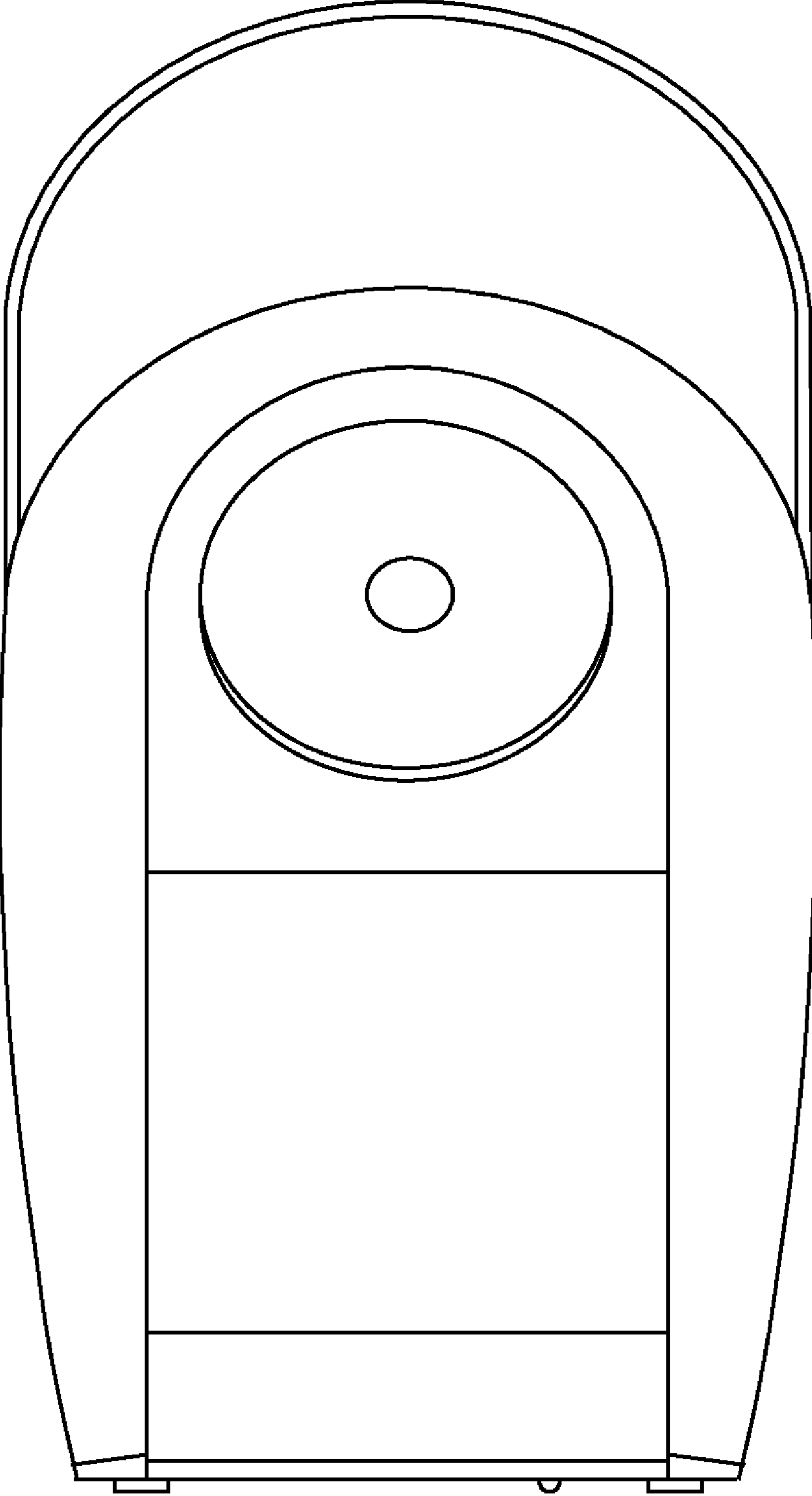


FIG. 19

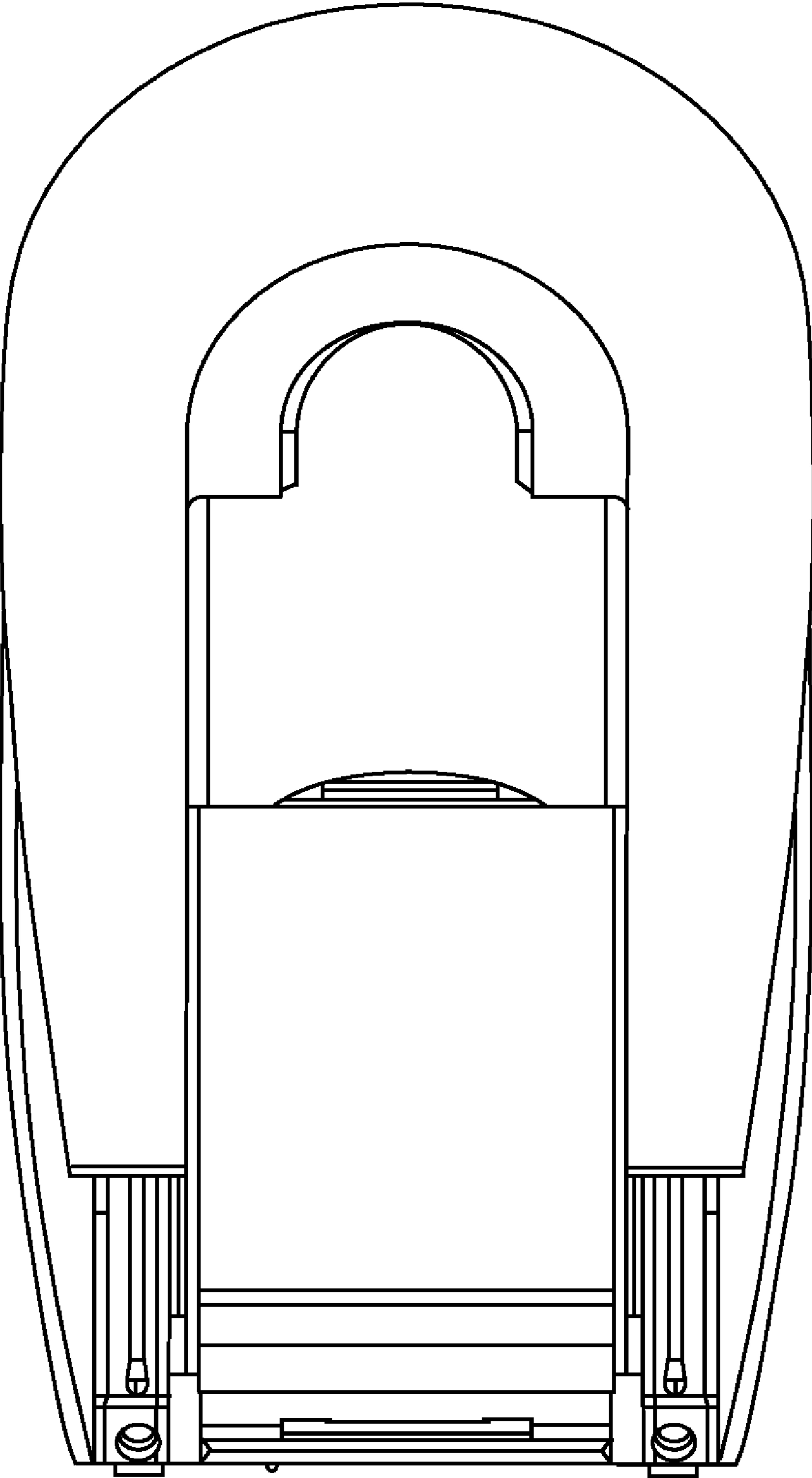


FIG. 20

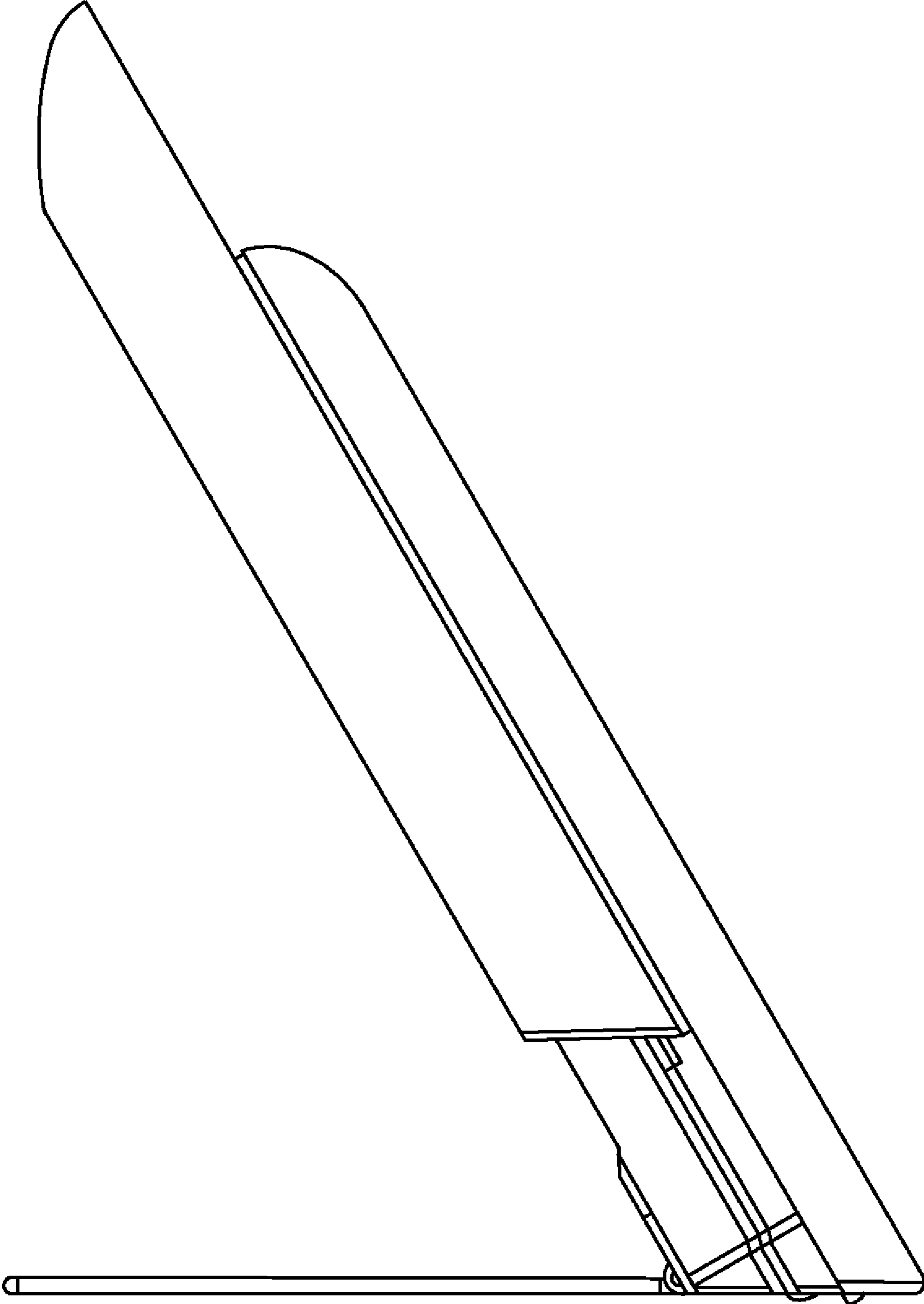


FIG. 21

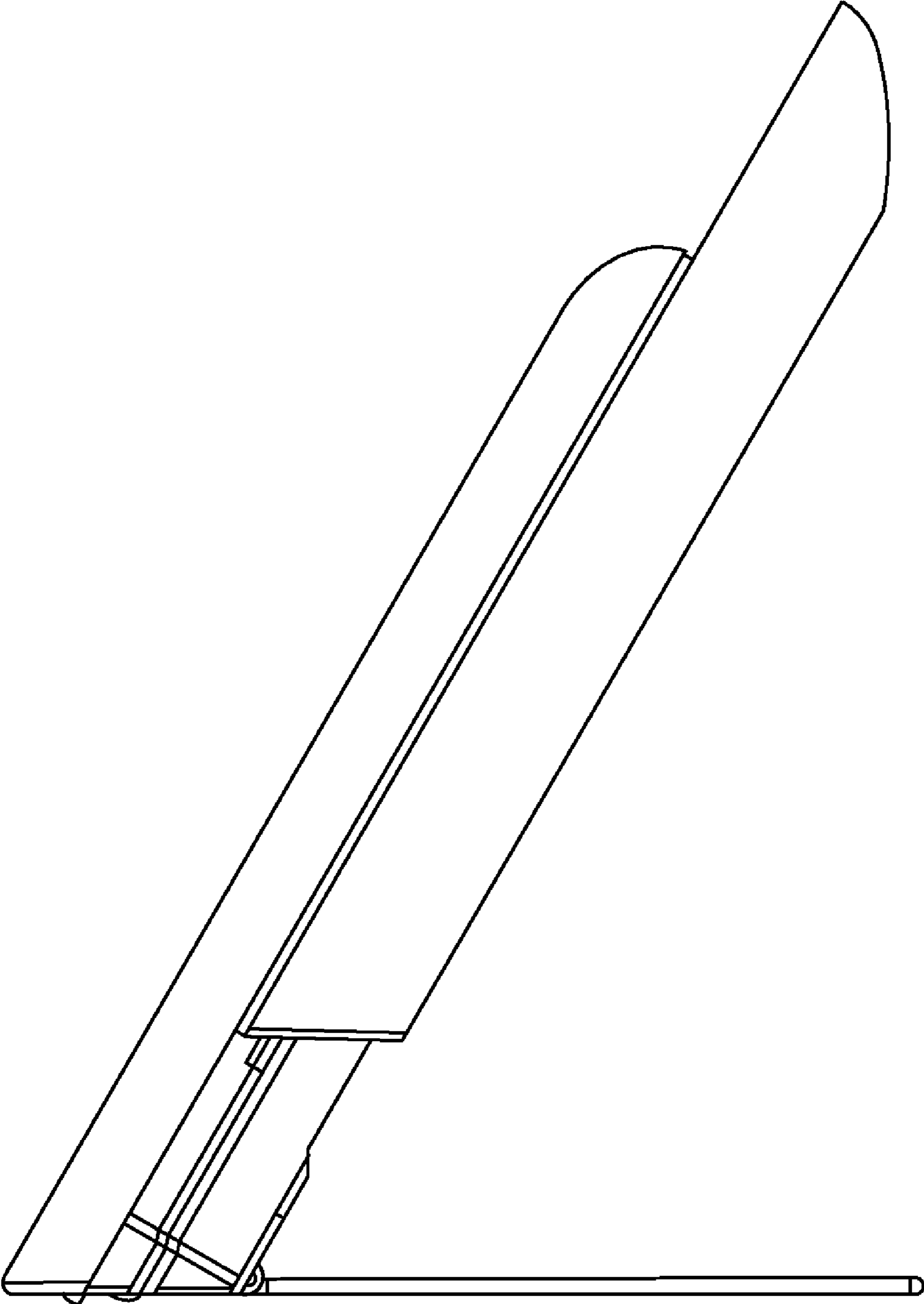


FIG. 22

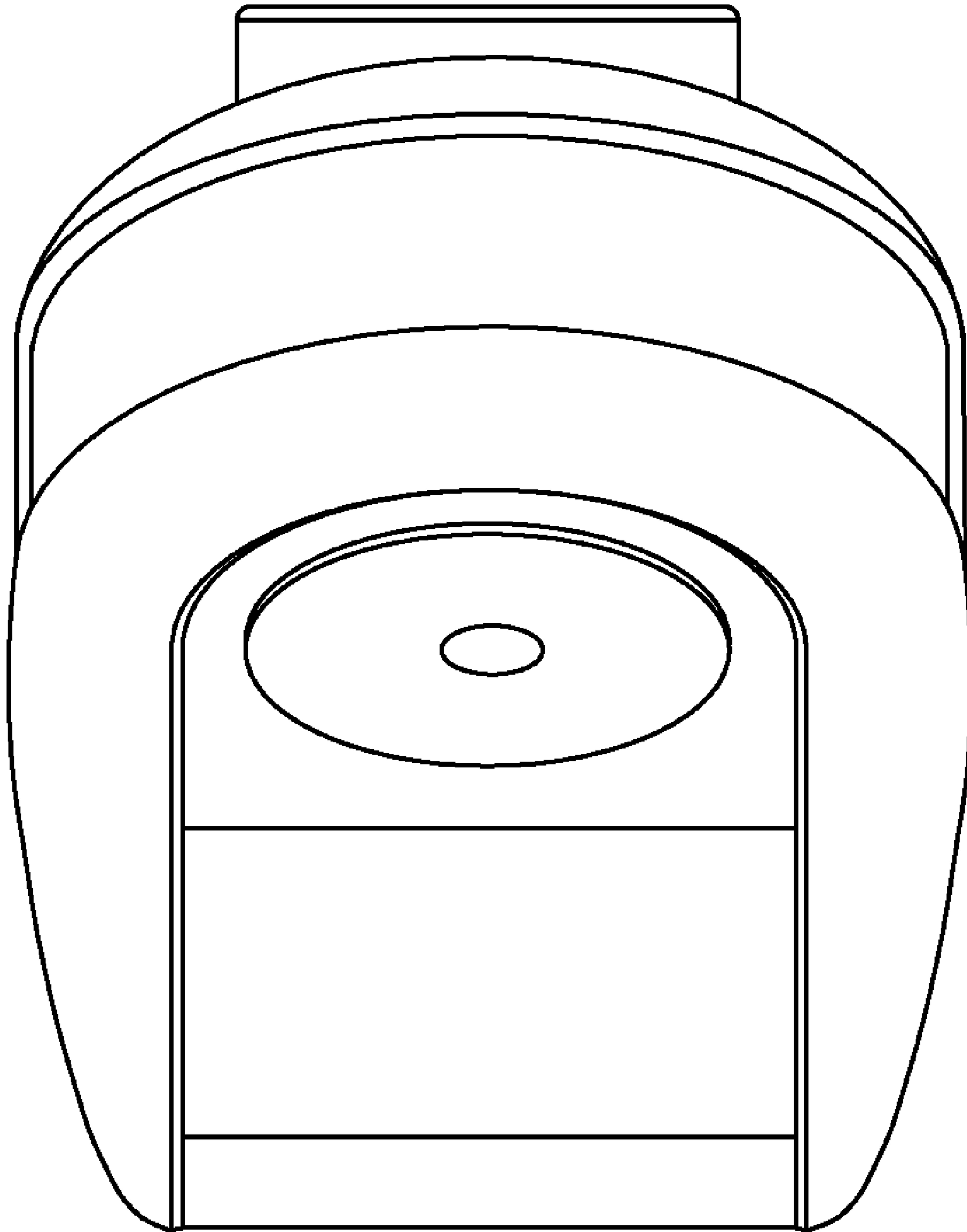


FIG. 23

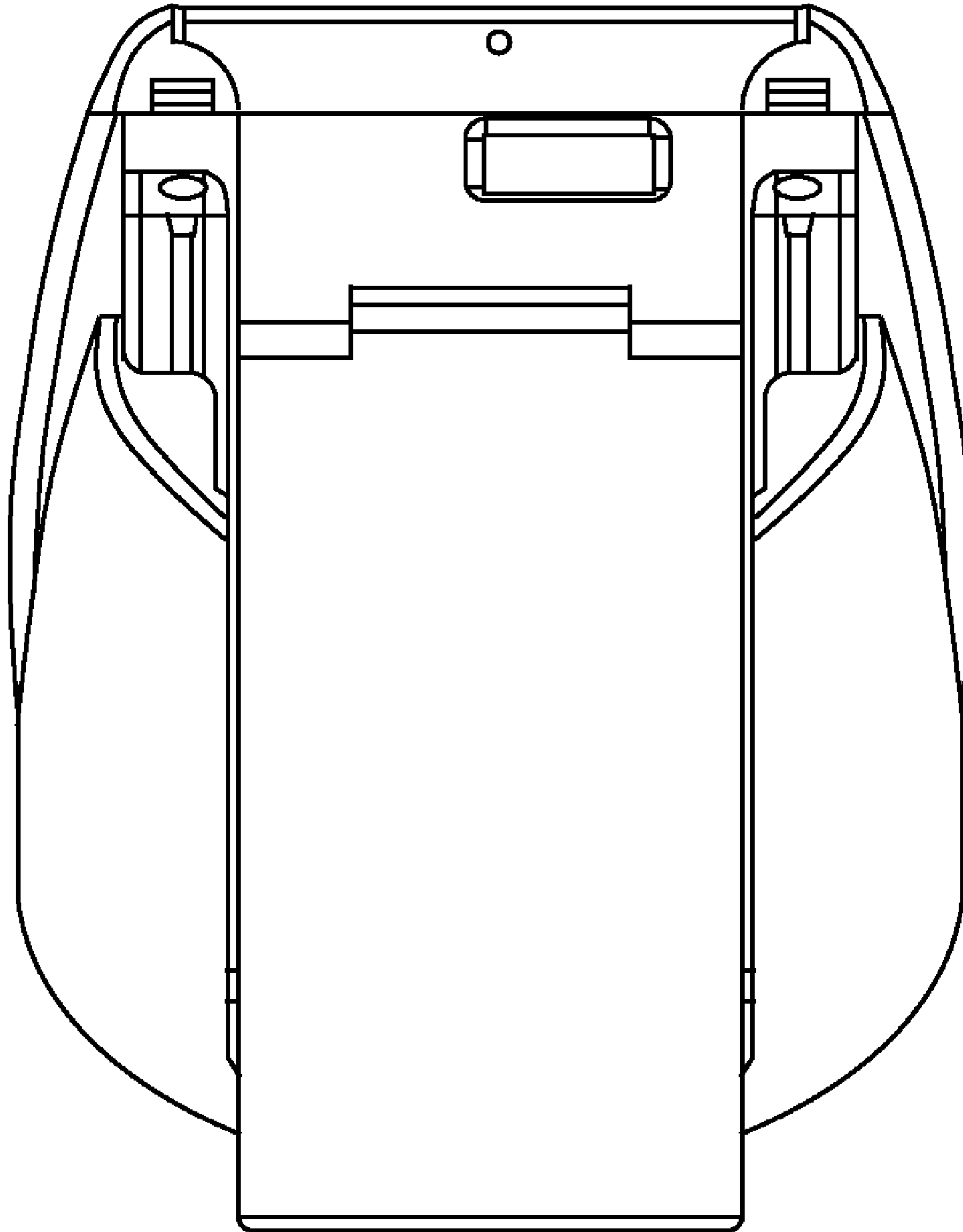


FIG. 24

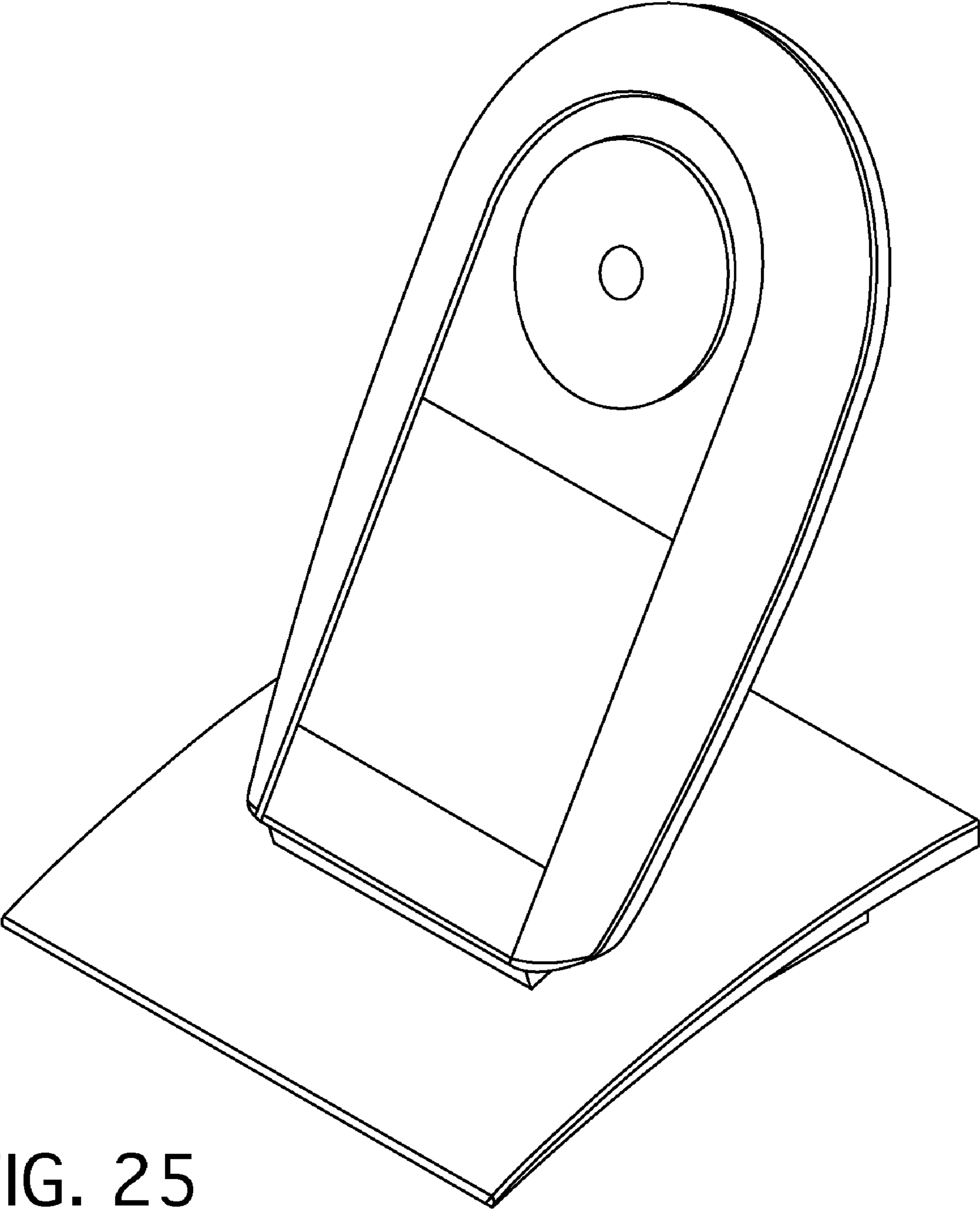


FIG. 25

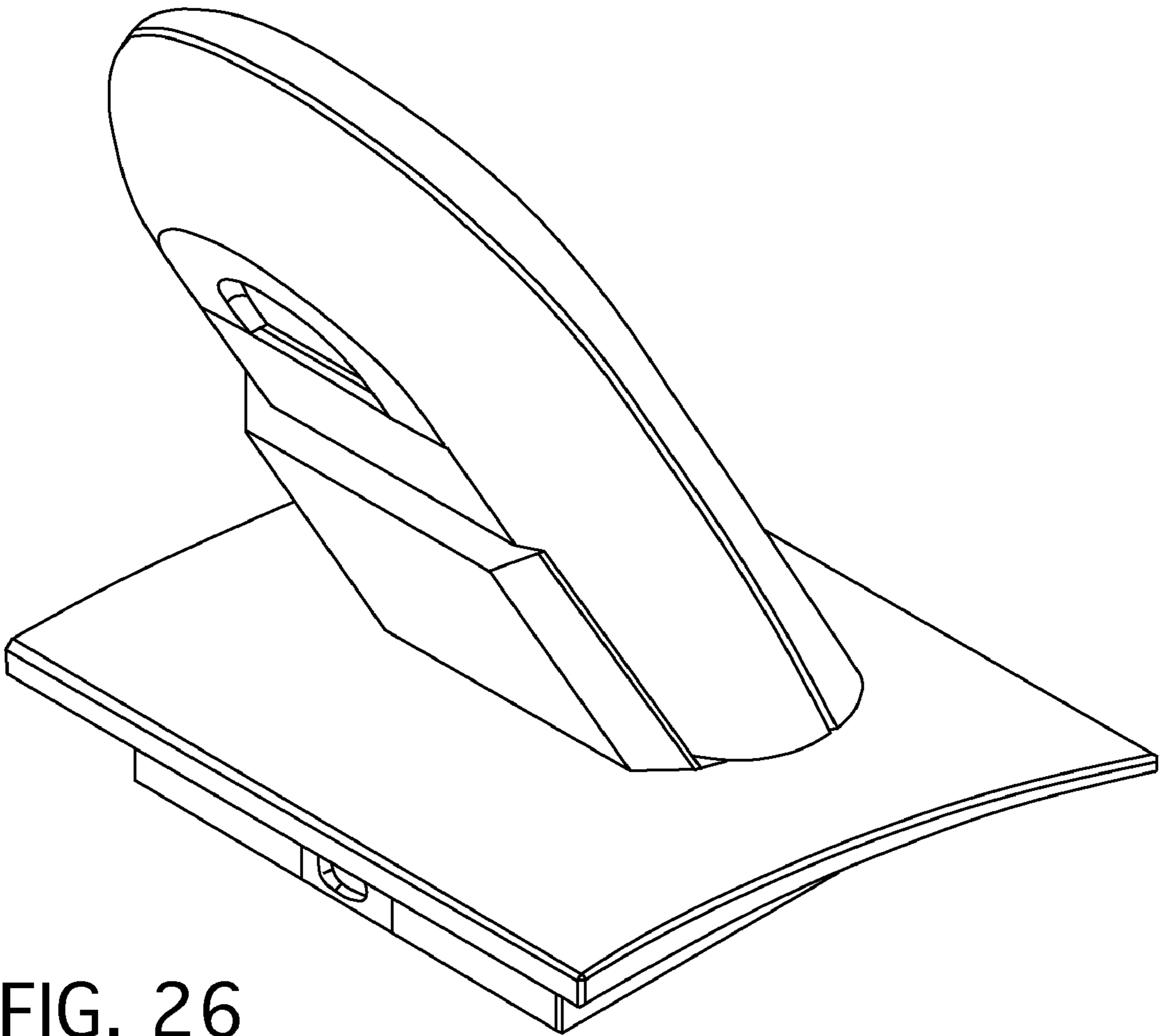


FIG. 26

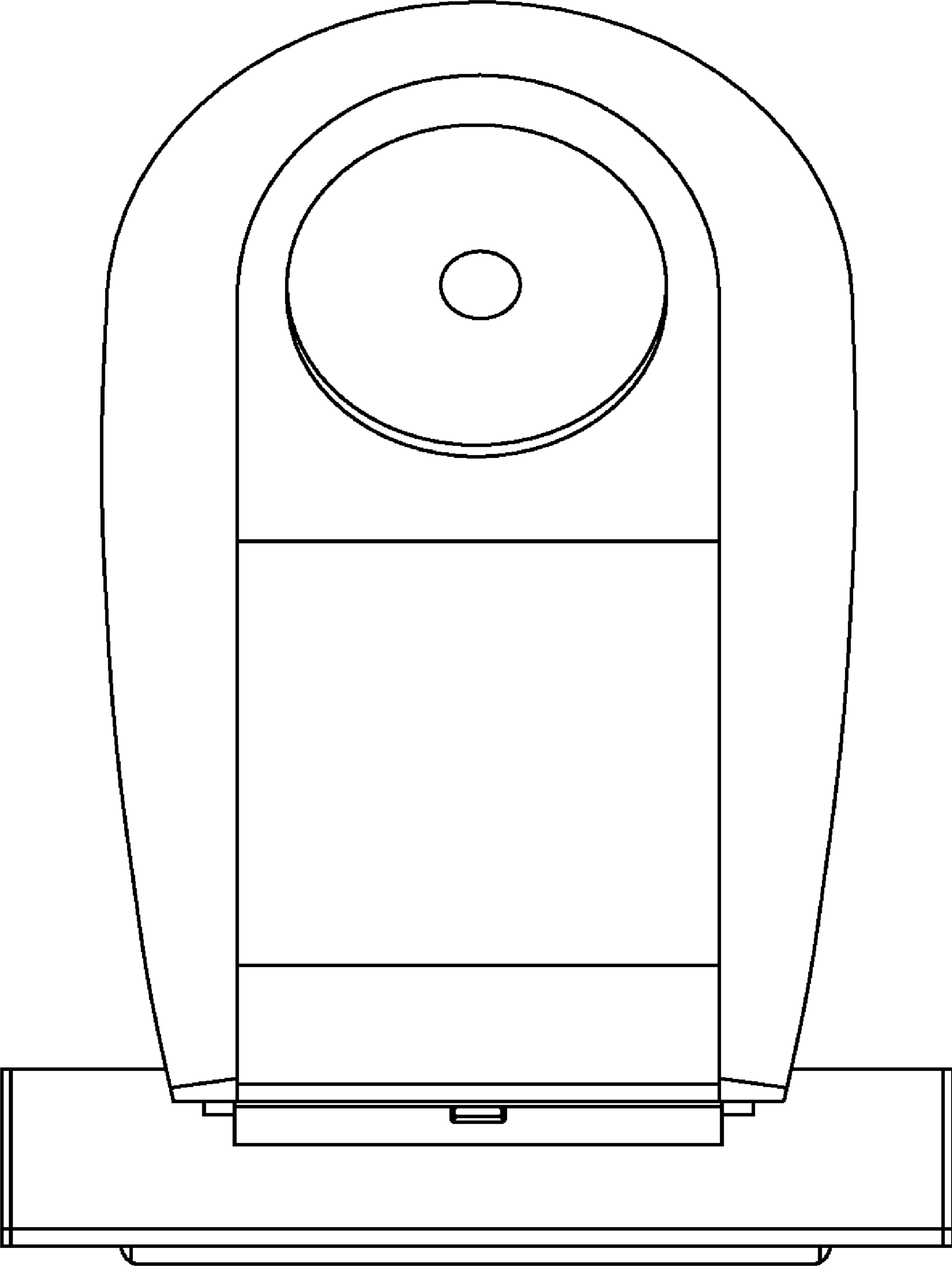


FIG. 27

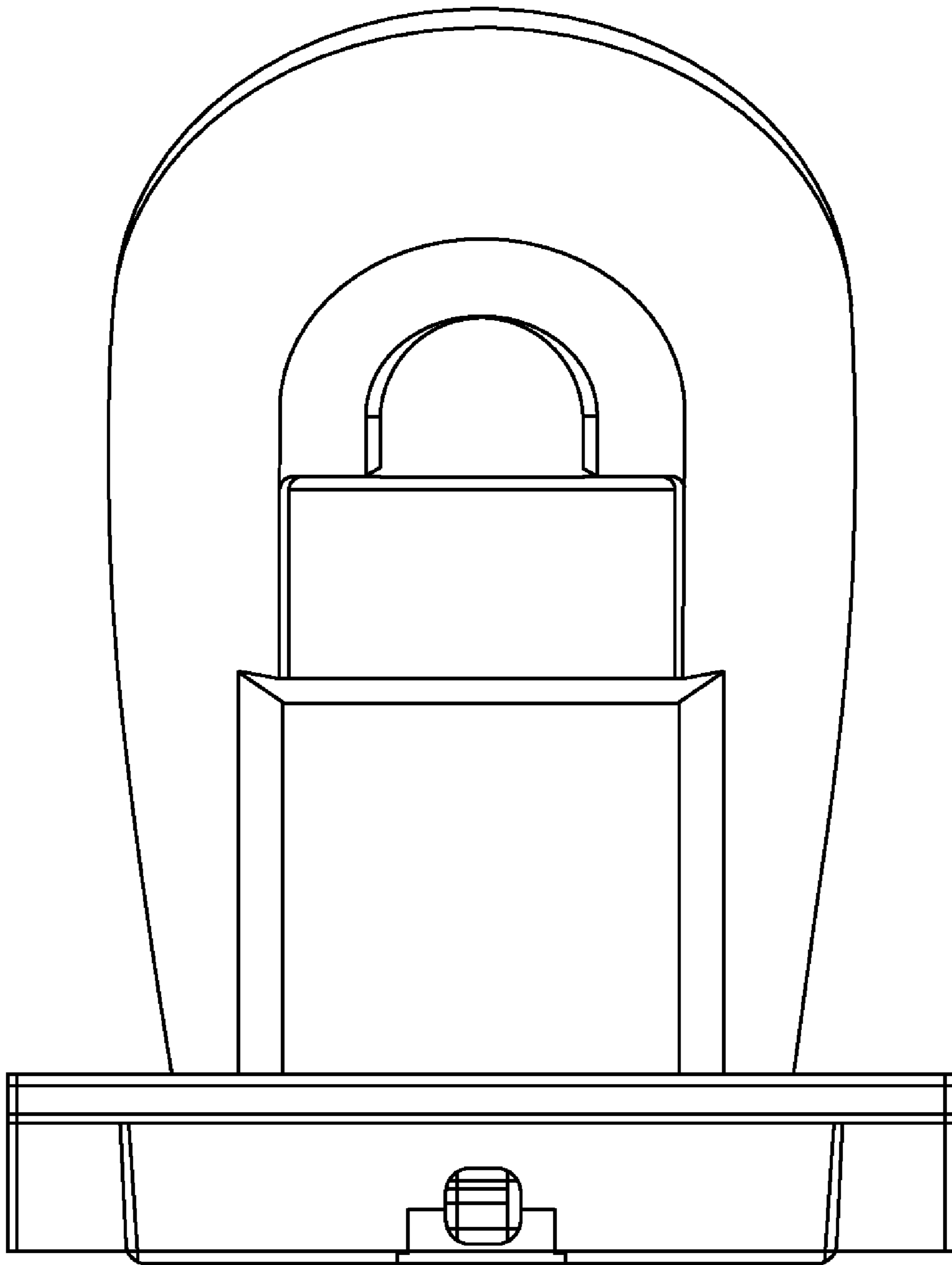


FIG. 28

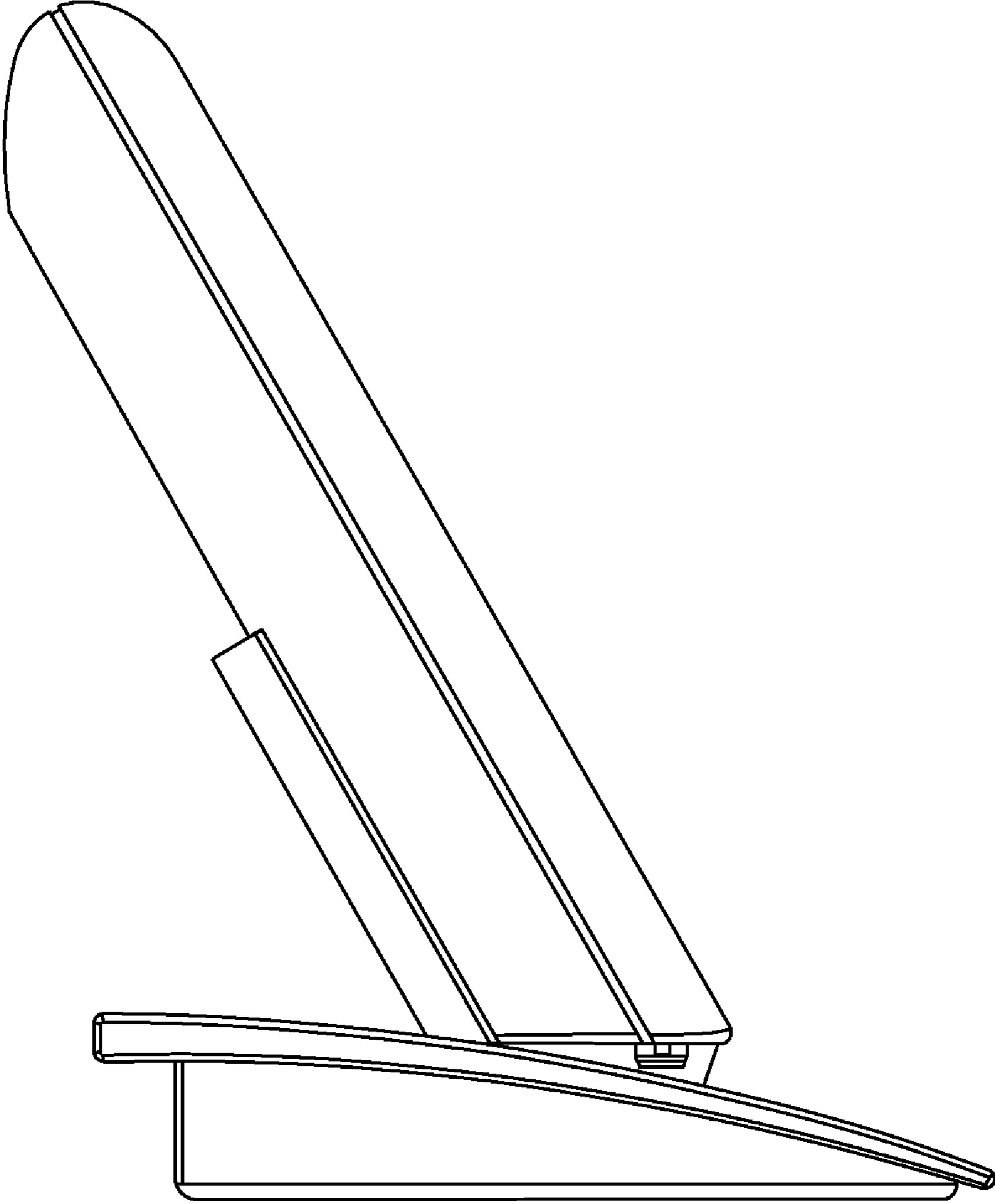


FIG. 29

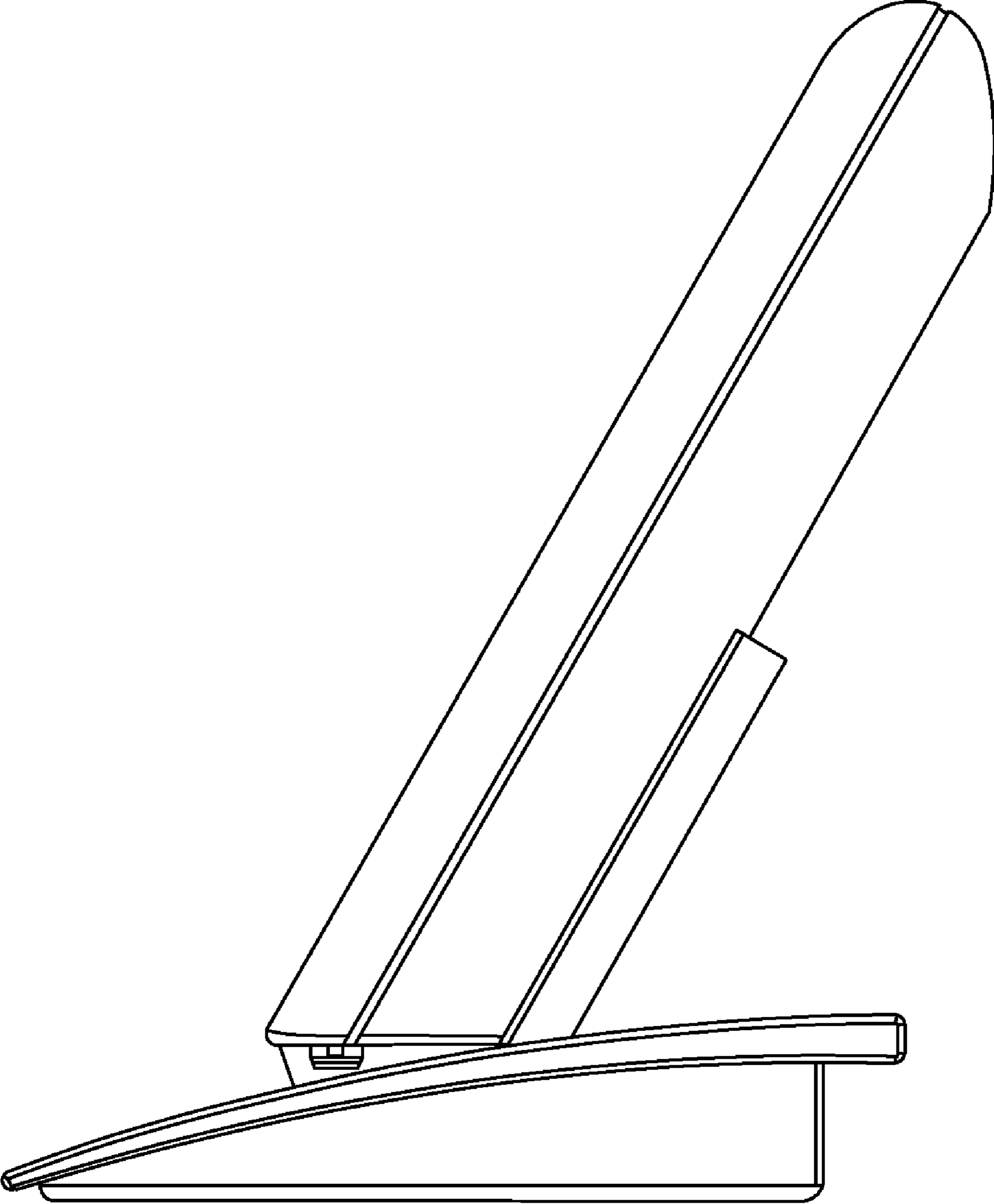


FIG. 30

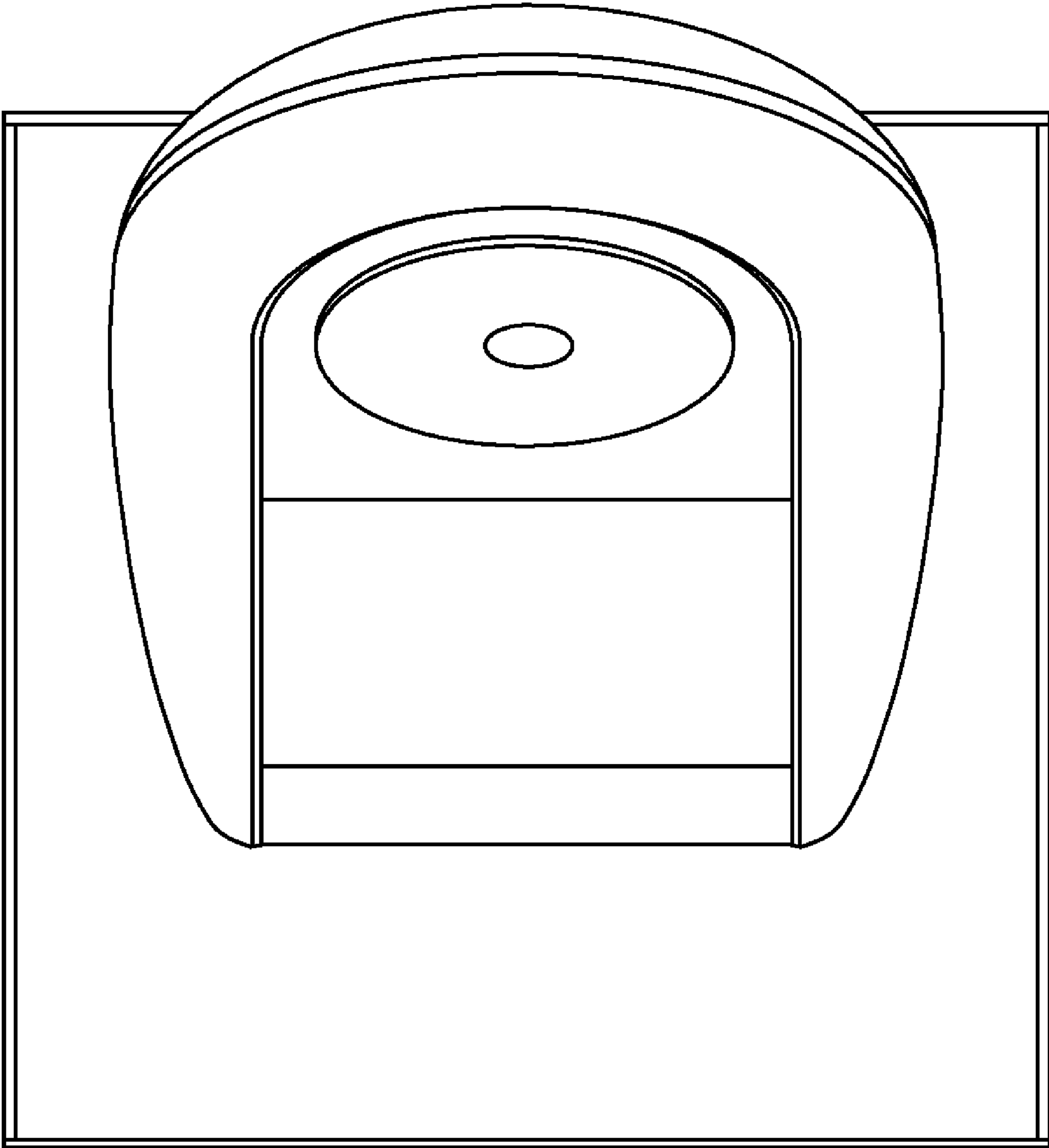


FIG. 31

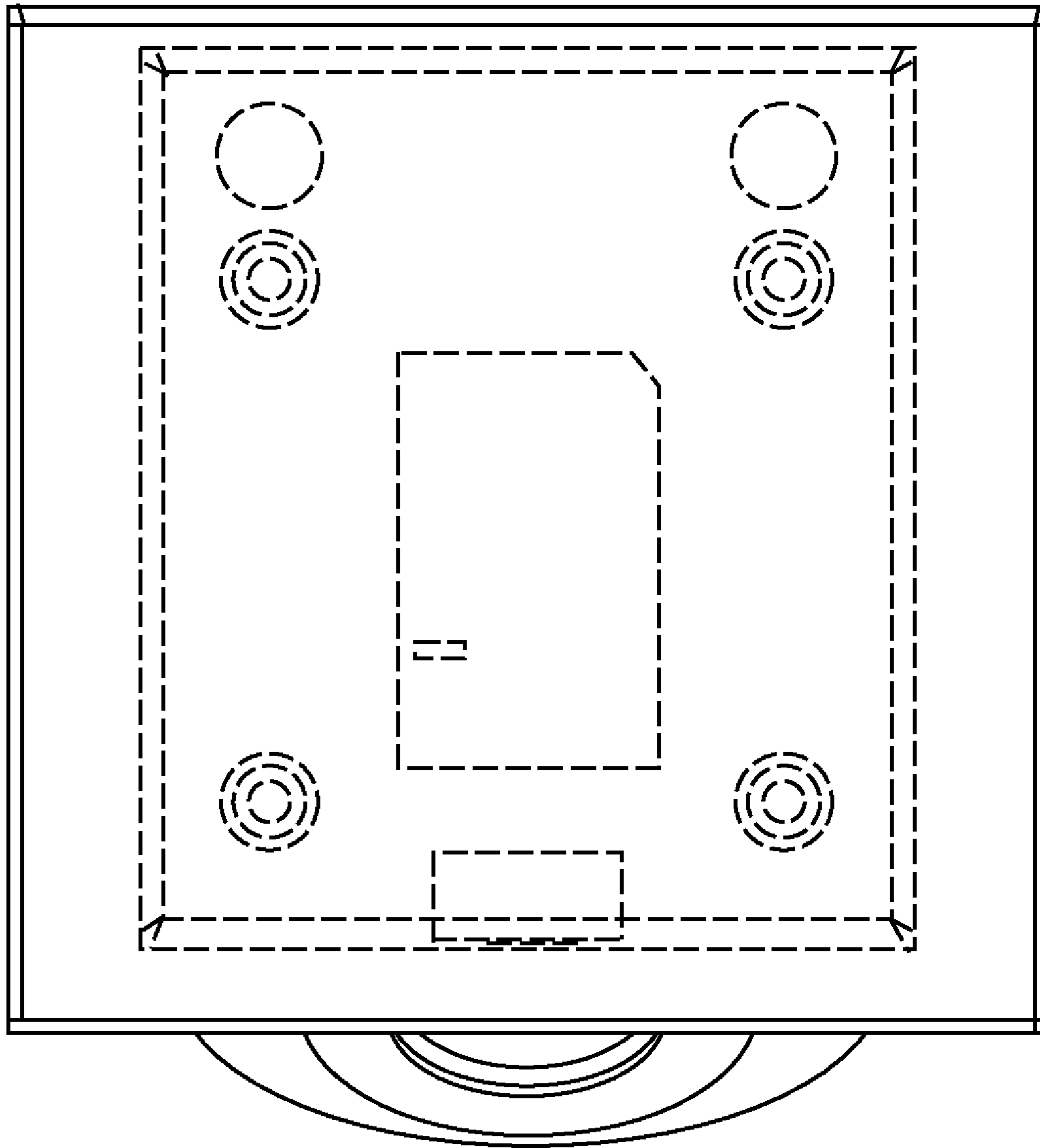


FIG. 32

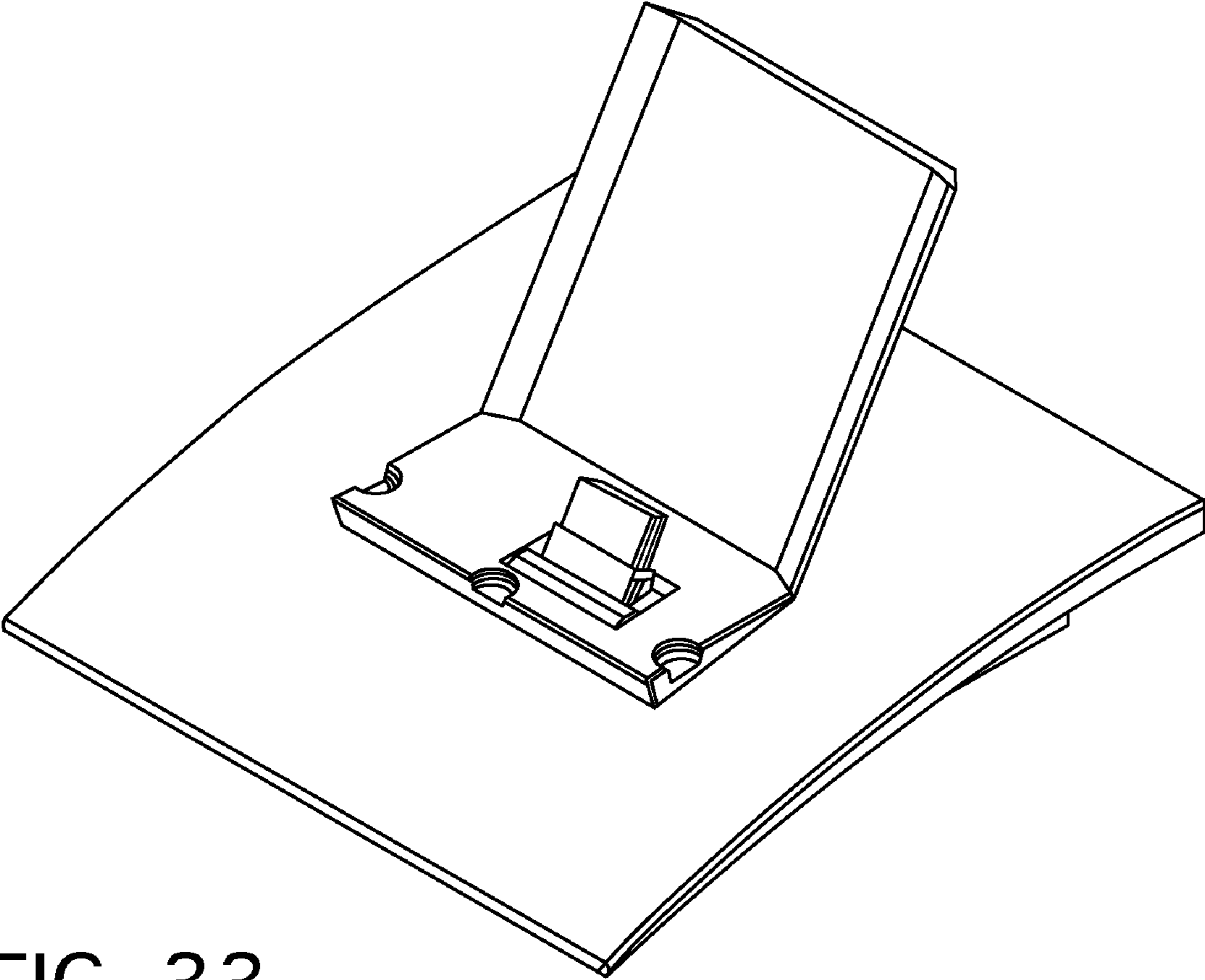


FIG. 33

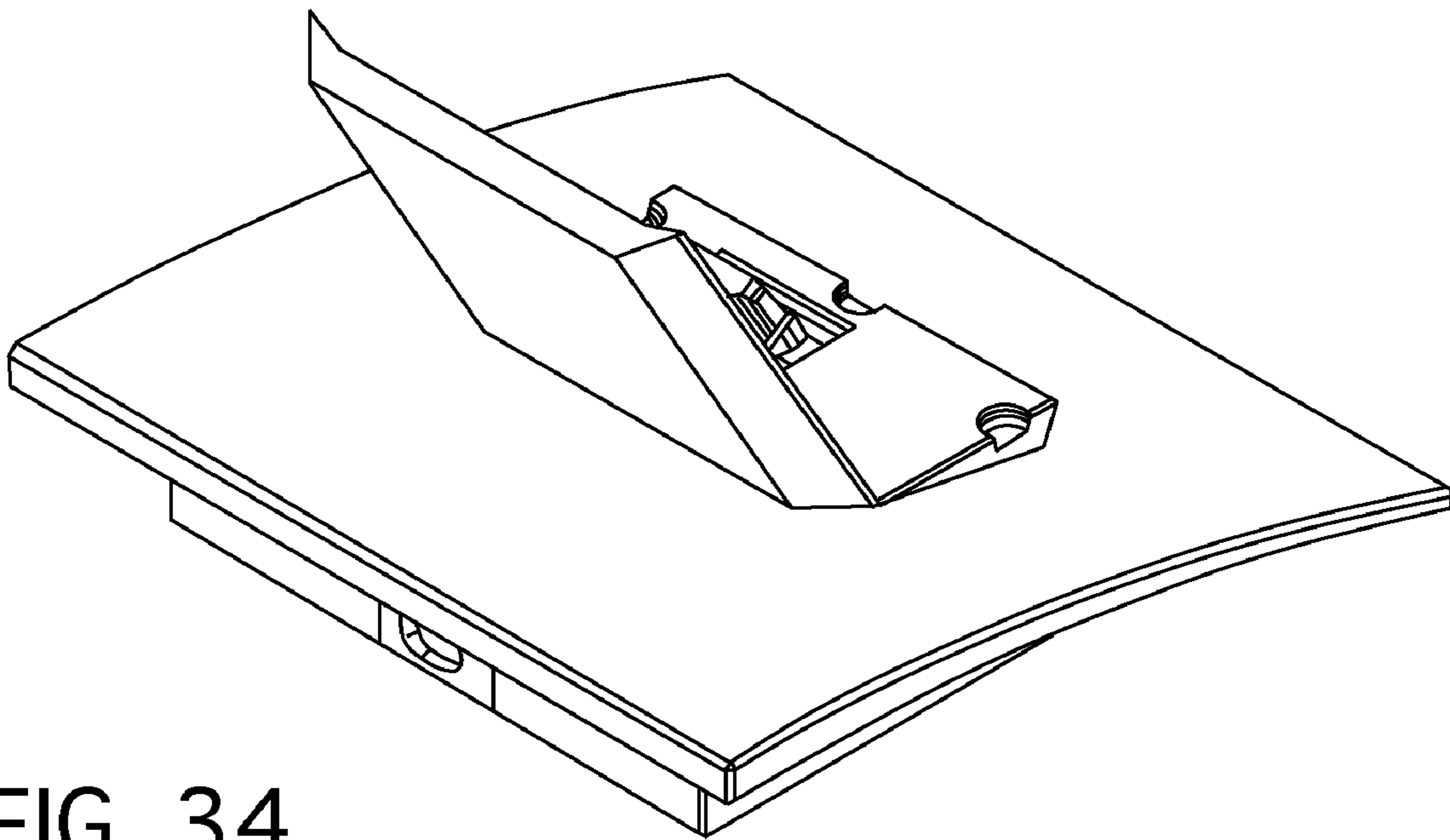


FIG. 34

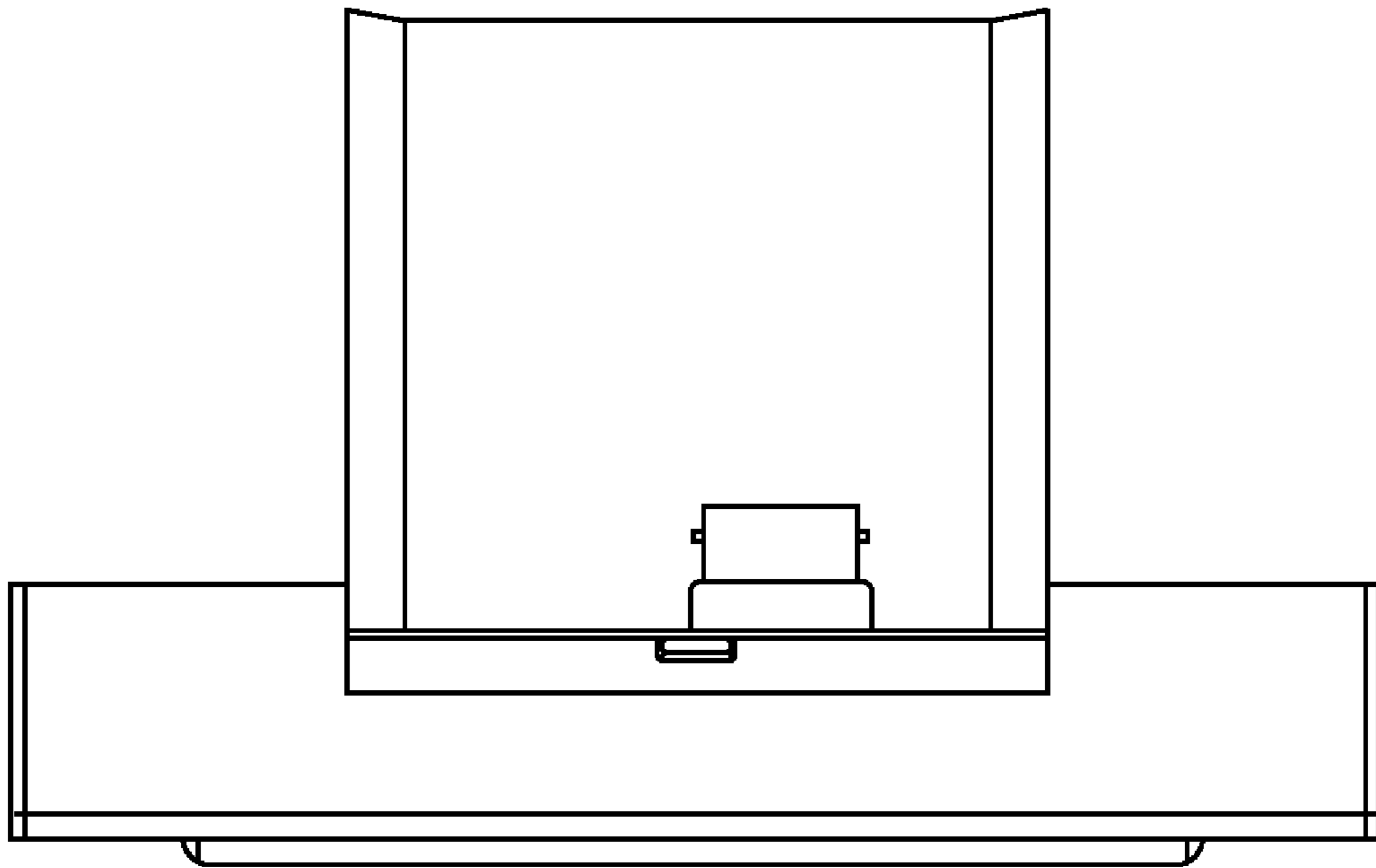


FIG. 35

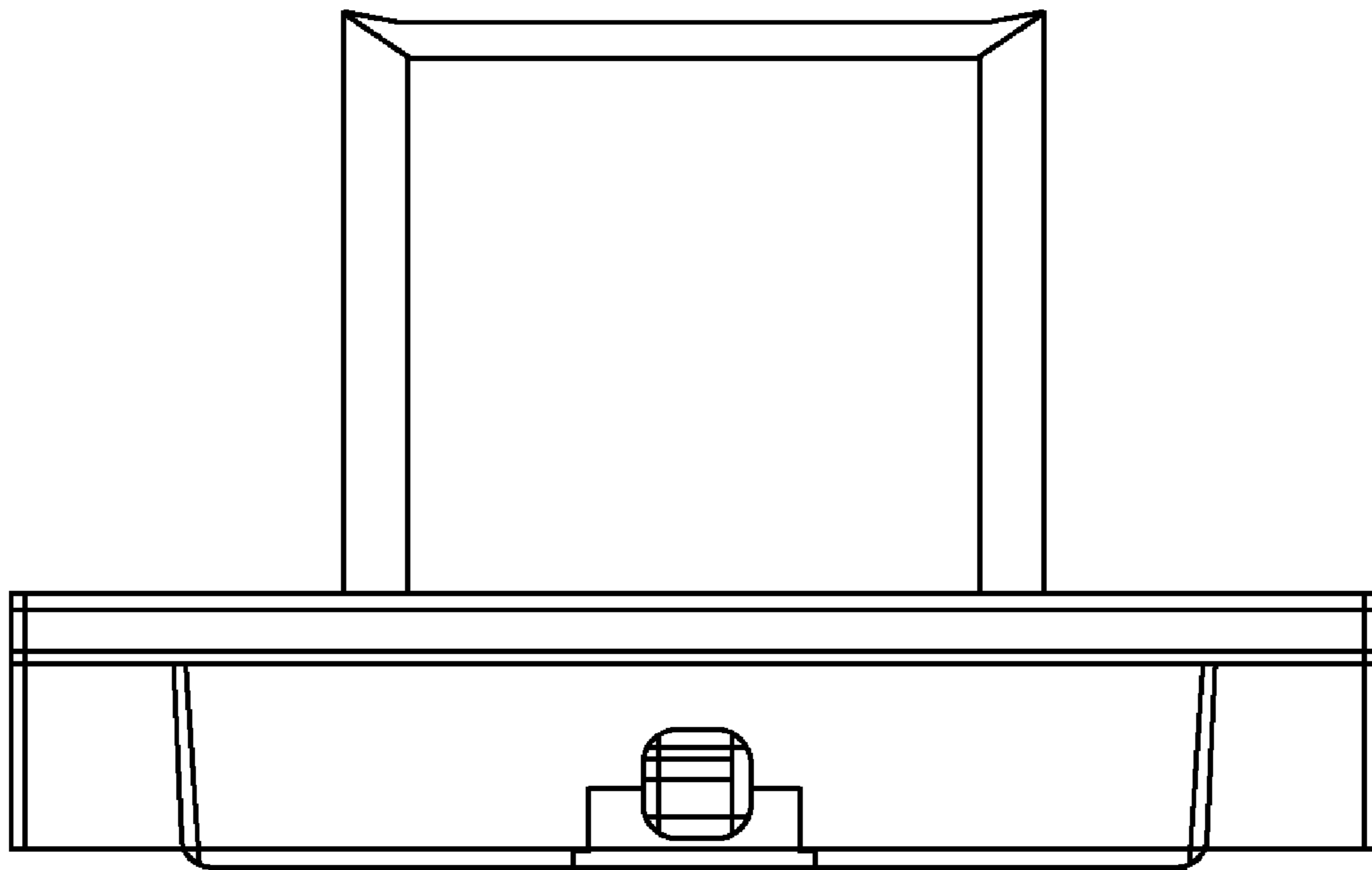


FIG. 36

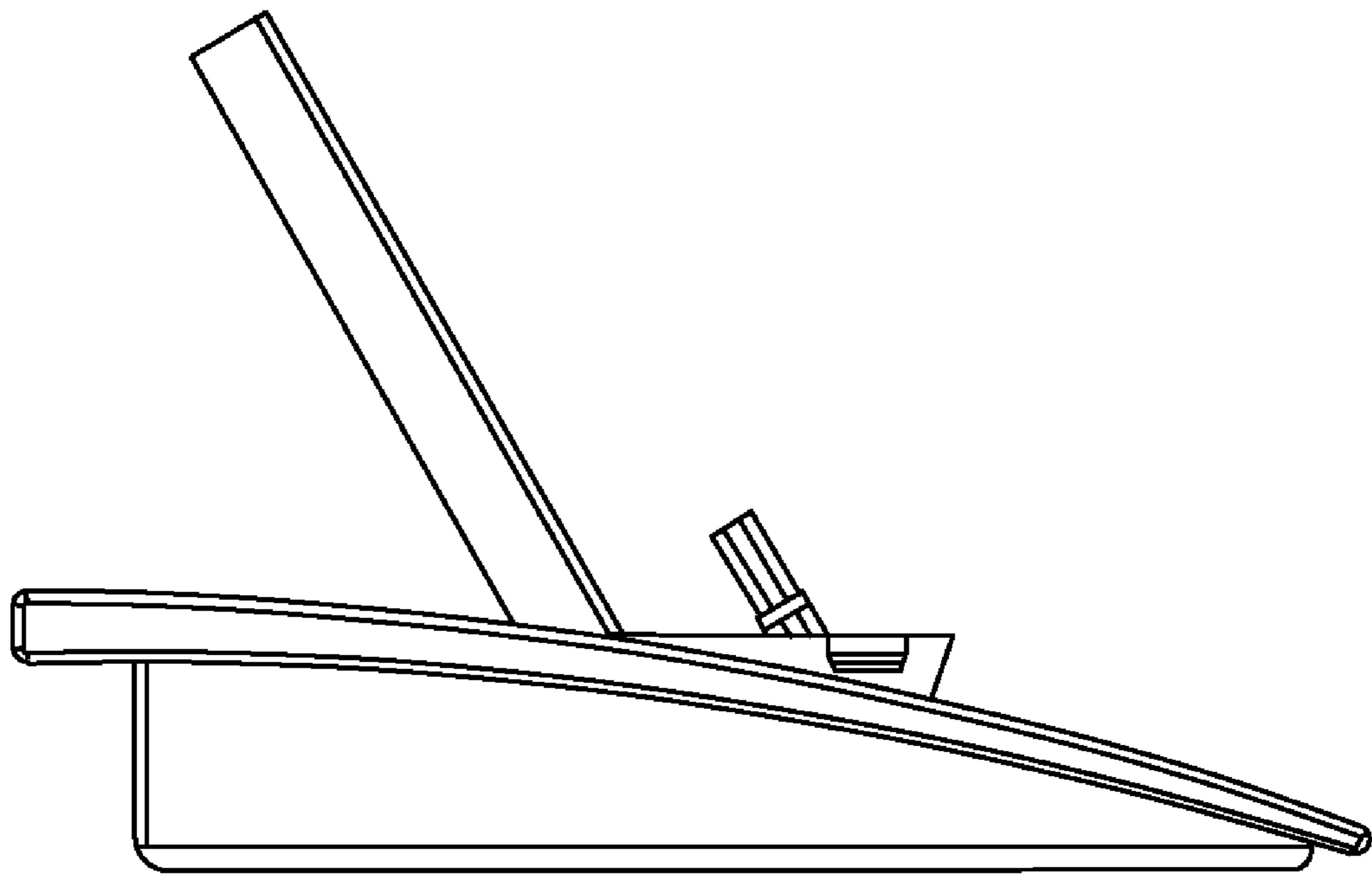


FIG. 37

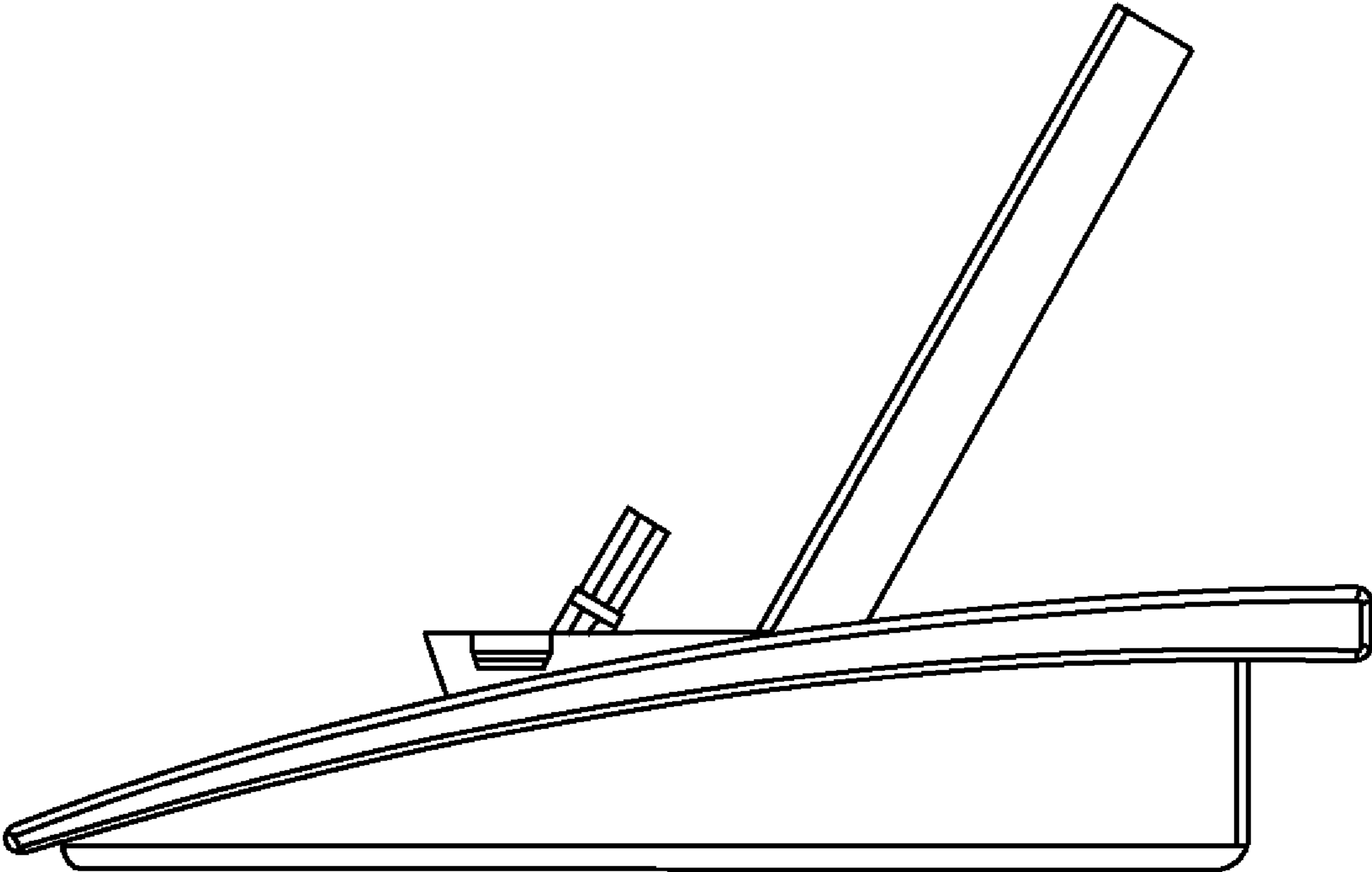


FIG. 38

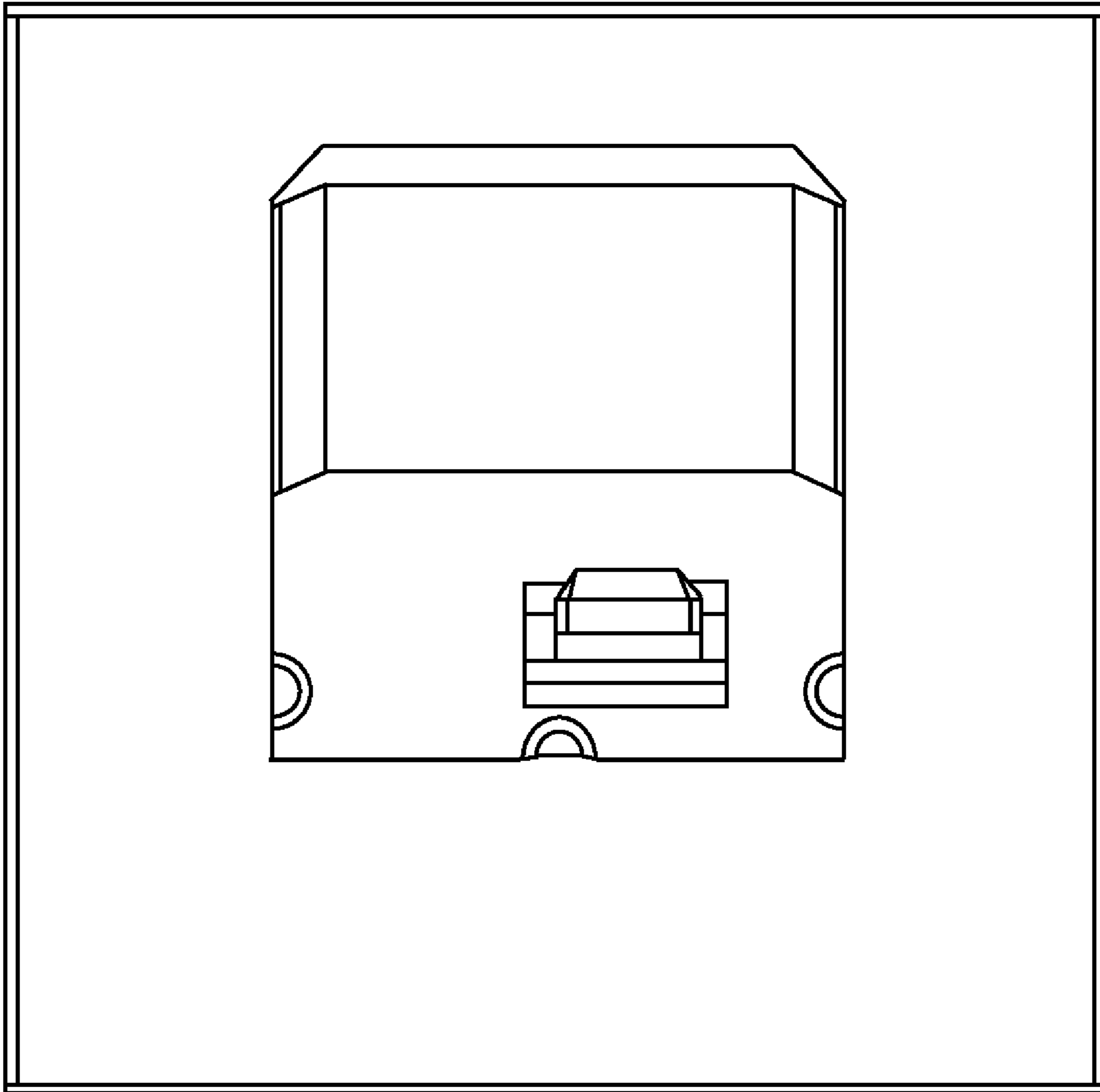


FIG. 39

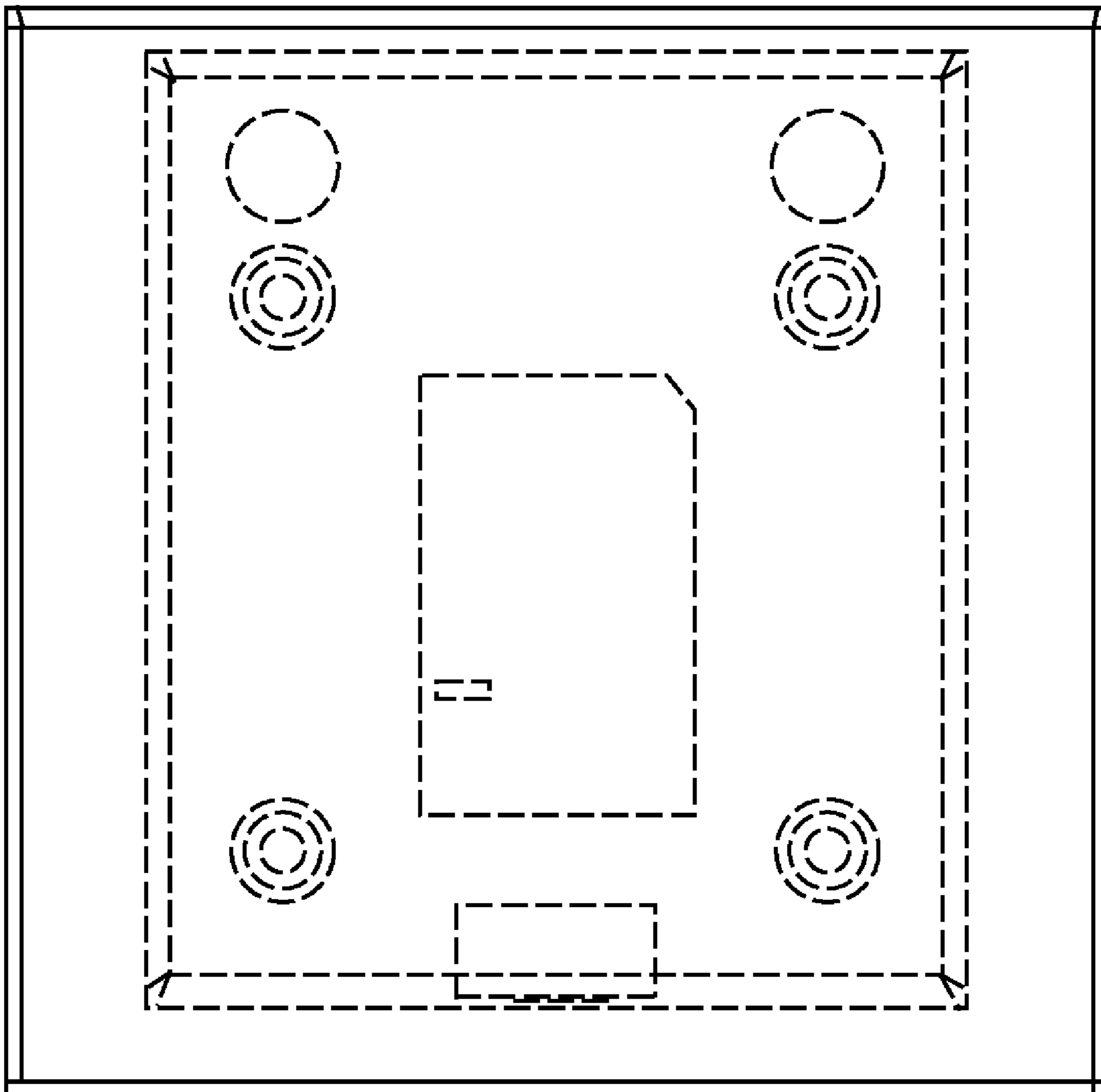


FIG. 40