



US00D602494S

(12) **United States Design Patent**
Lannon et al.

(10) **Patent No.:** **US D602,494 S**
(45) **Date of Patent:** **** Oct. 20, 2009**

(54) **SLEEVE FOR AN ELECTRONIC DEVICE**

(75) Inventors: **Michael G. Lannon**, 14 Driftwood La., Orleans, MA (US) 02653; **Mary Obana**, Orleans, MA (US); **Carl R. Spoeth, Jr.**, Bayonet Point, FL (US); **Jeffrey A. Pearson**, Plymouth, MA (US); **James R. Varney**, Belmont, MA (US); **Bryan Hotaling**, Harvard, MA (US)

(73) Assignee: **Michael G. Lannon**, Orleans, MA (US)

(**) Term: **14 Years**

(21) Appl. No.: **29/272,394**

(22) Filed: **Feb. 7, 2007**

(51) **LOC (9) Cl.** **14-99**

(52) **U.S. Cl.** **D14/480.5**

(58) **Field of Classification Search** D14/411, D14/384-385, 518, 348, 432-436, 299, 167, D14/402, 242, 356, 358, 496, 156, 240, 435.1, D14/480.5; 455/344; 710/300-301; 361/684-686; 439/518, 139-141, 131, 607, 133; 365/63
See application file for complete search history.

(56) **References Cited**

U.S. PATENT DOCUMENTS

D379,456 S *	5/1997	Osiecki	D14/167
D436,879 S *	1/2001	Deguchi et al.	D10/104
D445,708 S *	7/2001	Huang et al.	D10/104
D446,511 S *	8/2001	Kanno et al.	D14/167

(Continued)

OTHER PUBLICATIONS

The Definitive Flash Drive Collection : Plastic—Web Archive [online] Oct. 28, 2005 [retrieved on Jul. 6, 2007]. Retrieved from the Internet <URL: <http://web.archive.org/web/20051028160915/http://www.thedefinitiveflashdrivecollection.com/plastic-heart.html>>.*

(Continued)

Primary Examiner—Robin V Webster
Assistant Examiner—Karen E Kearney

(74) *Attorney, Agent, or Firm*—Fish & Richardson P.C.

(57) **CLAIM**

The ornamental design for a sleeve for an electronic device, as shown and described.

DESCRIPTION

FIG. 1 is a front top isometric view of a first embodiment of my new design for a sleeve for an electronic device;

FIG. 2 is a view similar to FIG. 1 illustrating a portion of the sleeve removed;

FIG. 3 is a front bottom isometric view of FIG. 1;

FIG. 4 is a front bottom isometric view of FIG. 2;

FIG. 5 is a rear top isometric view of FIG. 1;

FIG. 6 is a rear top isometric view of FIG. 2;

FIG. 7 is a rear bottom isometric view of FIG. 1;

FIG. 8 is rear bottom isometric view of FIG. 2;

FIG. 9 is a top view of FIG. 1;

FIG. 10 is a top view of FIG. 2;

FIG. 11 is a bottom view of FIG. 1;

FIG. 12 is a bottom view of FIG. 2;

FIG. 13 is a front view of FIG. 1;

FIG. 14 is a front view of FIG. 2;

FIG. 15 is a rear view of FIG. 1;

FIG. 16 is a rear view of FIG. 2;

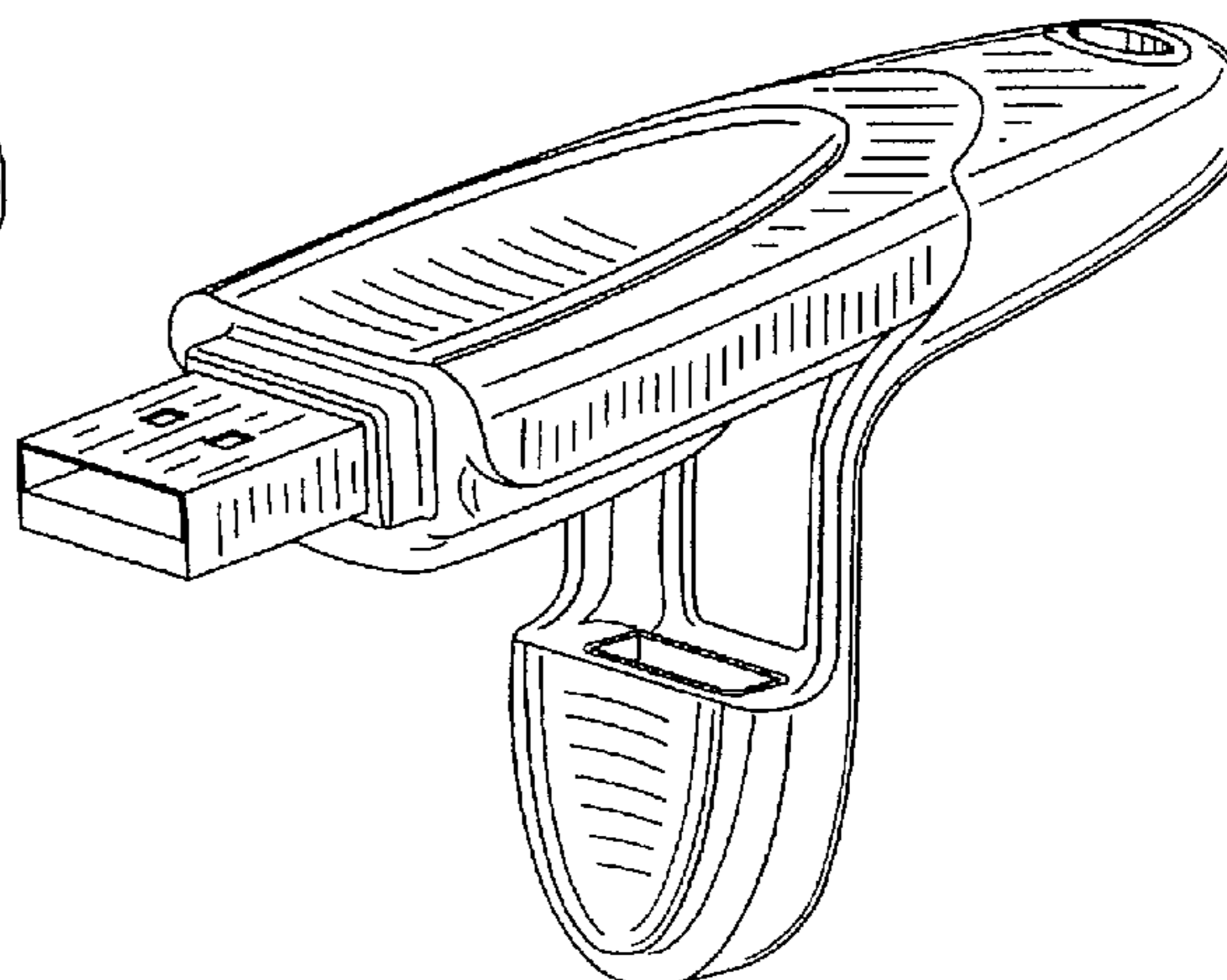
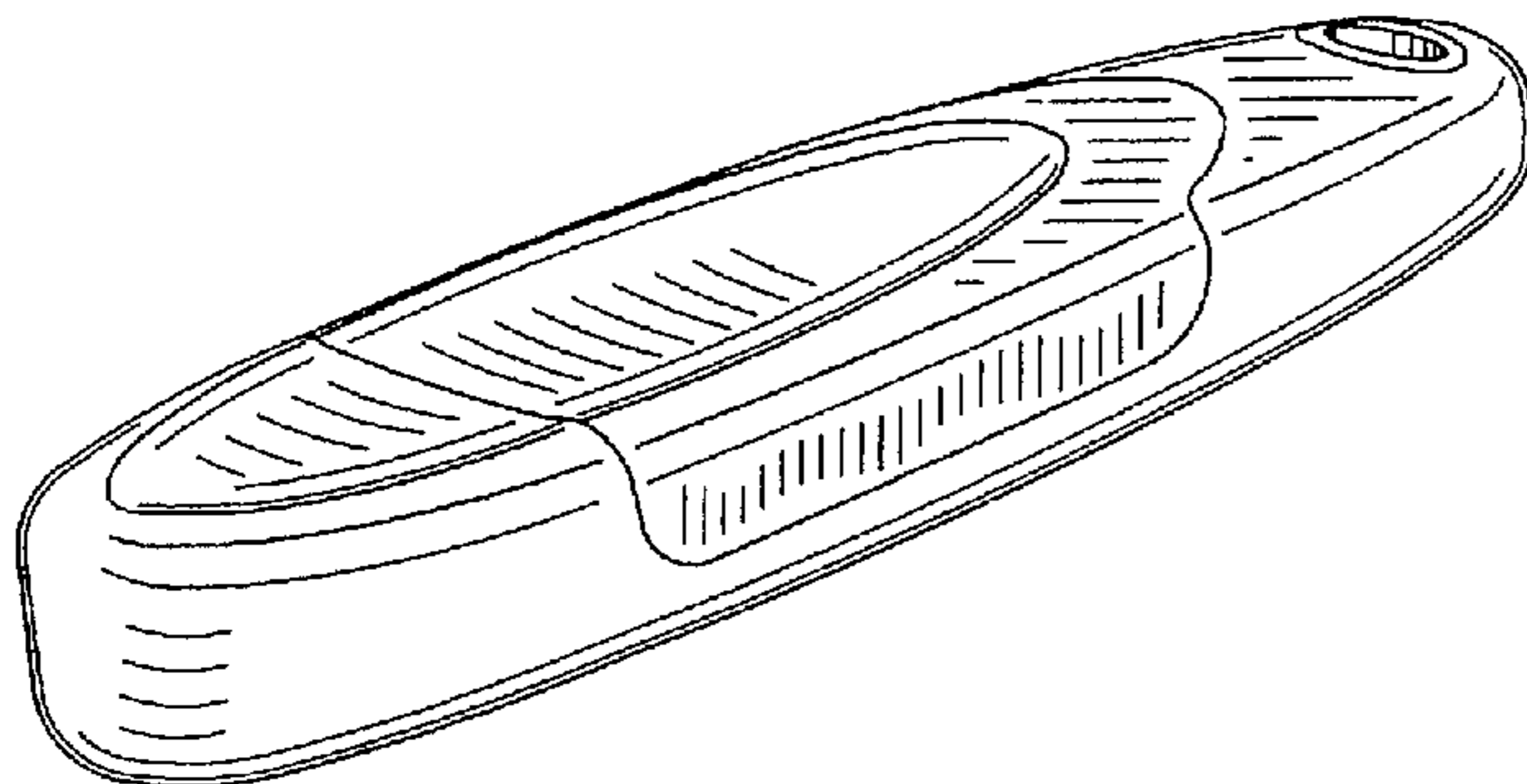
FIG. 17 is a right side view of FIG. 1;

FIG. 18 is a right side view of FIG. 2;

FIG. 19 is a left side view of FIG. 1; and,

FIG. 20 is a left side view of FIG. 2;

1 Claim, 10 Drawing Sheets



US D602,494 S

Page 2

U.S. PATENT DOCUMENTS

6,456,500 B1 9/2002 Chen
6,522,534 B1 2/2003 Wu
D475,359 S * 6/2003 Hirose D14/167
6,612,853 B2 9/2003 Wu
6,650,534 B2 * 11/2003 Tree 361/686
D492,307 S 6/2004 Aqqad et al.
6,758,689 B1 7/2004 Bair et al.
6,763,410 B2 7/2004 Yu
D494,969 S 8/2004 Lin
6,808,400 B2 10/2004 Tu
D500,484 S * 1/2005 Deguchi D14/167
D502,166 S * 2/2005 Nakamura D14/167
6,905,352 B2 6/2005 Chao
6,932,629 B2 8/2005 Ikenoue
D511,519 S * 11/2005 Bone et al. D14/435
D545,318 S * 6/2007 Klenske et al. D14/432
D556,197 S * 11/2007 Blankenship et al. D14/356
D566,114 S * 4/2008 Chu D14/356

D571,684 S * 6/2008 Kim D11/2
7,390,201 B1 * 6/2008 Quinby et al. 439/133
D581,413 S * 11/2008 Kim D14/356
D583,815 S * 12/2008 Giovannoni D14/356
2003/0223286 A1 12/2003 Lee
2004/0090751 A1 5/2004 Choi et al.
2004/0212966 A1 10/2004 Fisher et al.
2005/0009388 A1 1/2005 Chao
2006/0223369 A1 * 10/2006 Zheng 439/607

OTHER PUBLICATIONS

Web Archive [online] Feb. 8, 2006 [retrieved on Dec. 4, 2006]. Retrieved from the Internet <URL: <http://web.archive.org/web/20060208032439/http://www.ixbt.com/storage/flashdrives-p16.shtml>>.*
Flash Drives [online], [retrieved on Jul. 6, 2007]. Retrieved from the Internet <URL: http://archives.imaginginfo.com/article/photos/1143056996584_2006_03_product_2.jpg>.*

* cited by examiner

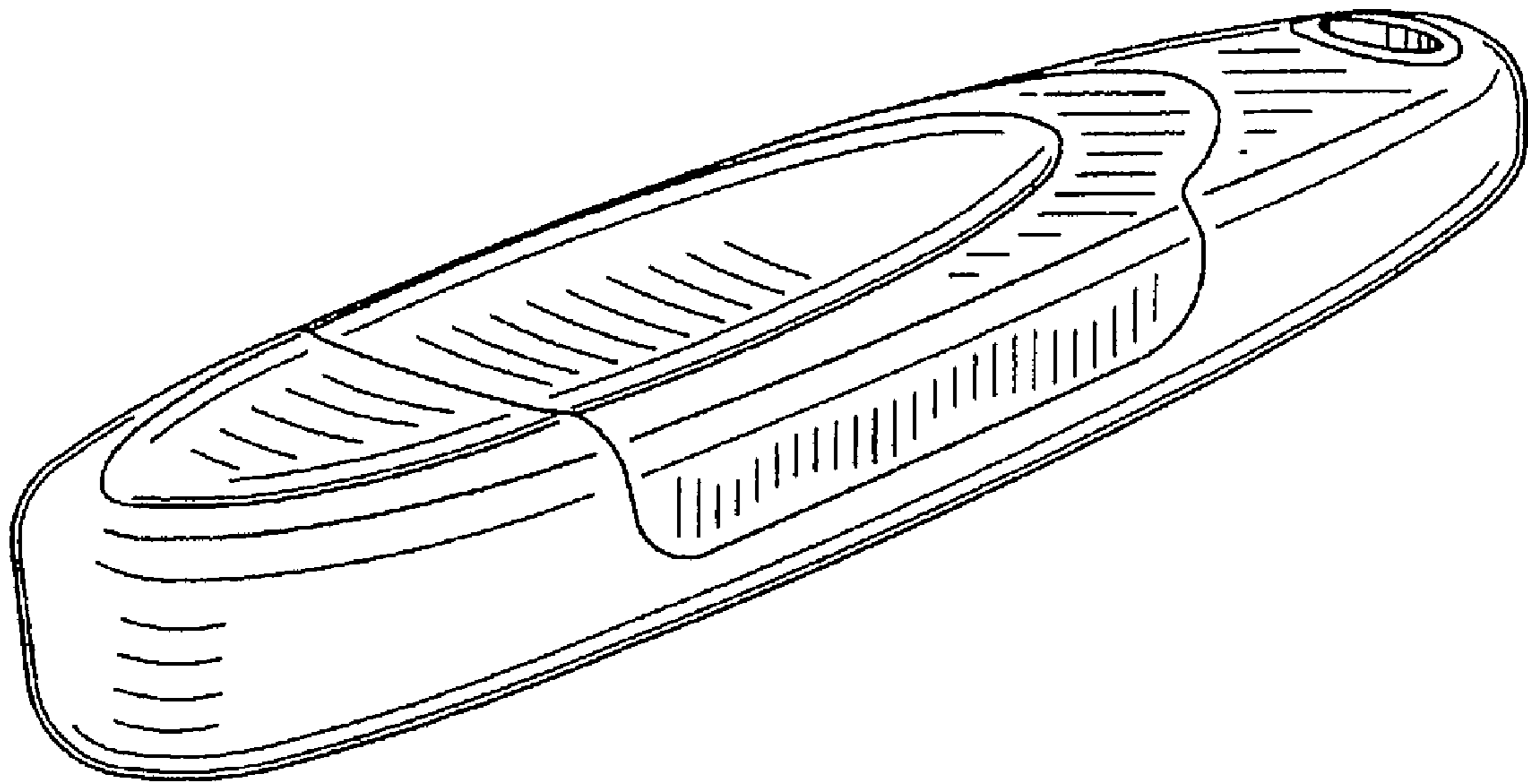


FIG. 1

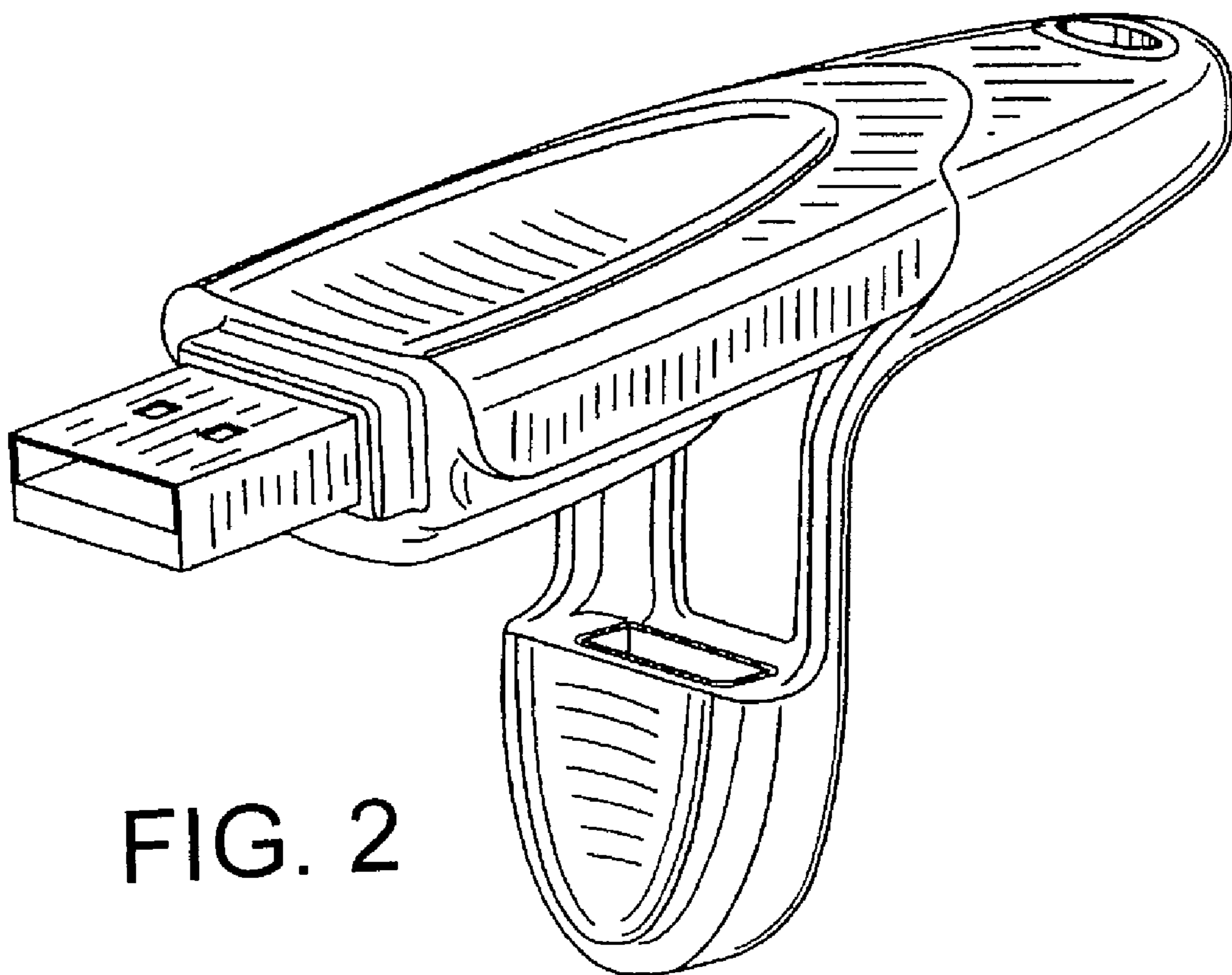


FIG. 2

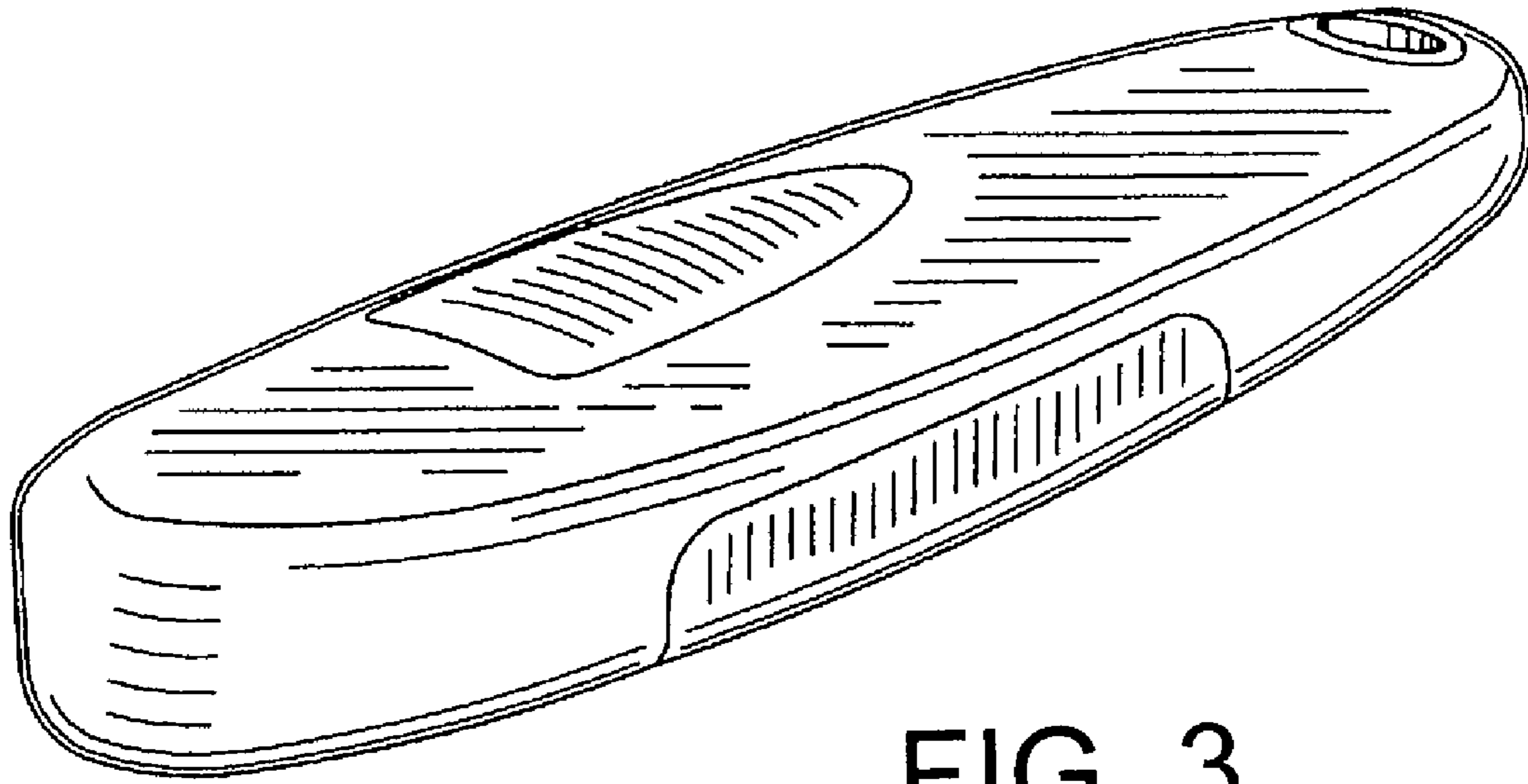


FIG. 3

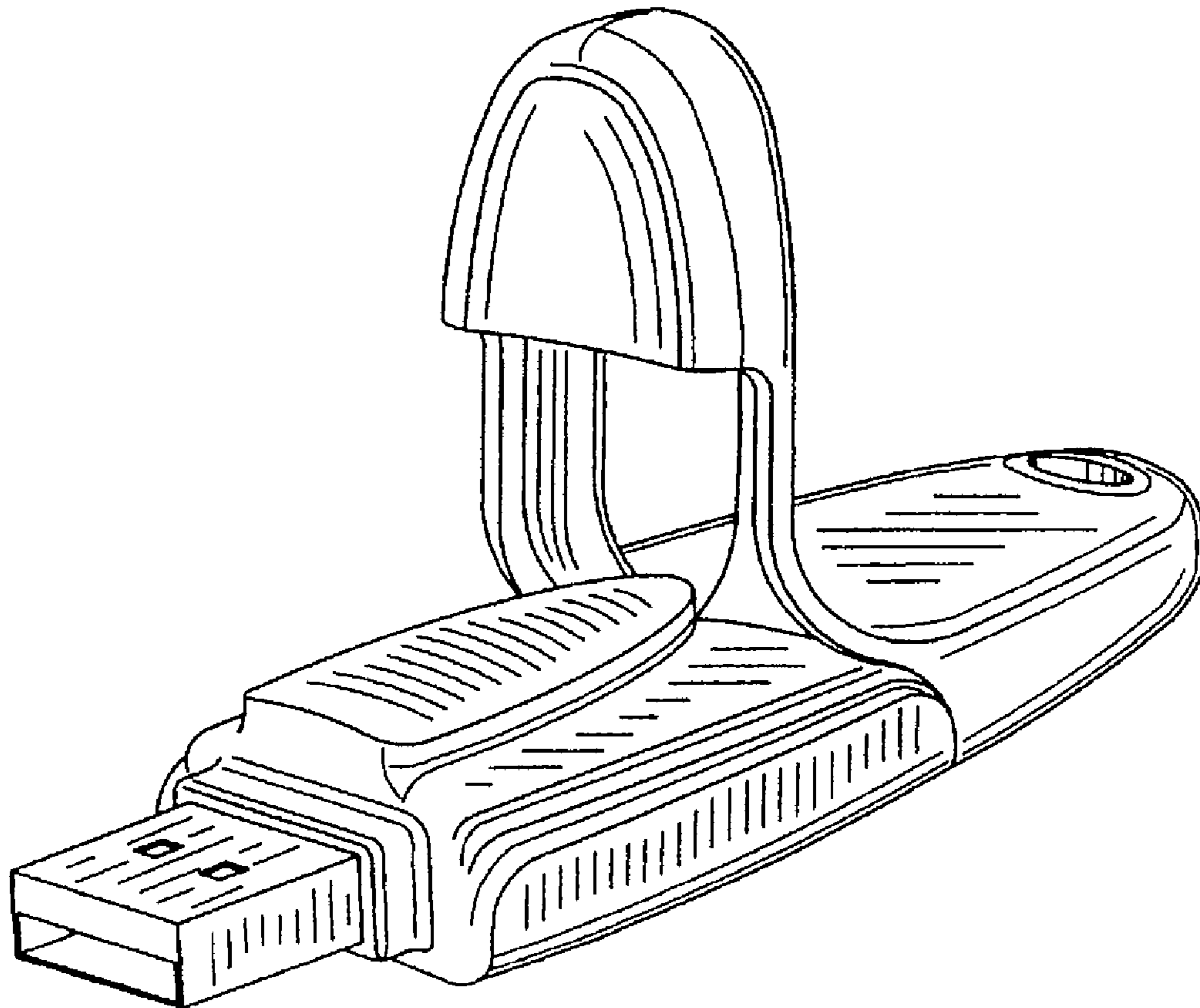


FIG. 4

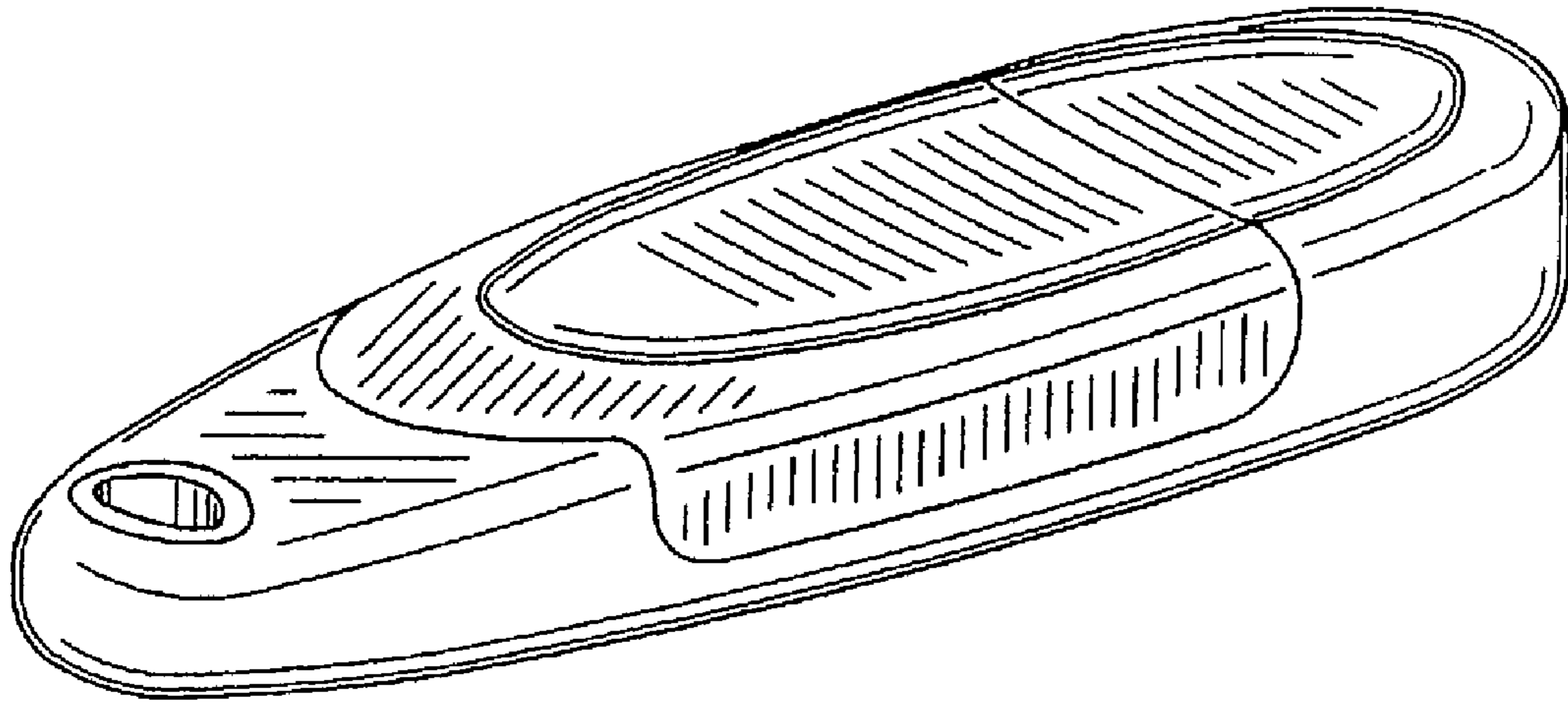


FIG. 5

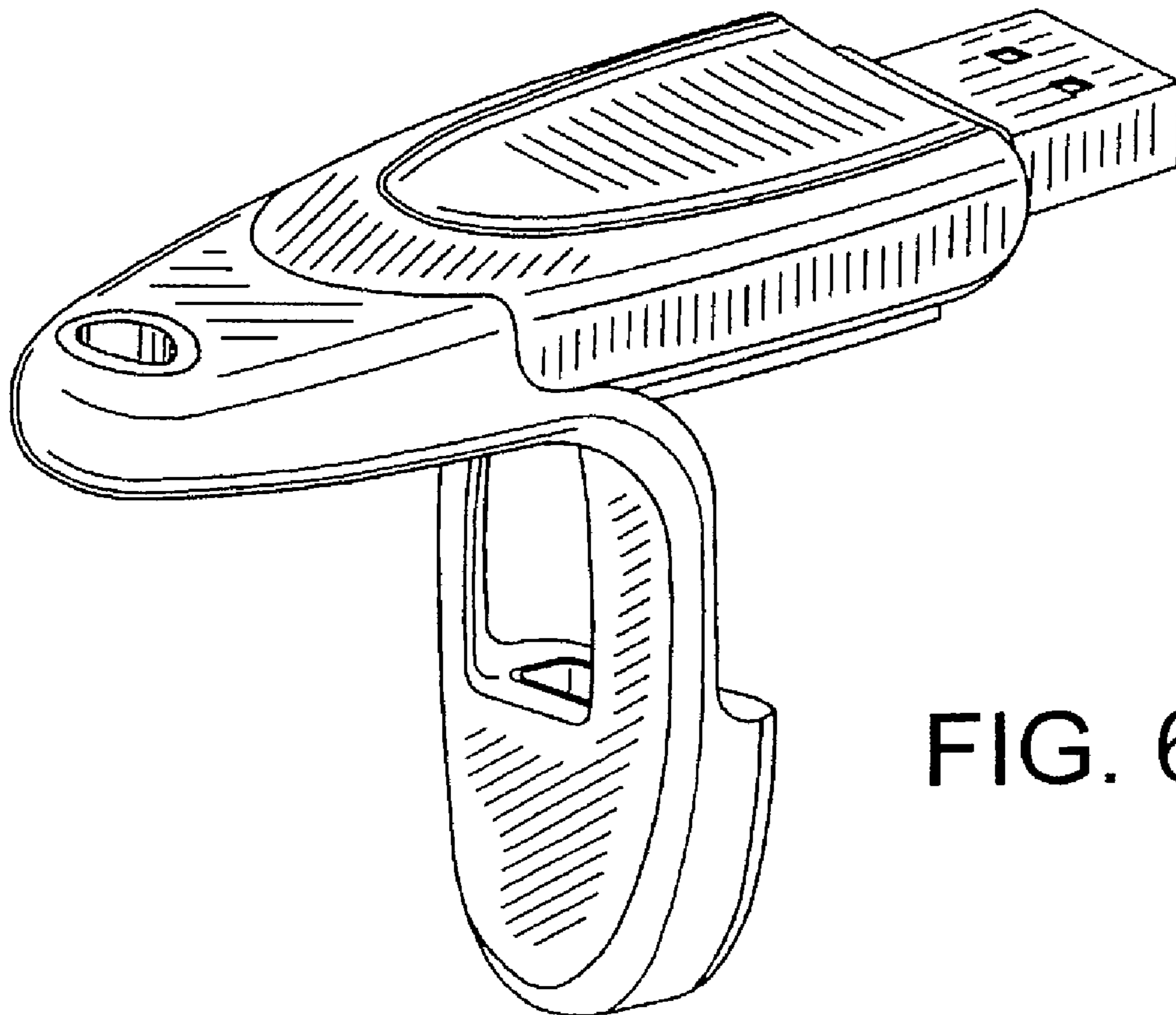


FIG. 6

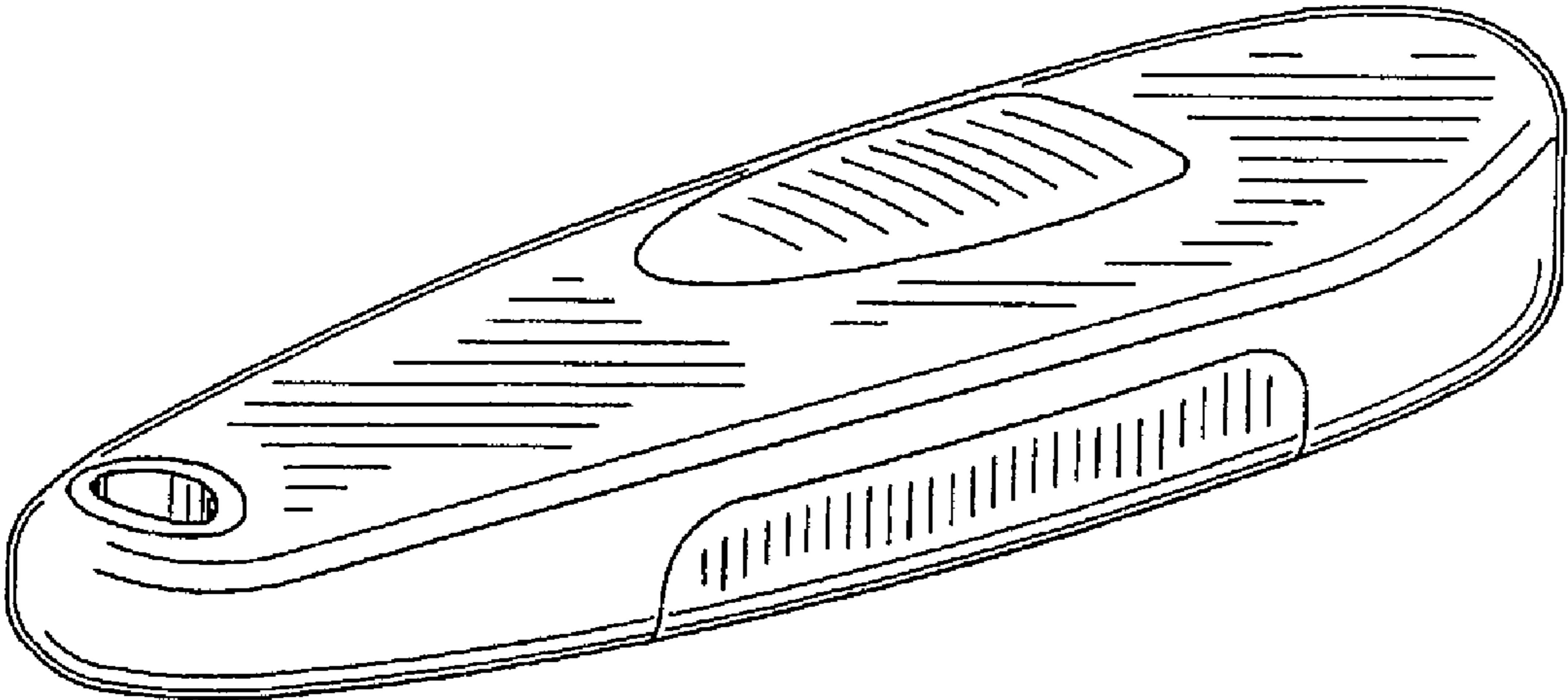


FIG. 7

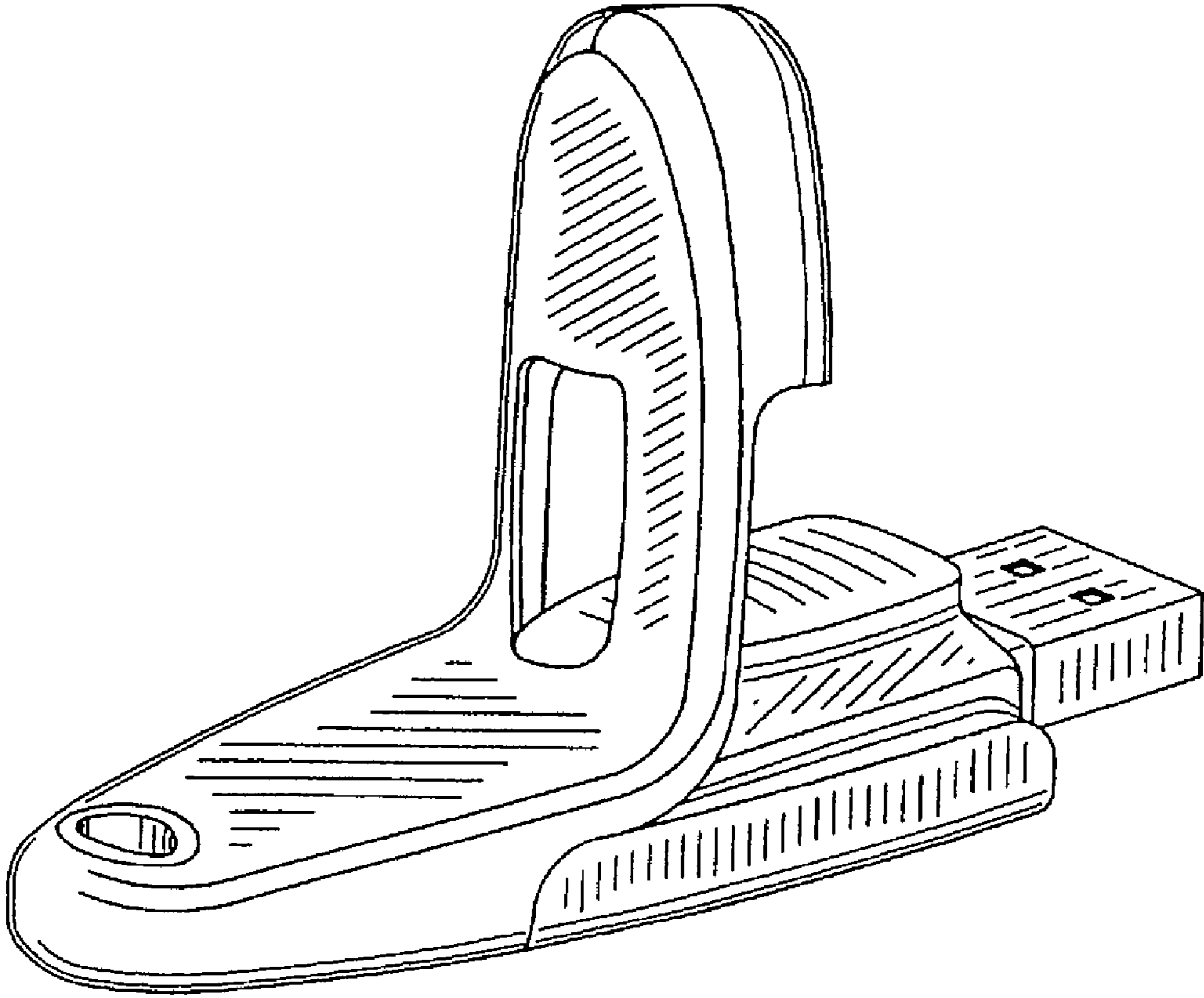


FIG. 8

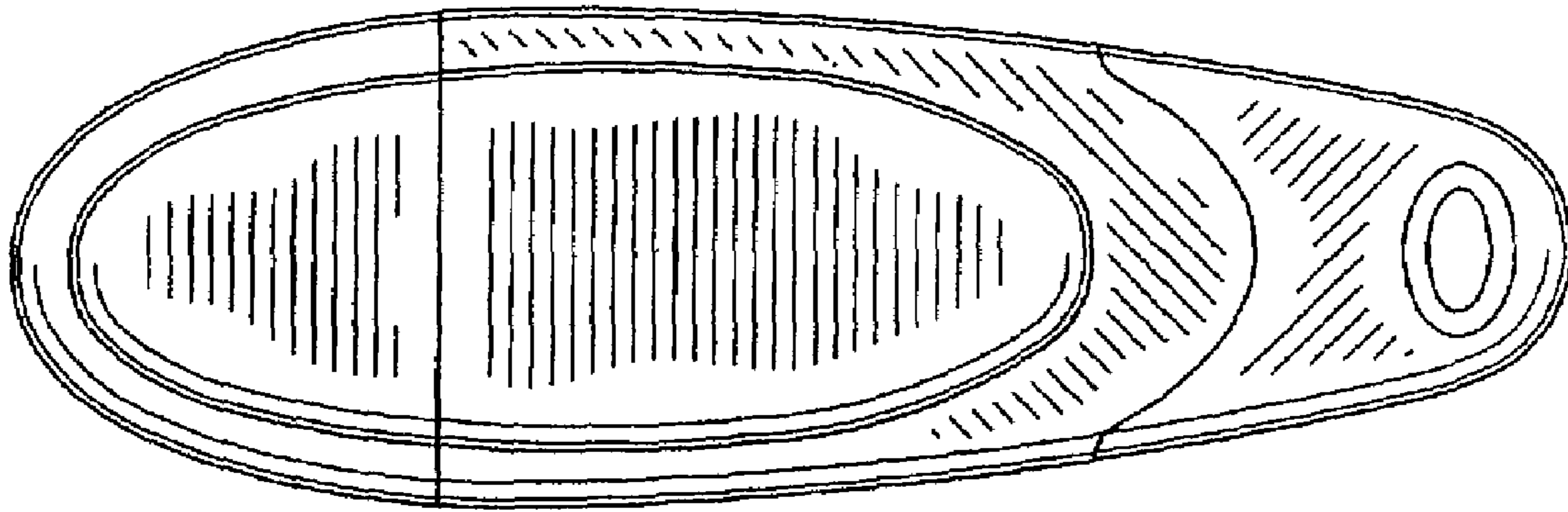


FIG. 9

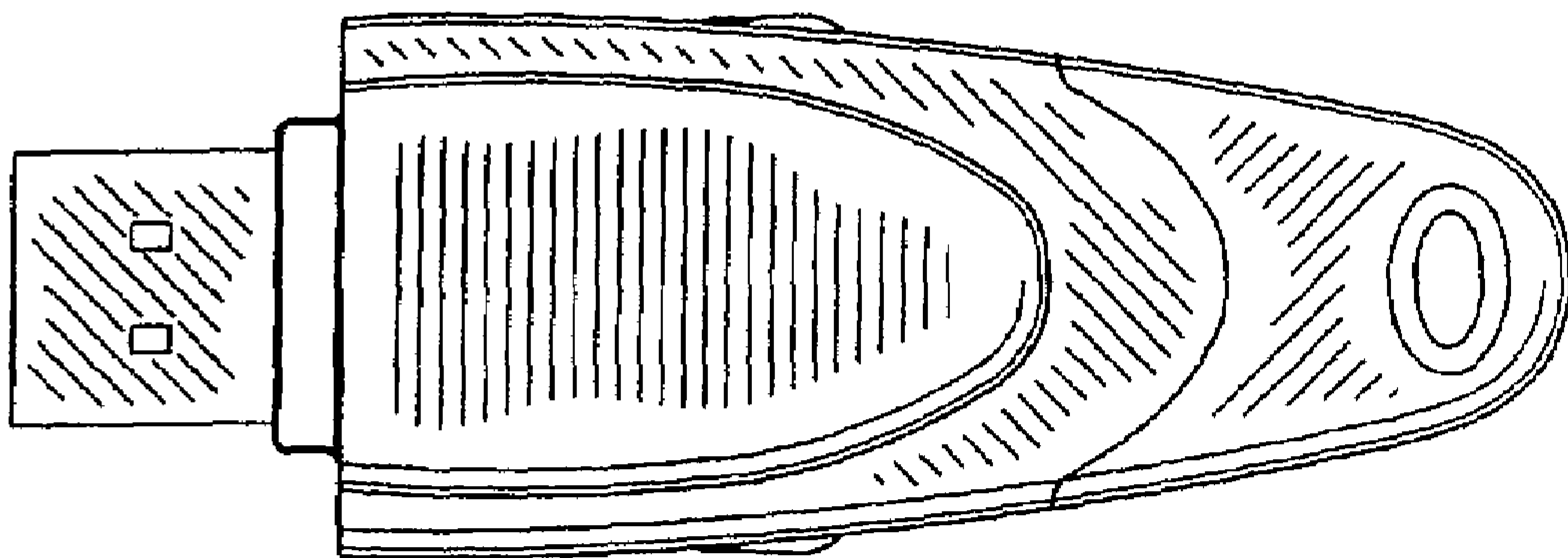


FIG. 10

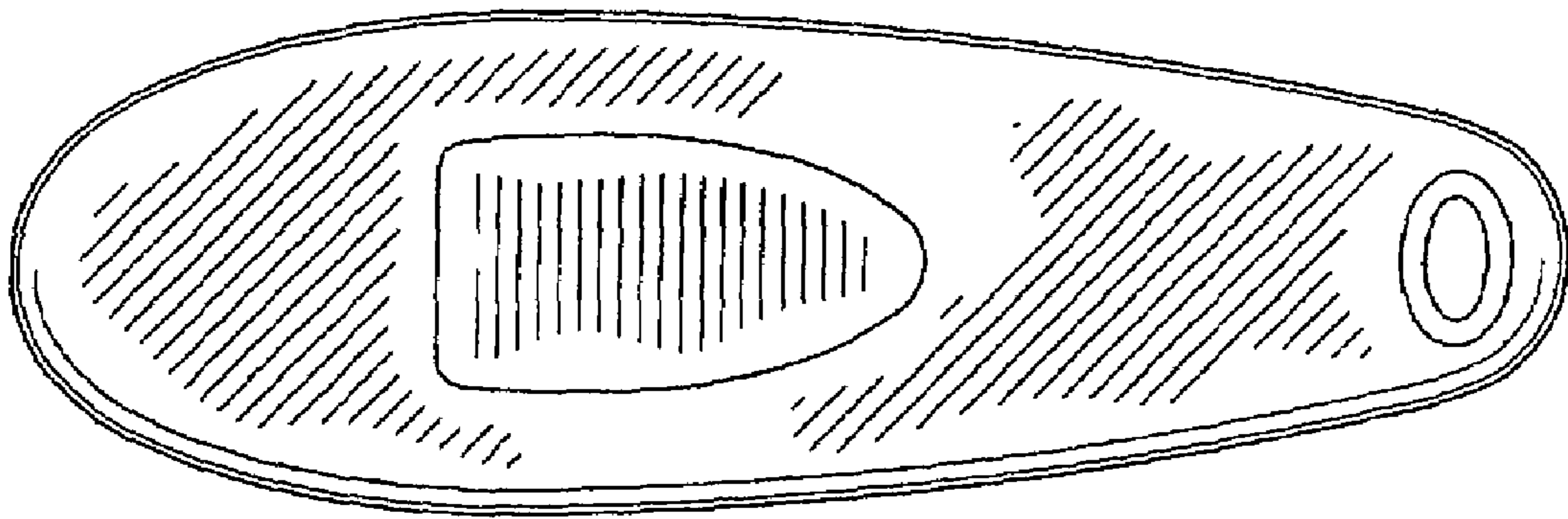


FIG. 11

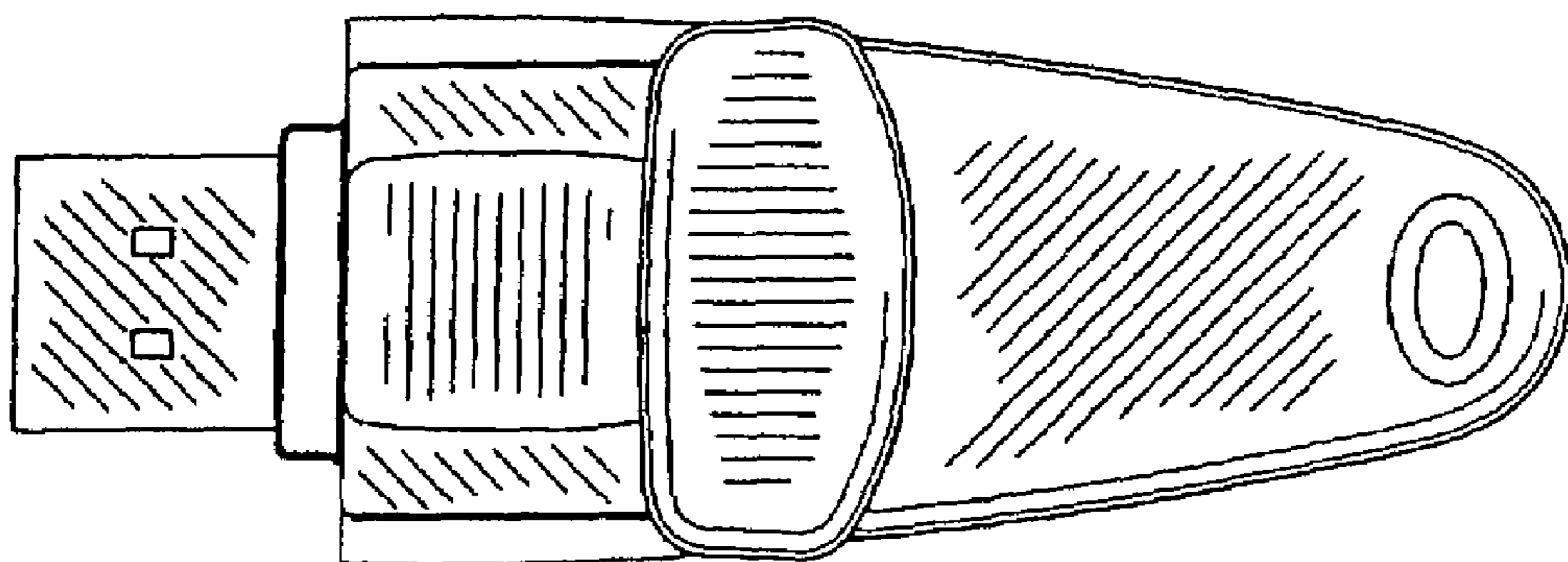


FIG. 12

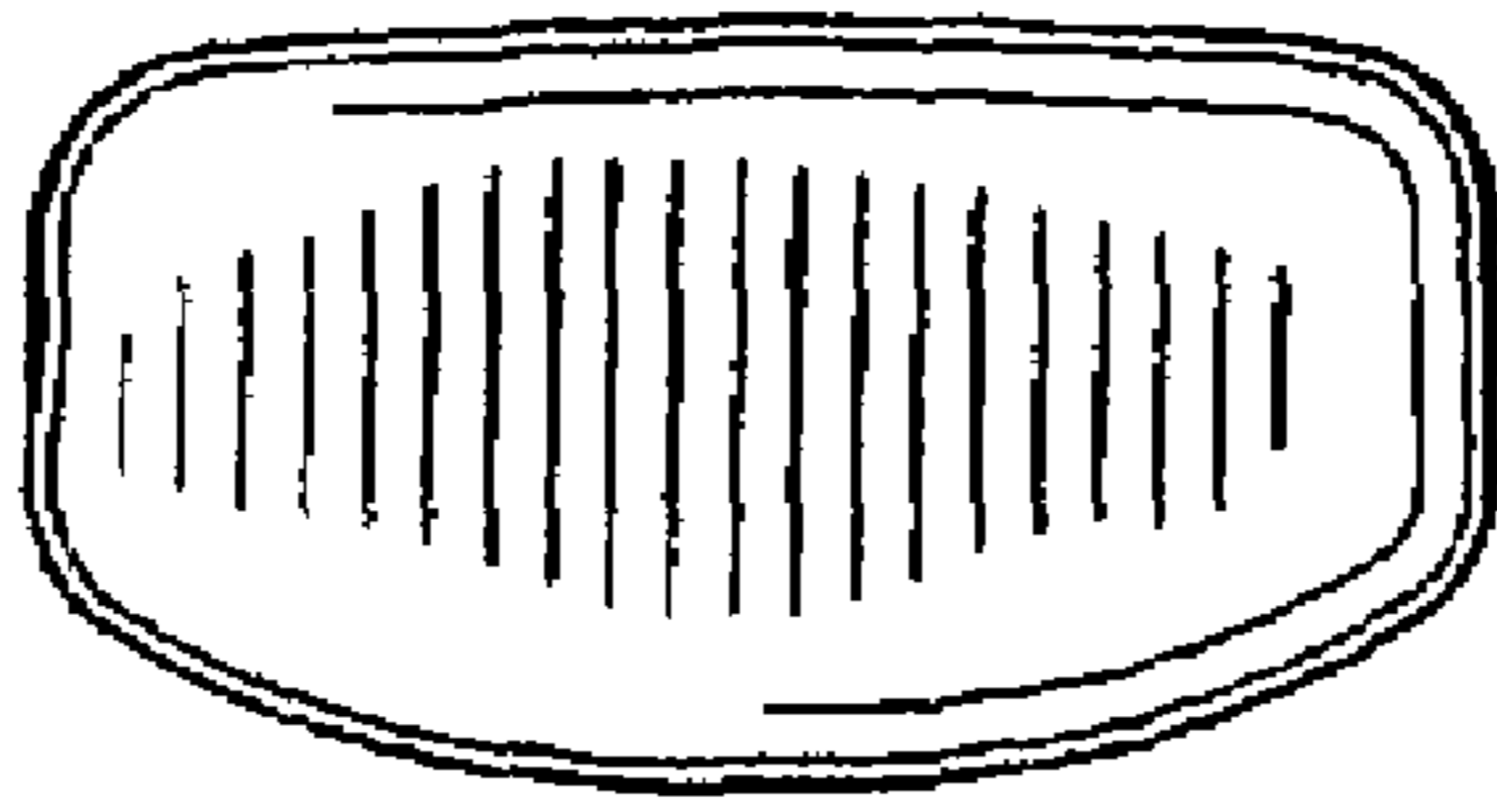


FIG. 13

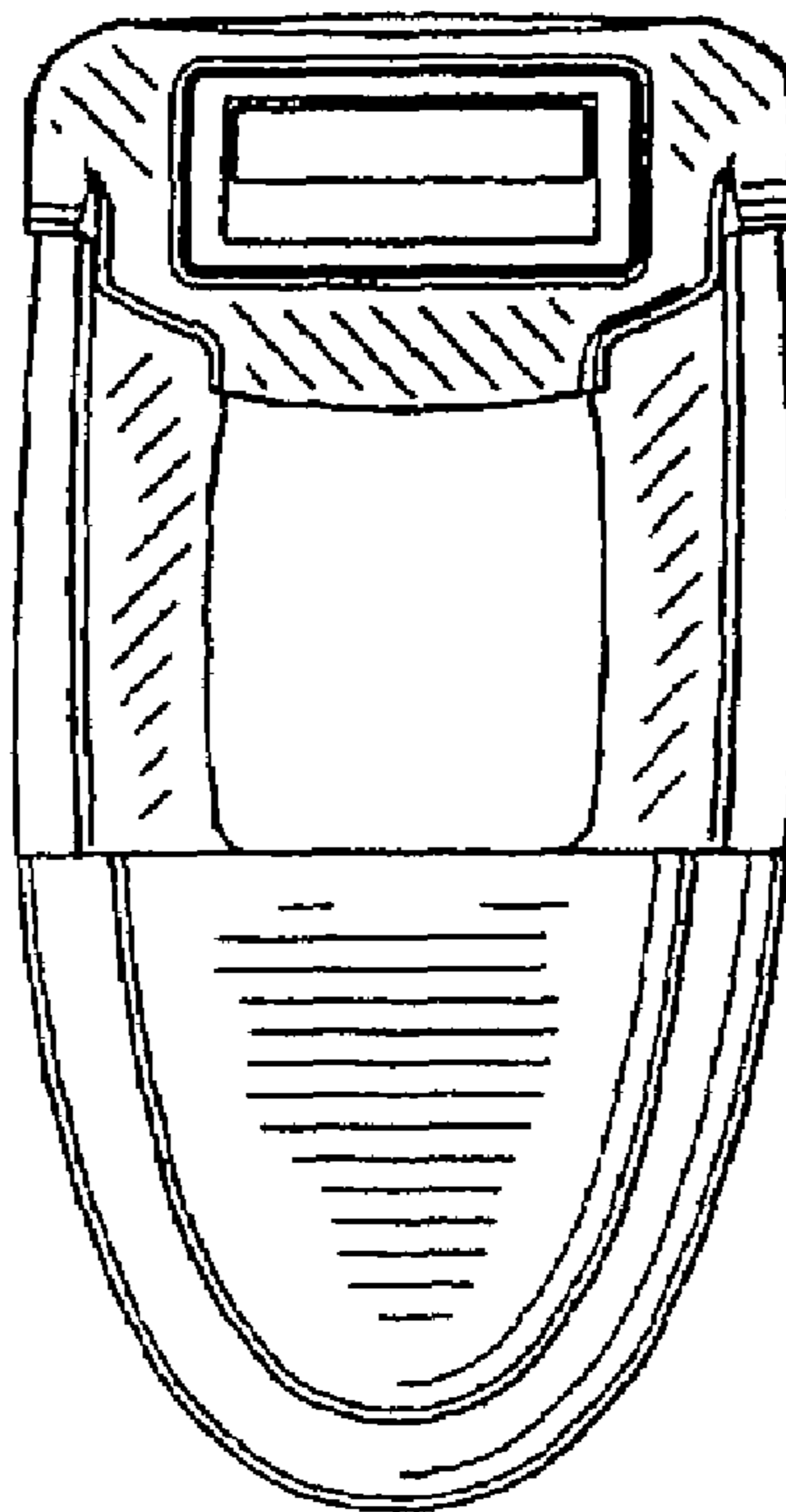


FIG. 14

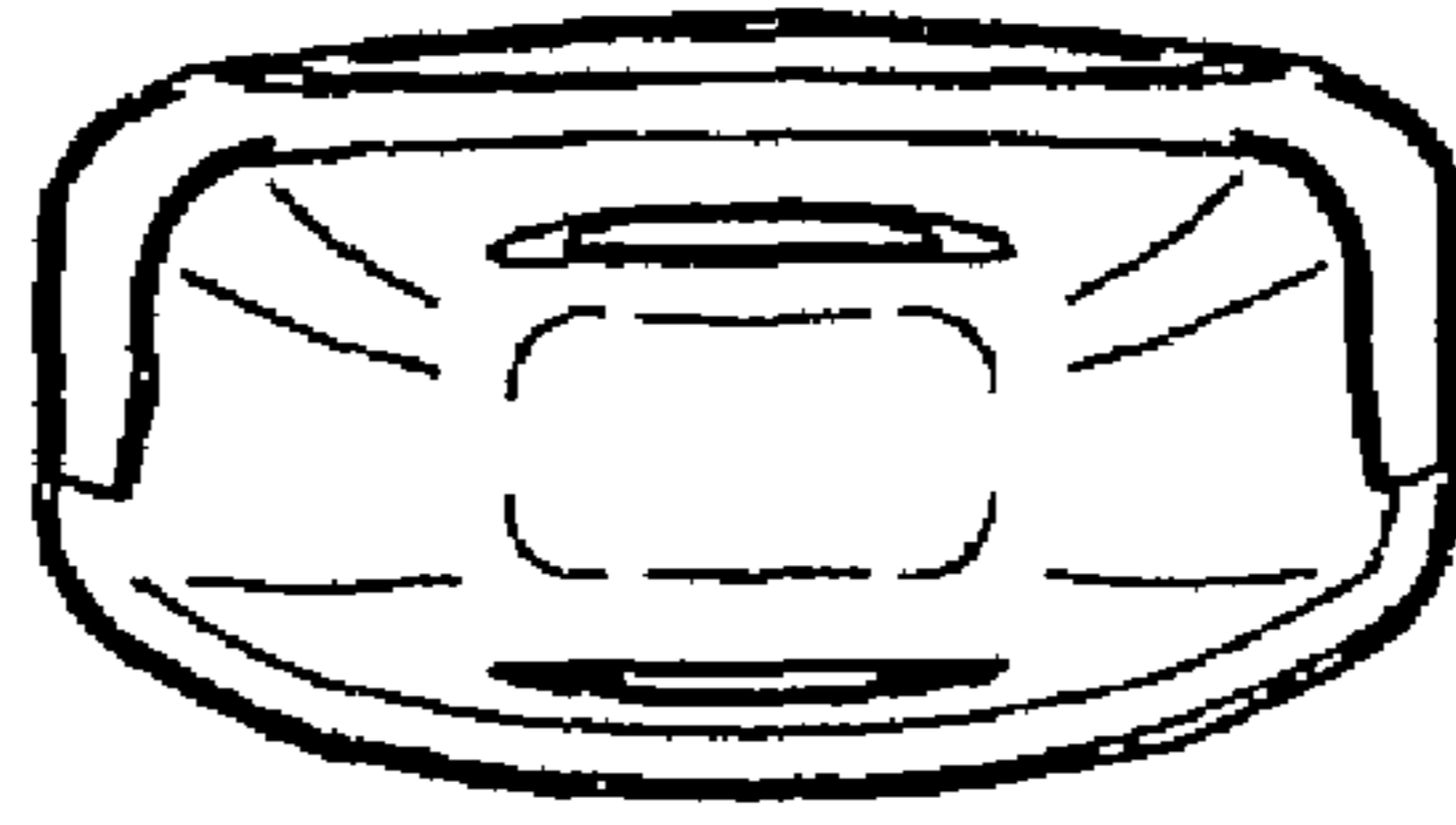


FIG. 15

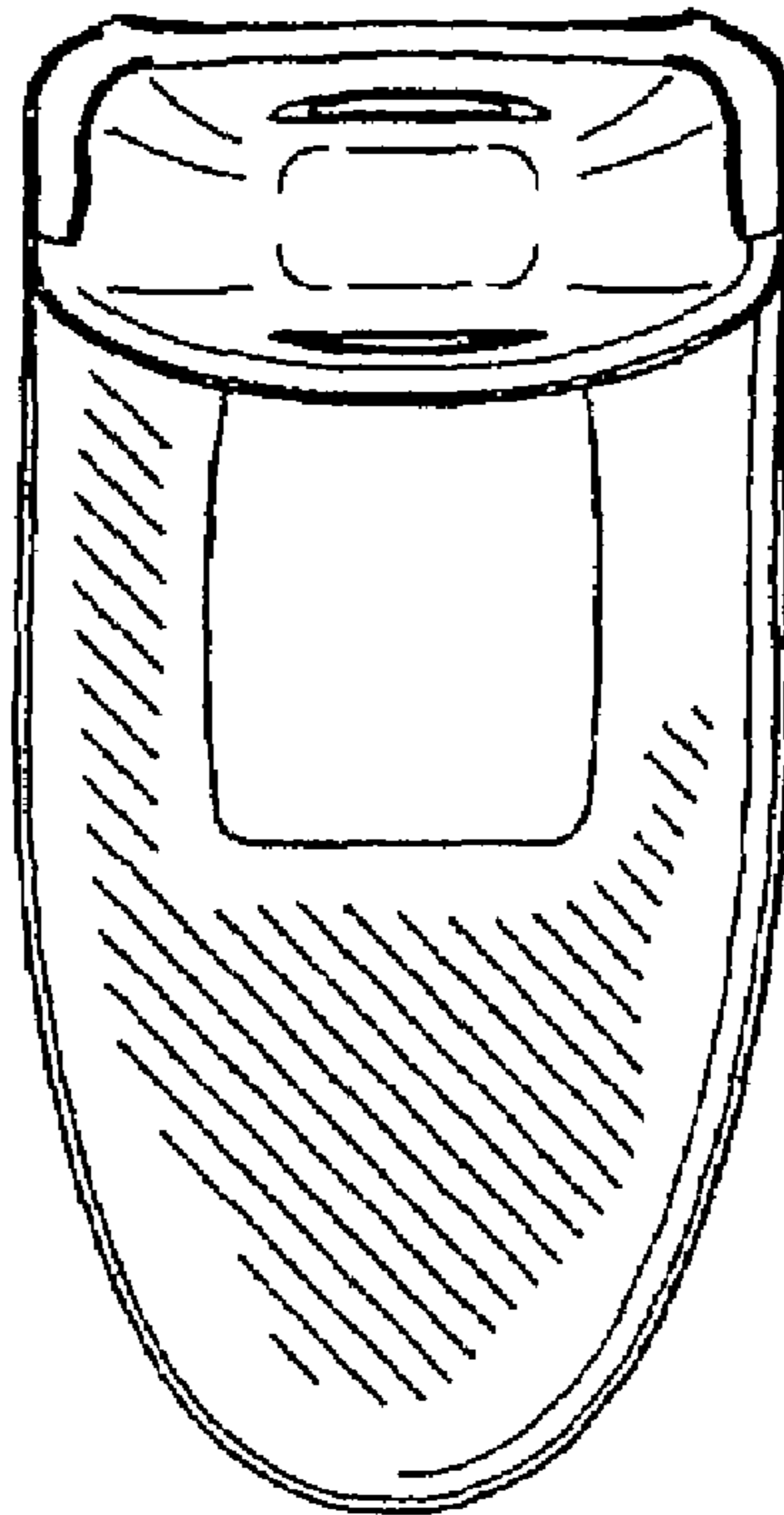


FIG. 16

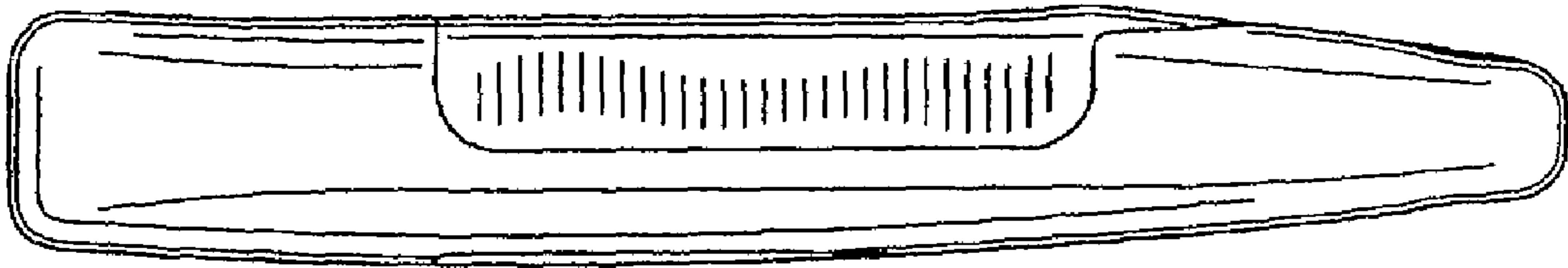


FIG. 17

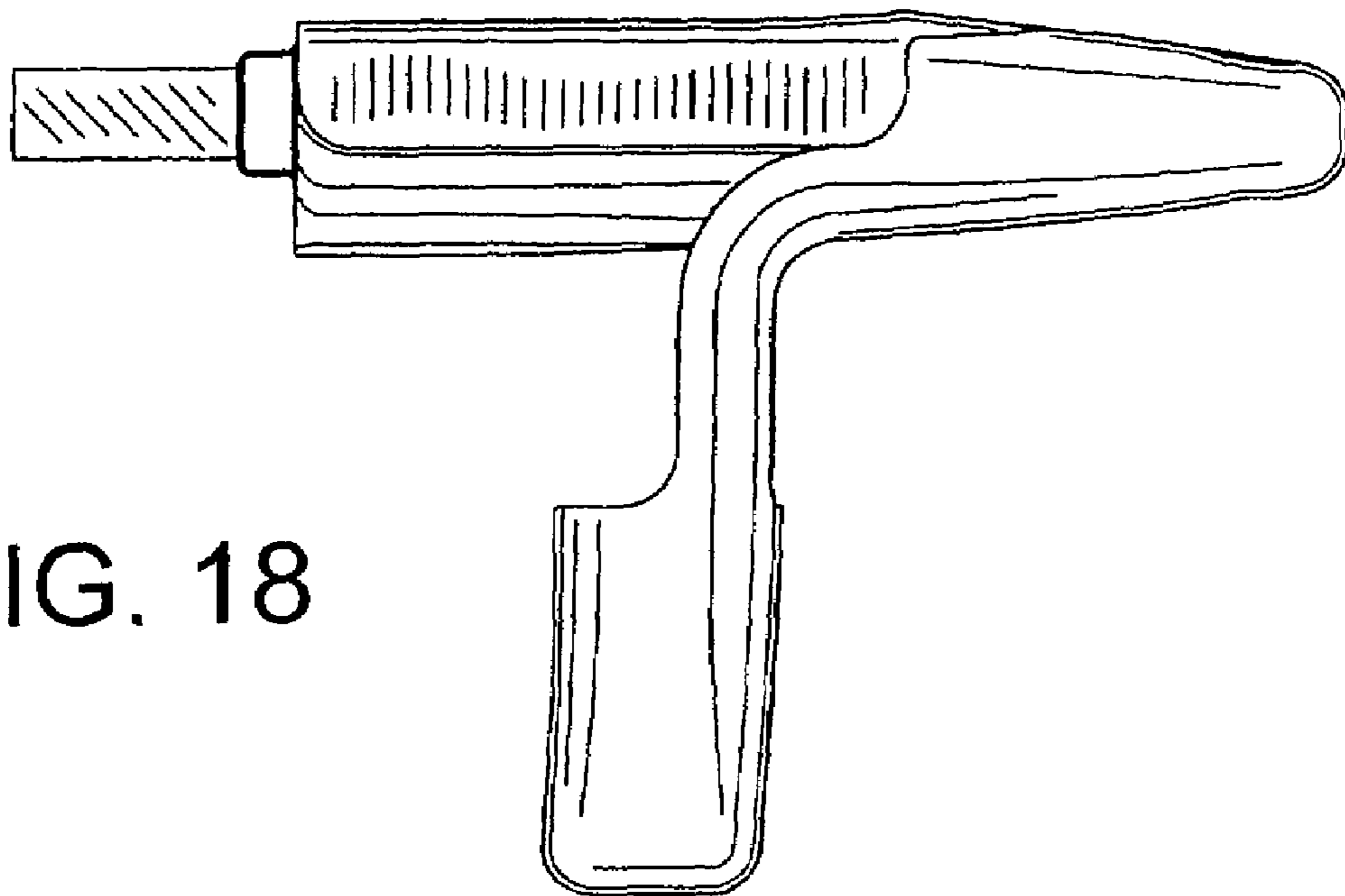


FIG. 18

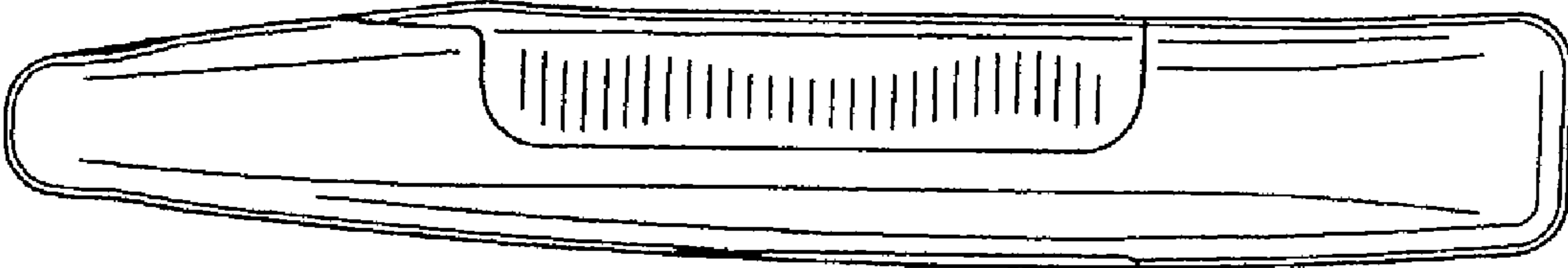


FIG. 19

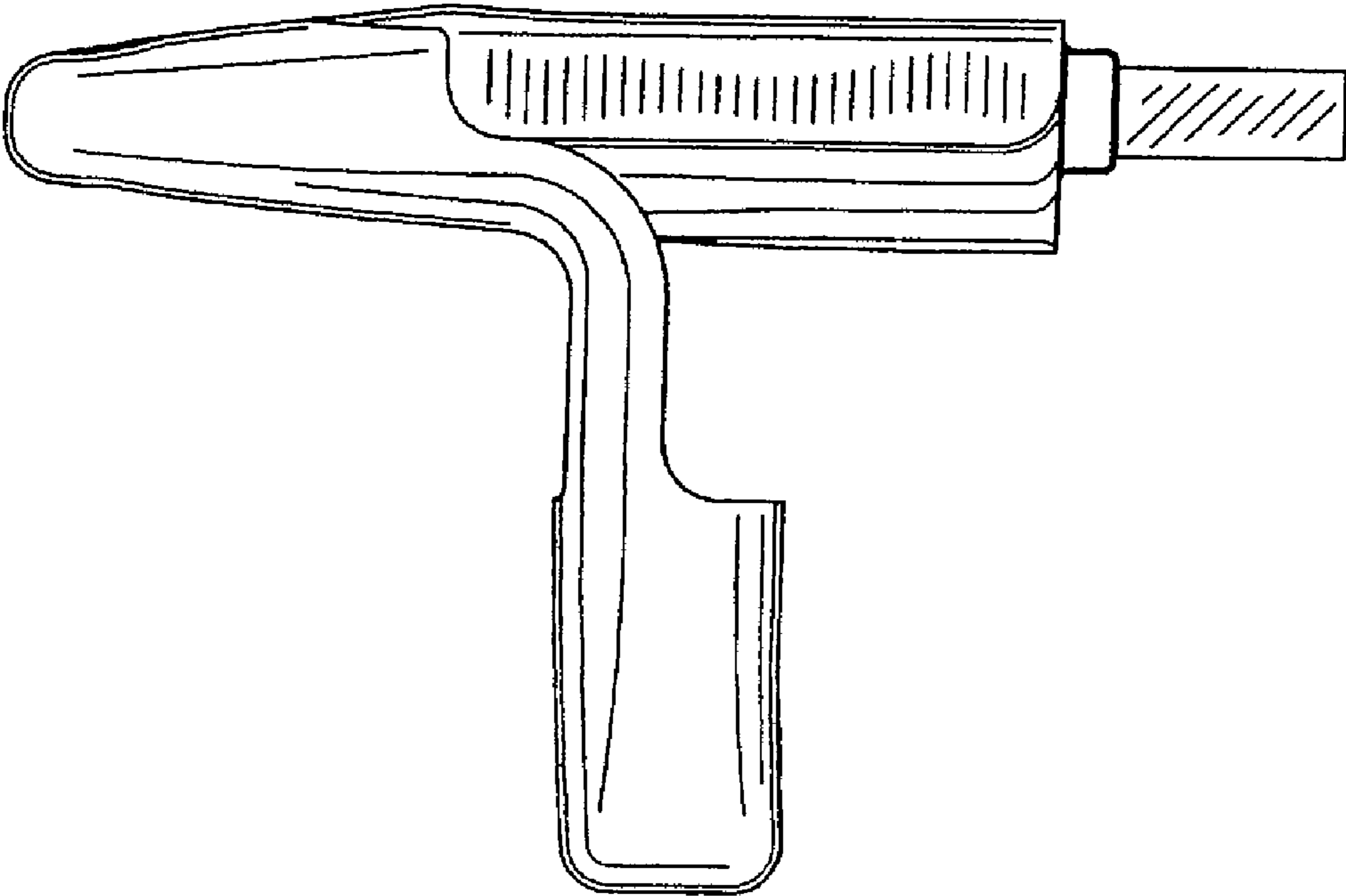


FIG. 20