



US00D602481S

(12) **United States Design Patent**
Wang et al.

(10) **Patent No.:** **US D602,481 S**
(45) **Date of Patent:** **** Oct. 20, 2009**

(54) **KEYBOARD FOR ELECTRONIC DEVICE**

(75) Inventors: **Ying-Zhuo Wang**, Shenzhen (CN);
Hsiao-Hua Tu, Taipei Hsien (TW);
Yan-Long Liu, Shenzhen (CN)

(73) Assignee: **FIH (Hong Kong) Limited**, Kowloon
(HK)

(**) Term: **14 Years**

(21) Appl. No.: **29/329,081**

(22) Filed: **Dec. 9, 2008**

(30) **Foreign Application Priority Data**

Oct. 29, 2008 (CN) 2008 3 0301781

(51) **LOC (9) Cl.** **14-03**

(52) **U.S. Cl.** **D14/247**

(58) **Field of Classification Search** D14/247–248,
D14/138 R, 138 AD, 138 AC, 138 C, 138 G,
D14/191, 203.1–203.8, 496, 144, 244, 432,
D14/439, 455, 456, 138 AA, 138 AB, 137,
D14/147, 218, 341–347; D10/65, 78, 104;
D13/168; D18/7; 455/566, 575.1, 575.3;
345/169

See application file for complete search history.

(56) **References Cited**

U.S. PATENT DOCUMENTS

D469,070 S * 1/2003 Lee D14/138 AB
D497,604 S * 10/2004 Lee D14/138 AB
D537,803 S * 3/2007 Lee et al. D14/138 AB
D541,249 S * 4/2007 Hirano D14/138 AC
D560,189 S * 1/2008 Kim et al. D14/138 AB
D567,788 S * 4/2008 Kim et al. D14/138 AD
D571,344 S * 6/2008 Kim et al. D14/138 AB
D572,224 S * 7/2008 Kim et al. D14/138 AB
D582,906 S * 12/2008 Chung D14/247

2002/0025837 A1* 2/2002 Levy 455/566
2004/0209645 A1* 10/2004 Park et al. 455/556.1
2007/0287515 A1* 12/2007 Fagrenius et al. 455/575.4
2009/0048006 A1* 2/2009 Liao et al. 455/575.3

OTHER PUBLICATIONS

Sony Ericsson W850, announced May 2006, [online], [retrieved on Jun. 5, 2009]. Retrieved from Internet, <URL: http://www.gsmarena.com>.*

BenQ-Siemens EF81, announced Jan. 2006, [online], [retrieved on Jun. 5, 2009]. Retrieved from Internet, <URL: http://www.gsmarena.com>.*

Samsung E870, announced 1st quarter 2006, [online], [retrieved on Jun. 5, 2009]. Retrieved from Internet, <URL: http://www.gsmarena.com>.*

* cited by examiner

Primary Examiner—Jeffrey D Asch

Assistant Examiner—Bridget L Eland

(74) *Attorney, Agent, or Firm*—Steven M. Reiss

(57) **CLAIM**

The ornamental design for a keyboard for electronic device, as shown and described.

DESCRIPTION

FIG. 1 is a perspective view of a keyboard for electronic device showing the design;

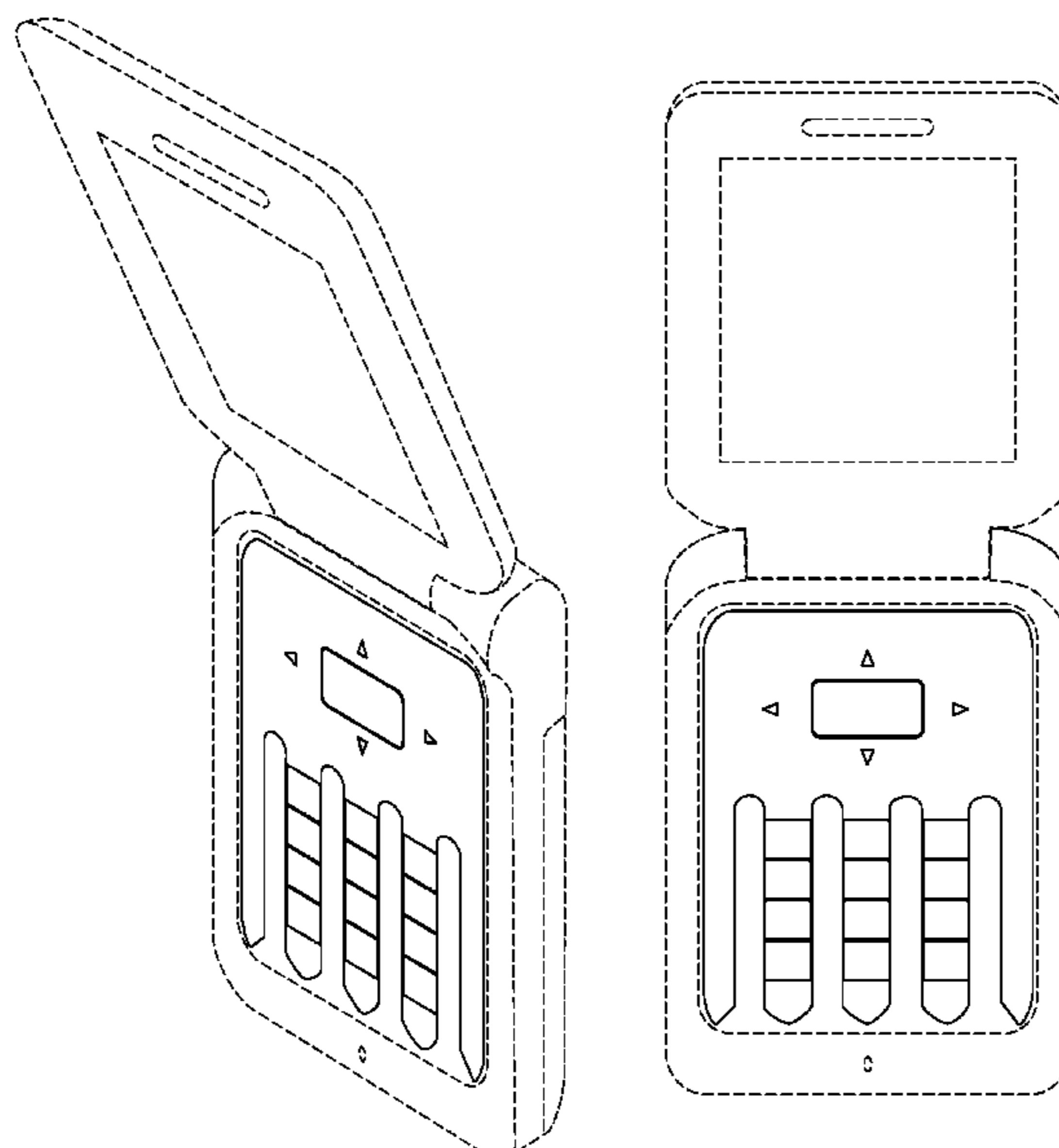
FIG. 2 is a front elevational view thereof;

FIG. 3 is a left side elevational view thereof; and,

FIG. 4 is a right side elevational view thereof.

The keypad design consists of the outermost solid line boundary and everything within. The broken line showing of the remainder of the handset is directed to environment and is for illustrative purposes only; the broken lines form no part of the claimed design.

1 Claim, 4 Drawing Sheets



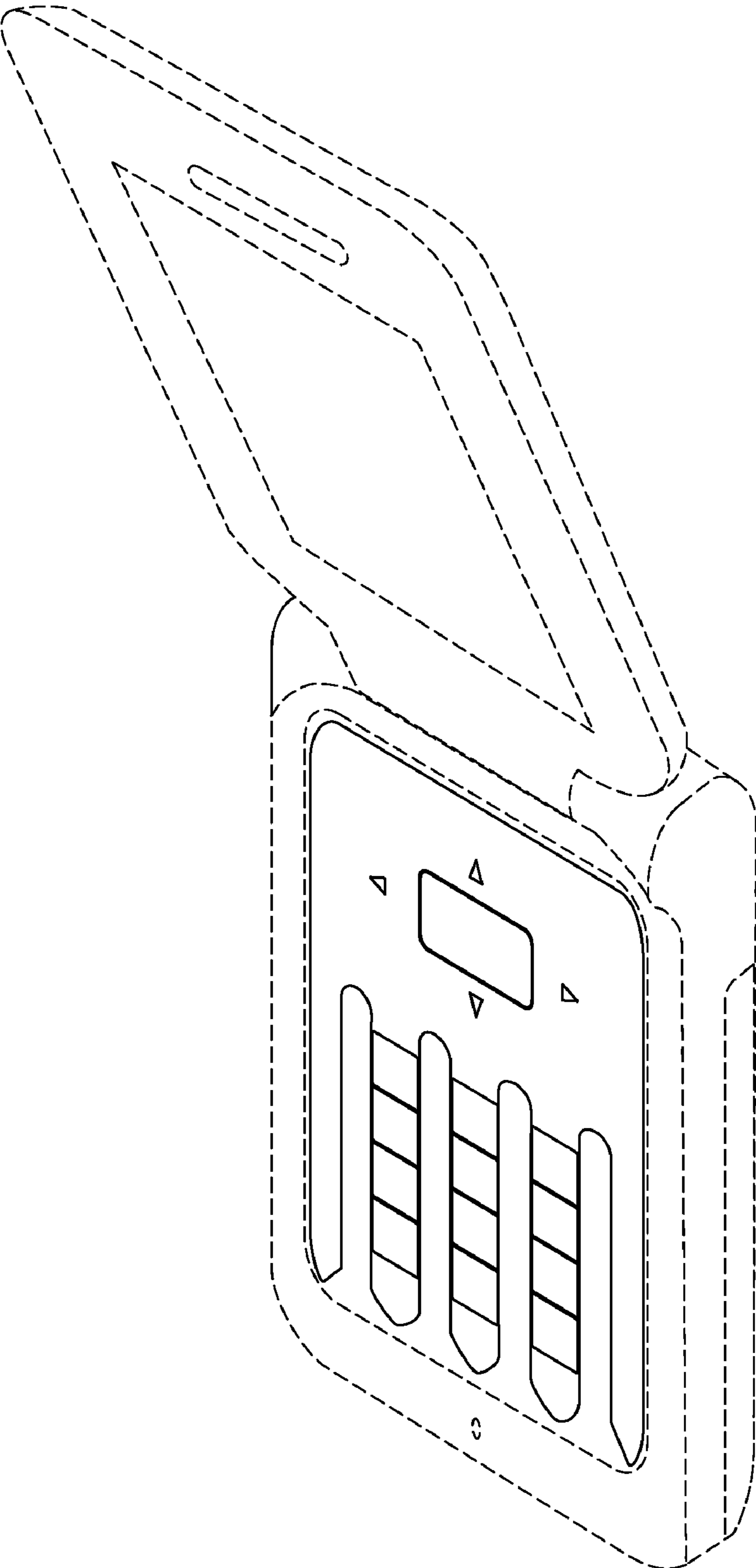


FIG. 1

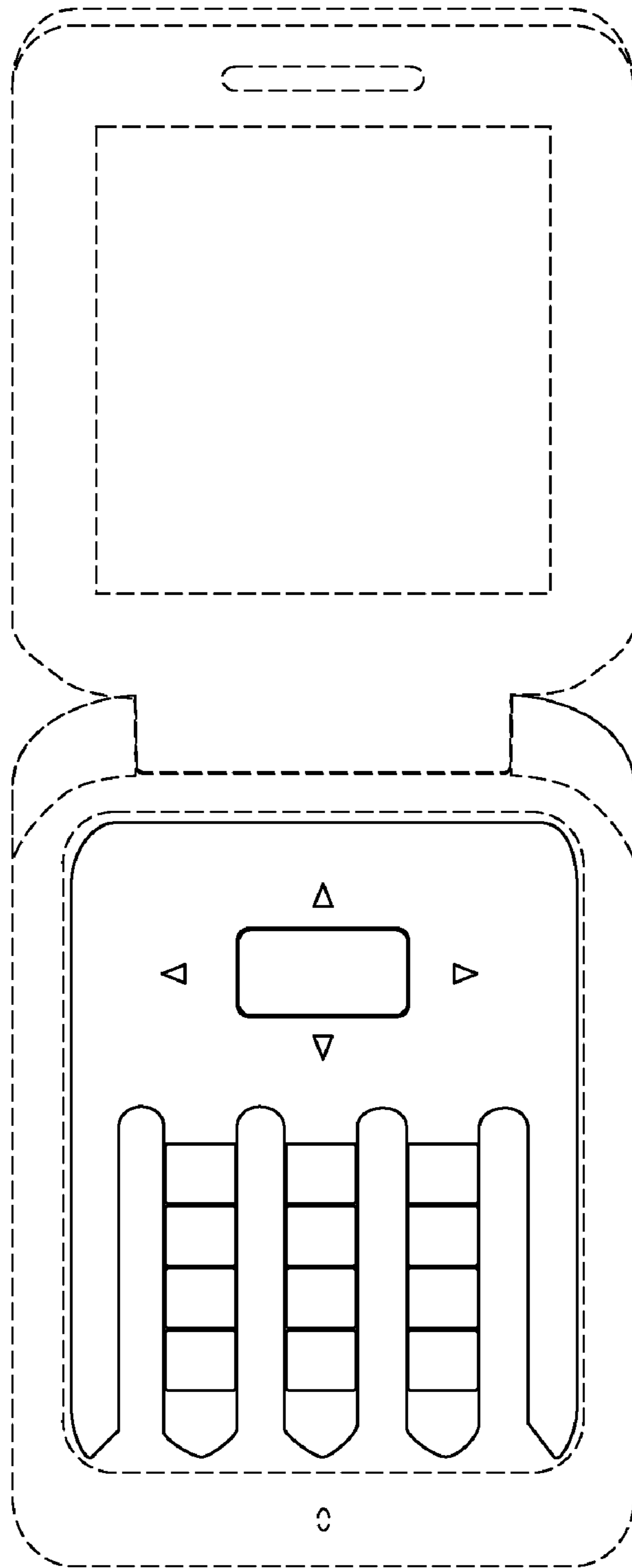


FIG. 2

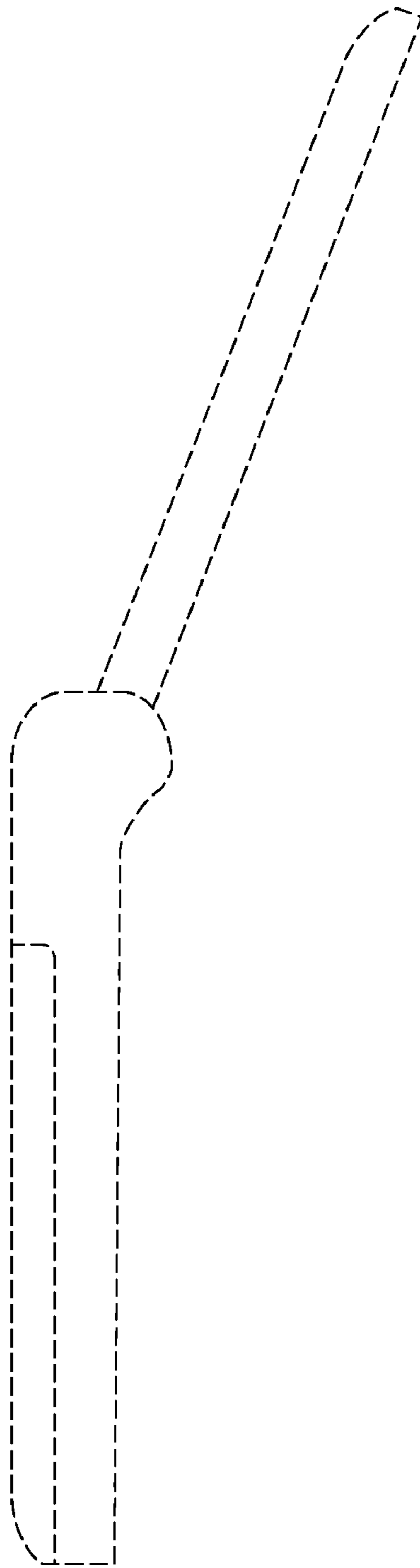


FIG. 3

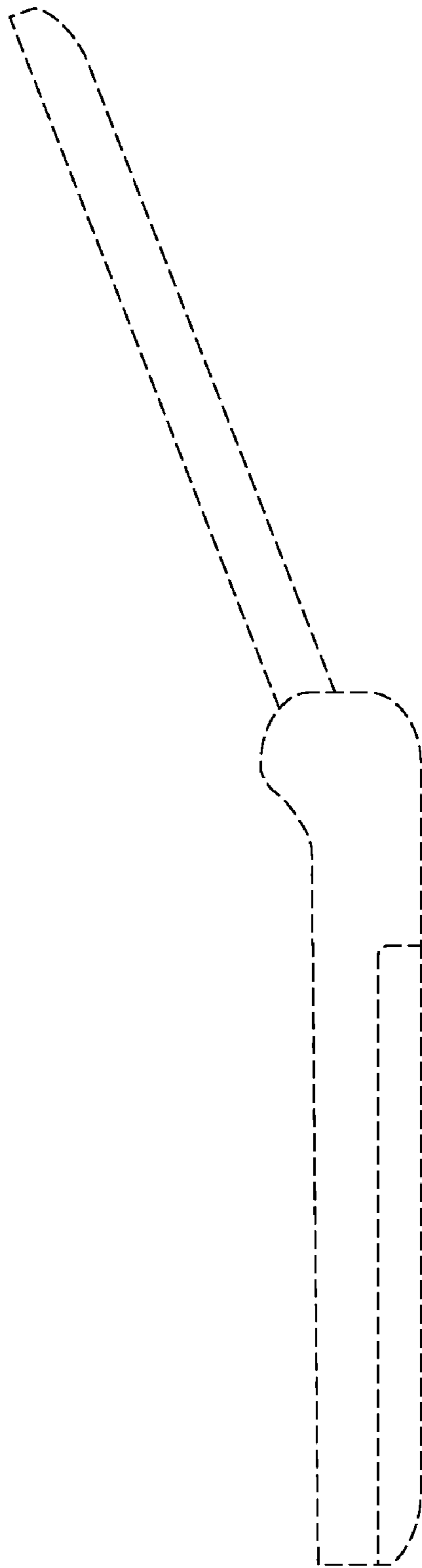


FIG. 4