



US00D602475S

(12) **United States Design Patent**
Martin

(10) **Patent No.:** **US D602,475 S**

(45) **Date of Patent:** **** Oct. 20, 2009**

(54) **HEADSET EARPHONE ASSEMBLY**

(76) Inventor: **Michael Joseph Martin**, 601 S. Main St., #PH 101, Los Angeles, CA (US) 90014

(**) Term: **14 Years**

(21) Appl. No.: **29/327,230**

(22) Filed: **Nov. 1, 2008**

(51) **LOC (9) Cl.** **14-01**

(52) **U.S. Cl.** **D14/223**

(58) **Field of Classification Search** D14/205, D14/206, 223; 379/430, 433.01; 181/129, 181/130, 135; 381/370, 371, 380, 381; D24/174; D23/209

See application file for complete search history.

(56) **References Cited**

U.S. PATENT DOCUMENTS

3,934,100	A *	1/1976	Harada	181/135
D355,702	S *	2/1995	Johnson	D23/209
D430,060	S *	8/2000	Kavalek	D11/90
D519,109	S *	4/2006	Perszyk et al.	D14/223

D550,657	S *	9/2007	Gan et al.	D14/223
D556,326	S *	11/2007	Espersen	D24/174
D589,151	S *	3/2009	Sabio	D24/174

* cited by examiner

Primary Examiner—Paula Greene

(74) *Attorney, Agent, or Firm*—Edwin Tarver; Lauson & Tarver LLP

(57) **CLAIM**

The ornamental design for a headset earphone assembly, as shown and described.

DESCRIPTION

FIG. 1 is a perspective view of a headset earphone assembly showing my new design.

FIG. 2 is a left side elevational view thereof;

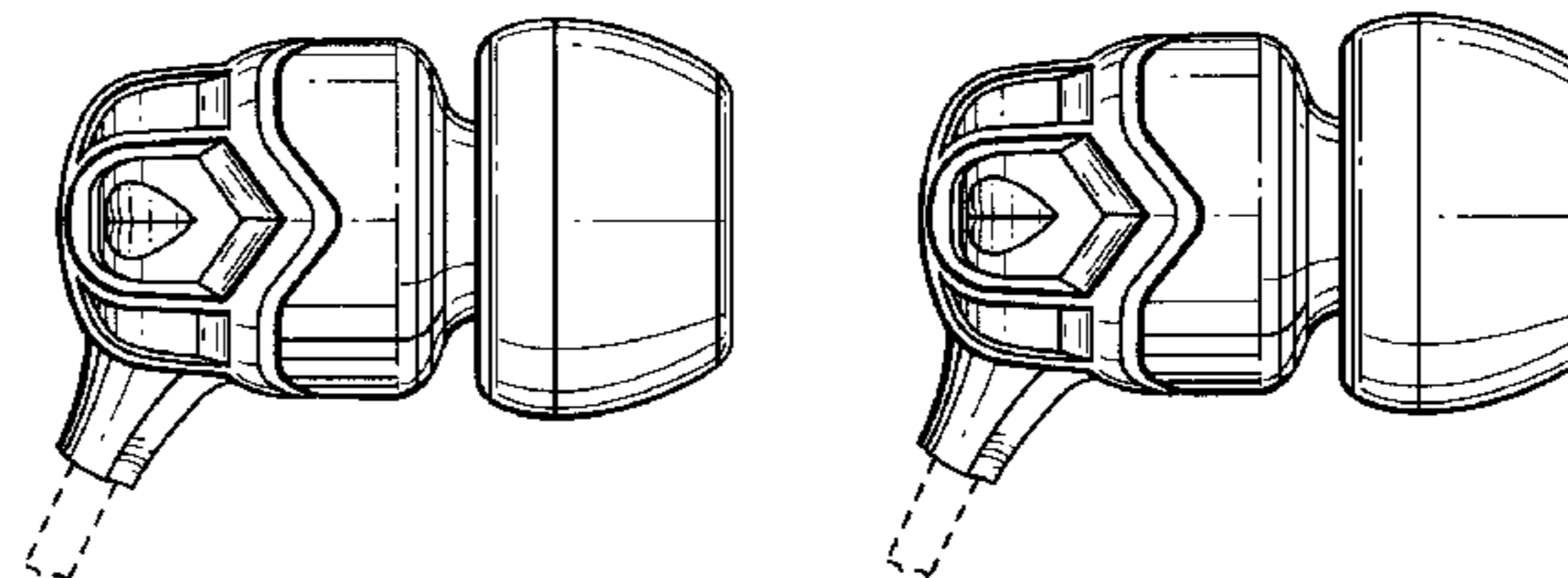
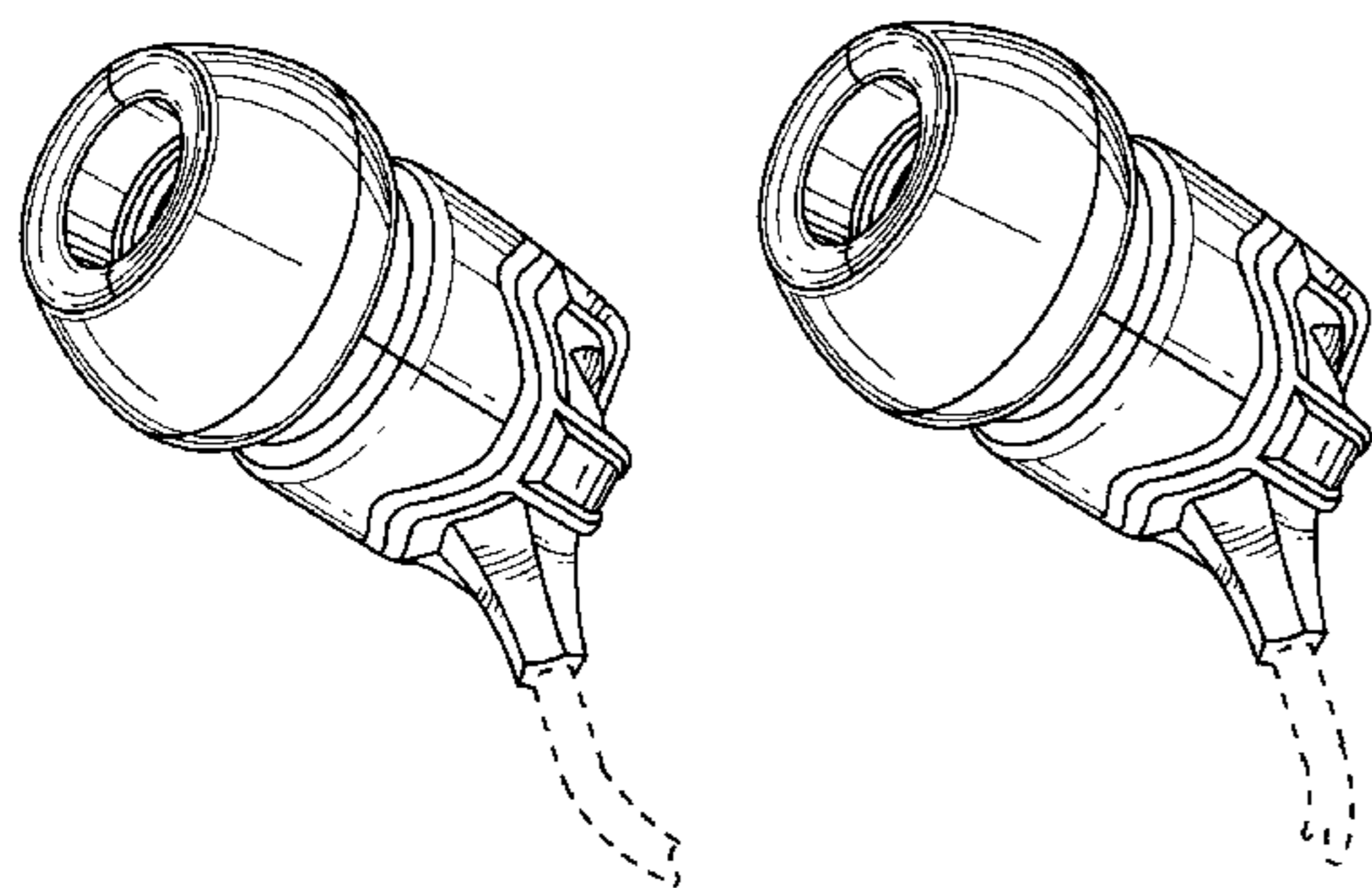
FIG. 3 is a right side elevational view thereof;

FIG. 4 is a rear elevational view thereof; and,

FIG. 5 is a front elevational view thereof.

All parts of the figures shown in dashed line are not part of the claimed design.

1 Claim, 2 Drawing Sheets



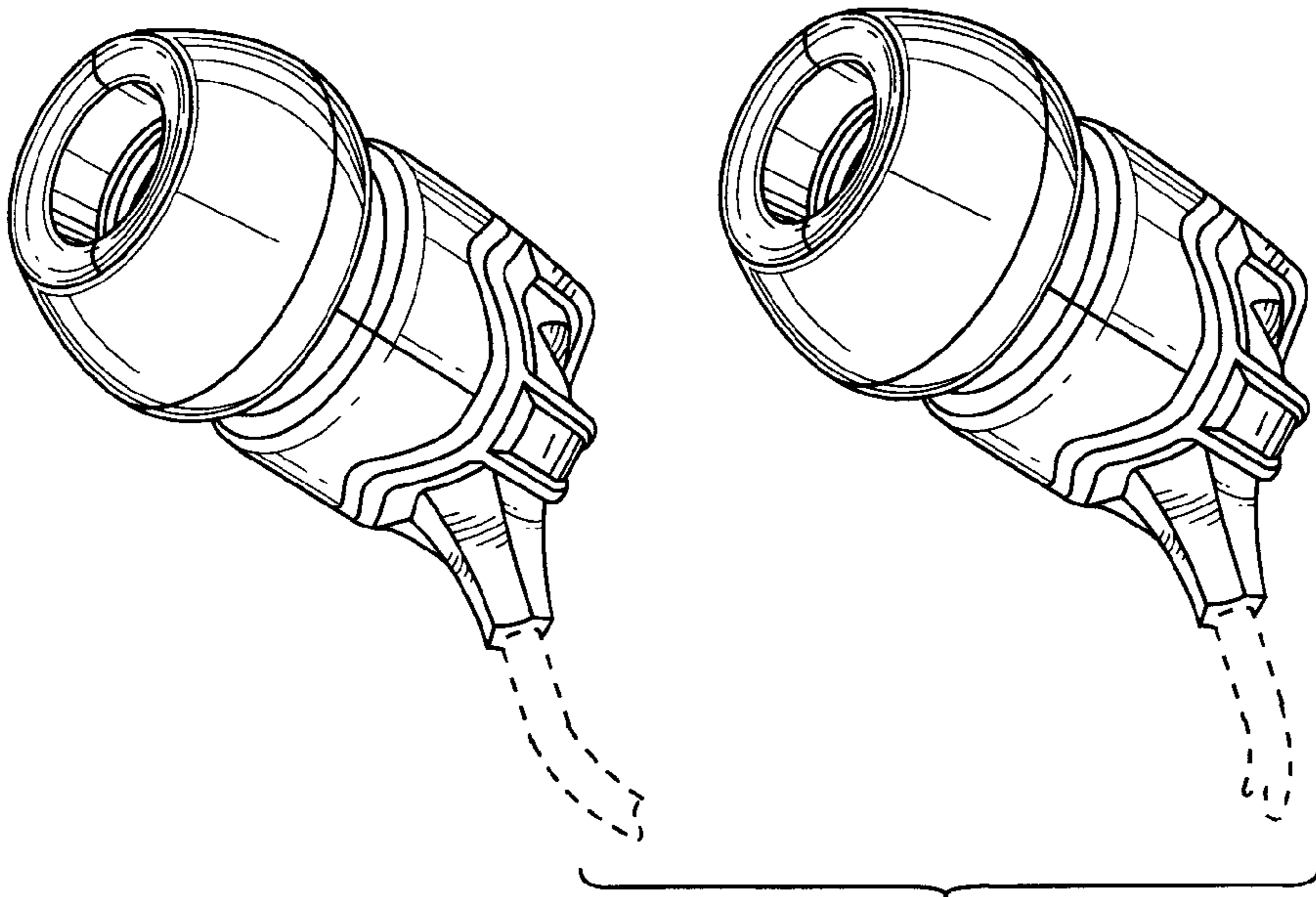


Fig. 1

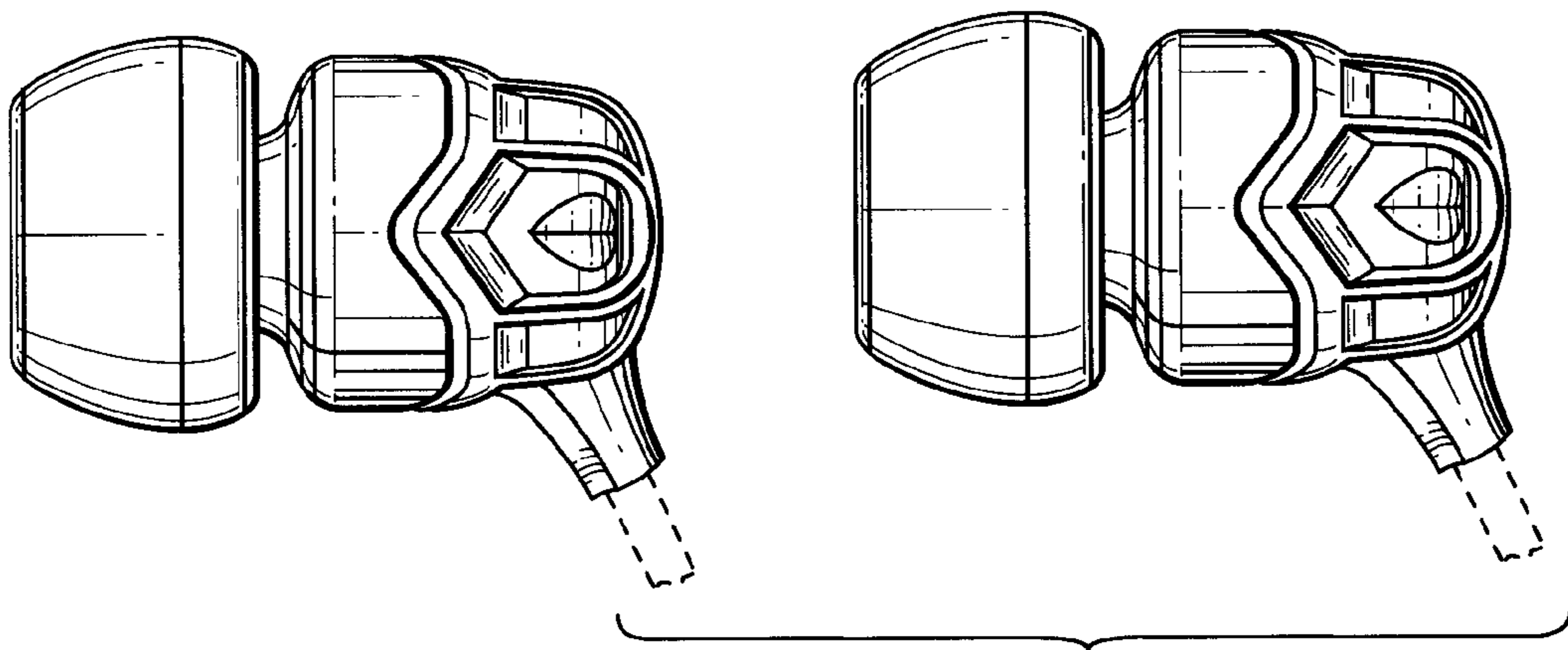


Fig. 2

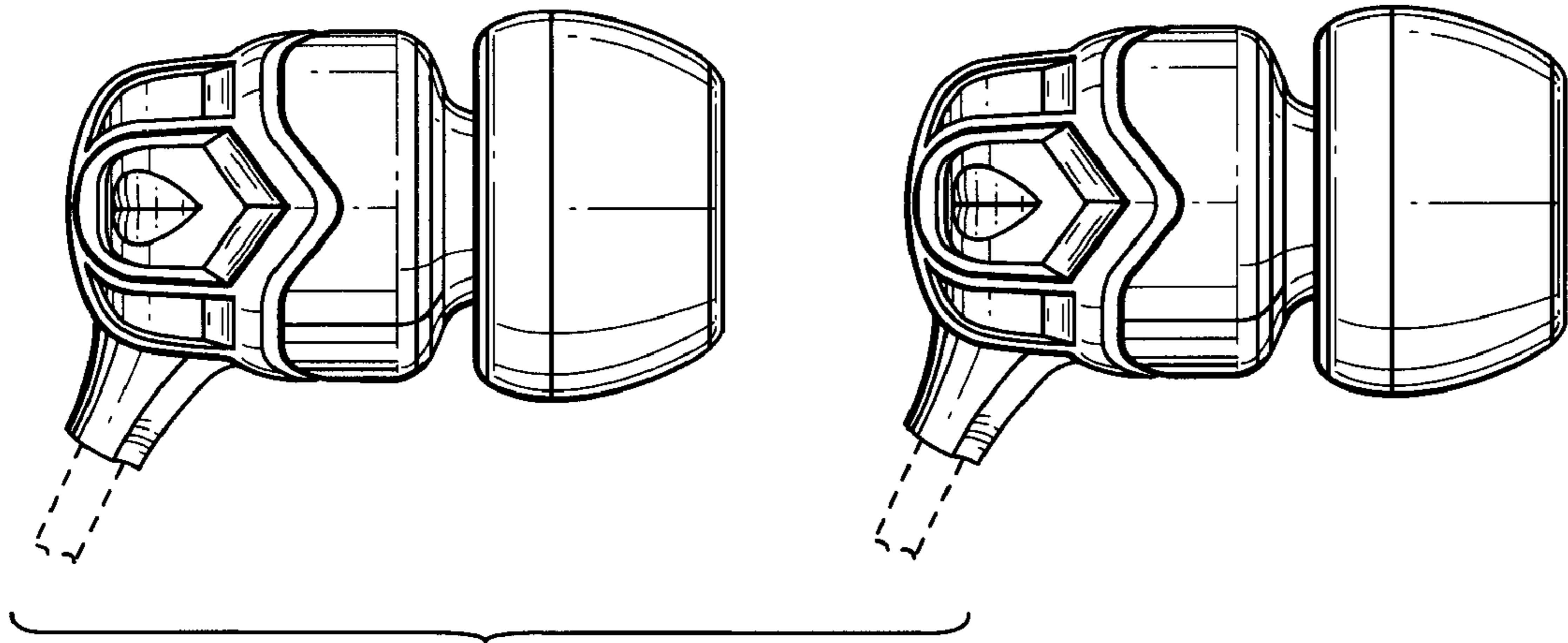


Fig. 3

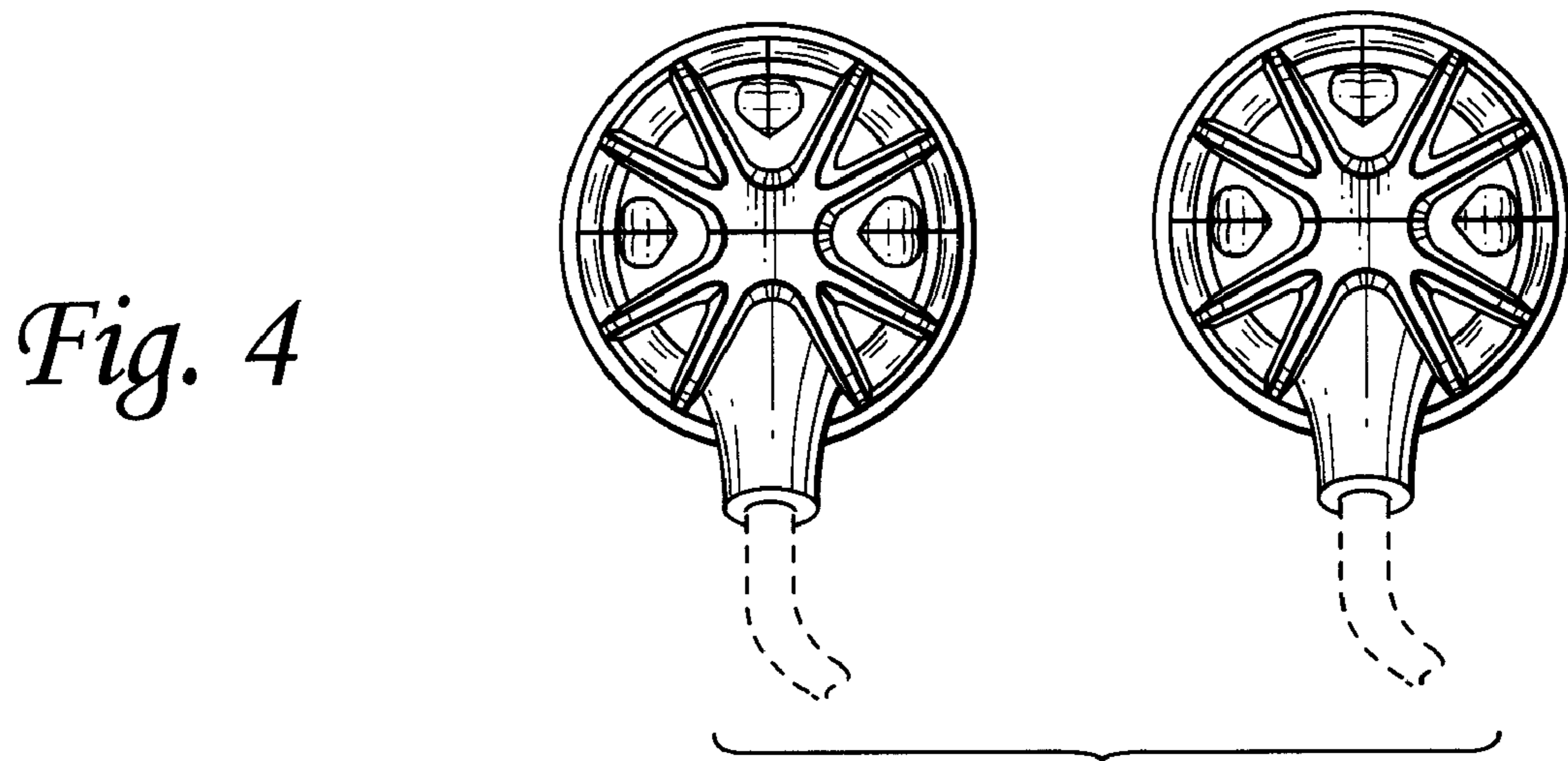


Fig. 4

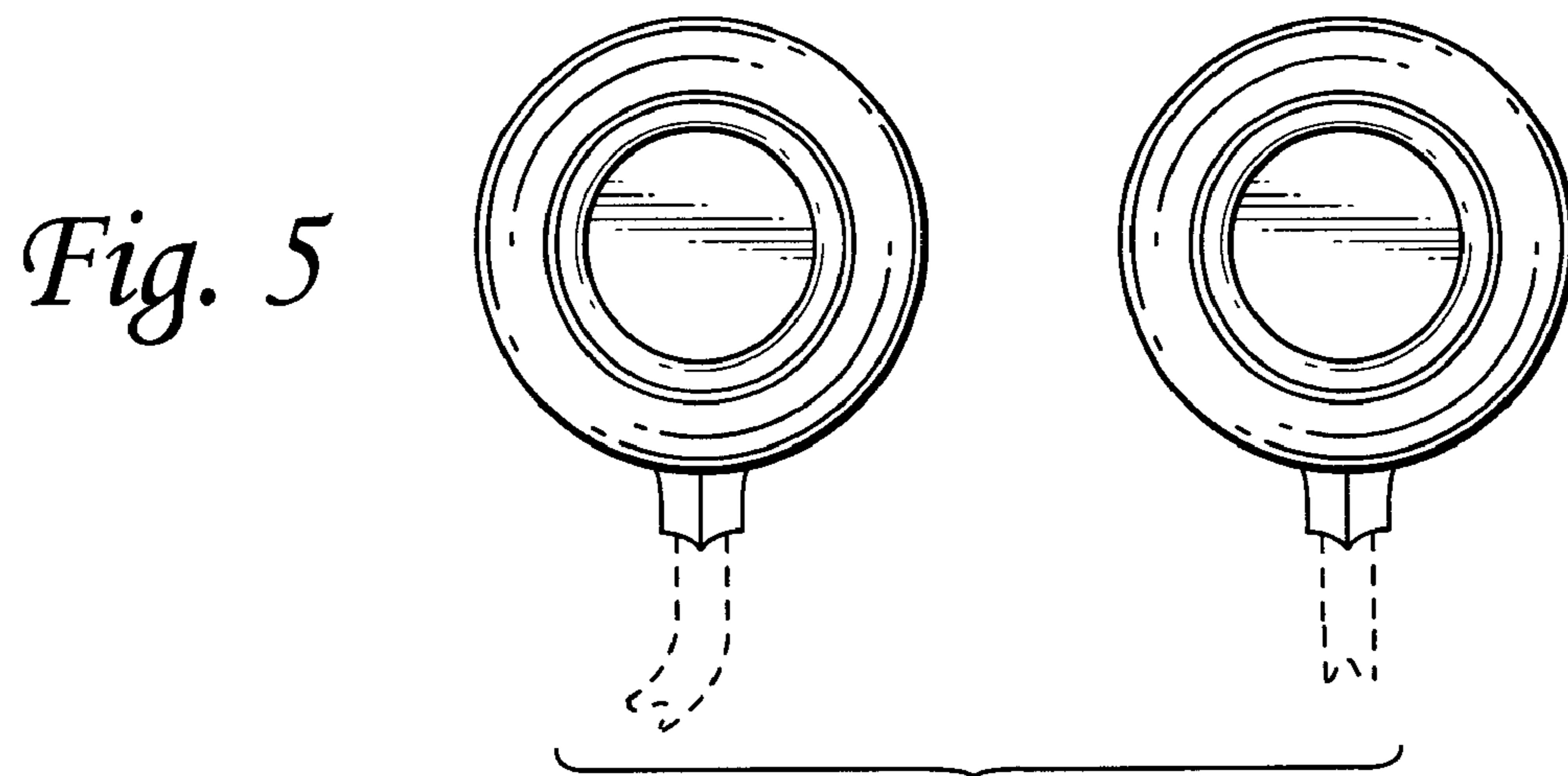


Fig. 5