



US00D602474S

(12) **United States Design Patent**
Hansen et al.

(10) **Patent No.:** **US D602,474 S**
(45) **Date of Patent:** **** Oct. 20, 2009**

(54) **REMOTE CONTROLLER**

(75) Inventors: **Eskild Timme Hansen**, Copenhagen OE (DK); **Jonathon Timothy Lister**, East Yorkshire (GB); **Nicola Girotti**, Copenhagen (DK)

(73) Assignee: **Cisco Technology, Inc.**, San Jose, CA (US)

(**) Term: **14 Years**

(21) Appl. No.: **29/330,459**

(22) Filed: **Jan. 7, 2009**

(51) **LOC (9) Cl.** **14-03**

(52) **U.S. Cl.** **D14/218**

(58) **Field of Classification Search** D14/218, D14/455; D13/168; D21/566; D10/104, D10/106; 345/169; 348/14.05, 114, 211.99, 348/734; 340/825.24; 341/22; 455/92, 95, 455/128, 151.1–151.4, 352, 355, FOR. 121; 700/65

See application file for complete search history.

(56) **References Cited**

U.S. PATENT DOCUMENTS

D420,668 S * 2/2000 Choi D14/218
D465,213 S * 11/2002 Baumert et al. D14/218
D481,685 S * 11/2003 Legzdins D13/168
D481,686 S * 11/2003 Legzdins D13/168

D511,750 S * 11/2005 Badarello D13/168
D534,900 S * 1/2007 Weitgasser et al. D14/218
D542,281 S * 5/2007 Mabry et al. D14/218
D546,807 S * 7/2007 Lee D14/138 AA
D550,168 S * 9/2007 Chang D13/168
D552,086 S * 10/2007 Johnson et al. D14/217
D552,601 S * 10/2007 Oota D14/218
D559,231 S * 1/2008 Krzyzanowski et al. D14/218
D585,052 S * 1/2009 Mamane et al. D14/218
D586,790 S * 2/2009 Frazer D14/218

* cited by examiner

Primary Examiner—T. Chase Nelson

Assistant Examiner—John Windmuller

(74) *Attorney, Agent, or Firm*—Haynes and Boone, LLP.

(57) **CLAIM**

The ornamental design for a remote controller, as shown and described.

DESCRIPTION

FIG. 1 is a top perspective view showing our new remote controller design;

FIG. 2 is a top view thereof;

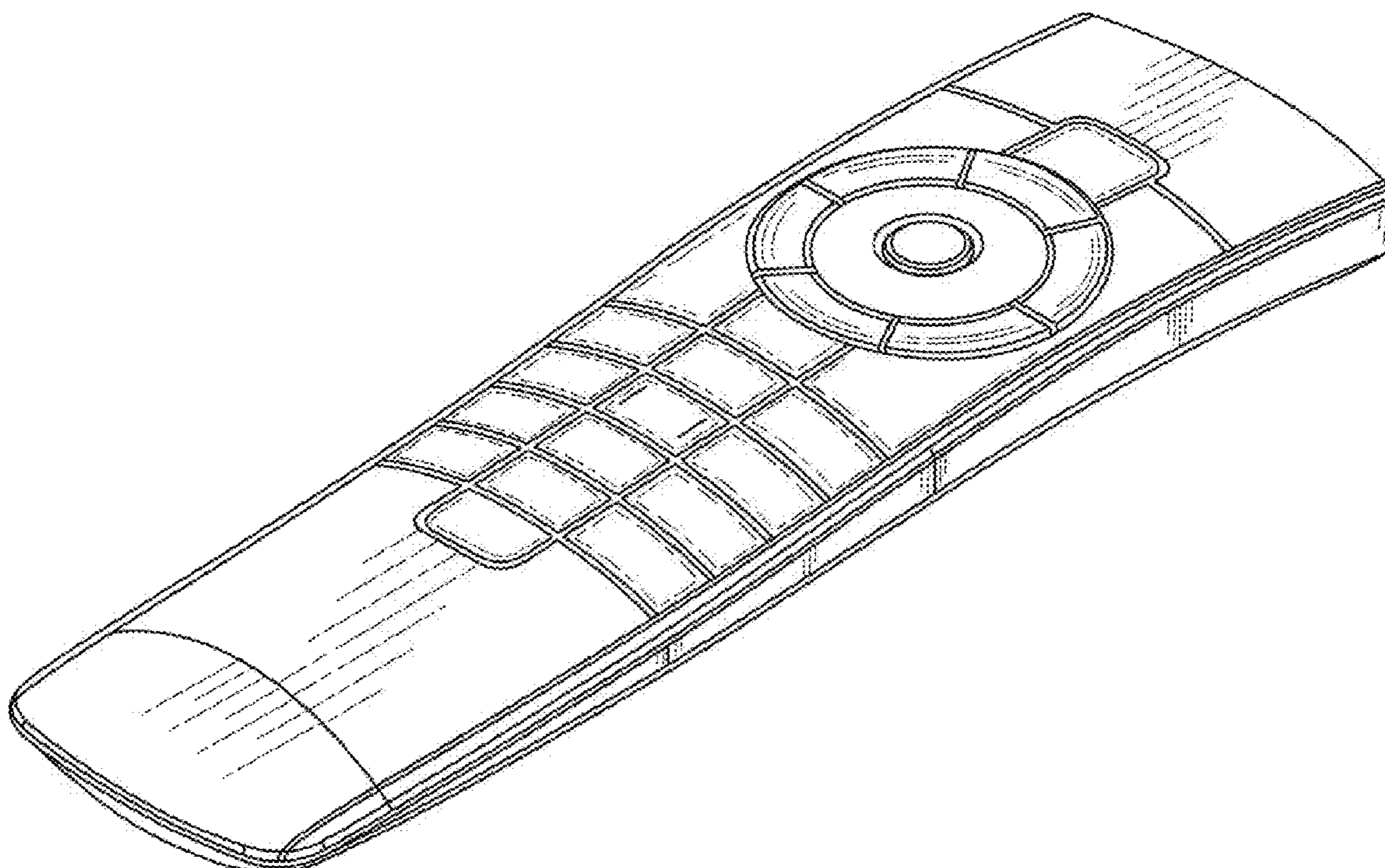
FIG. 3 is a side view thereof;

FIG. 4 is a bottom view thereof;

FIG. 5 is a back view thereof; and,

FIG. 6 is a front view thereof.

1 Claim, 4 Drawing Sheets



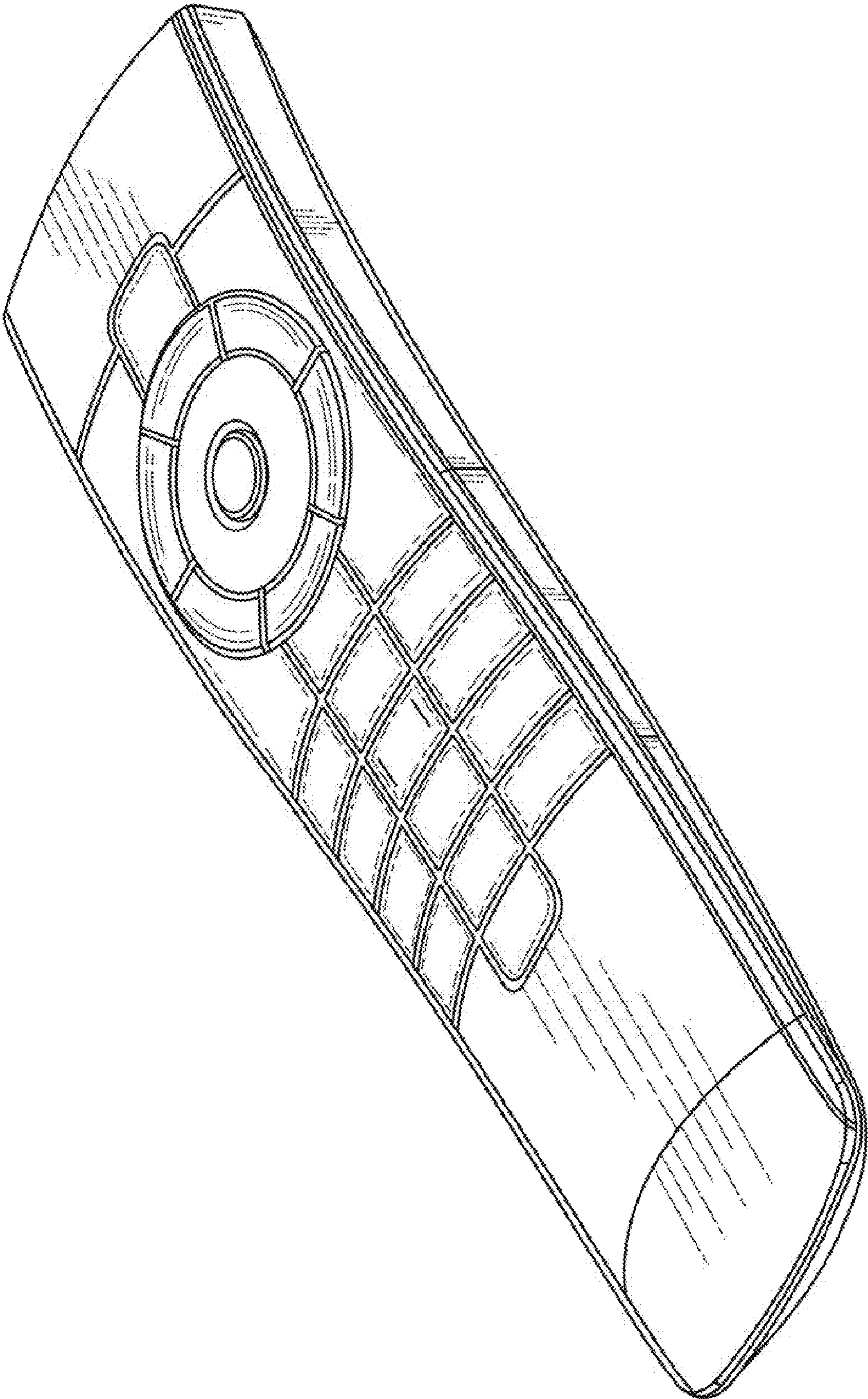


FIG. 1

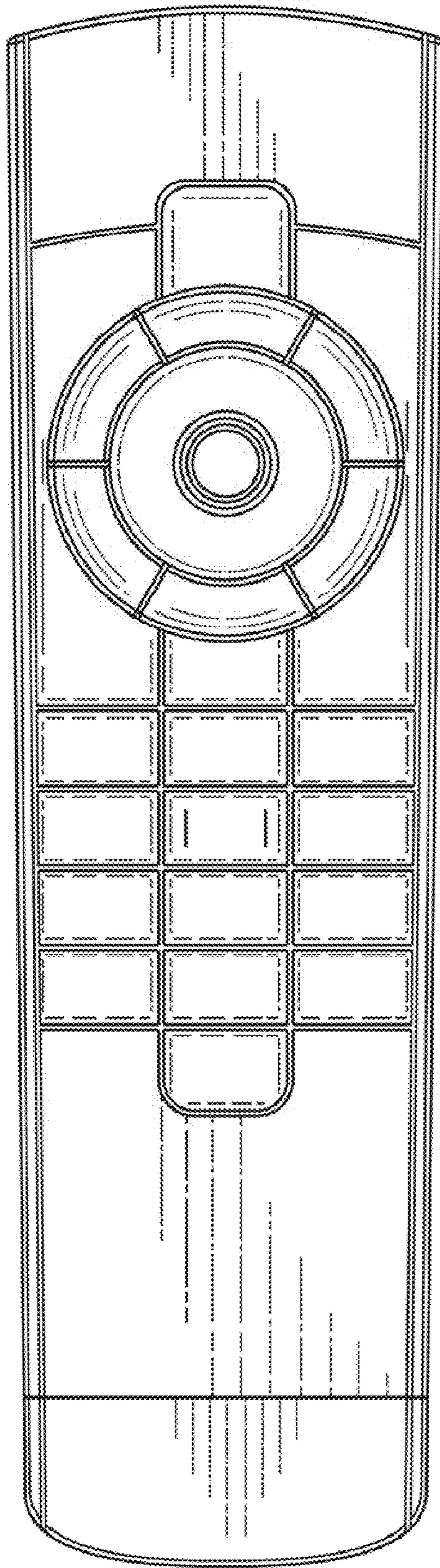


FIG. 2

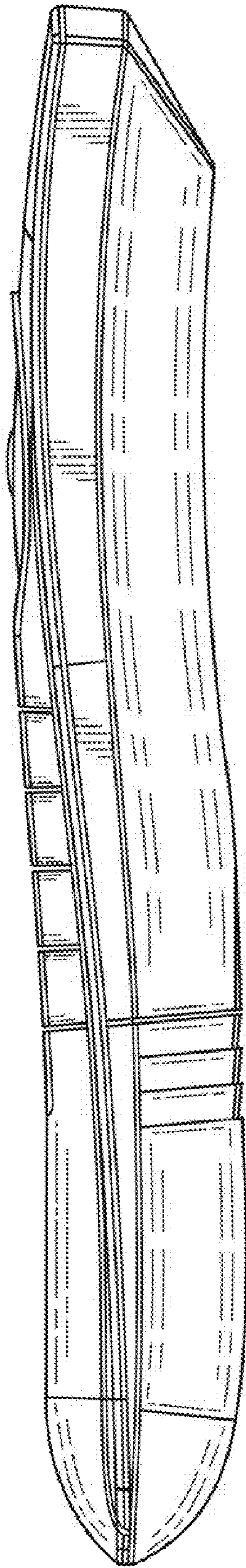


FIG. 3

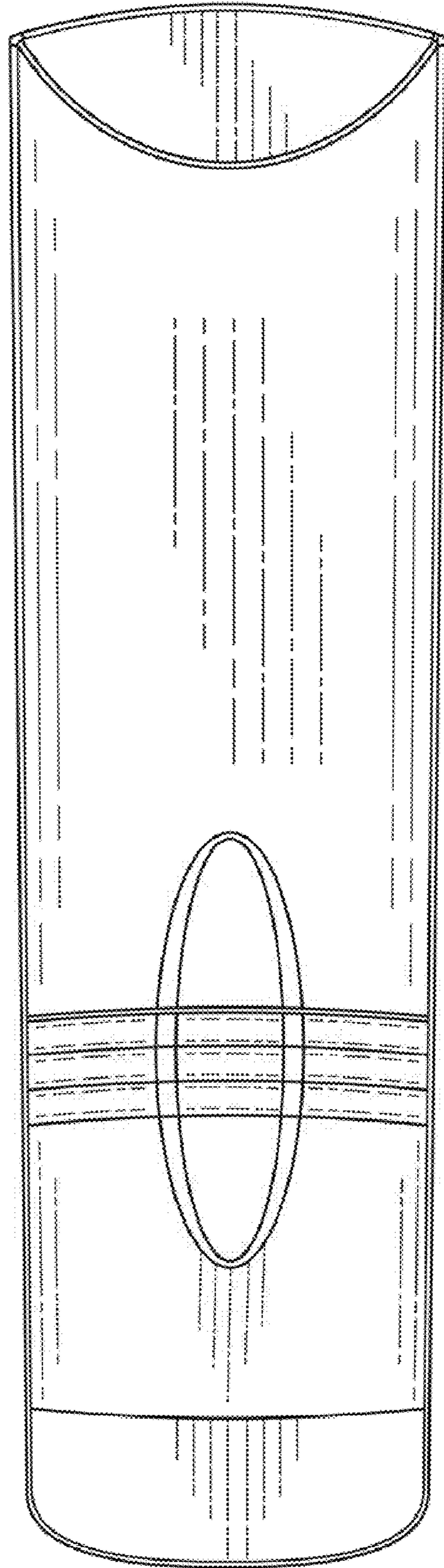


FIG. 4

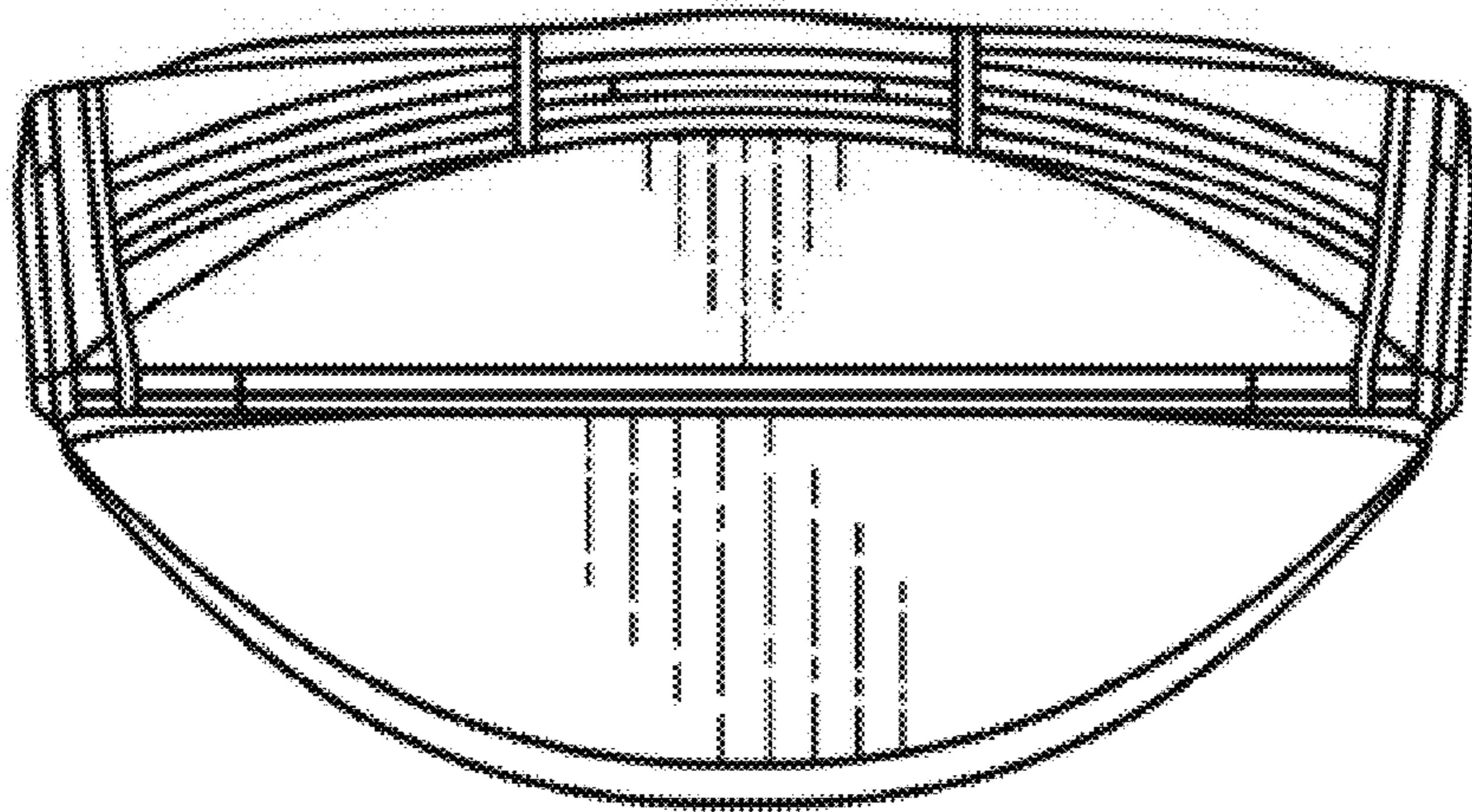


FIG. 5

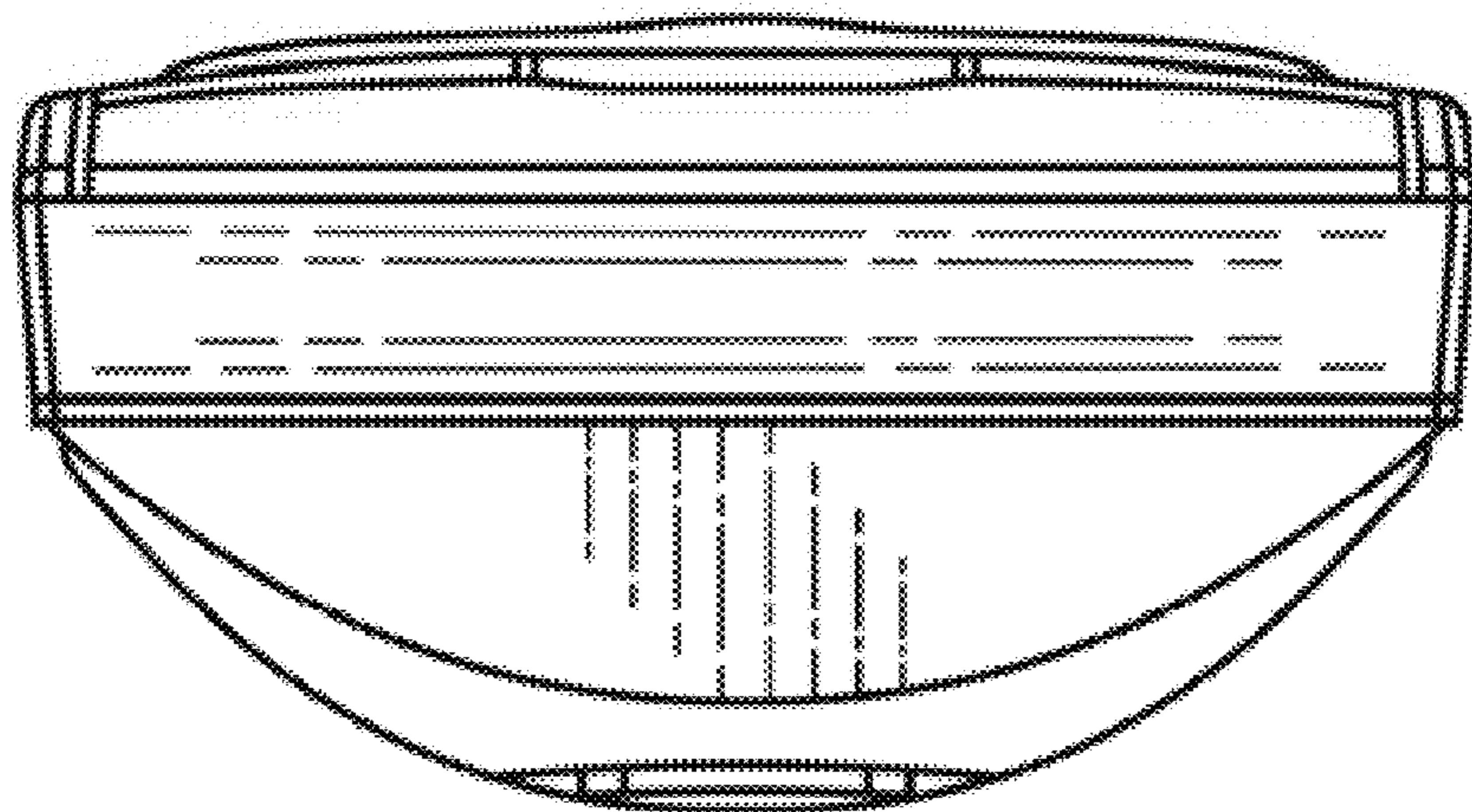


FIG. 6