



US00D602473S

(12) **United States Design Patent**  
**Møller et al.**

(10) **Patent No.:** **US D602,473 S**  
(45) **Date of Patent:** **\*\* Oct. 20, 2009**

(54) **REMOTE CONTROL**

(75) Inventors: **Brent Møller**, Gentofte (DK); **Henning Ebbesen**, Skjern (DK); **Jørgen Herlufsen**, Give (DK)

(73) Assignee: **VKR Holding A/S**, Hoersholm (DK)

(\*\*) Term: **14 Years**

(21) Appl. No.: **29/309,514**

(22) Filed: **Aug. 26, 2008**

**Related U.S. Application Data**

(62) Division of application No. 29/218,159, filed on Nov. 30, 2004, now Pat. No. Des. 584,718.

(51) **LOC (9) Cl.** ..... **14-03**

(52) **U.S. Cl.** ..... **D14/218**

(58) **Field of Classification Search** ..... D14/218,  
D14/455; D13/168; D21/566; D10/104,  
D10/106; 345/169; 348/14.05, 114, 211.99,  
348/734; 340/825.24; 341/22; 455/92, 95,  
455/128, 151.1–151.4, 352, 355, FOR. 121;  
700/65

See application file for complete search history.

(56) **References Cited**

**U.S. PATENT DOCUMENTS**

- D516,545 S \* 3/2006 Lai ..... D14/218
- D518,447 S \* 4/2006 Spira ..... D13/168
- D531,585 S \* 11/2006 Weitgasser et al. .... D13/168
- D531,588 S \* 11/2006 Peh ..... D13/168
- D531,964 S \* 11/2006 Peh ..... D13/168
- D534,900 S \* 1/2007 Weitgasser et al. .... D14/218
- D535,261 S \* 1/2007 Daniels ..... D13/168
- D538,820 S \* 3/2007 Andre et al. .... D14/203.7

- D543,197 S \* 5/2007 Loughnane ..... D14/218
- D548,195 S \* 8/2007 Poulet ..... D13/168
- D549,665 S \* 8/2007 Chen ..... D13/168
- D549,666 S \* 8/2007 Tan et al. .... D13/168
- D552,086 S \* 10/2007 Johnson et al. .... D14/217
- D555,107 S \* 11/2007 Choi et al. .... D13/168
- D559,202 S \* 1/2008 Sim et al. .... D13/168
- D559,231 S \* 1/2008 Krzyzanowski et al. .... D14/218
- D568,827 S \* 5/2008 Ikeda et al. .... D13/168
- D572,207 S \* 7/2008 Chen ..... D13/168
- D581,371 S \* 11/2008 Richmond ..... D13/168
- D592,611 S \* 5/2009 Altonen et al. .... D13/171

\* cited by examiner

*Primary Examiner*—T. Chase Nelson

*Assistant Examiner*—John Windmuller

(74) *Attorney, Agent, or Firm*—Merek, Blackmon & Voorhees, LLC

(57) **CLAIM**

The ornamental design for a remote control, as shown and described.

**DESCRIPTION**

FIG. 1 is a front elevation of a remote control showing our design;

FIG. 2 is a top plan view of the remote control of FIG. 1;

FIG. 3 is a bottom plan view of the remote control of FIG. 1;

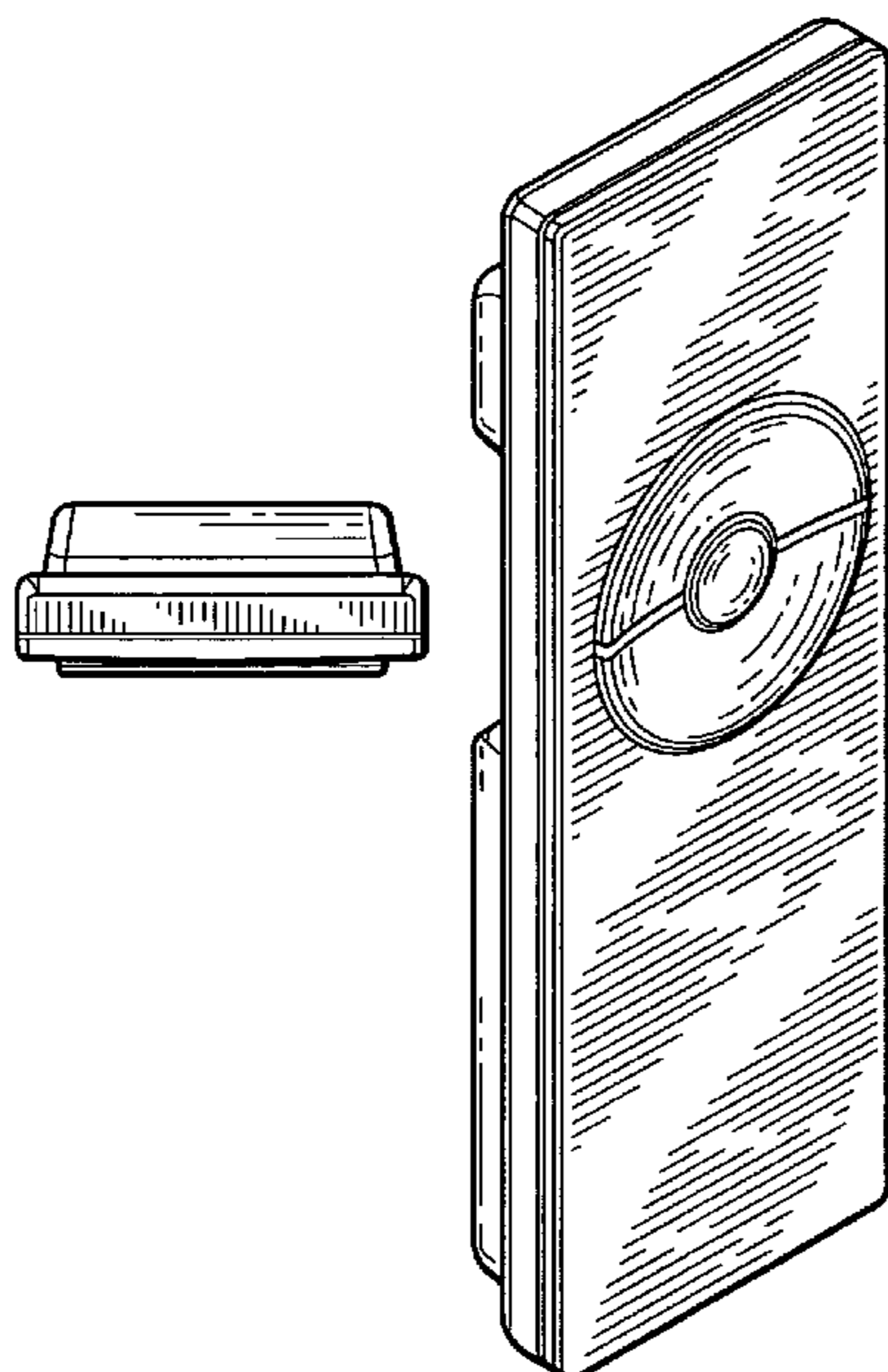
FIG. 4 is a right side elevation of the remote control of FIG. 1;

FIG. 5 is a rear elevation of the remote control of FIG. 1;

FIG. 6 is a perspective view taken from the front, top and left side of the remote control of FIG. 1; and,

FIG. 7 is a perspective view taken from the rear, top and left side of the remote control of FIG. 1.

**1 Claim, 2 Drawing Sheets**



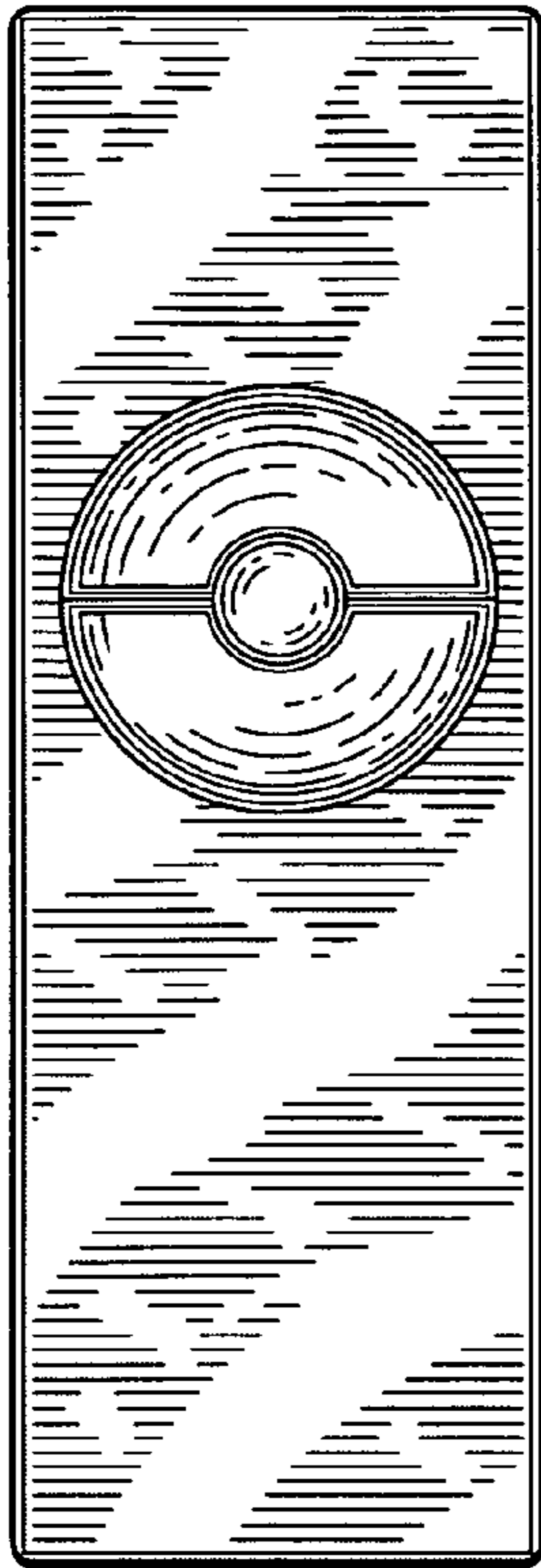


FIG. 1

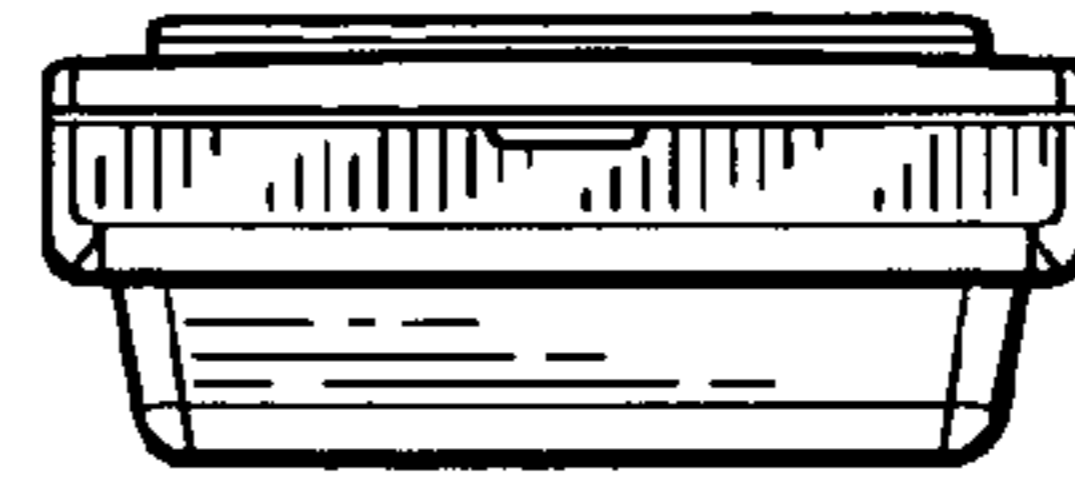


FIG. 2

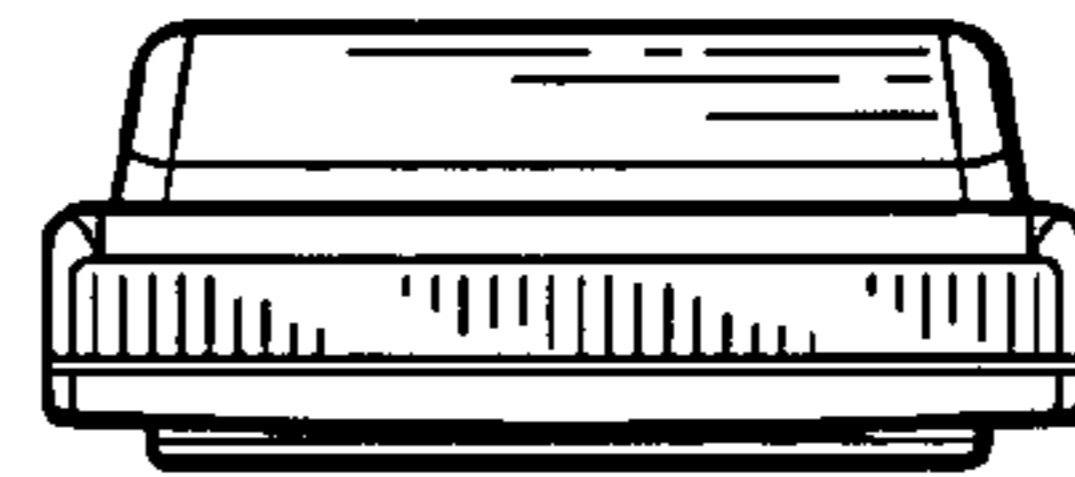


FIG. 3

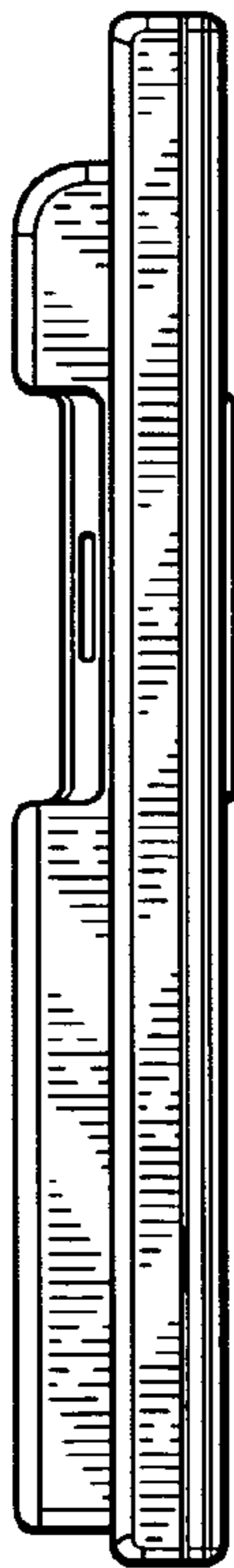


FIG. 4

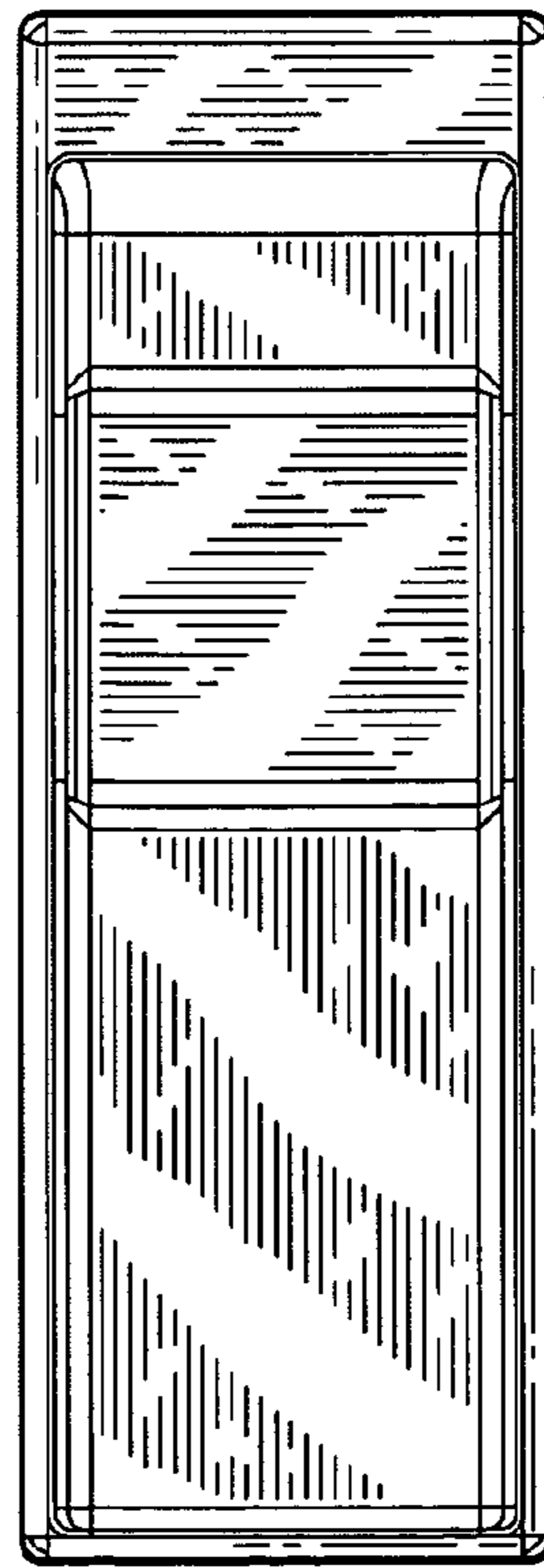
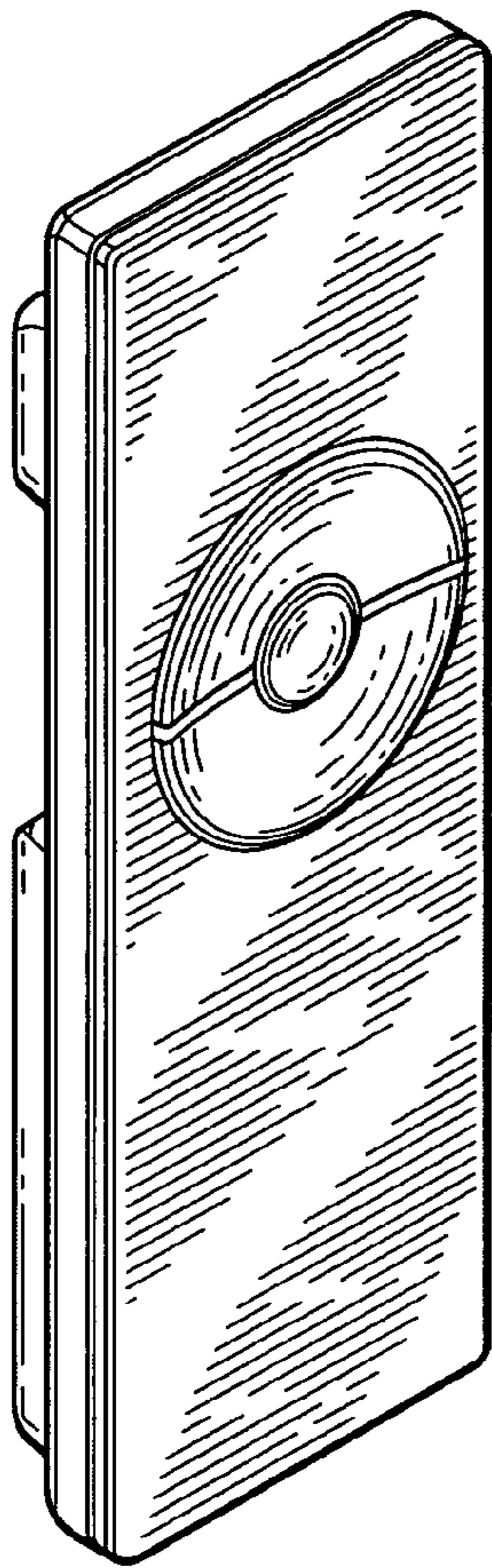
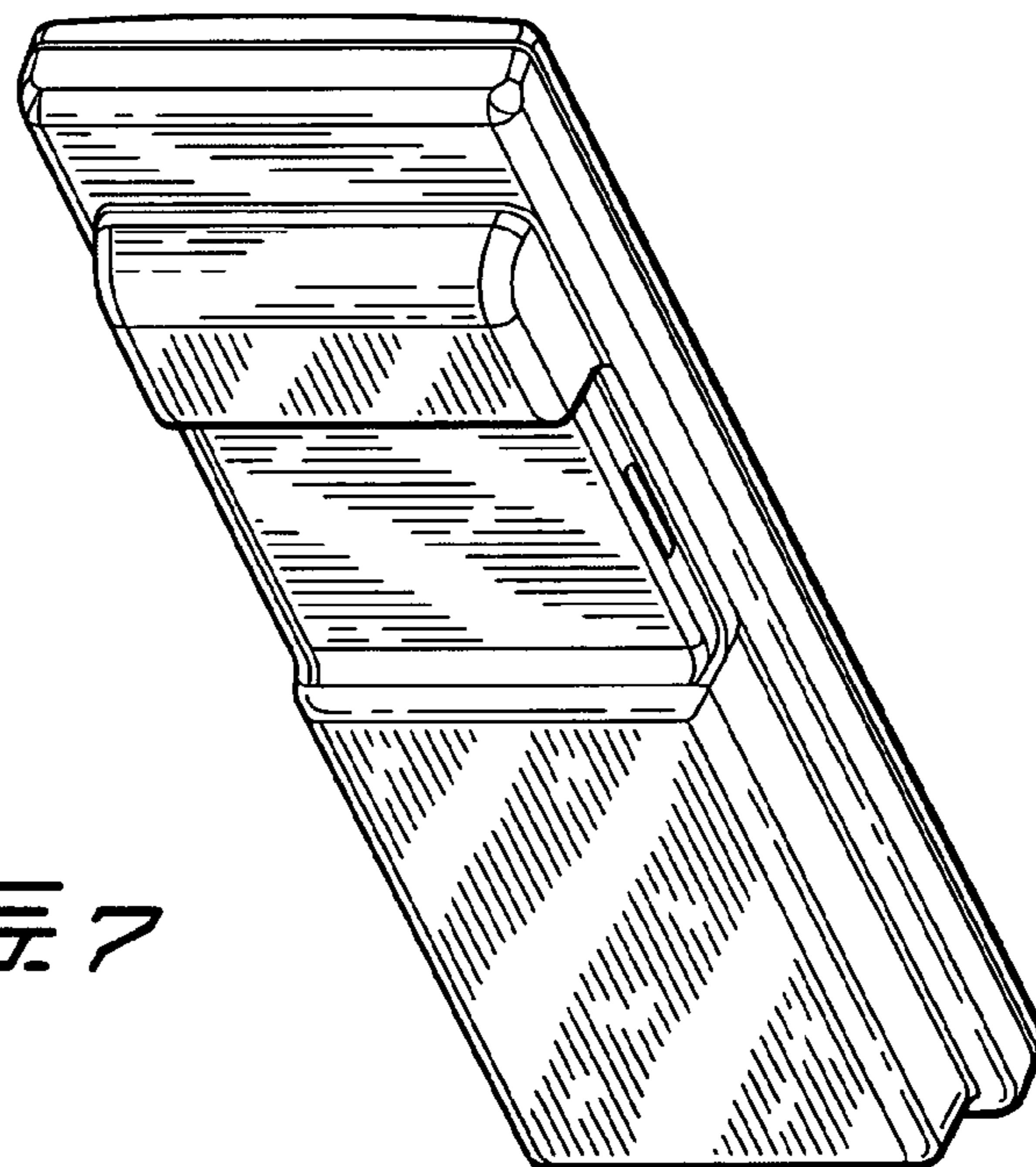


FIG. 5



*FIG. 6*



*FIG. 7*