



US00D602471S

(12) **United States Design Patent**
Bogdan et al.

(10) **Patent No.:** **US D602,471 S**
(45) **Date of Patent:** **** Oct. 20, 2009**

(54) **LOCK FOR AUDIO COMPONENT CONTROLS**

(75) Inventors: **John B. Bogdan**, Providence, UT (US);
Robin M. Urry, Draper, UT (US); **John D. Hanson**, West Jordan, UT (US)

(73) Assignee: **Harman International Industries, Incorporated**, Northridge, CA (US)

(**) Term: **14 Years**

(21) Appl. No.: **29/306,834**

(22) Filed: **Apr. 17, 2008**

(51) **LOC (9) Cl.** **14-03**

(52) **U.S. Cl.** **D14/217; D8/331; D8/346**

(58) **Field of Classification Search** D14/137,
D14/155, 156, 168, 169, 170-172, 175, 176,
D14/183, 188, 189, 193-198, 203.1-203.8,
D14/204, 207, 210, 217, 220, 238.1, 250,
D14/251, 341, 496; D8/330, 331, 346, 349,
D8/353; 455/90.1-90.3; 369/6-12; 370/342-344
See application file for complete search history.

(56) **References Cited**

U.S. PATENT DOCUMENTS

D390,444 S *	2/1998	Wintrone	D8/337
D428,793 S *	8/2000	Bruno	D8/330
D538,135 S *	3/2007	Isaacs	D8/347
D568,143 S *	5/2008	Sclater	D8/331
D579,314 S *	10/2008	Tozer et al.	D8/331

D584,595 S * 1/2009 Gray D8/331

* cited by examiner

Primary Examiner—Stella M Reid

Assistant Examiner—Keli L Hill

(74) *Attorney, Agent, or Firm*—Plumsea Law Group, LLC

(57) **CLAIM**

The ornamental design for a lock for audio component controls, as shown and described.

DESCRIPTION

FIG. 1 is a perspective view of a lock for audio components controls showing our new design;

FIG. 2 is a top plan view thereof;

FIG. 3 is a bottom plan view thereof;

FIG. 4 is a front elevational view thereof;

FIG. 5 is a rear elevational view thereof;

FIG. 6 is a side elevational view of one side thereof;

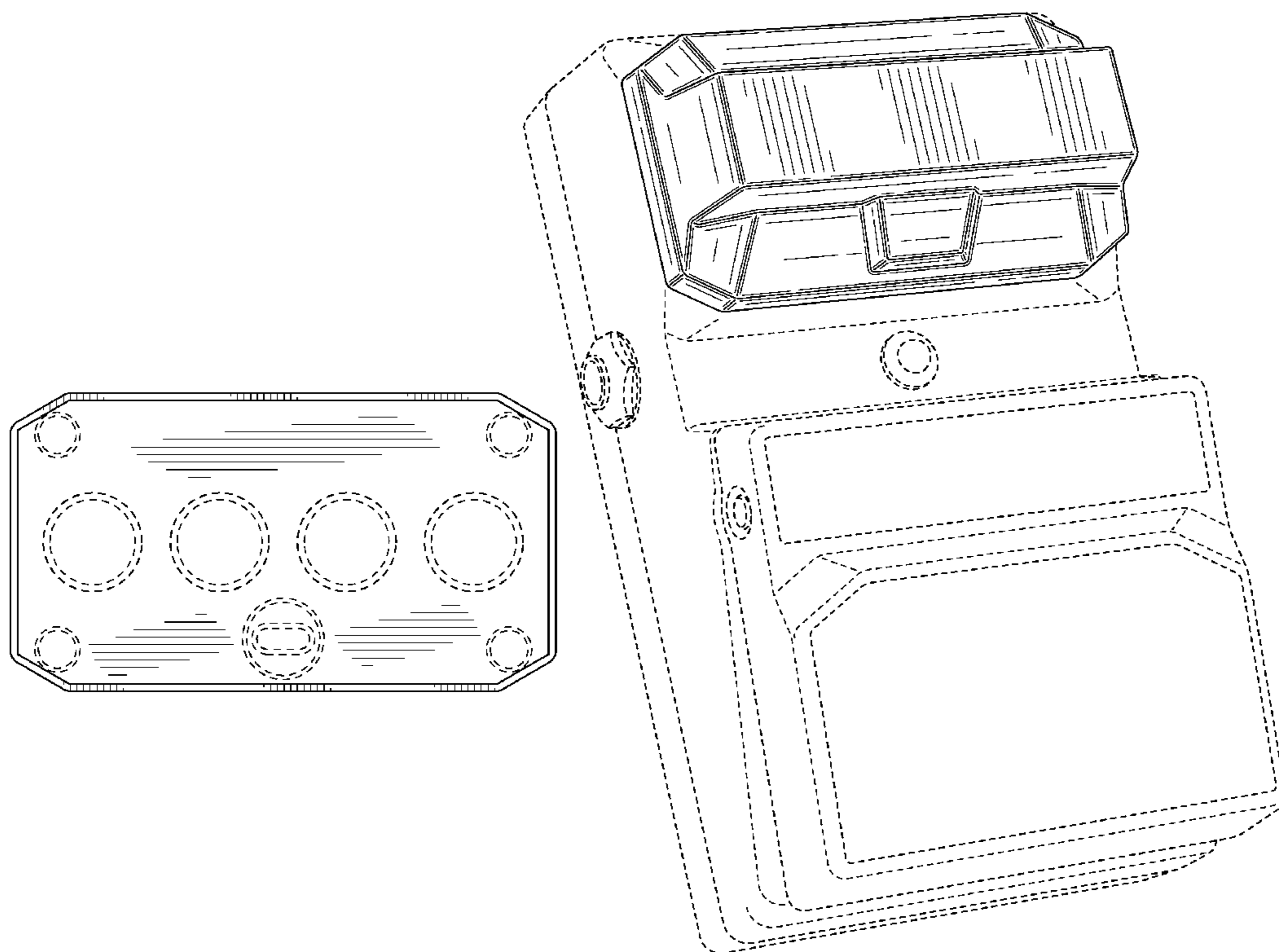
FIG. 7 is a side elevational view of the other side thereof;

FIG. 8 is an environmental perspective view of an exemplary audio component with dial controls; and,

FIG. 9 is a perspective view of the exemplary audio component shown with the lock for audio component controls arranged thereon.

The broken lines represent the portions of the design that form no part of the claim.

1 Claim, 5 Drawing Sheets



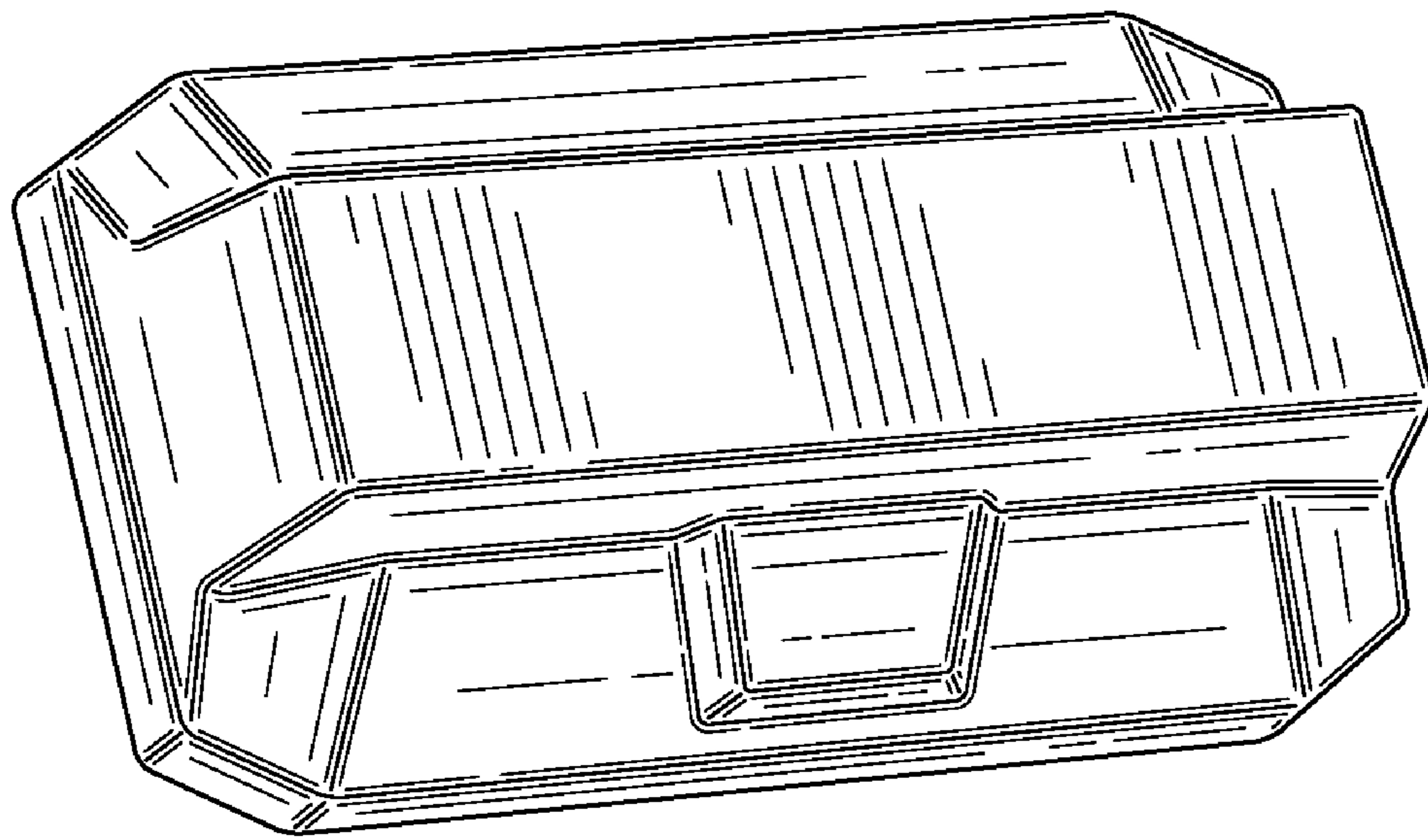


FIG. 1

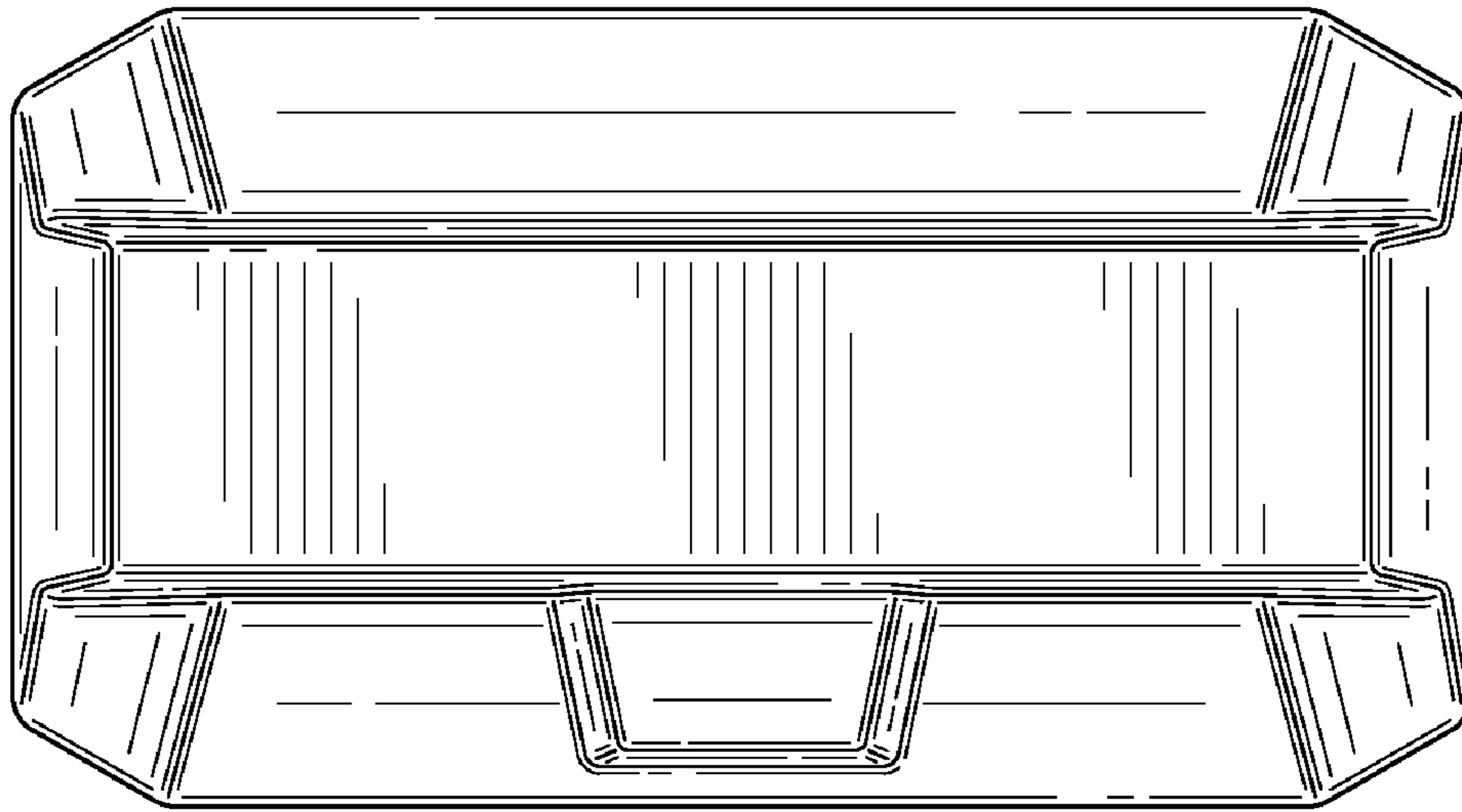


FIG. 2

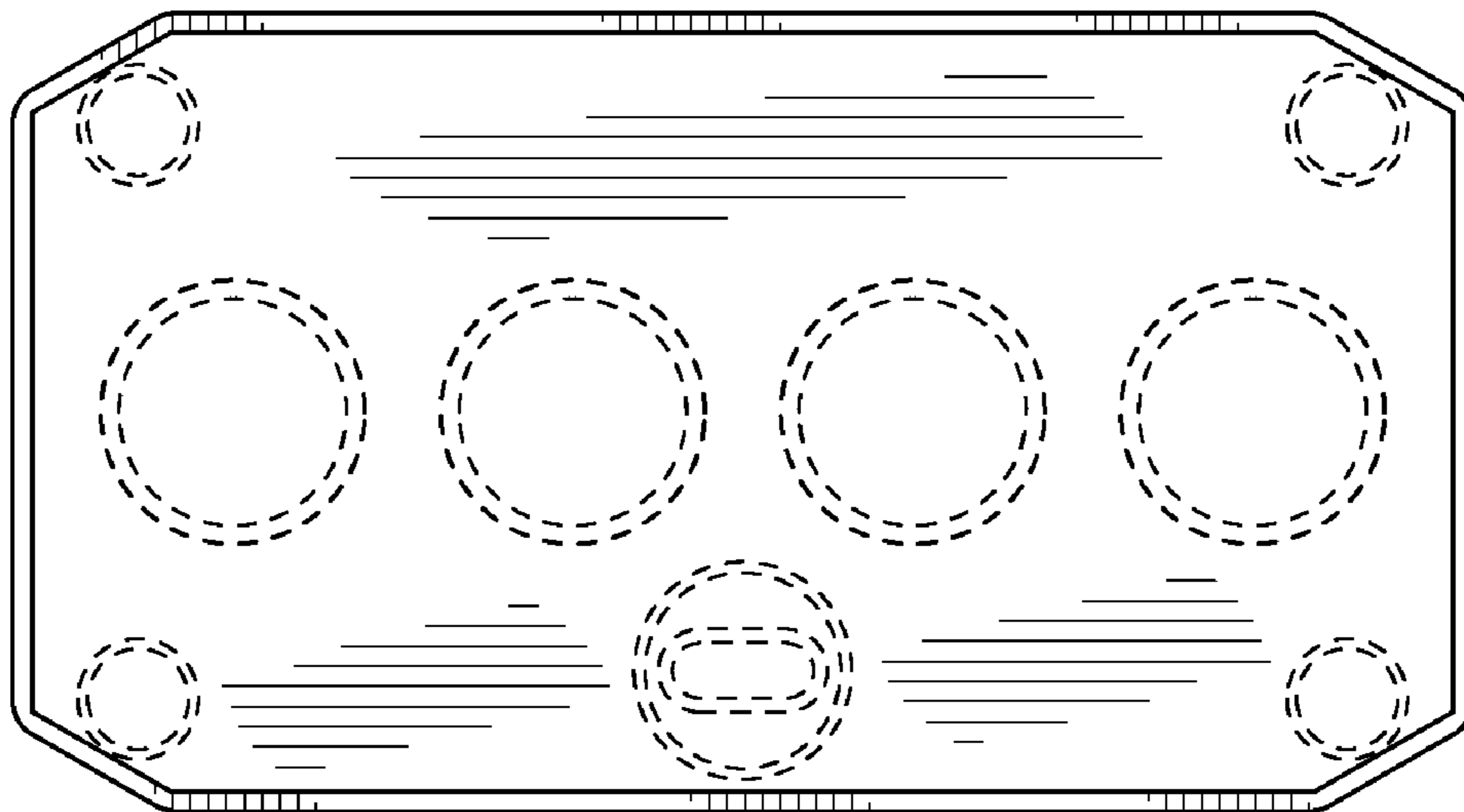


FIG. 3

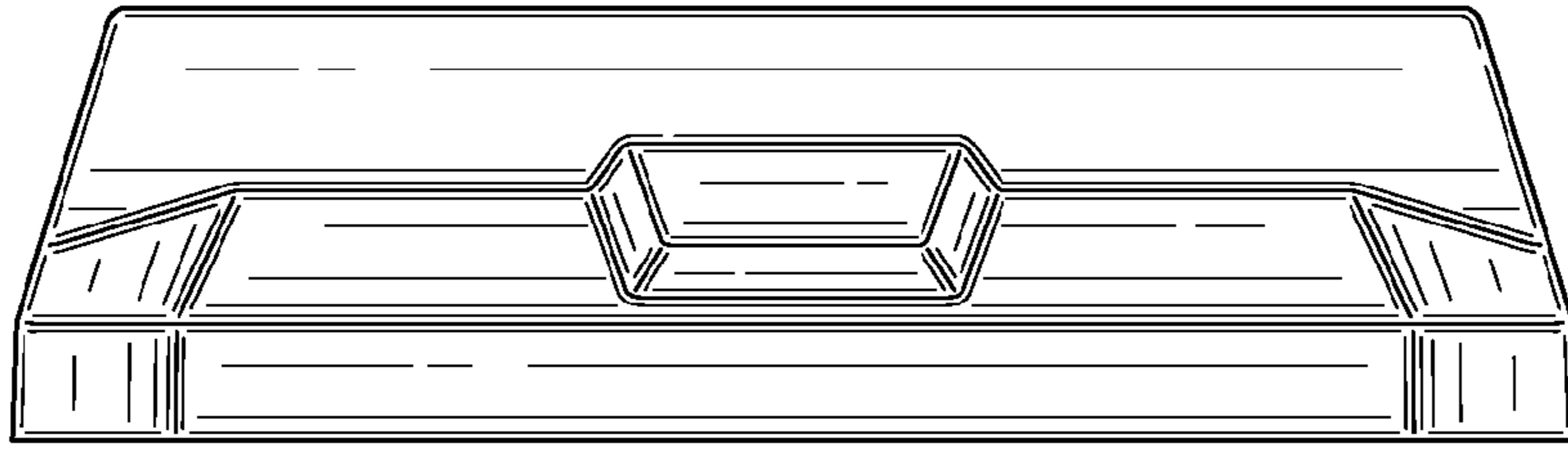


FIG. 4

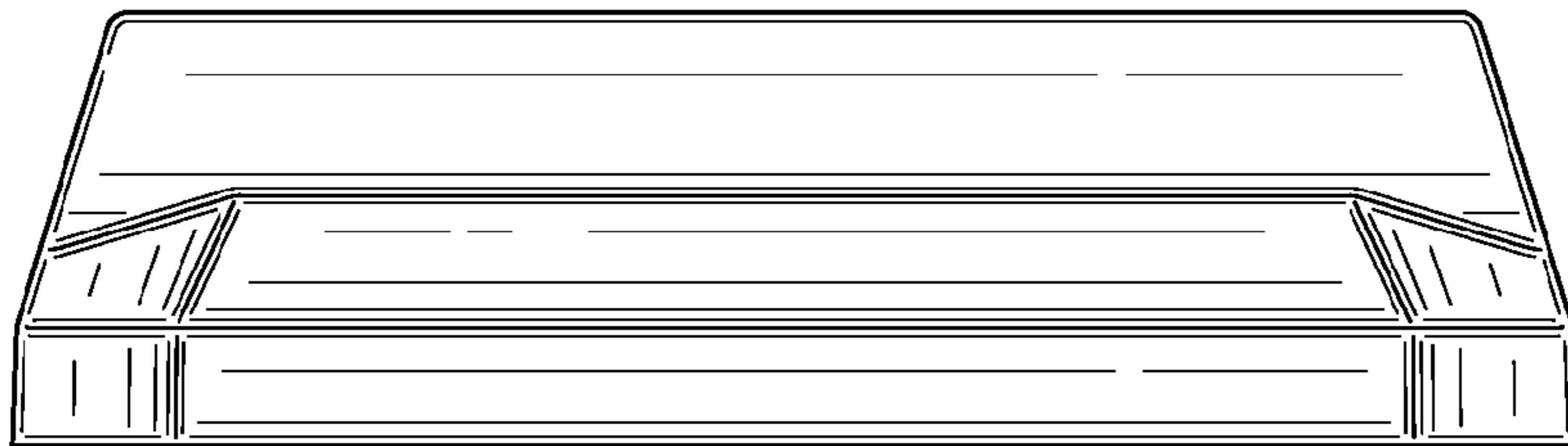


FIG. 5

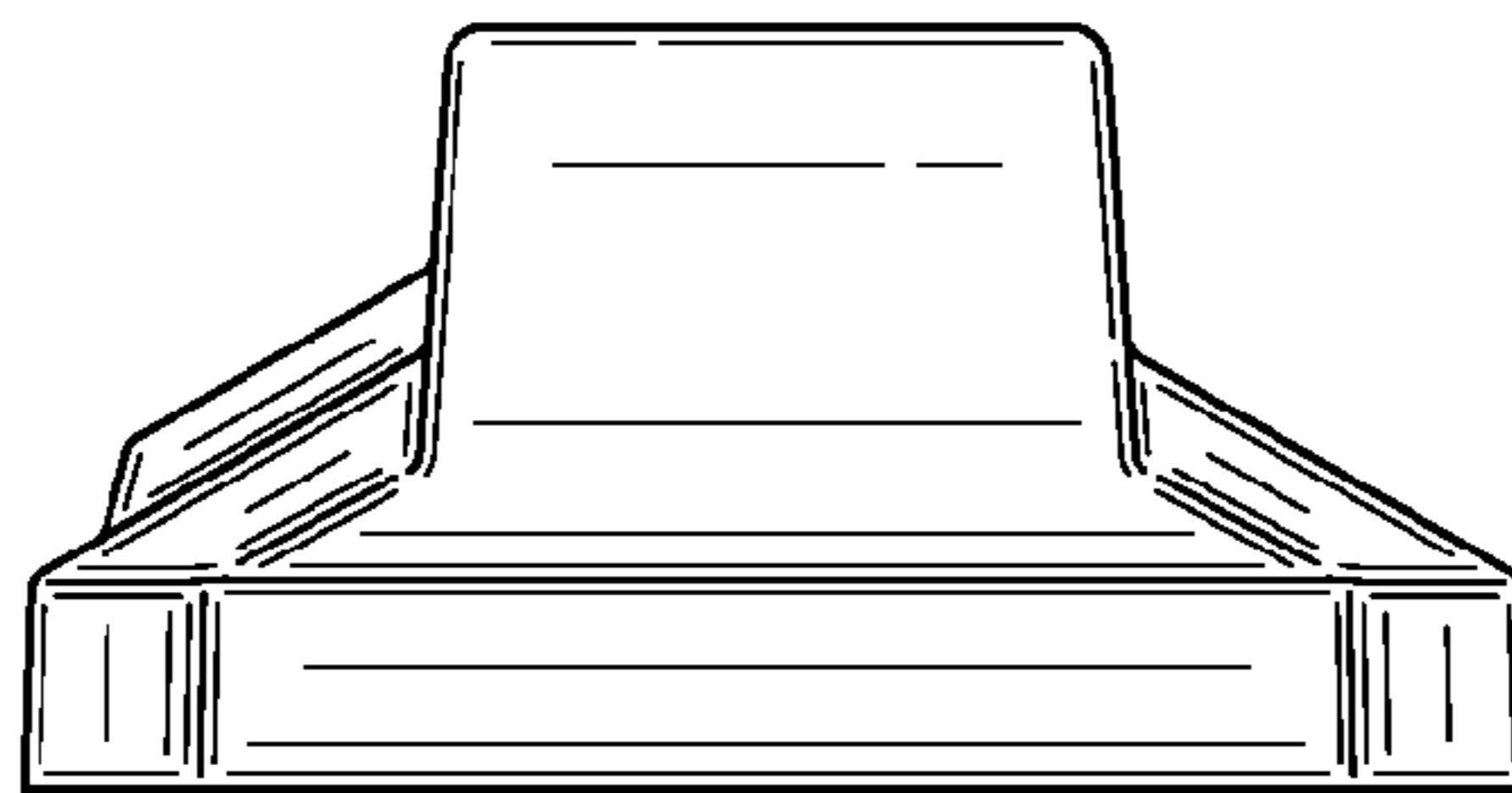


FIG. 6

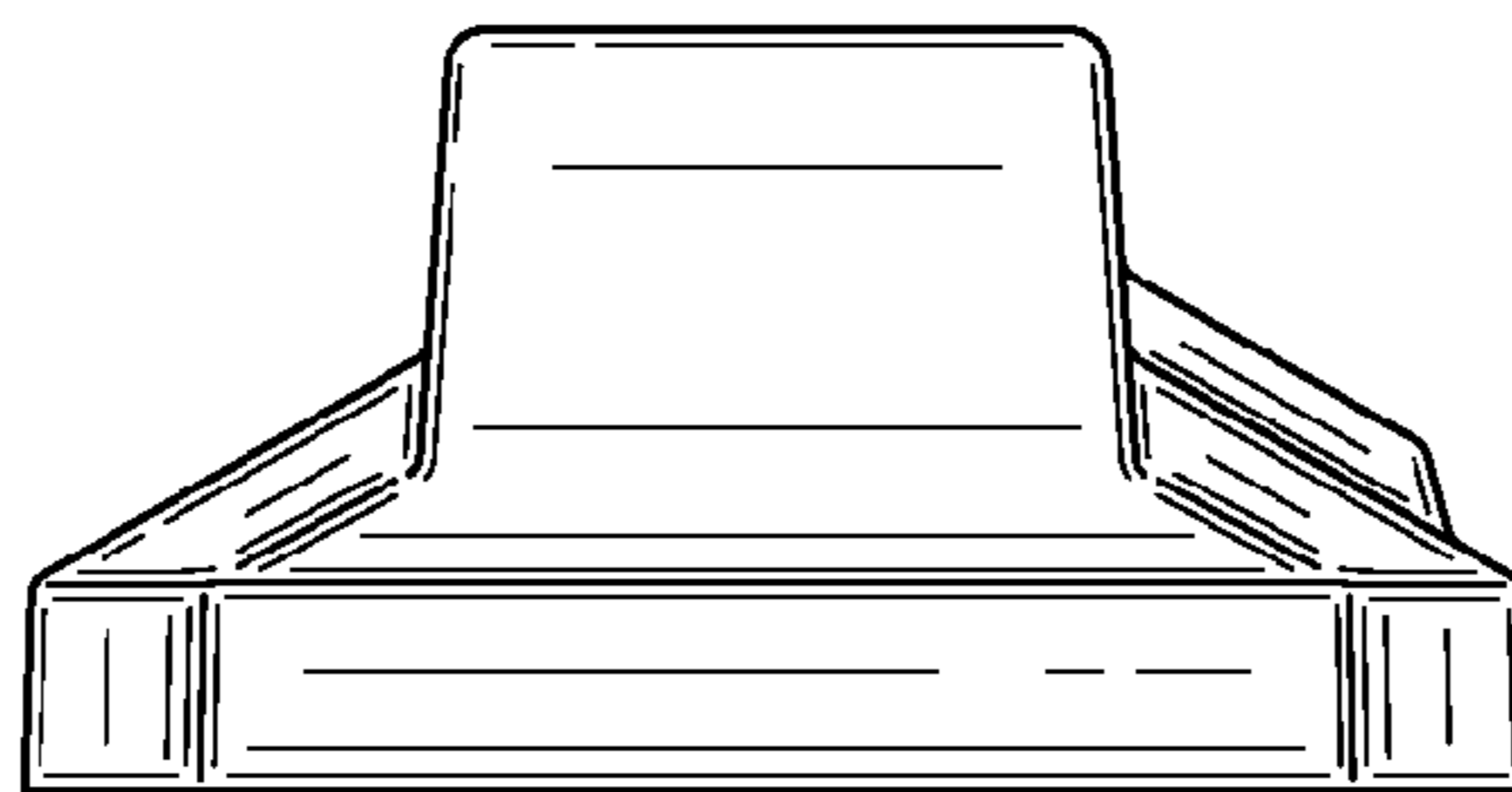


FIG. 7

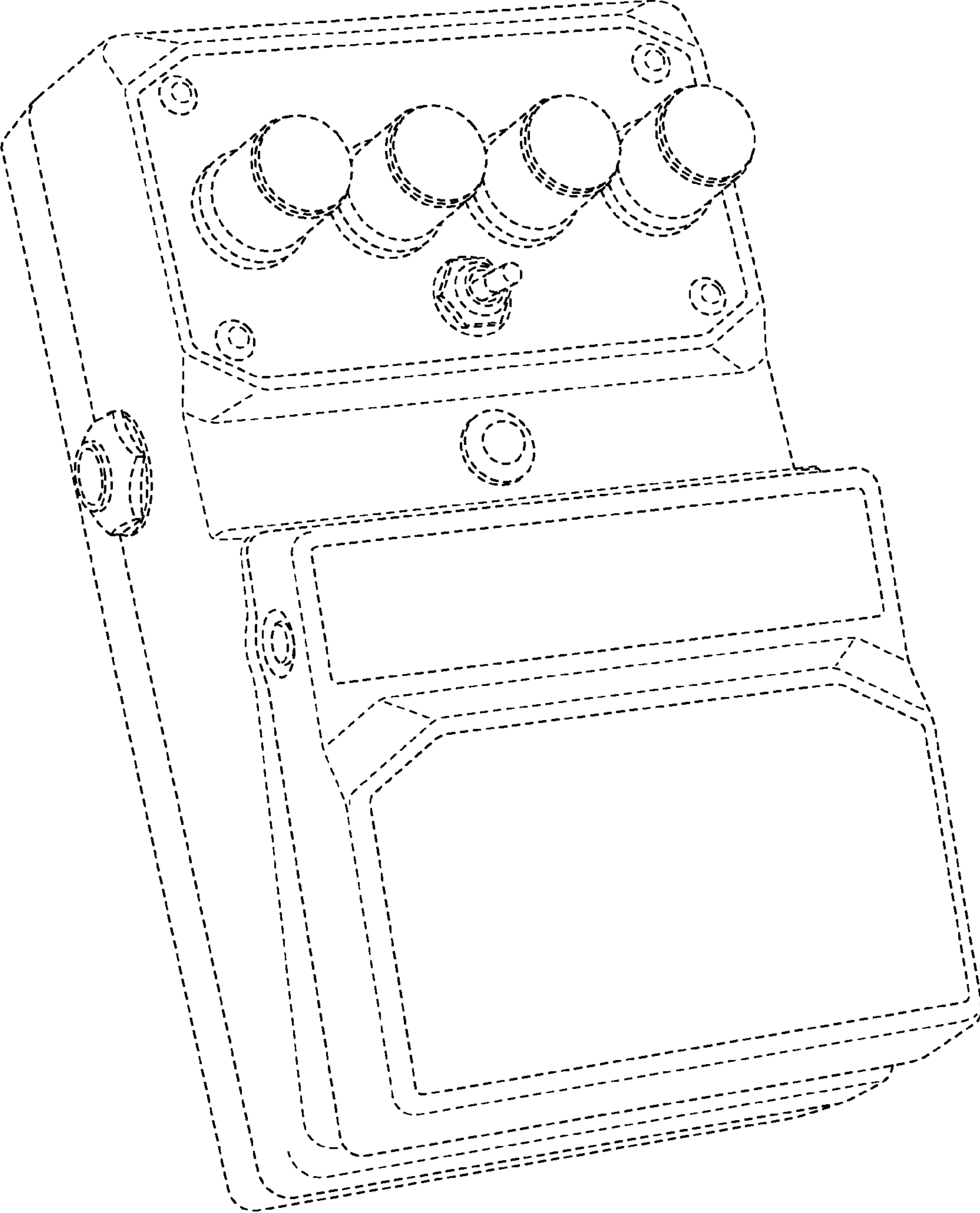


FIG. 8

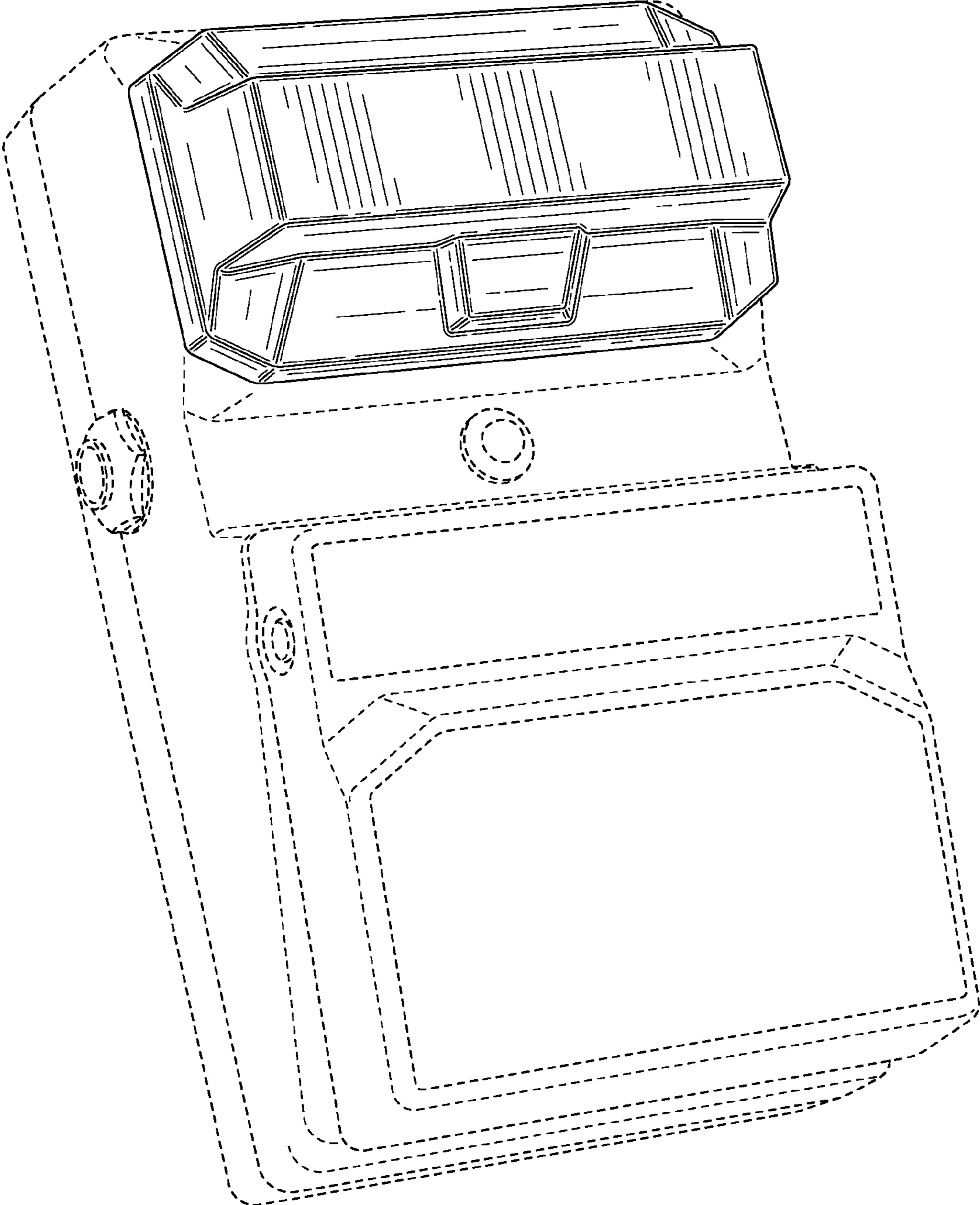


FIG. 9