



US00D602465S

(12) **United States Design Patent**
Mills et al.

(10) **Patent No.:** **US D602,465 S**
(45) **Date of Patent:** **** Oct. 20, 2009**

(54) **AUDIO STEREO SYSTEM**

(75) Inventors: **Stephen B. Mills**, Atkinson, NH (US);
James D. TerMeer, Chicago, IL (US)

(73) Assignee: **Brookstone Purchasing, Inc.**,
Merrimack, NH (US)

(**) Term: **14 Years**

(21) Appl. No.: **29/308,960**

(22) Filed: **Jul. 17, 2008**

(51) **LOC (9) Cl.** **14-01**

(52) **U.S. Cl.** **D14/168; D14/214**

(58) **Field of Classification Search** D14/496,
D14/498-511, 167-168, 188, 197-198, 171-172;
360/99.02, 99.07; 369/75.11, 75.21, 77.11,
369/77.21; 720/601, 612, 619, 649, 655;
455/344, 347-351

See application file for complete search history.

(56) **References Cited**

U.S. PATENT DOCUMENTS

- D432,518 S * 10/2000 Muto D14/172
- D432,519 S * 10/2000 Yamaoka et al. D14/172
- D467,897 S * 12/2002 Lin D14/211
- D476,640 S * 7/2003 Harris et al. D14/211

- D477,829 S * 7/2003 Hussaini et al. D14/496
- D477,830 S * 7/2003 Hussaini et al. D14/496
- D546,317 S * 7/2007 Harris D14/168

* cited by examiner

Primary Examiner—Nanda Bondade

(74) *Attorney, Agent, or Firm*—Grossman, Tucker, Perreault
& Pflieger

(57) **CLAIM**

The ornamental design for an audio stereo system, as shown
and described.

DESCRIPTION

FIG. 1 is a frontal perspective view of an audio stereo system.

FIG. 2 is a front elevation view thereof.

FIG. 3 is a rear elevation view thereof.

FIG. 4 is a right side elevation view thereof.

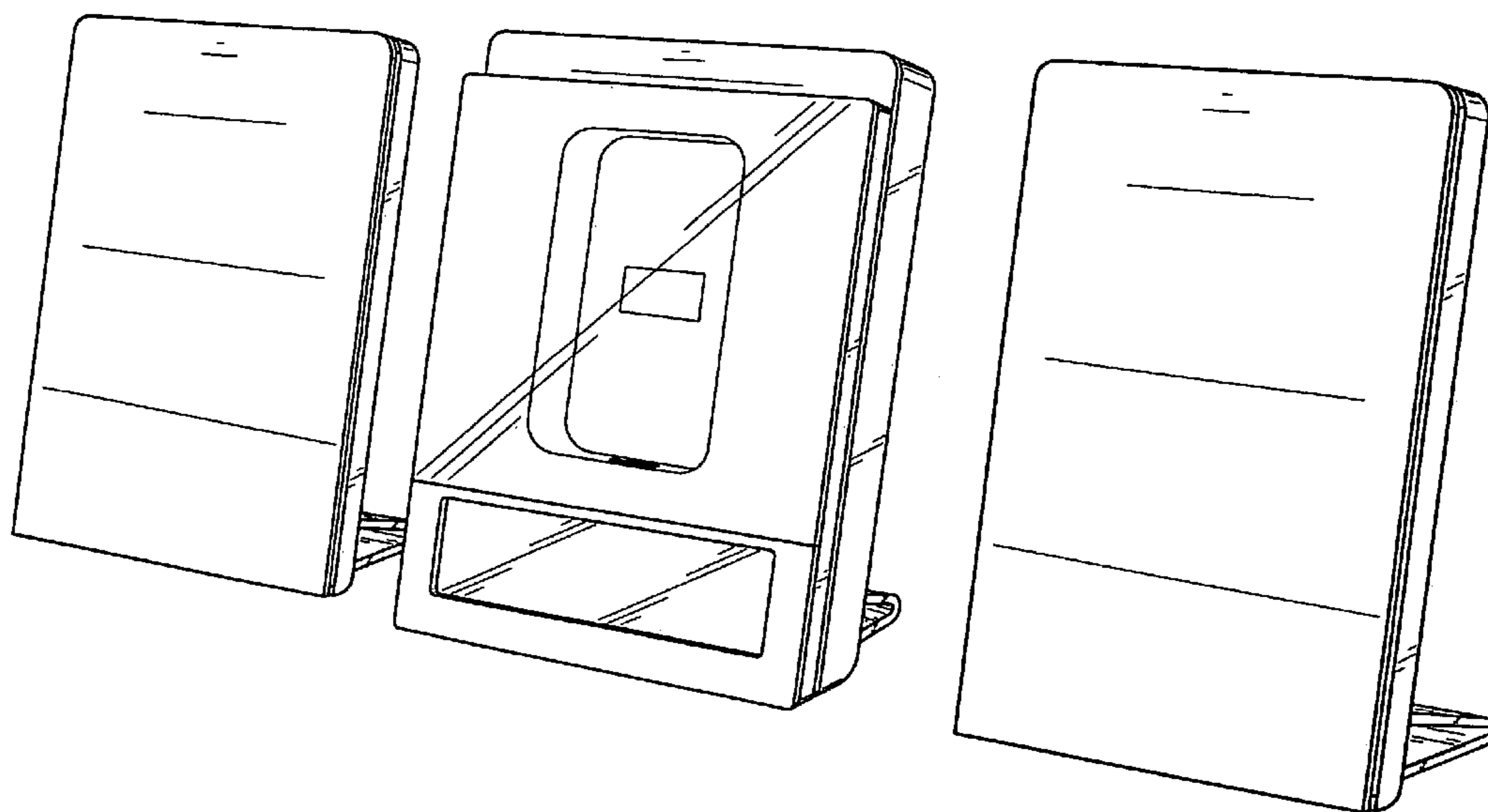
FIG. 5 is a left side elevation view thereof.

FIG. 6 is a top plan view thereof; and,

FIG. 7 is a bottom plan view thereof.

The broken lines shown on the drawings are for illustrative
purposes only and form no part of the claimed design.

1 Claim, 6 Drawing Sheets



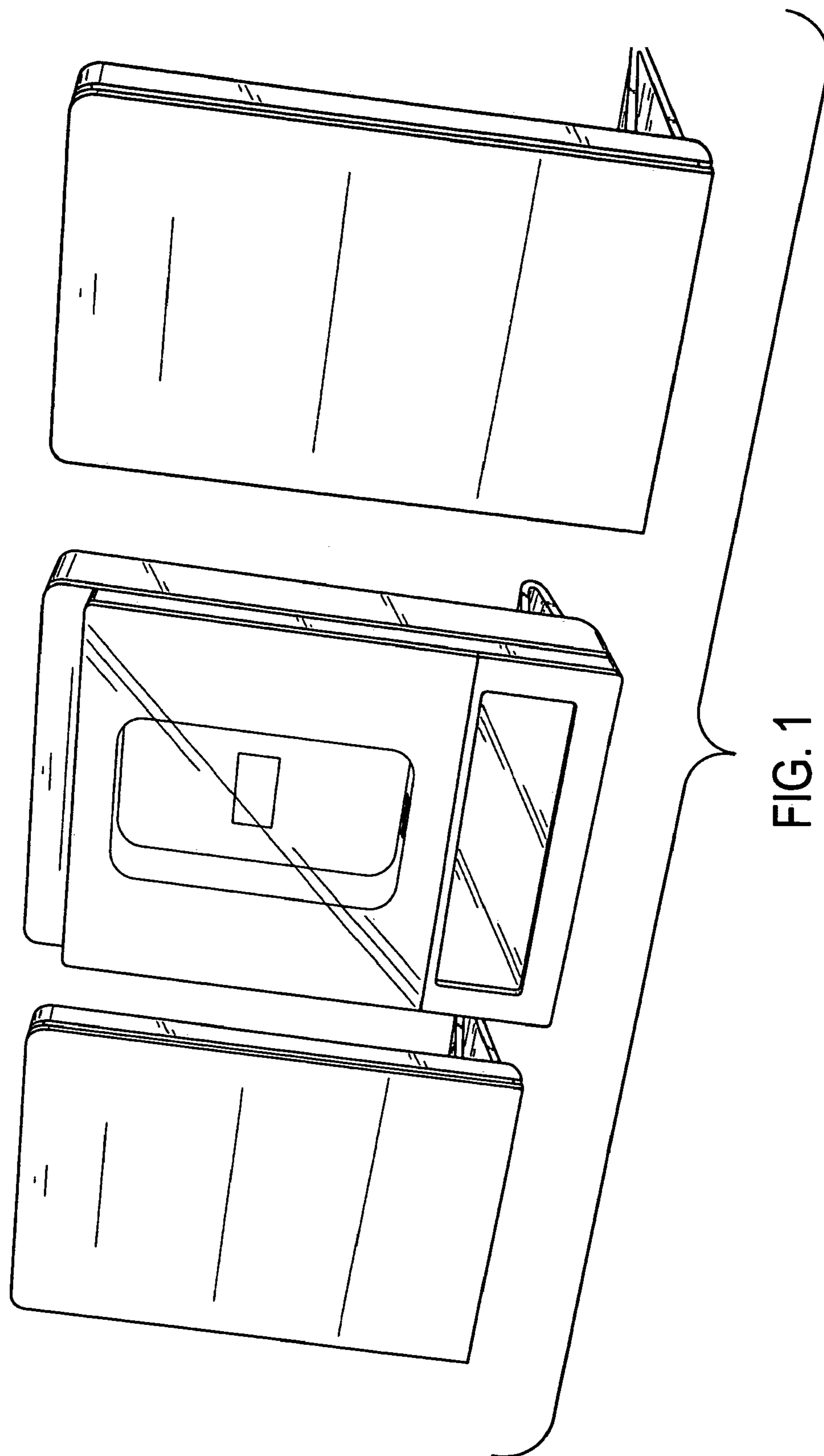


FIG. 1

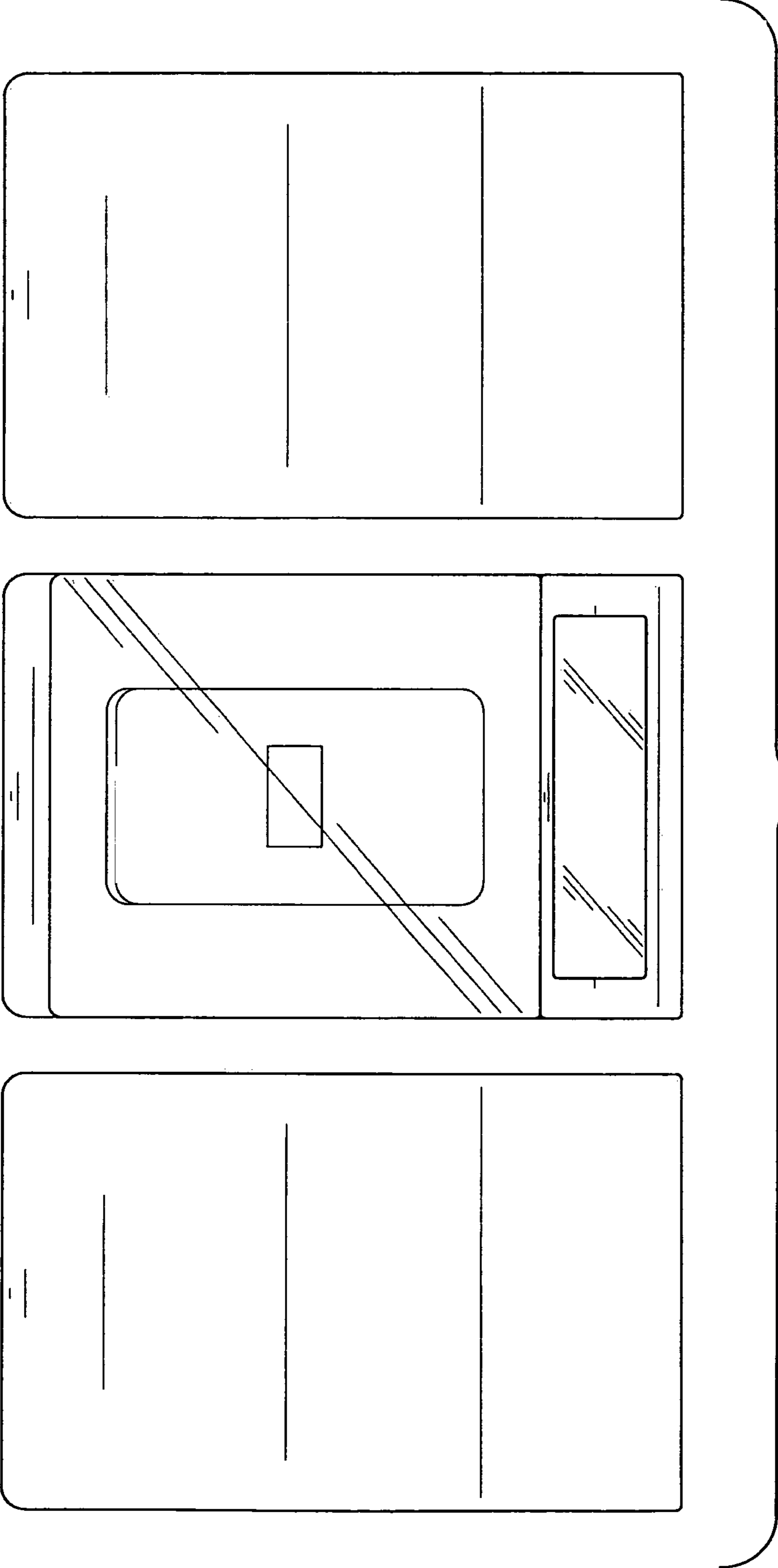


FIG. 2

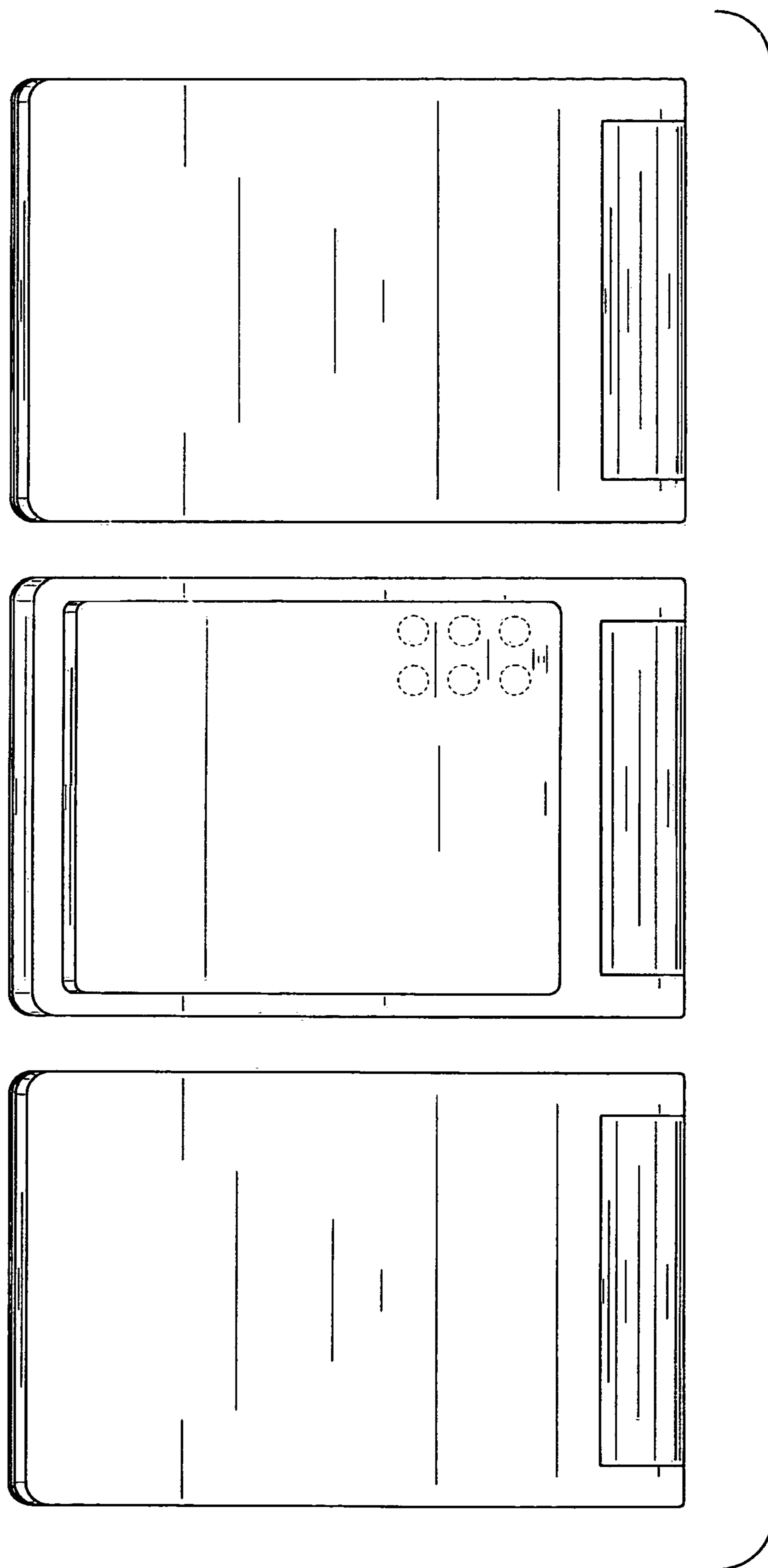


FIG. 3

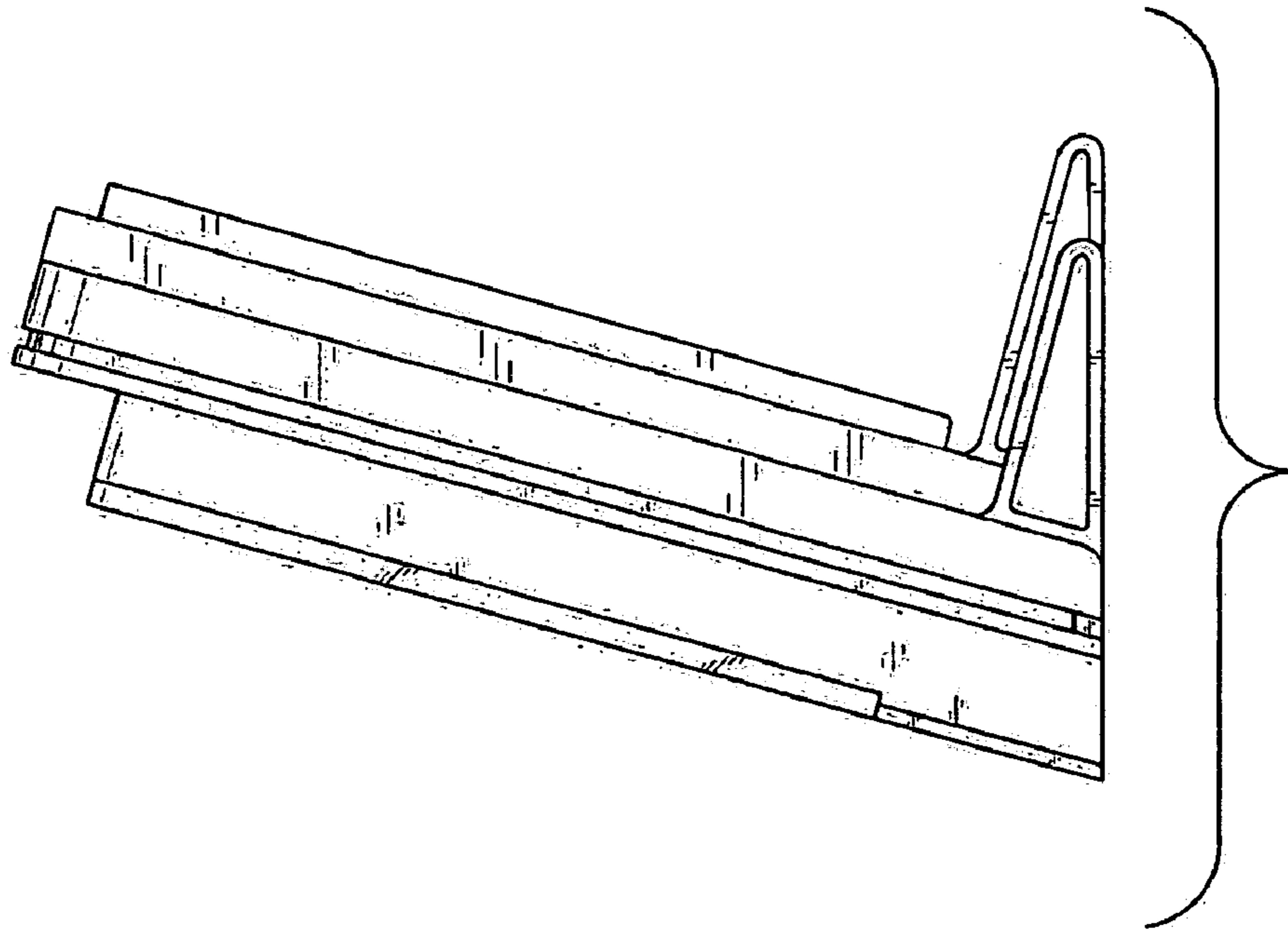


FIG. 5

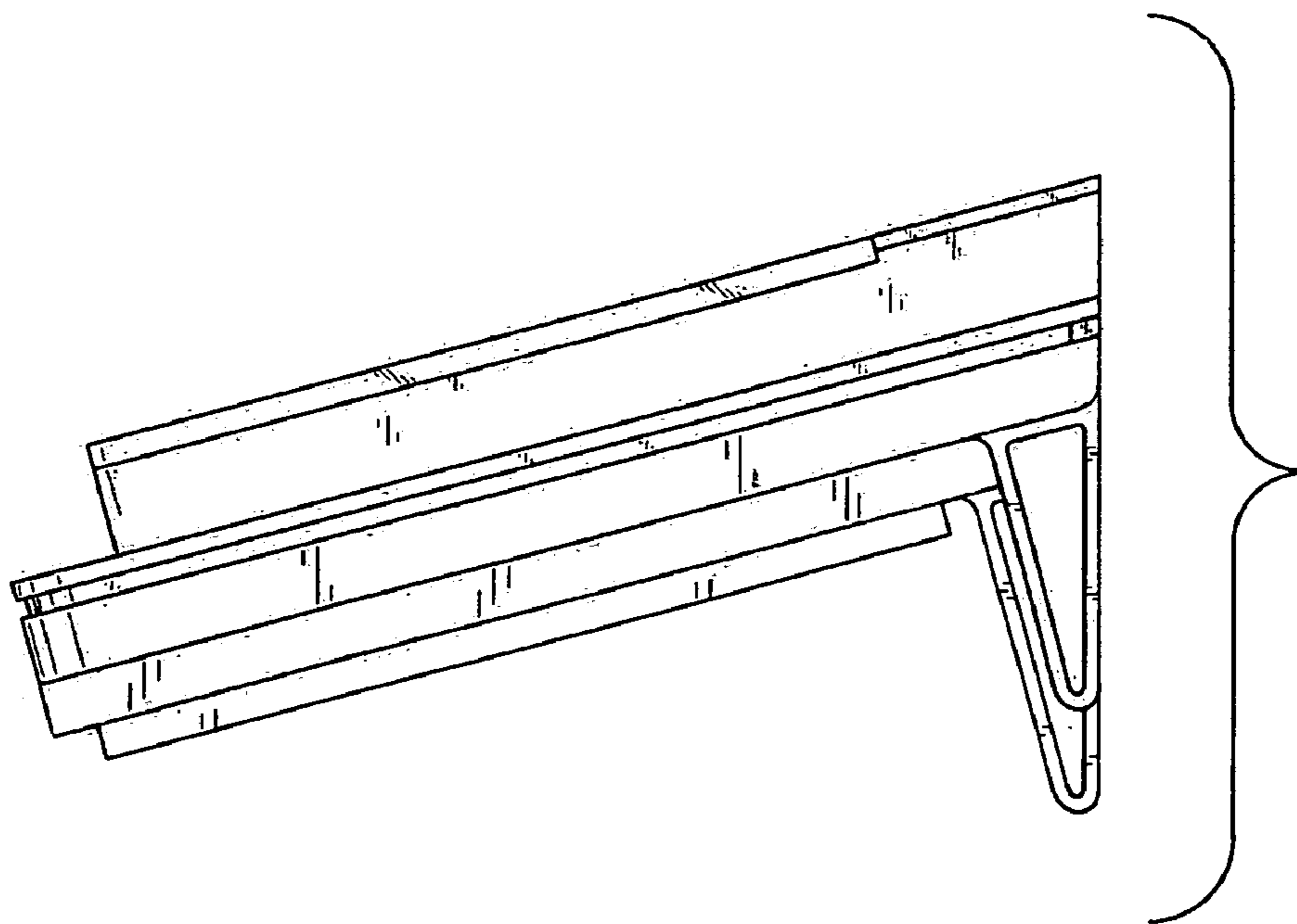


FIG. 4

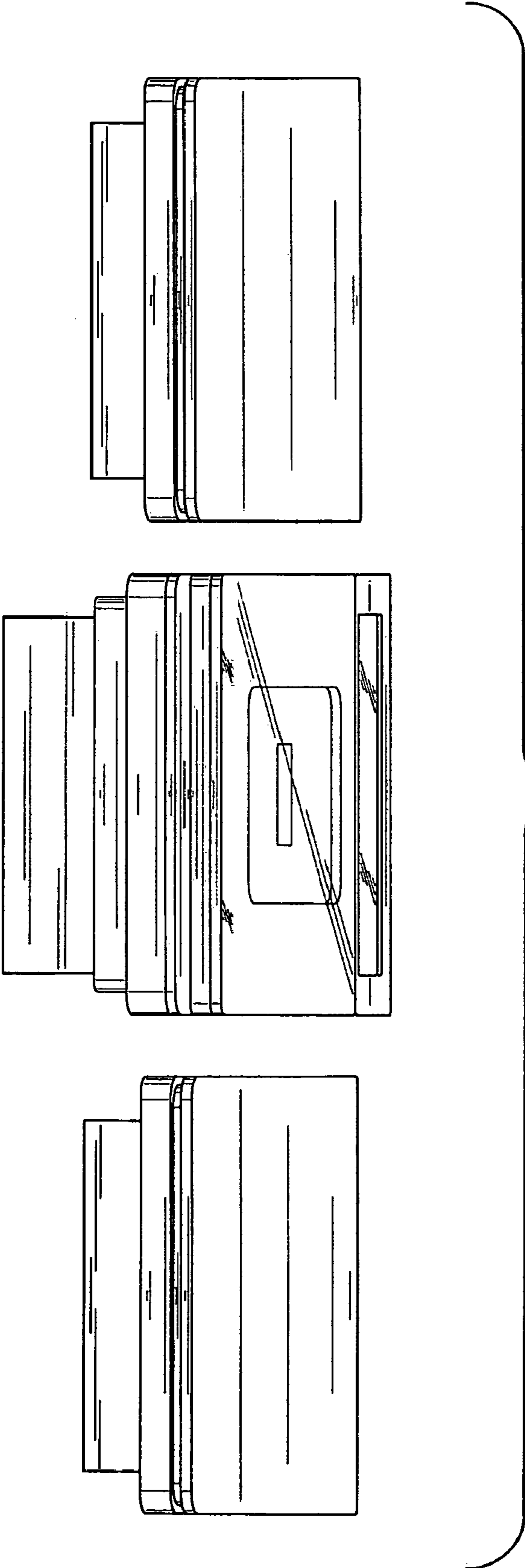


FIG. 6

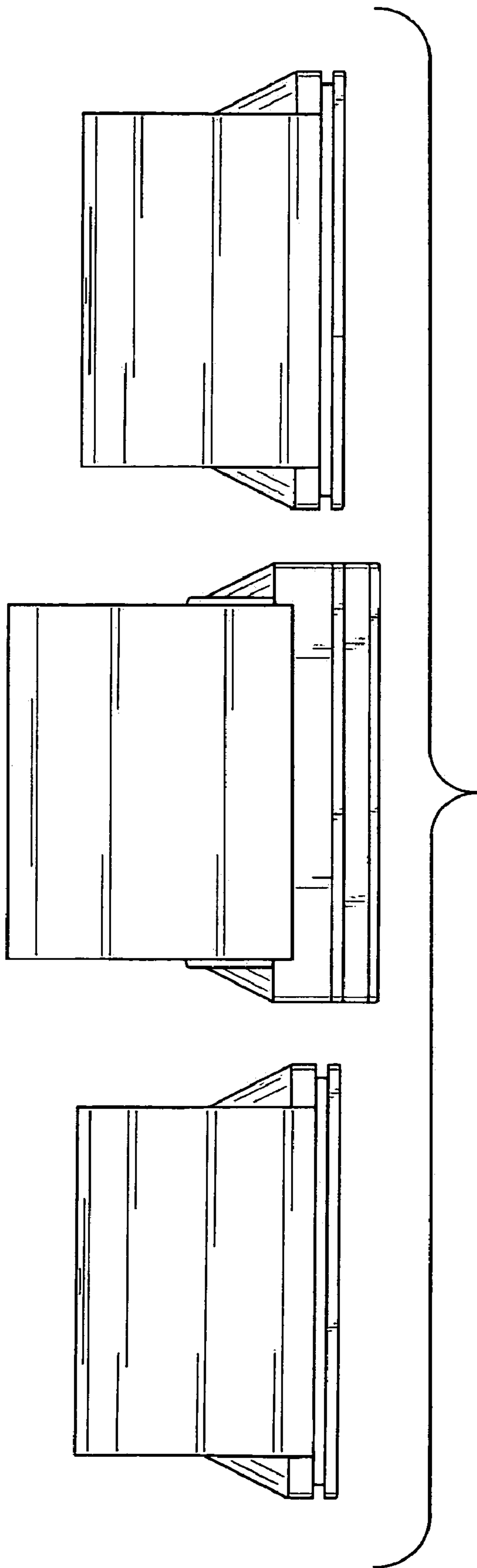


FIG. 7