



US00D602451S

(12) **United States Design Patent**
Gielen

(10) **Patent No.:** **US D602,451 S**

(45) **Date of Patent:** **** Oct. 20, 2009**

(54) **LED MODULE**

(75) Inventor: **Vincent Stefan David Gielen,**
Eindhoven (NL)

(73) Assignee: **Koninklijke Philips Electronics N.V.,**
Eindhoven (NL)

(**) Term: **14 Years**

(21) Appl. No.: **29/328,199**

(22) Filed: **Nov. 20, 2008**

(30) **Foreign Application Priority Data**

May 20, 2008 (EM) 000937149

(51) **LOC (9) Cl.** **13-03**

(52) **U.S. Cl.** **D13/180**

(58) **Field of Classification Search** D13/180;
D26/2; 257/79, 80, 81, 88, 89, 95, 98, 99,
257/100; 313/483, 498, 500; 362/555, 800
See application file for complete search history.

(56) **References Cited**

U.S. PATENT DOCUMENTS

D476,961 S * 7/2003 Horiuchi et al. D13/182

6,610,563 B1 * 8/2003 Waitl et al. 438/166
D491,899 S * 6/2004 Yagi D13/180
D517,027 S * 3/2006 Suenaga D13/180
7,078,728 B2 * 7/2006 Ishii et al. 257/79
7,238,967 B2 * 7/2007 Kuwabara et al. 257/98
D574,336 S * 8/2008 Okada et al. D13/180
D587,221 S * 2/2009 Tokuda D13/180
2002/0079837 A1 * 6/2002 Okazaki 313/512

* cited by examiner

Primary Examiner—Selina Sikder

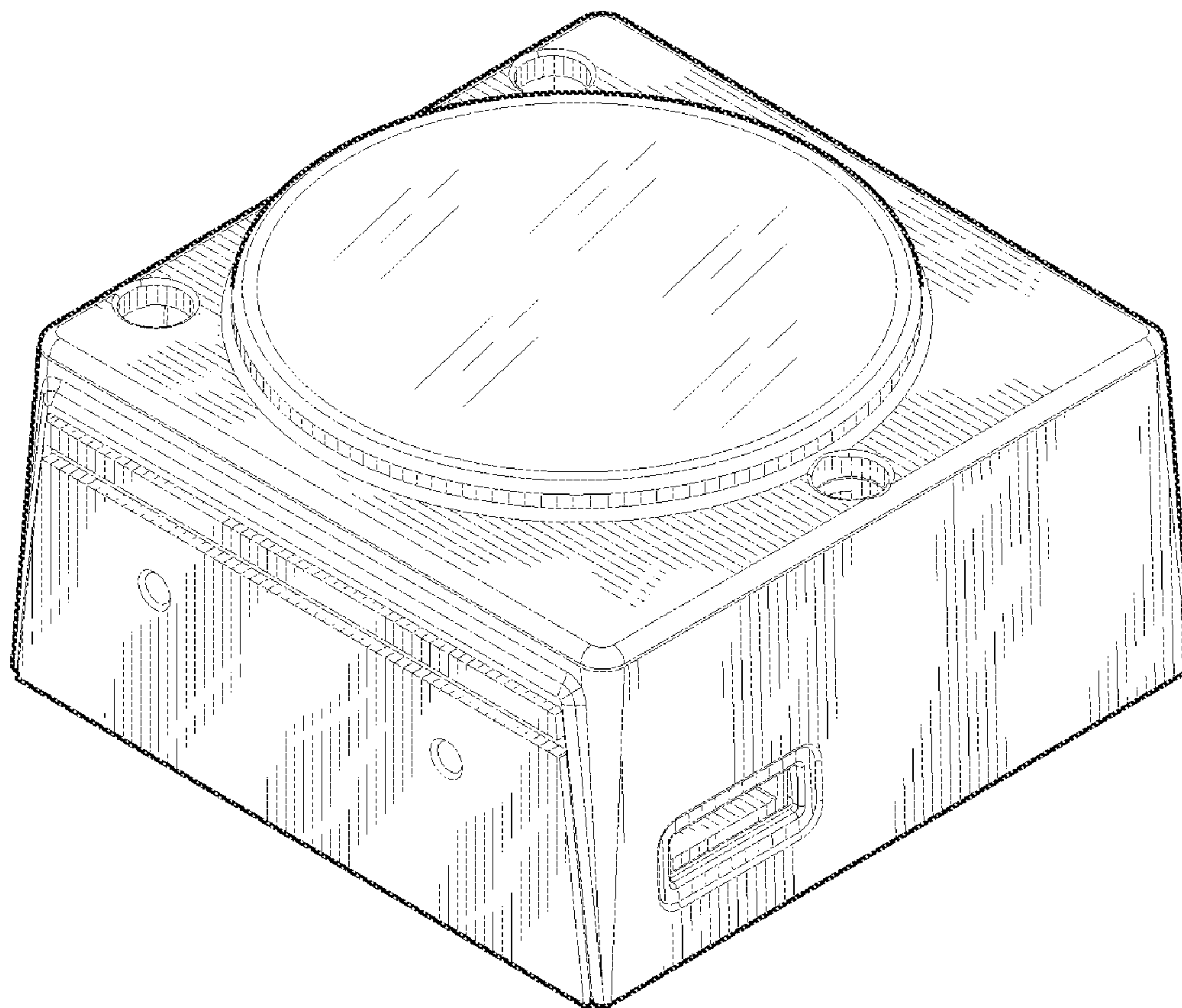
(57) **CLAIM**

The ornamental design for a LED module, as shown.

DESCRIPTION

FIG. 1 is a perspective view showing my design;
FIG. 2 is a front elevational view thereof;
FIG. 3 is a rear elevational view thereof;
FIG. 4 is a right side elevational view thereof;
FIG. 5 is a left side elevational view thereof;
FIG. 6 is a top plan view thereof; and,
FIG. 7 is a bottom plan view thereof.

1 Claim, 3 Drawing Sheets



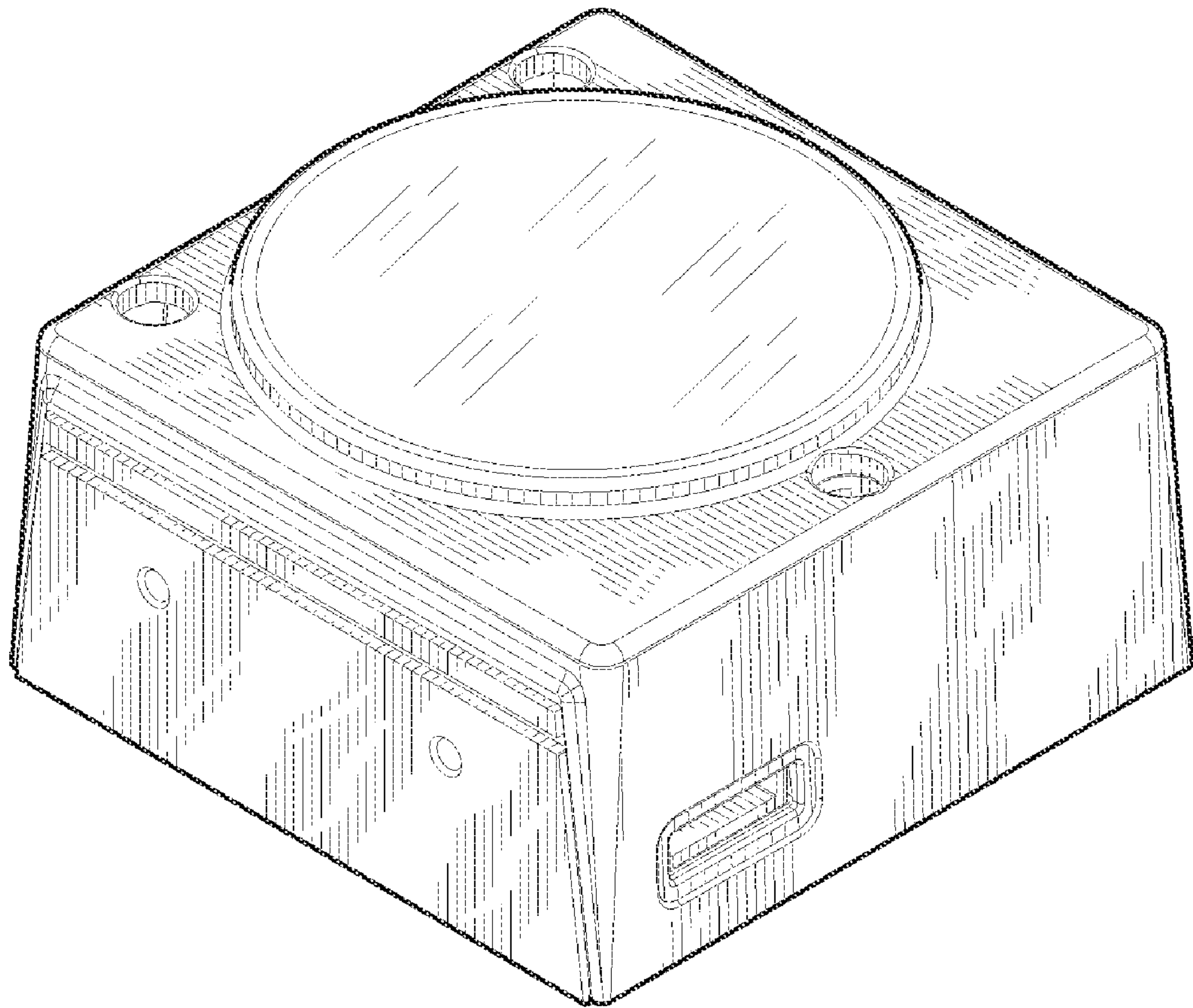


FIG. 1

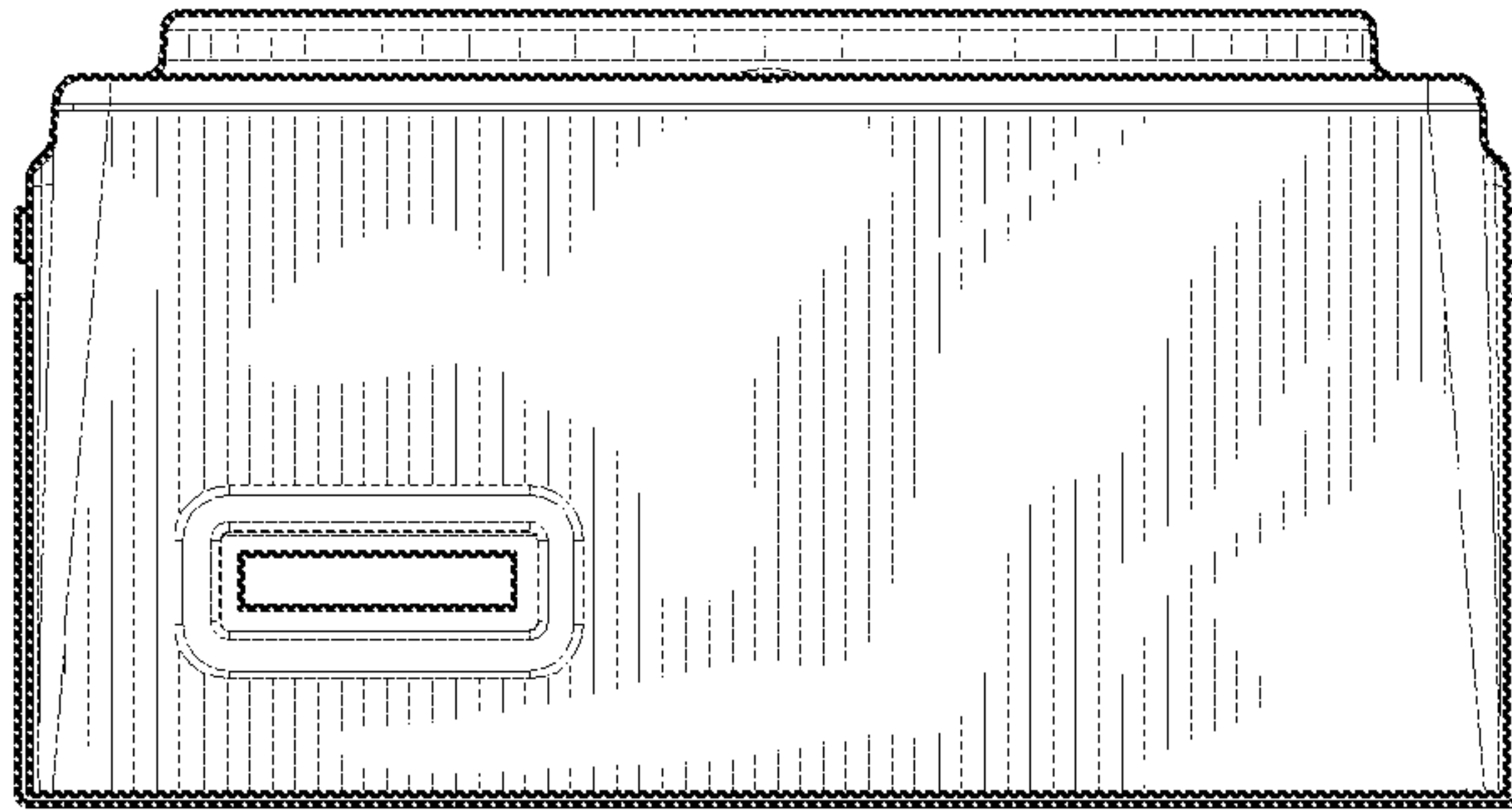


FIG. 2

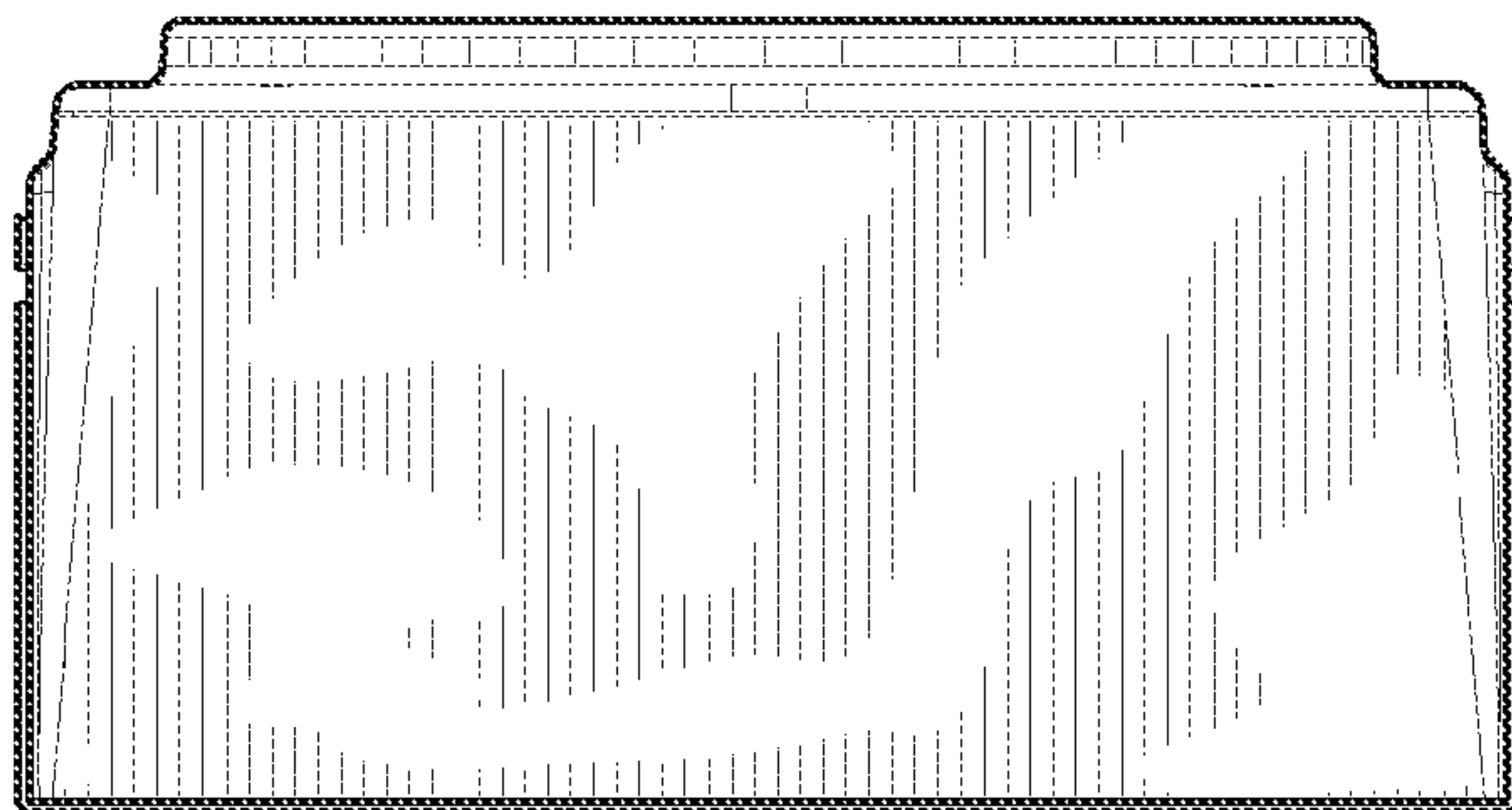


FIG. 3

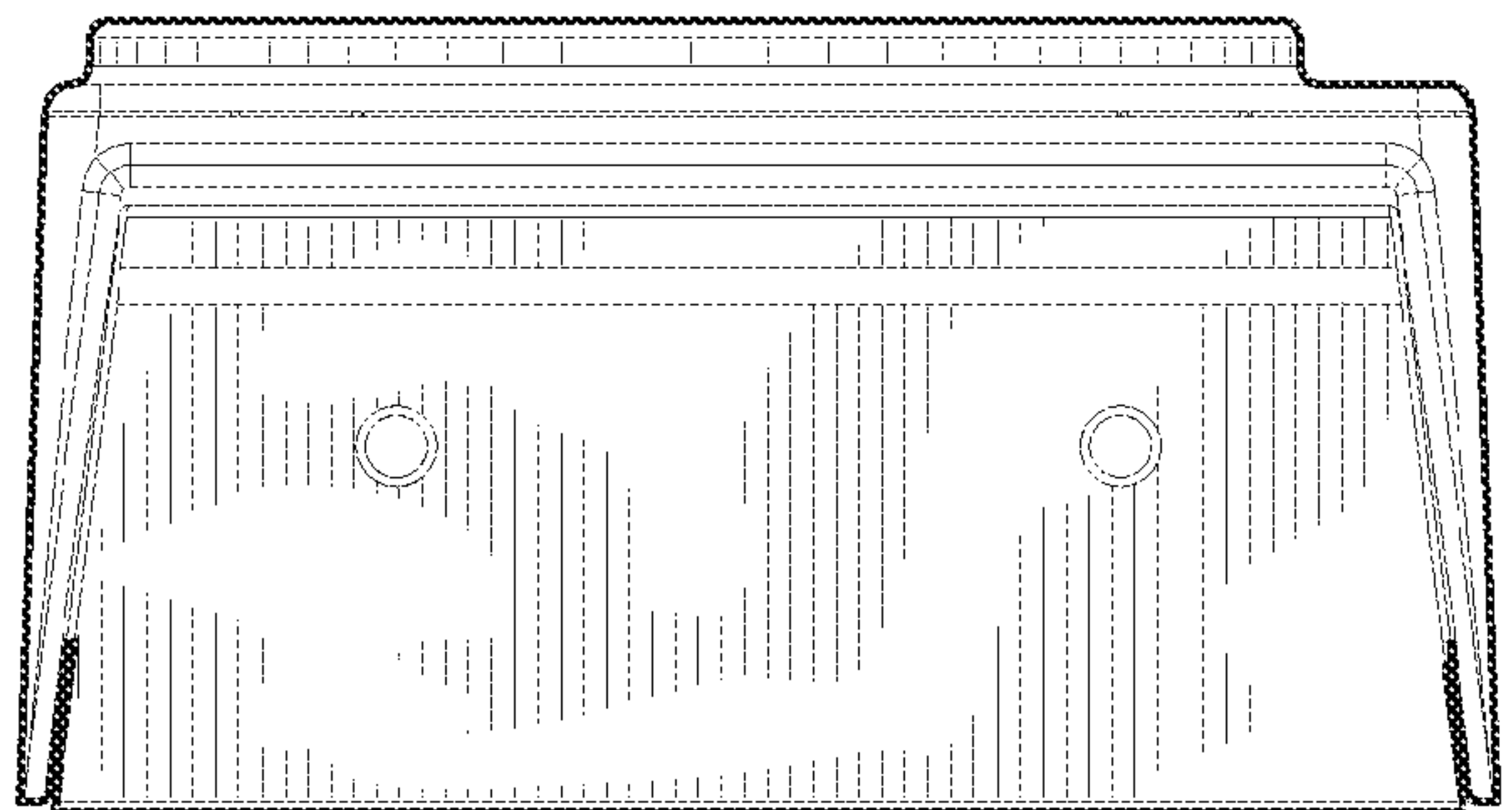


FIG. 4

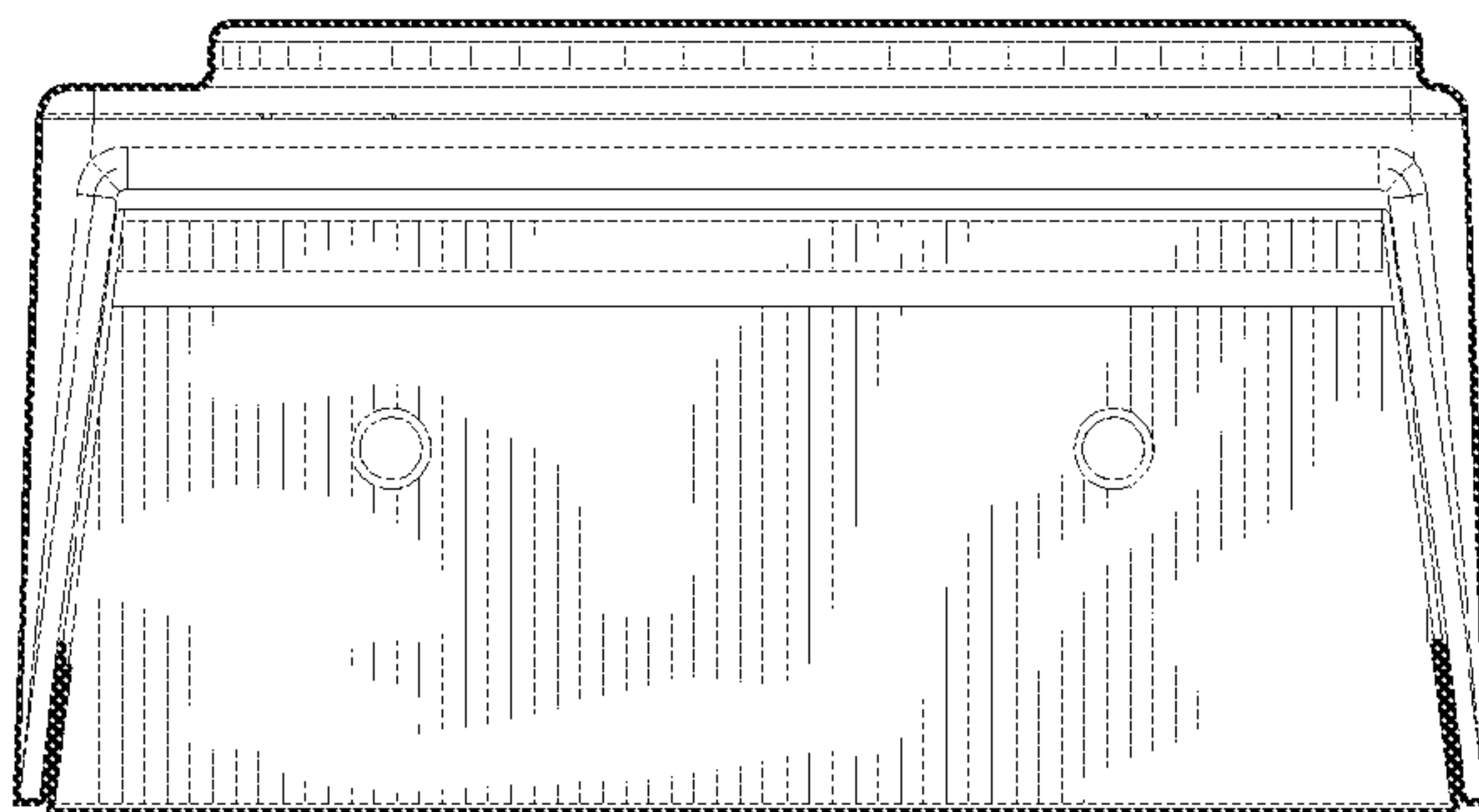


FIG. 5

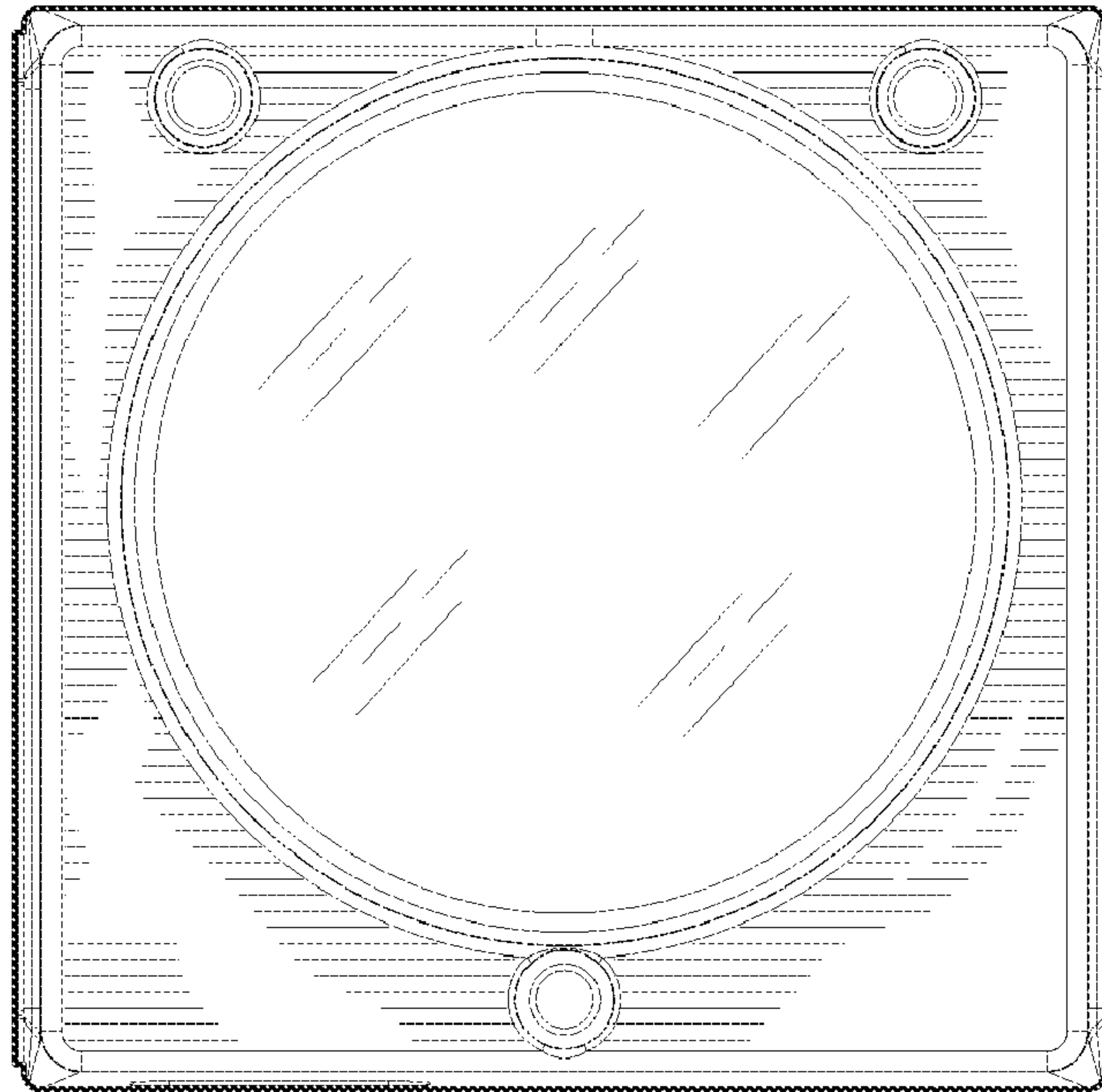


FIG. 6

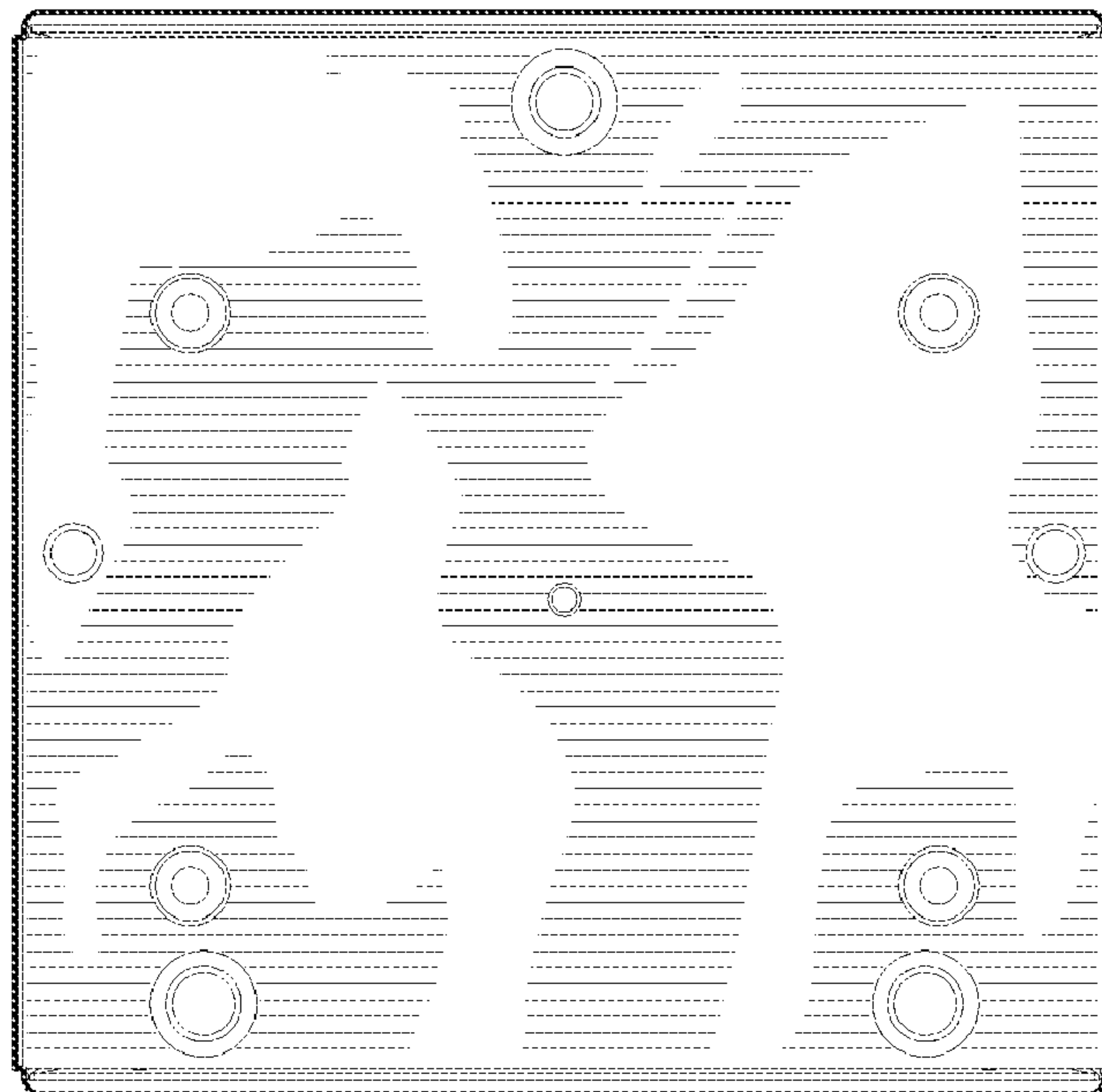


FIG. 7