



US00D602447S

(12) **United States Design Patent**
Sheng et al.

(10) **Patent No.:** **US D602,447 S**
(45) **Date of Patent:** **** Oct. 20, 2009**

(54) **HOUSING OF A LIGHT EMITTING DIODE PACKAGE**

TW 575349 2/2004

* cited by examiner

(75) Inventors: **Chung-Han Sheng**, Banciao (TW);
Yi-Wen Chen, Banciao (TW)

Primary Examiner—Selina Sikder
(74) *Attorney, Agent, or Firm*—Jianq Chyun IP Office

(73) Assignee: **Everlight Electronics Co., Ltd.**, Taipei (TW)

(57) **CLAIM**

(**) Term: **14 Years**

The ornamental design for a housing of a light emitting diode package, as shown and described.

(21) Appl. No.: **29/306,131**

DESCRIPTION

(22) Filed: **Apr. 3, 2008**

FIG. 1 is a perspective view of a housing of a light emitting diode package showing the new design;

(51) **LOC (9) Cl.** **13-03**

FIG. 2 is a front view thereof;

(52) **U.S. Cl.** **D13/180**

FIG. 3 is a rear view thereof wherein the broken line showing portion of the LED is for illustrative purpose only and forms no part of the claimed design;

(58) **Field of Classification Search** D13/180;
D26/2; 257/79, 80, 81, 88, 89, 95, 98, 99,
257/100; 313/483, 498, 500; 362/555, 800
See application file for complete search history.

FIG. 4 is a left side view thereof;

FIG. 5 is a right side view thereof; and,

(56) **References Cited**

FIG. 6 is a top view thereof, the bottom view being a mirror image of the top side view.

U.S. PATENT DOCUMENTS

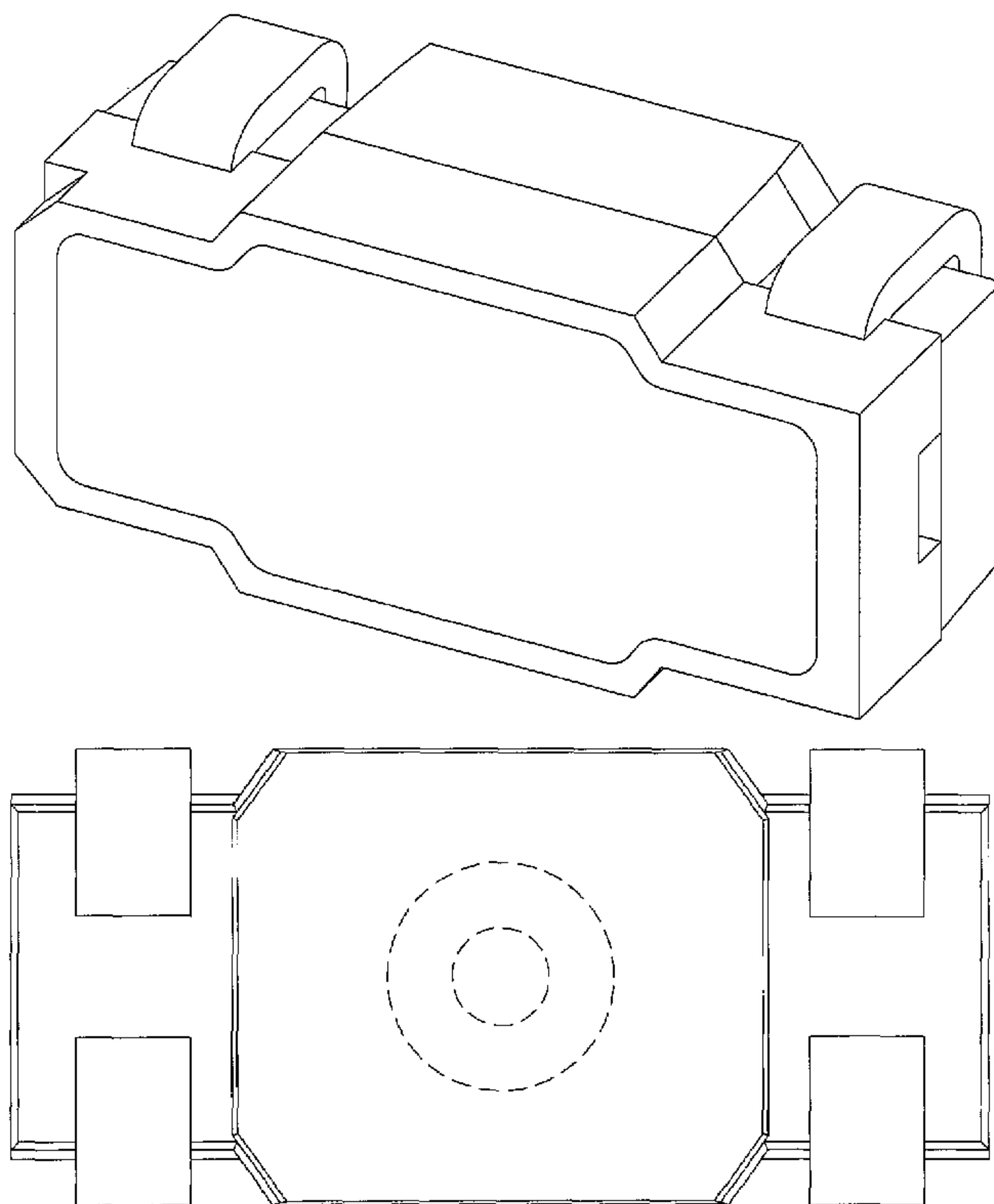
D528,999 S 9/2006 Cho et al.
D537,798 S 3/2007 Shin et al.
D558,156 S 12/2007 Yoon et al.
D578,491 S * 10/2008 Lee et al. D13/180
D593,515 S * 6/2009 Nakagawa D13/180

The claimed housing of a light emitting diode package includes a pair of leads. Both of the leads extend toward the rear side of the housing through two opposite sides of the housing and are not protruding out of the outer surfaces of the housing. Therefore, the housing is not only suitable for being used in a side view light emitting diode package but a top view light emitting diode package.

FOREIGN PATENT DOCUMENTS

JP D1261967 2/2006
JP D1288463 12/2006

1 Claim, 4 Drawing Sheets



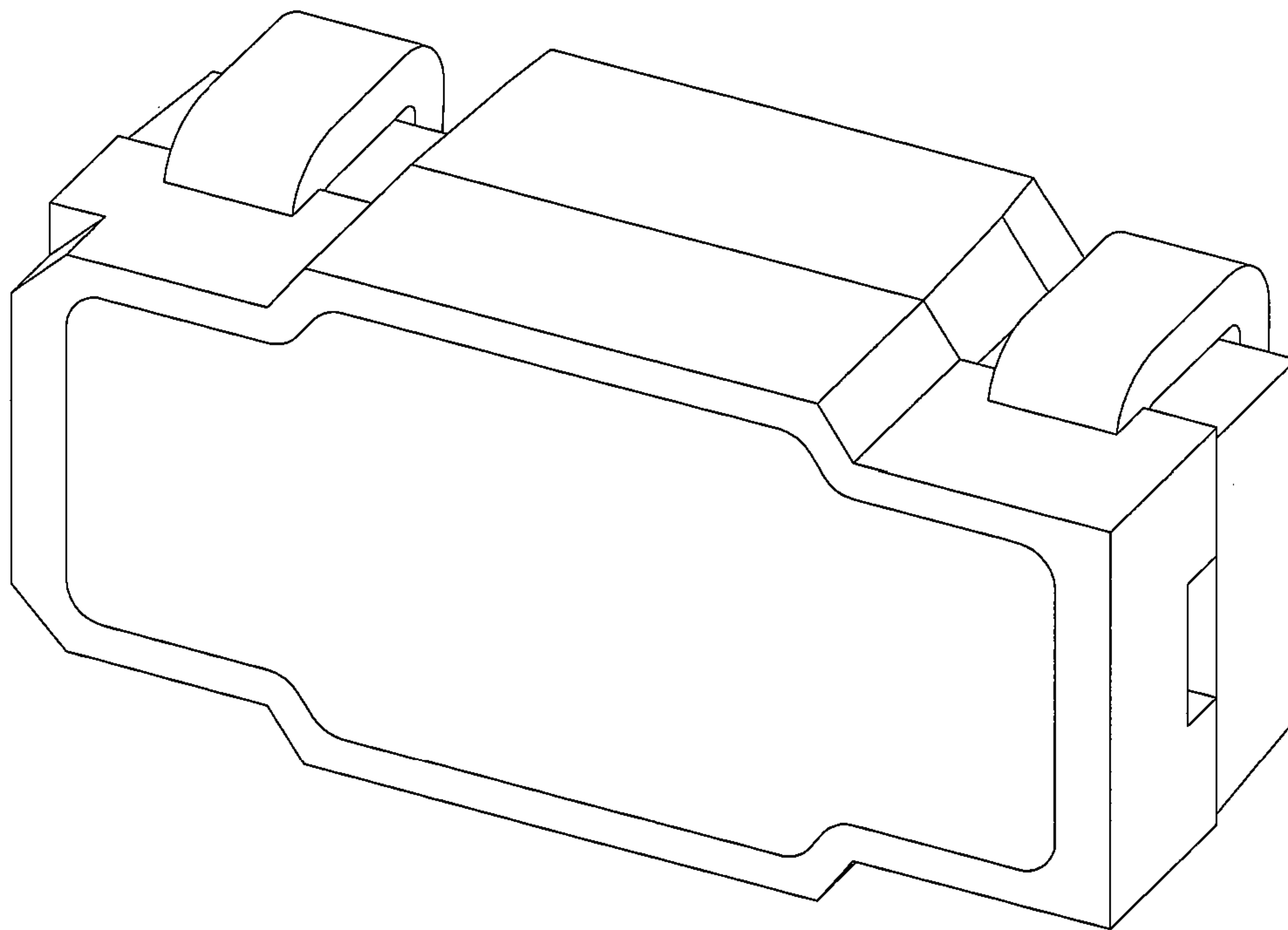


FIG. 1

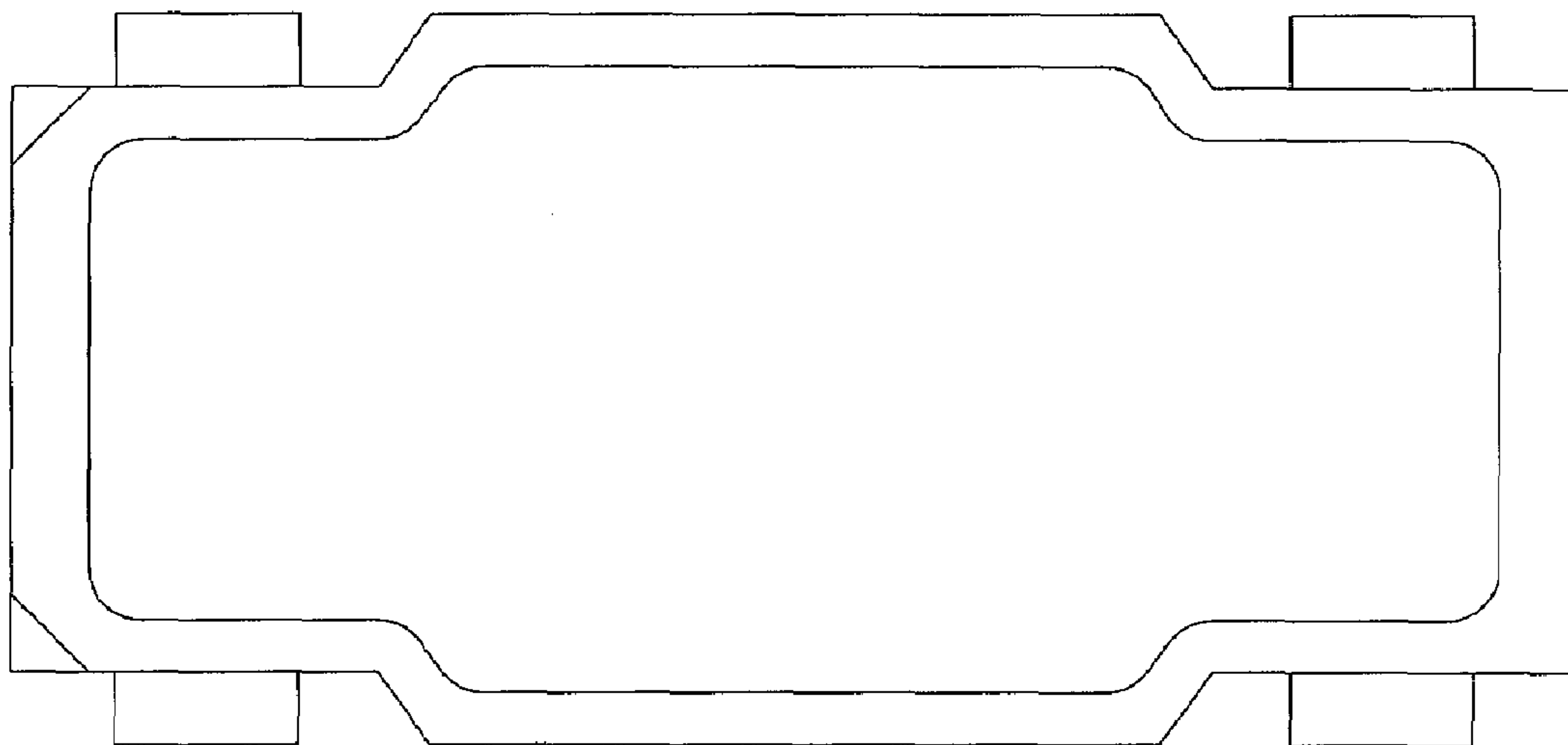


FIG. 2

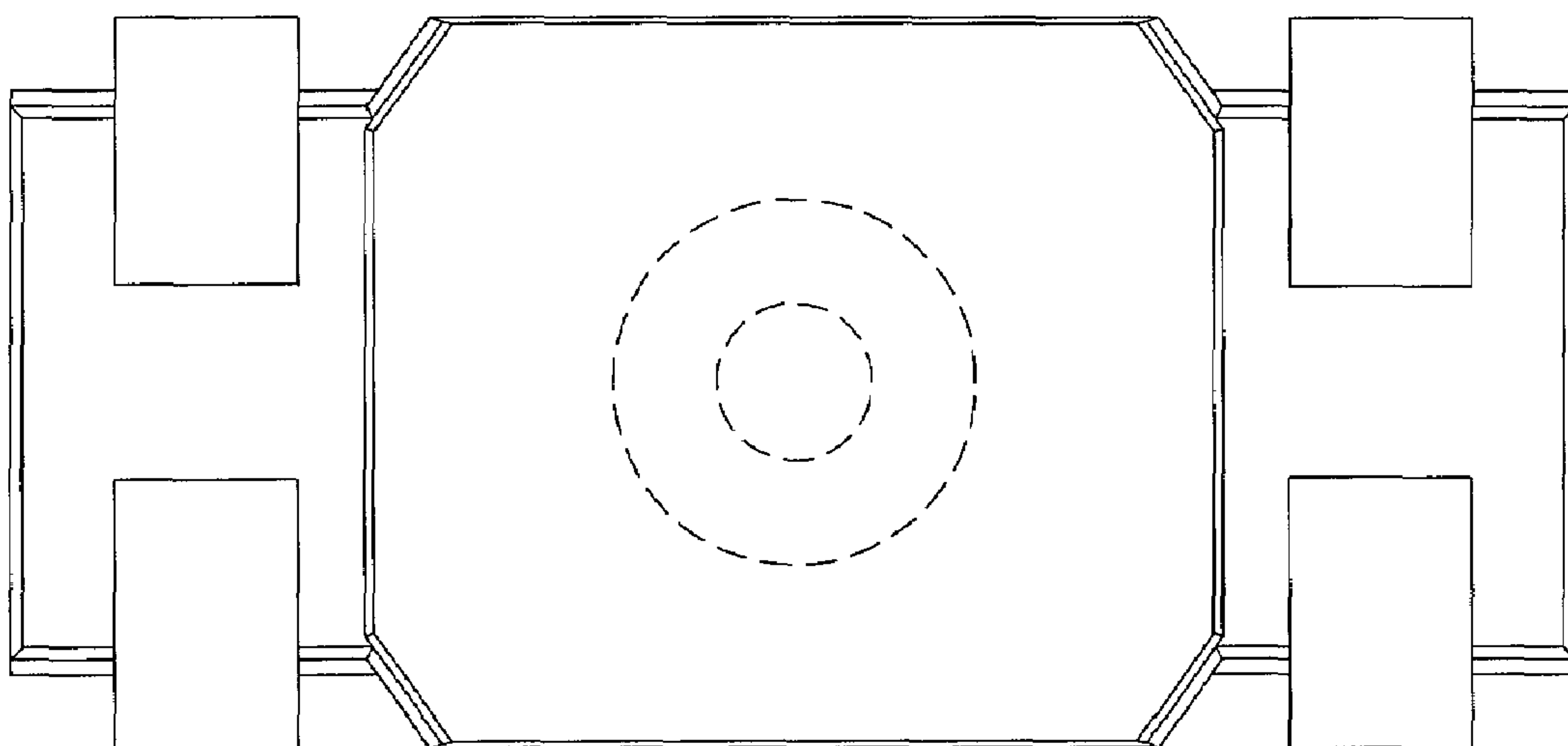


FIG. 3

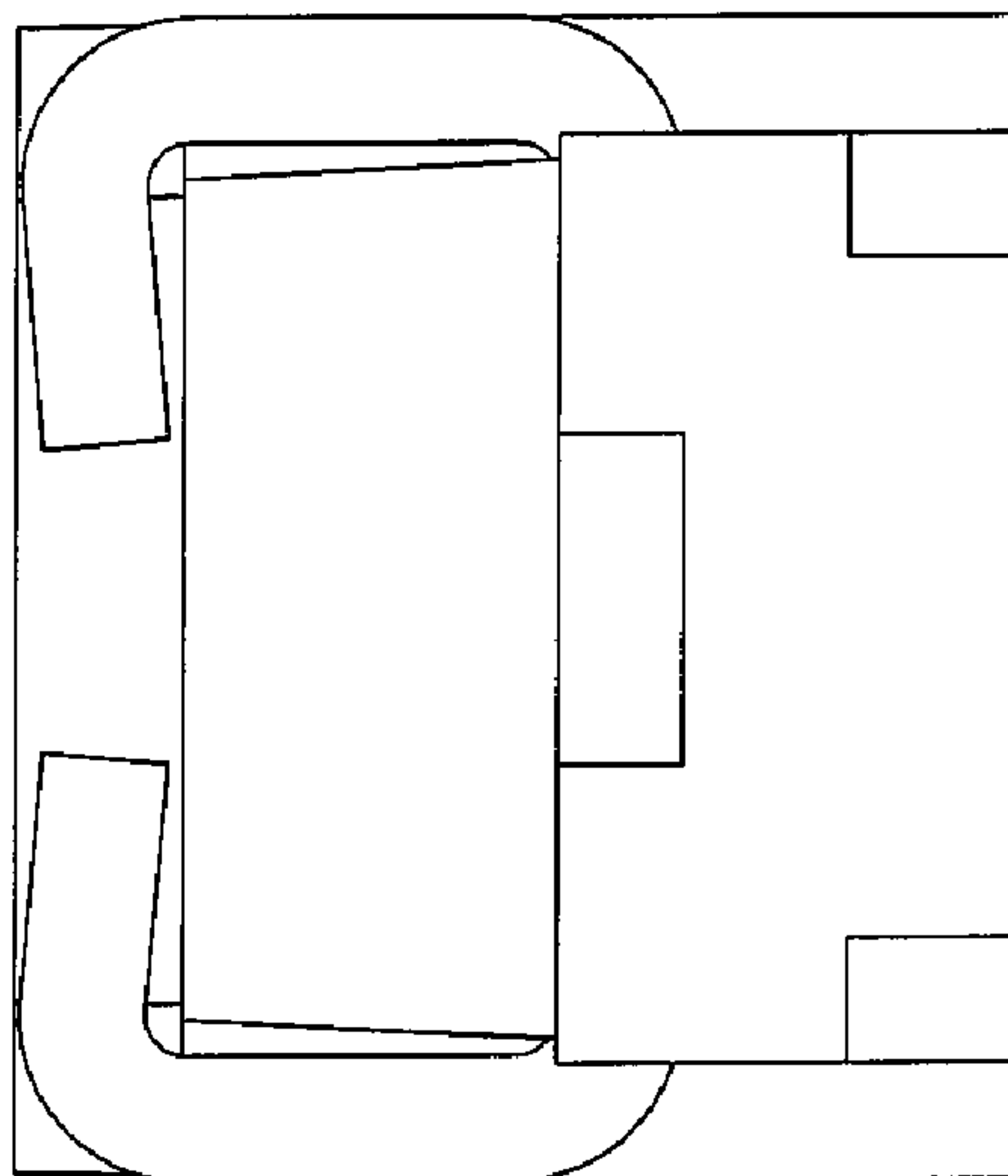


FIG. 4

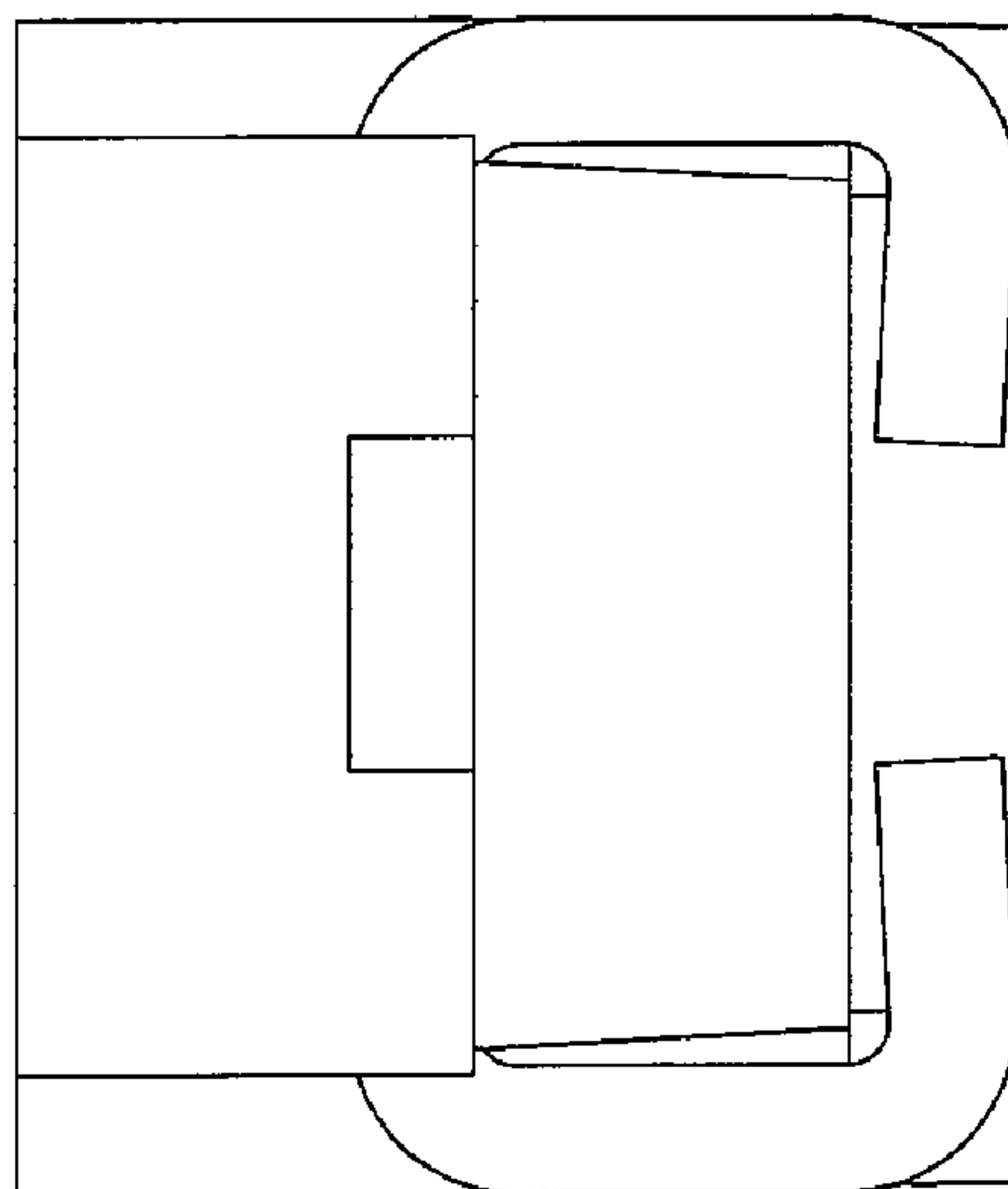


FIG. 5

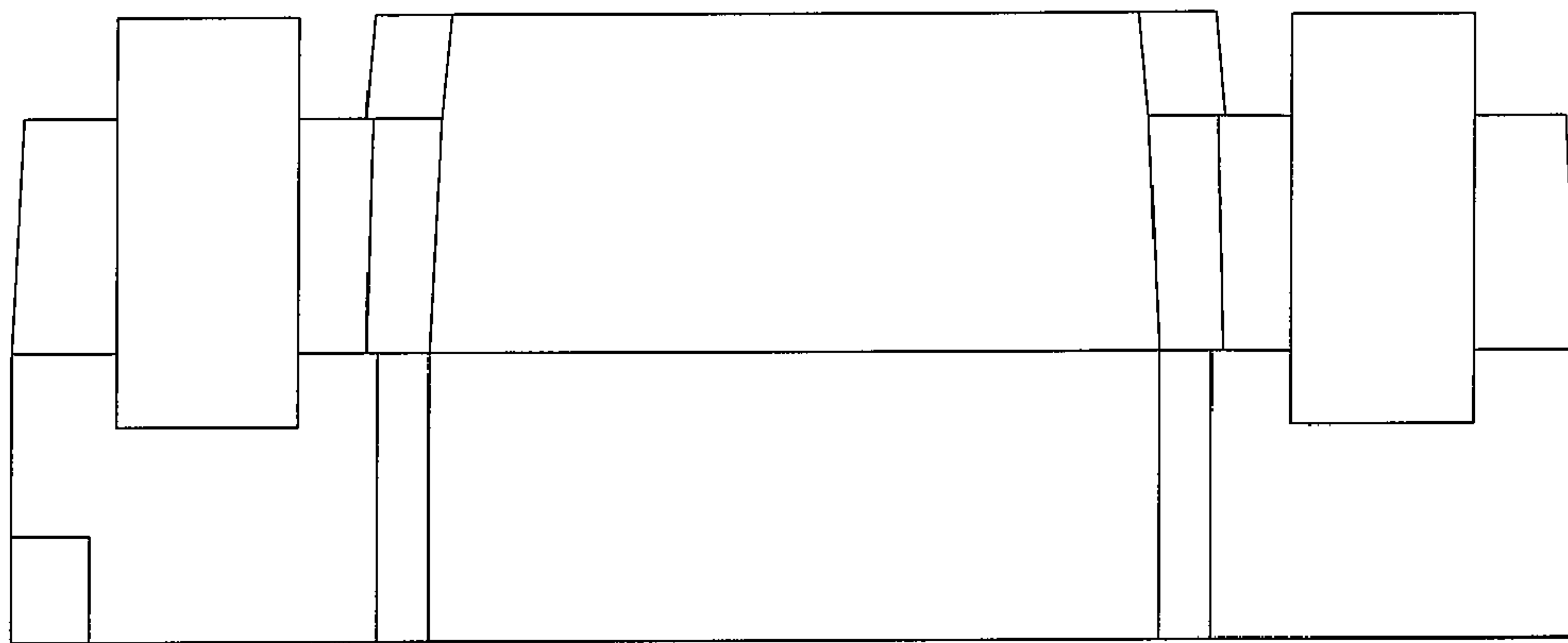


FIG. 6