



US00D602444S

(12) **United States Design Patent**  
**Arikawa et al.**

(10) **Patent No.:** **US D602,444 S**  
(45) **Date of Patent:** **\*\* Oct. 20, 2009**

(54) **FUSE**  
(75) Inventors: **Hiroo Arikawa**, Tokyo (JP); **Koh Ishimura**, Nasushiobara (JP); **Yoshitake Ohga**, Ohtawara (JP)

4,950,195 A \* 8/1990 Perreault et al. .... 439/830  
5,002,505 A \* 3/1991 Jones et al. .... 439/620.29  
6,837,755 B1 \* 1/2005 Kitajima et al. .... 439/830  
7,231,708 B1 \* 6/2007 Chandler et al. .... 29/623

(73) Assignee: **SOC Corporation**, Tokyo (JP)

FOREIGN PATENT DOCUMENTS  
JP 2005135845 A \* 5/2005

(\*\*) Term: **14 Years**

\* cited by examiner

(21) Appl. No.: **29/311,099**

*Primary Examiner*—Stella M Reid  
*Assistant Examiner*—Thomas J Johannes

(22) Filed: **Dec. 22, 2008**

(74) *Attorney, Agent, or Firm*—Jacobson Holman PLLC

(51) **LOC (9) Cl.** ..... **13-03**  
(52) **U.S. Cl.** ..... **D13/161**  
(58) **Field of Classification Search** ..... D13/160,  
D13/161, 178; 439/76.12, 621, 622, 698,  
439/830, 831, 832; 337/181, 186, 196, 199,  
337/205, 213; 361/600, 626, 642, 646, 833,  
361/834, 809, 835

(57) **CLAIM**

See application file for complete search history.

The ornamental design for a fuse, as shown and described.

(56) **References Cited**

**DESCRIPTION**

U.S. PATENT DOCUMENTS

3,744,003 A \* 7/1973 Dipace ..... 439/638  
4,017,816 A \* 4/1977 Latimer, Jr. .... 337/227  
RE30,862 E \* 2/1982 Mrenna et al. .... 439/831

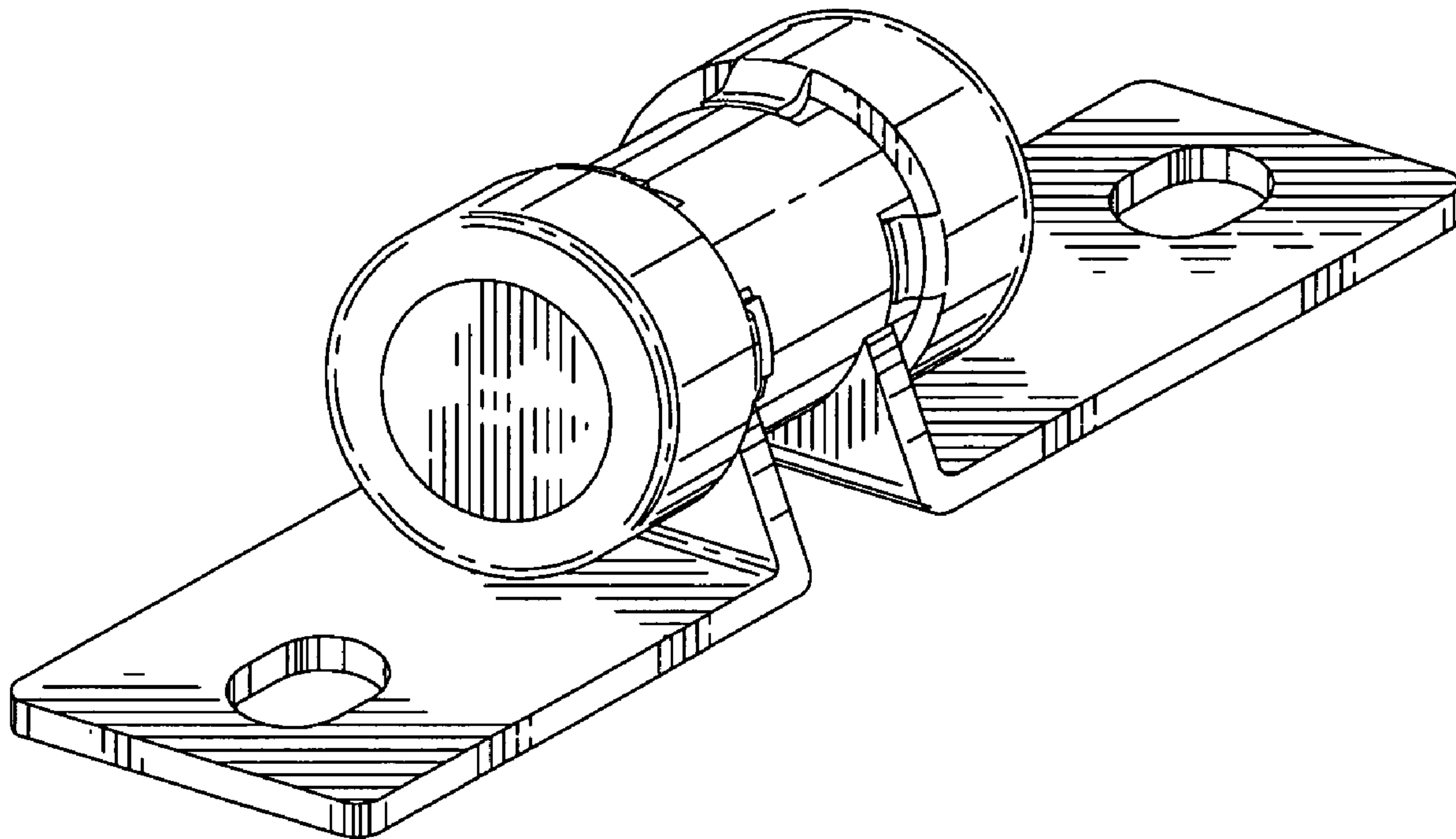
FIG. 1 is a perspective view of a fuse showing our new design.  
FIG. 2 is a left side view of the design of FIG. 1, the right side view being a mirror image thereof.

FIG. 3 is a top plan view of the design of FIG. 1.

FIG. 4 is a bottom plan view of the design of FIG. 1; and,

FIG. 5 is a front view of the design of FIG. 1, the rear view being a mirror image thereof.

**1 Claim, 2 Drawing Sheets**



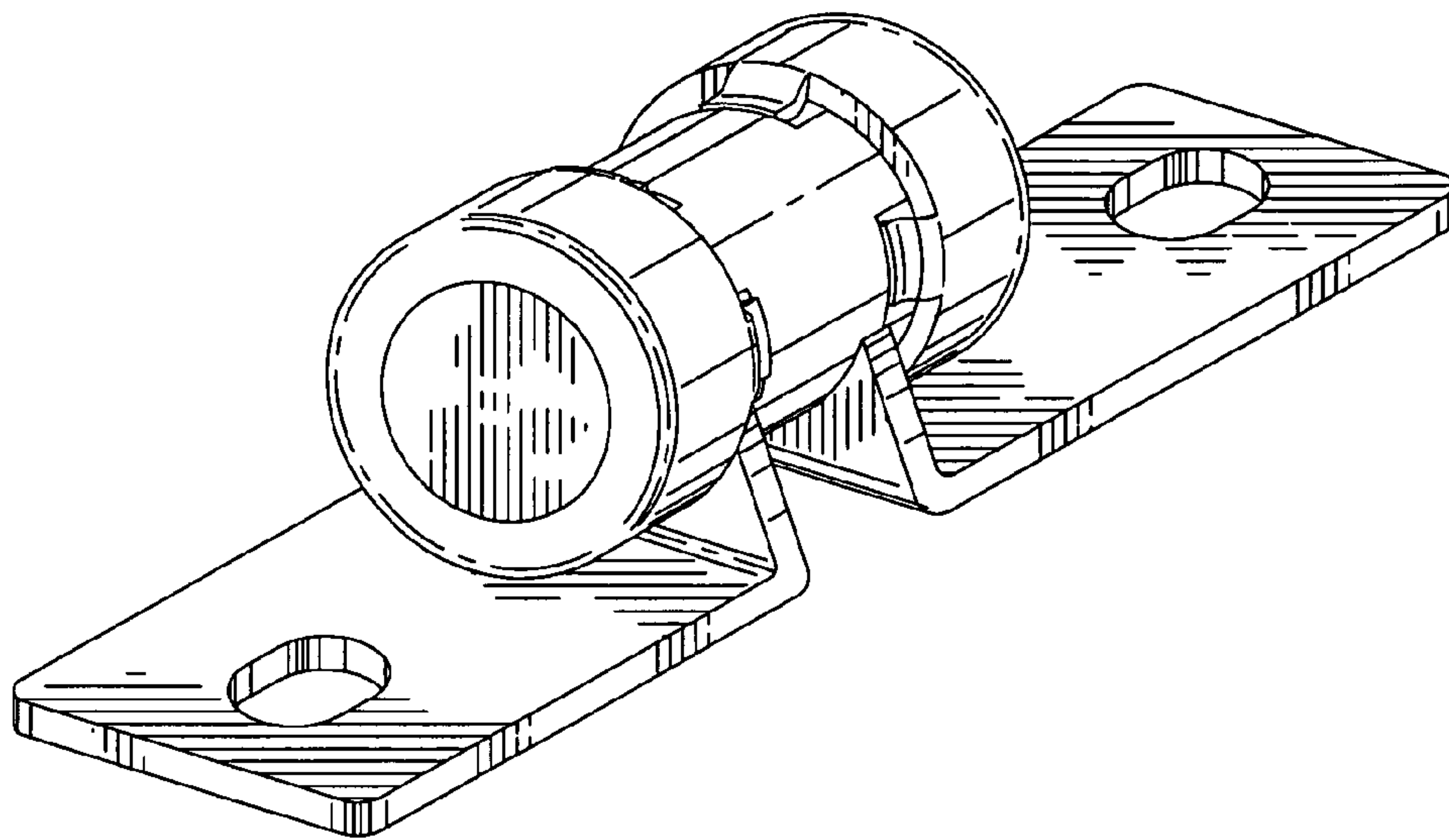


FIG. 1

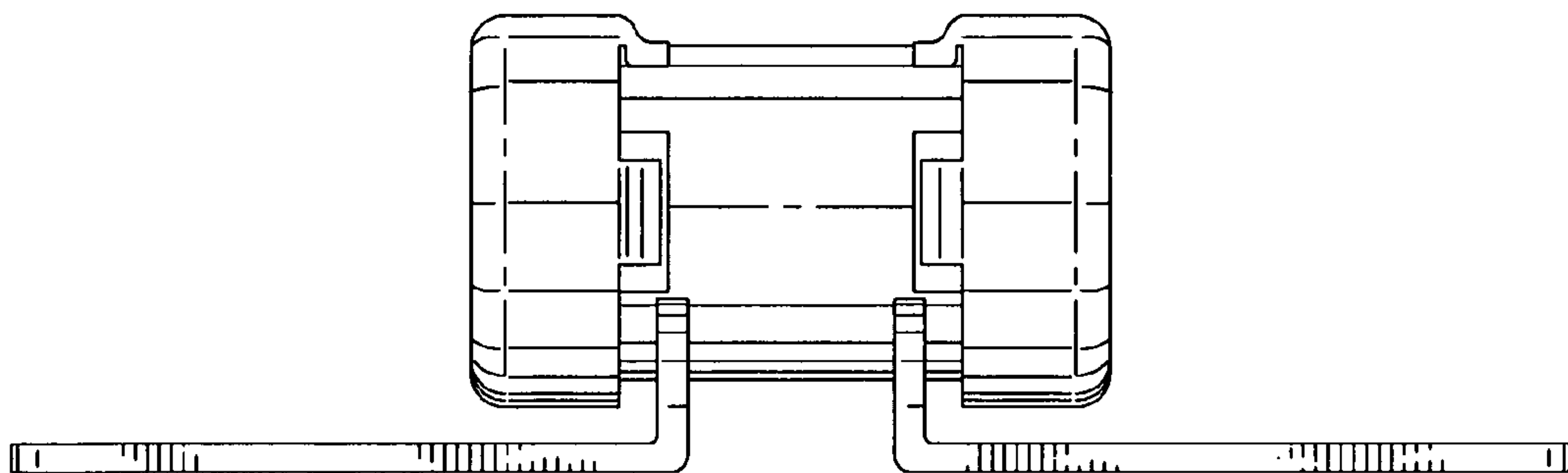


FIG. 2

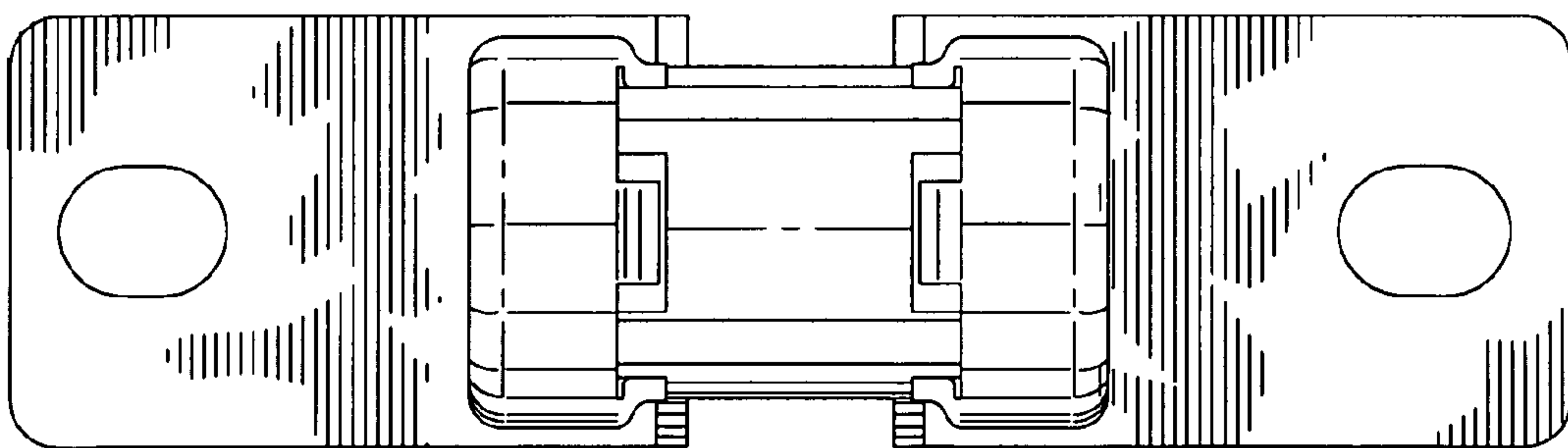


FIG. 3

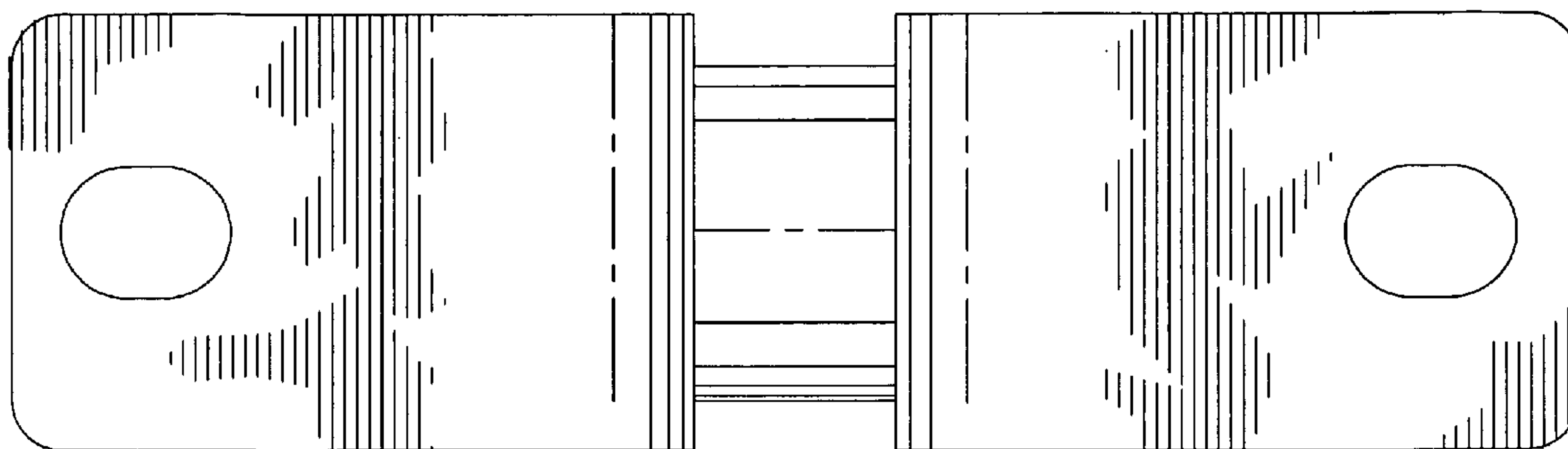


FIG. 4

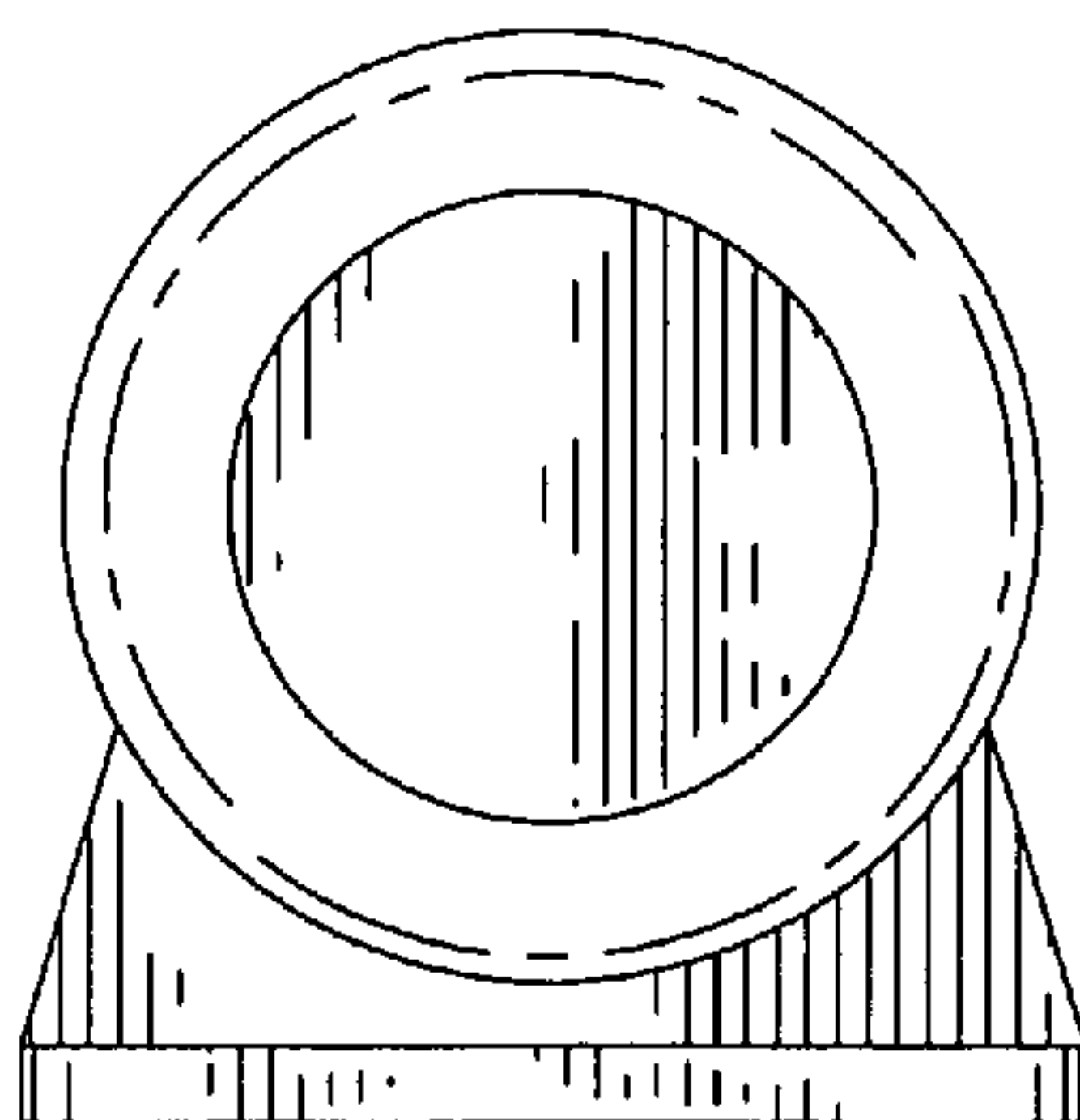


FIG. 5