



US00D602443S

(12) **United States Design Patent**
Maehara

(10) **Patent No.:** **US D602,443 S**

(45) **Date of Patent:** **** Oct. 20, 2009**

(54) **SWITCH**

(75) Inventor: **Masataka Maehara**, Tokyo (JP)

(73) Assignee: **SMK Corporation**, Tokyo (JP)

(**) Term: **14 Years**

(21) Appl. No.: **29/331,137**

(22) Filed: **Jan. 21, 2009**

(30) **Foreign Application Priority Data**

Aug. 27, 2008 (JP) D2008-021969

(51) **LOC (9) Cl.** **13-03**

(52) **U.S. Cl.** **D13/158**

(58) **Field of Classification Search** D13/158,
D13/169, 170, 171, 174, 184, 199; 200/1 B,
200/5 A, 6 R, 293, 297, 314, 315, 341, 344,
200/406, 513, 520, 523, 530

See application file for complete search history.

(56) **References Cited**

U.S. PATENT DOCUMENTS

2,464,184	A *	3/1949	Pearce	200/16 C
D288,555	S *	3/1987	Gemmell	D13/171
D462,666	S *	9/2002	Yamasaki et al.	D13/158
7,022,928	B2 *	4/2006	Watanabe et al.	200/406
D533,144	S *	12/2006	Asada	D13/171
D537,797	S *	3/2007	Yanai et al.	D13/171
D561,705	S *	2/2008	Tsudoku	D13/171
D568,256	S *	5/2008	Asada	D13/158

7,525,059 B2 * 4/2009 Masuda et al. 200/406

* cited by examiner

Primary Examiner—Daniel D Bui

Assistant Examiner—Thomas J Johannes

(74) *Attorney, Agent, or Firm*—Darby & Darby PC

(57) **CLAIM**

The ornamental design for a switch, as shown and described.

DESCRIPTION

FIG. 1 is a front elevation view of our new design for a switch;

FIG. 2 is a rear elevation view thereof;

FIG. 3 is a top plan view thereof;

FIG. 4 is a bottom plan view thereof;

FIG. 5 is a right-side elevation view thereof;

FIG. 6 is a left-side elevation view thereof;

FIG. 7 is a perspective view thereof, as seen from the bottom, front and right sides;

FIG. 8 is a perspective view thereof, as seen from the top, rear and left sides; and,

FIG. 9 is a perspective drawing illustrating the switch in use, as seen from the bottom, front and right sides.

The broken lines shown in the figure drawings are included for the purpose of illustrating environmental detail as well as unclaimed subject matter and form no part of the claimed design.

1 Claim, 4 Drawing Sheets

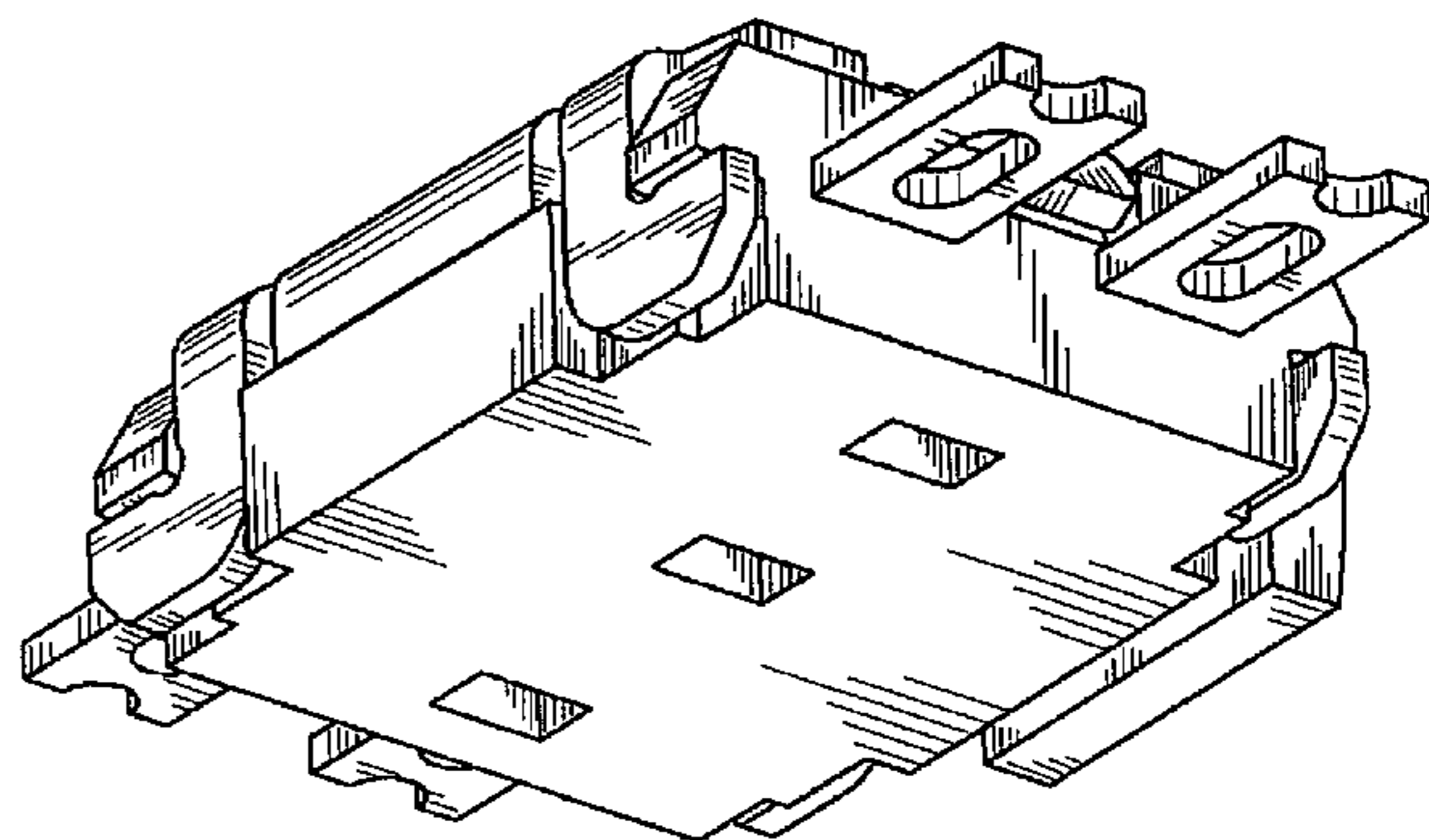
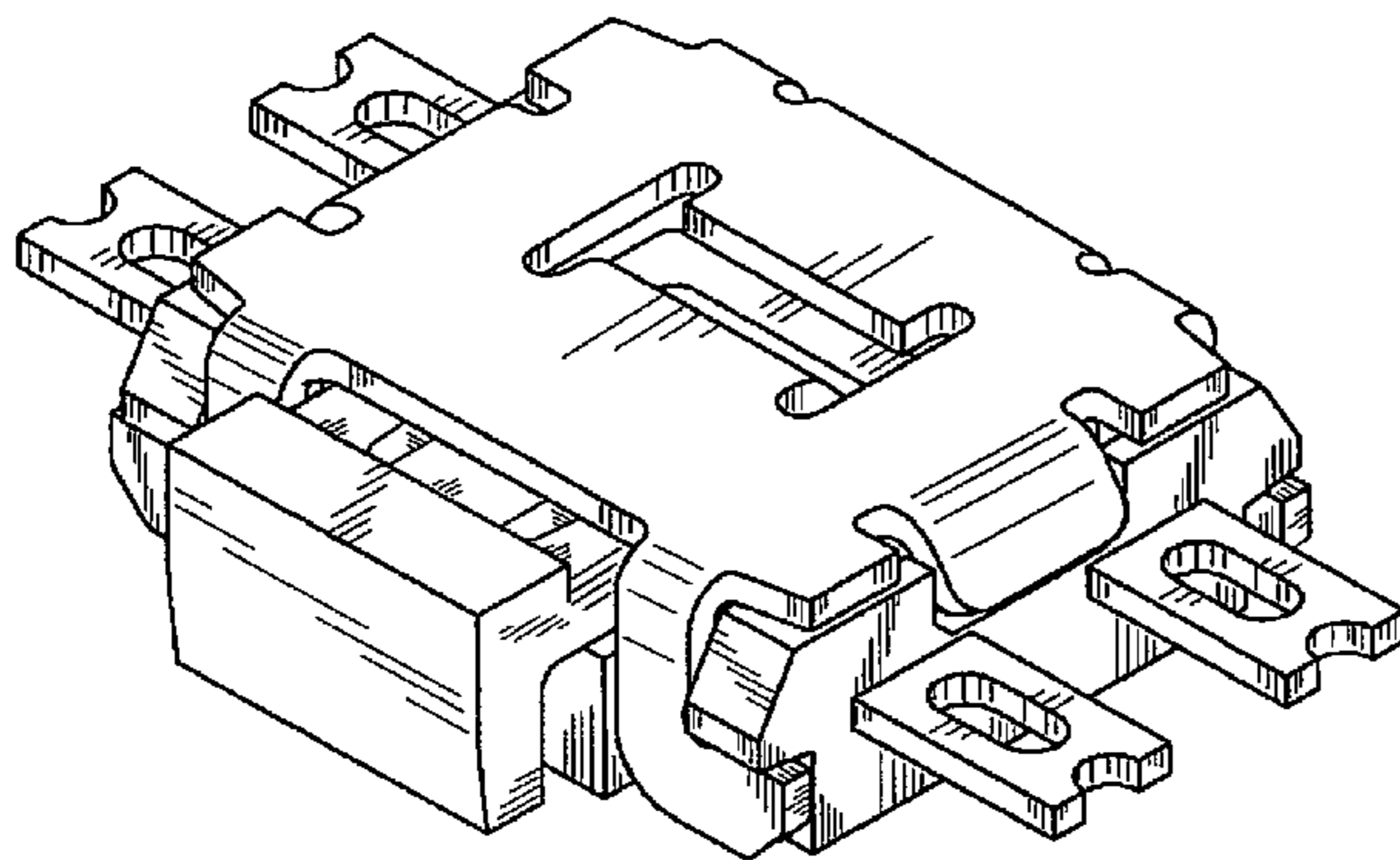


FIG. 1

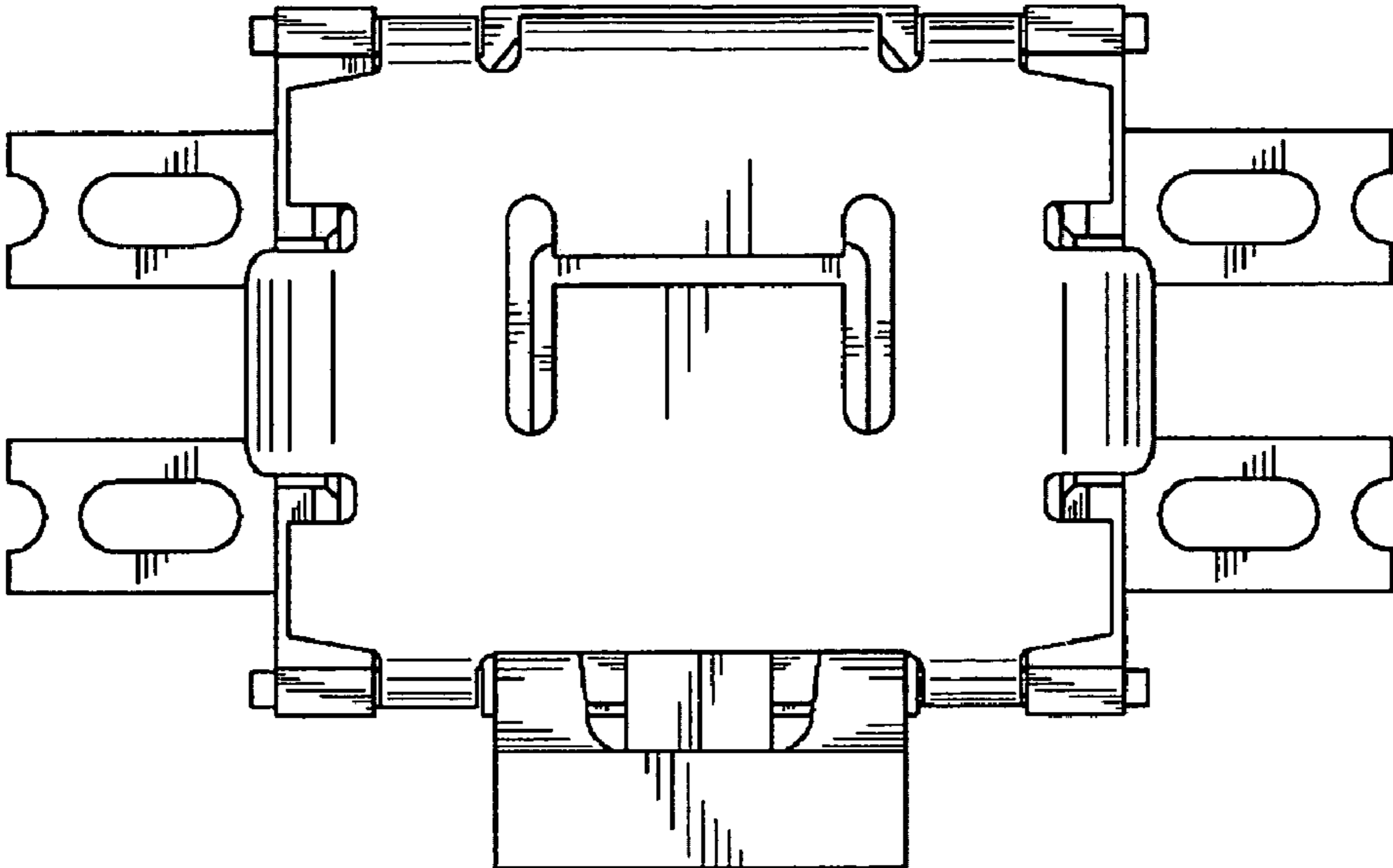


FIG. 2

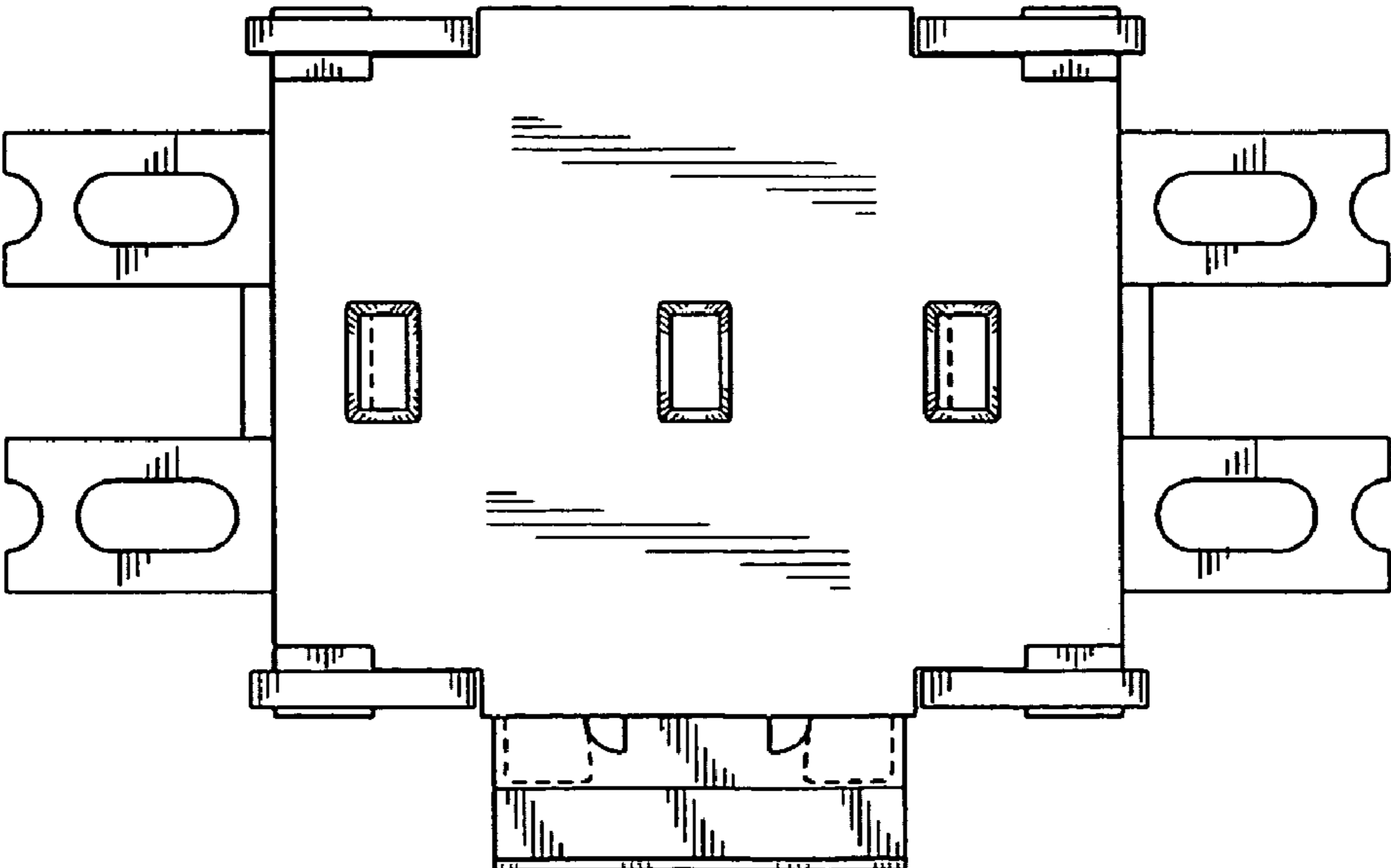


FIG. 3

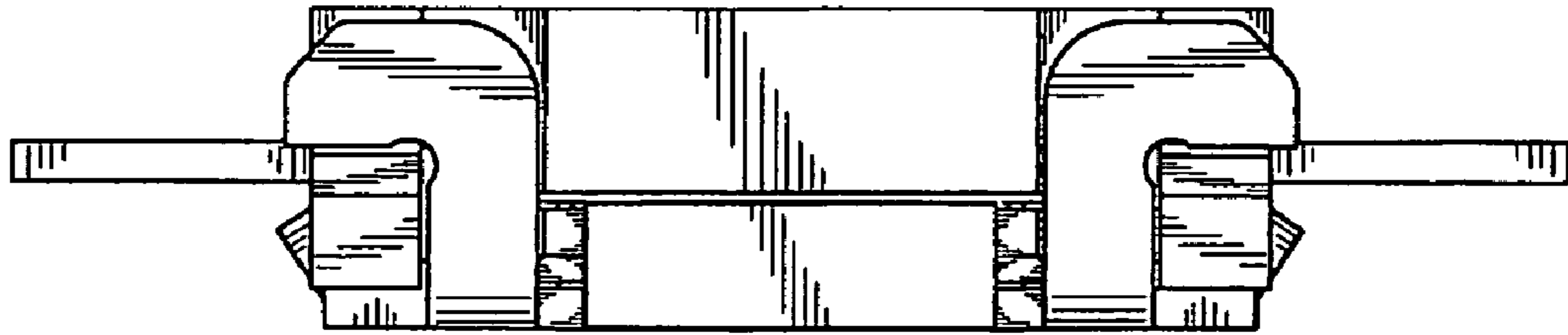


FIG. 4

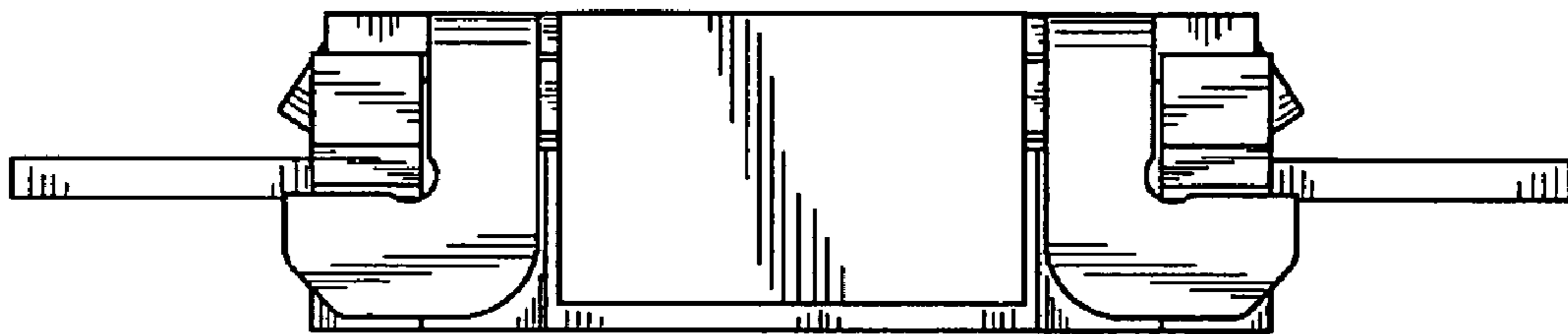


FIG. 5

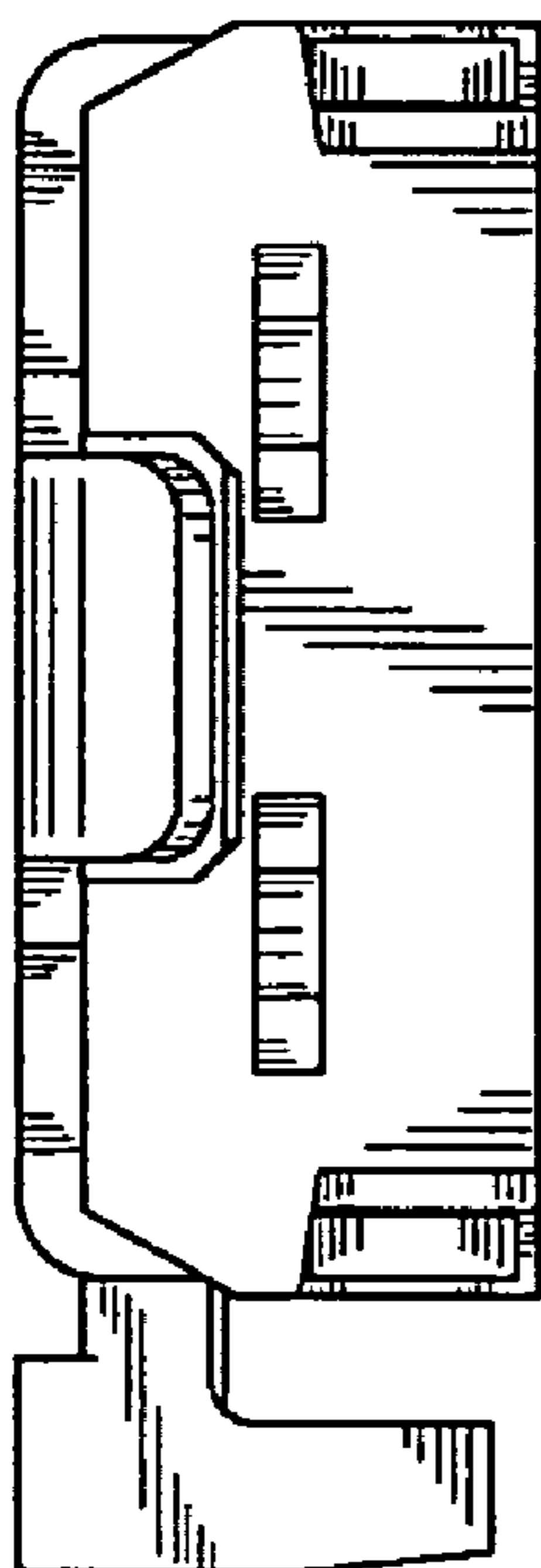


FIG. 6

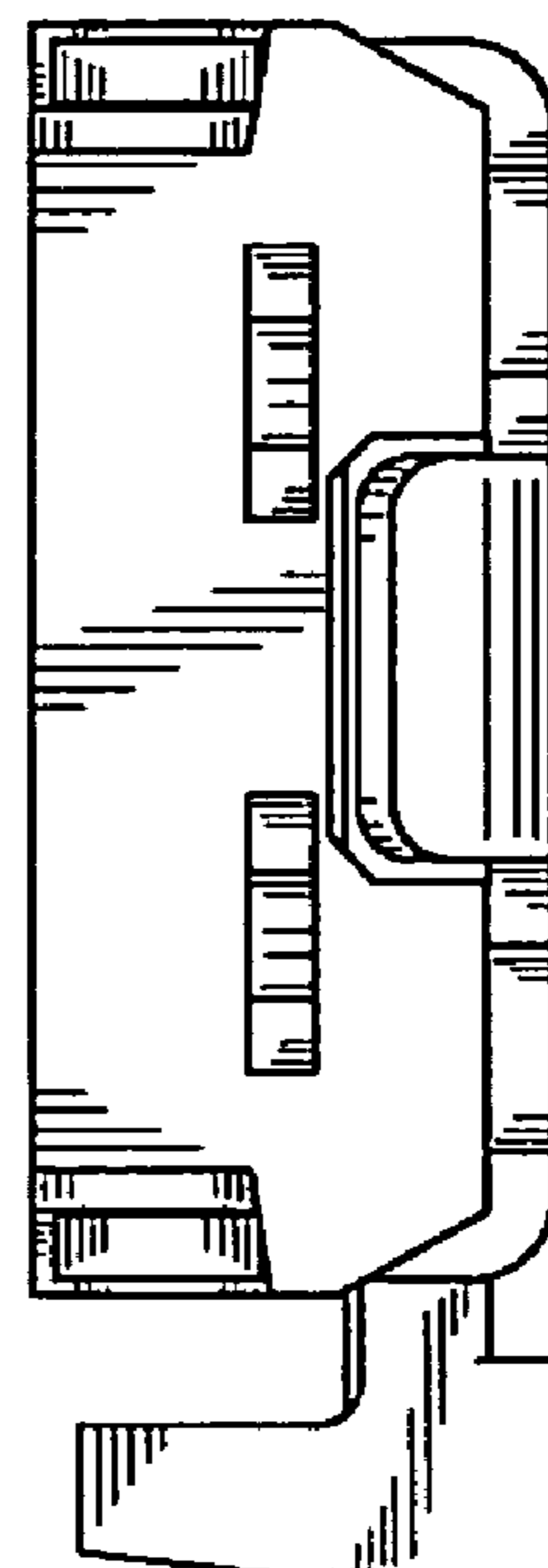


FIG. 7

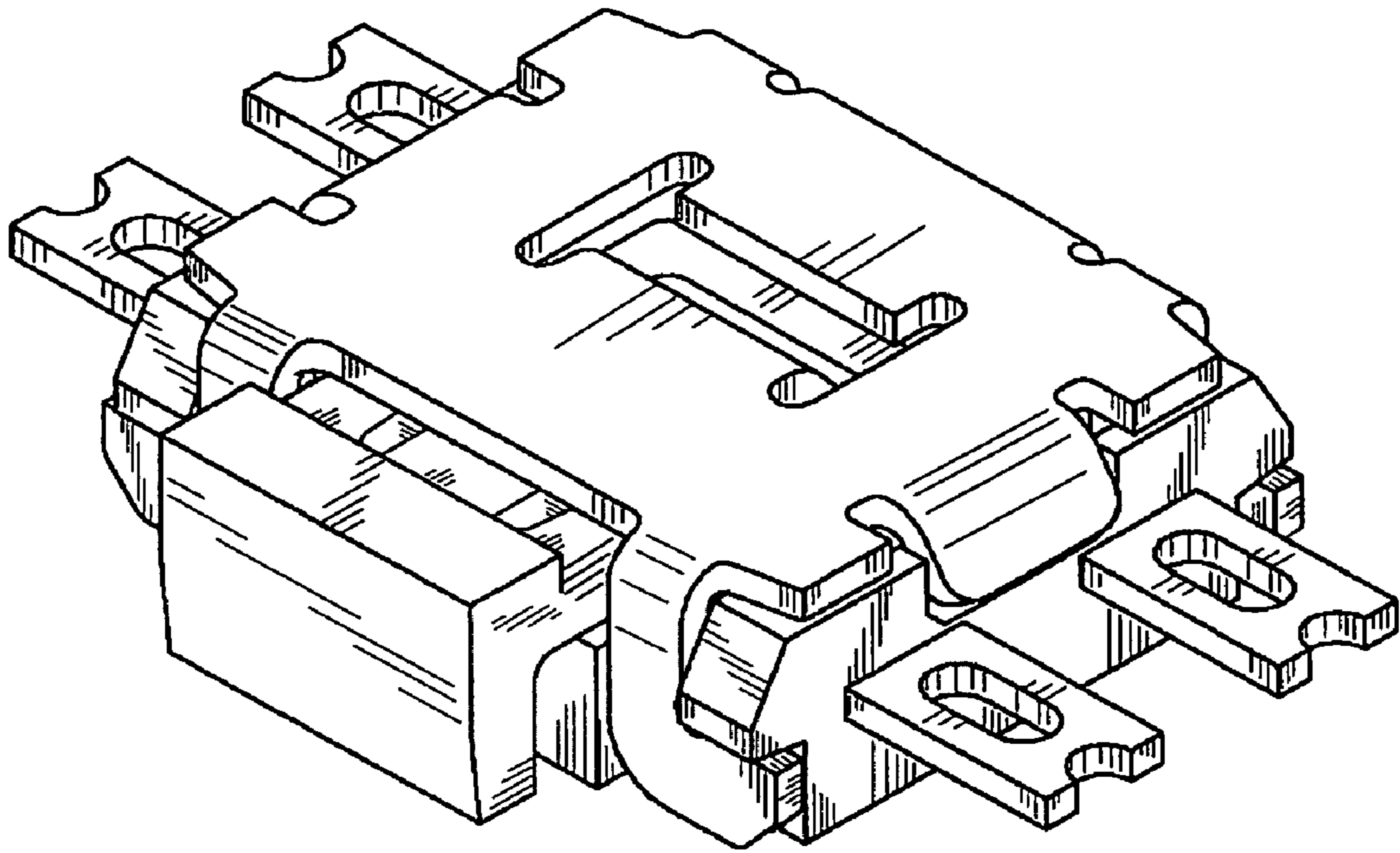


FIG. 8

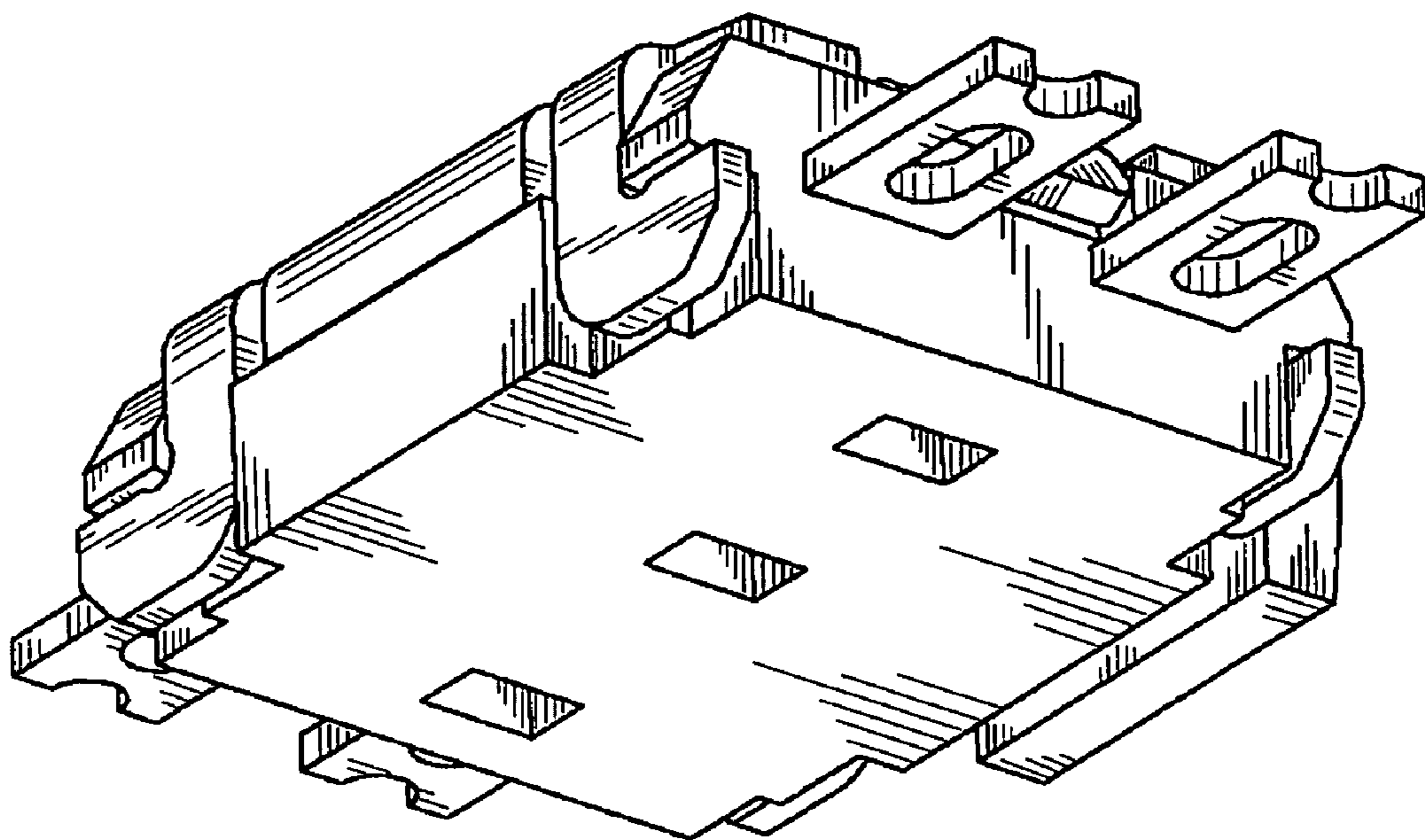


FIG. 9

