



US00D602441S

(12) **United States Design Patent**  
**Wu et al.**

(10) **Patent No.:** **US D602,441 S**  
(45) **Date of Patent:** **\*\* Oct. 20, 2009**

(54) **CABLE CONNECTOR ASSEMBLY**

D588,547 S \* 3/2009 Lee et al. .... D13/154  
D588,995 S \* 3/2009 Wu et al. .... D13/147  
D589,453 S \* 3/2009 Zhao et al. .... D13/147

(75) Inventors: **Xiao-Gang Wu**, Kunshan (CN);  
**Ping-Sheng Su**, Tu-Cheng (TW)

(73) Assignee: **Hon Hai Precision Ind. Co., Ltd.**,  
Taipei Hsien (TW)

\* cited by examiner

*Primary Examiner*—Daniel D Bui

(\*\*) Term: **14 Years**

(74) *Attorney, Agent, or Firm*—Wei Te Chung; Andrew C.  
Cheng; Ming Chieh Chang

(21) Appl. No.: **29/336,570**

(57) **CLAIM**

(22) Filed: **May 6, 2009**

The ornamental design for a cable connector assembly, as  
shown described.

(30) **Foreign Application Priority Data**

**DESCRIPTION**

Nov. 6, 2008 (CN) ..... 2008 3 0301830

(51) **LOC (9) Cl.** ..... **13-03**

FIG. 1 is a front, top and right side perspective view of the  
cable connector assembly, showing our new design;

(52) **U.S. Cl.** ..... **D13/147**

FIG. 2 is a front elevation view thereof;

(58) **Field of Classification Search** ..... D13/110,  
D13/123, 133, 146–147, 154, 184; D14/432,  
D14/433, 435; 439/350, 352, 357–359, 362,  
439/607–610, 660, 677, 680–682, 686

FIG. 3 is a rear elevation view thereof;

See application file for complete search history.

FIG. 4 is a left side elevation view thereof;

FIG. 5 is a right side elevation view thereof;

(56) **References Cited**

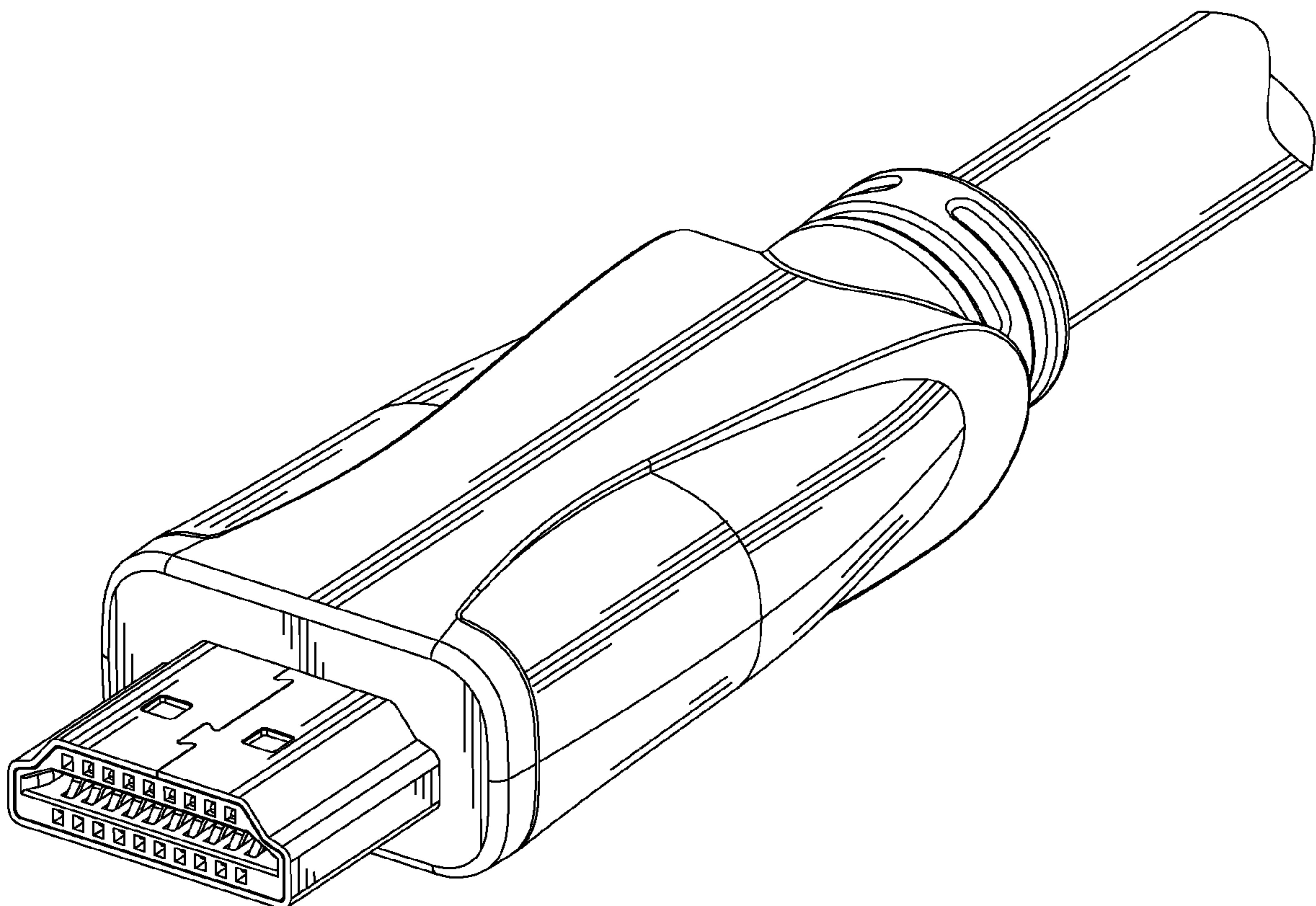
FIG. 6 is a top plan view thereof; and,

FIG. 7 is a bottom plan view thereof.

**U.S. PATENT DOCUMENTS**

D551,626 S \* 9/2007 Ho et al. .... D13/147

**1 Claim, 7 Drawing Sheets**



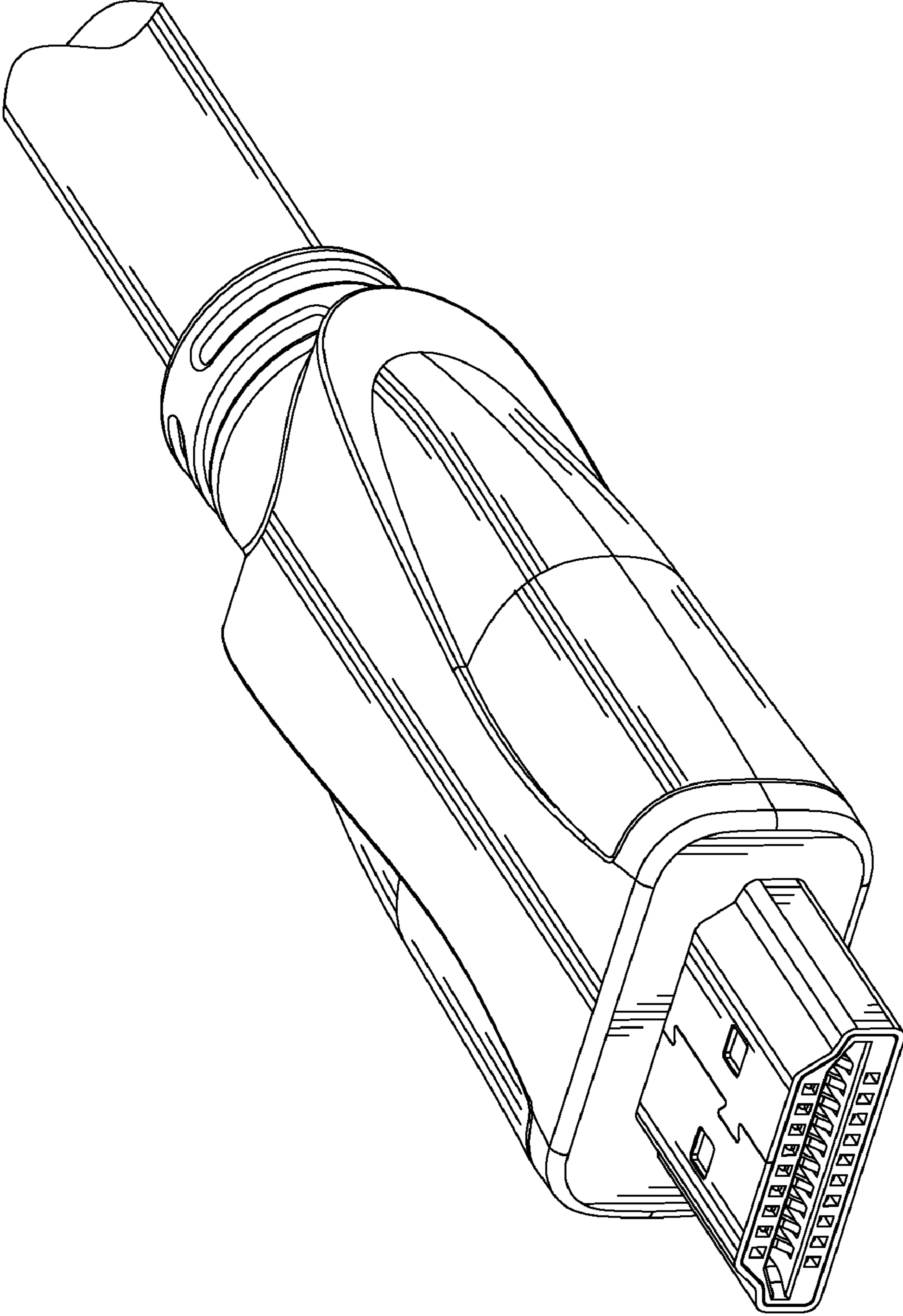


FIG. 1

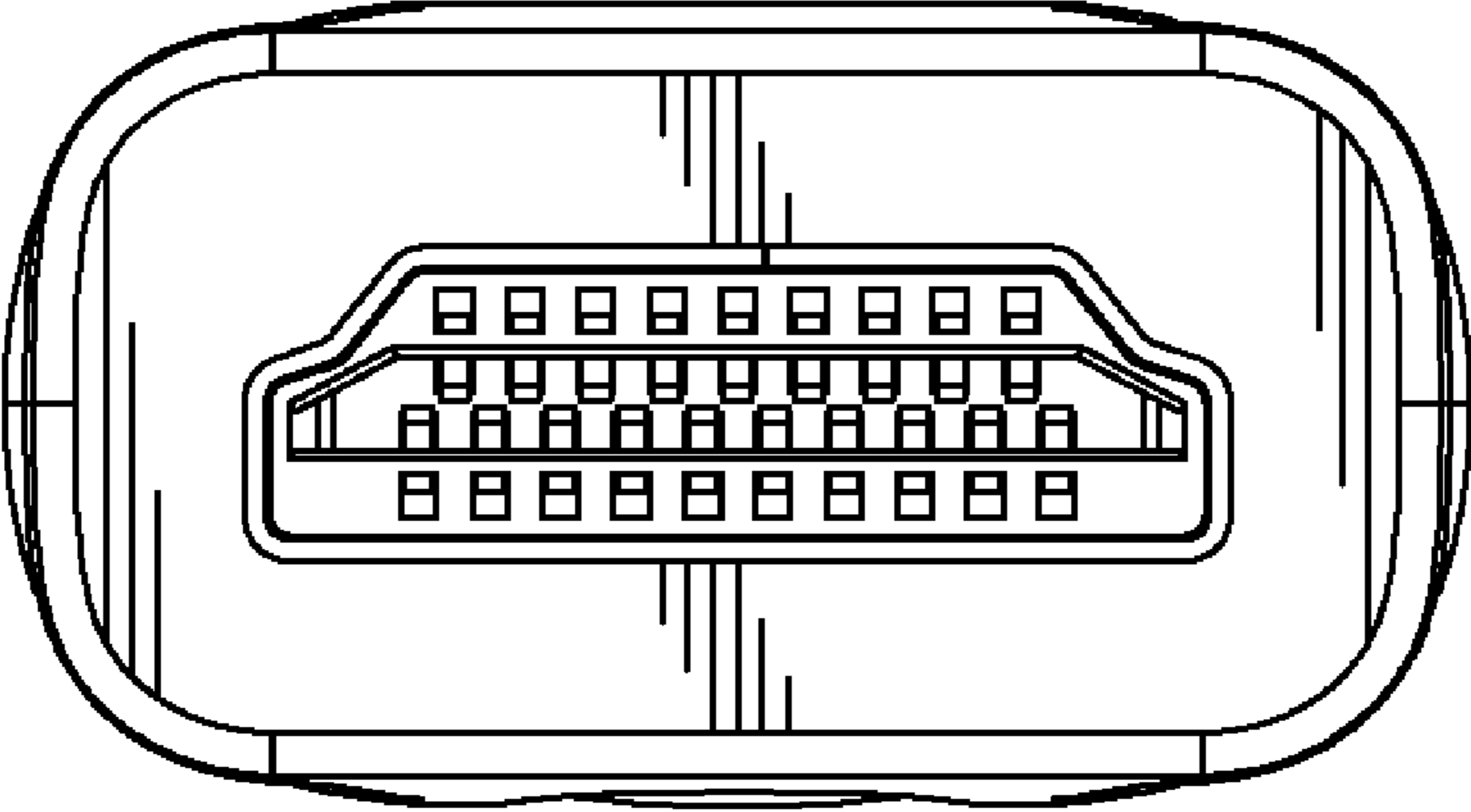


FIG. 2

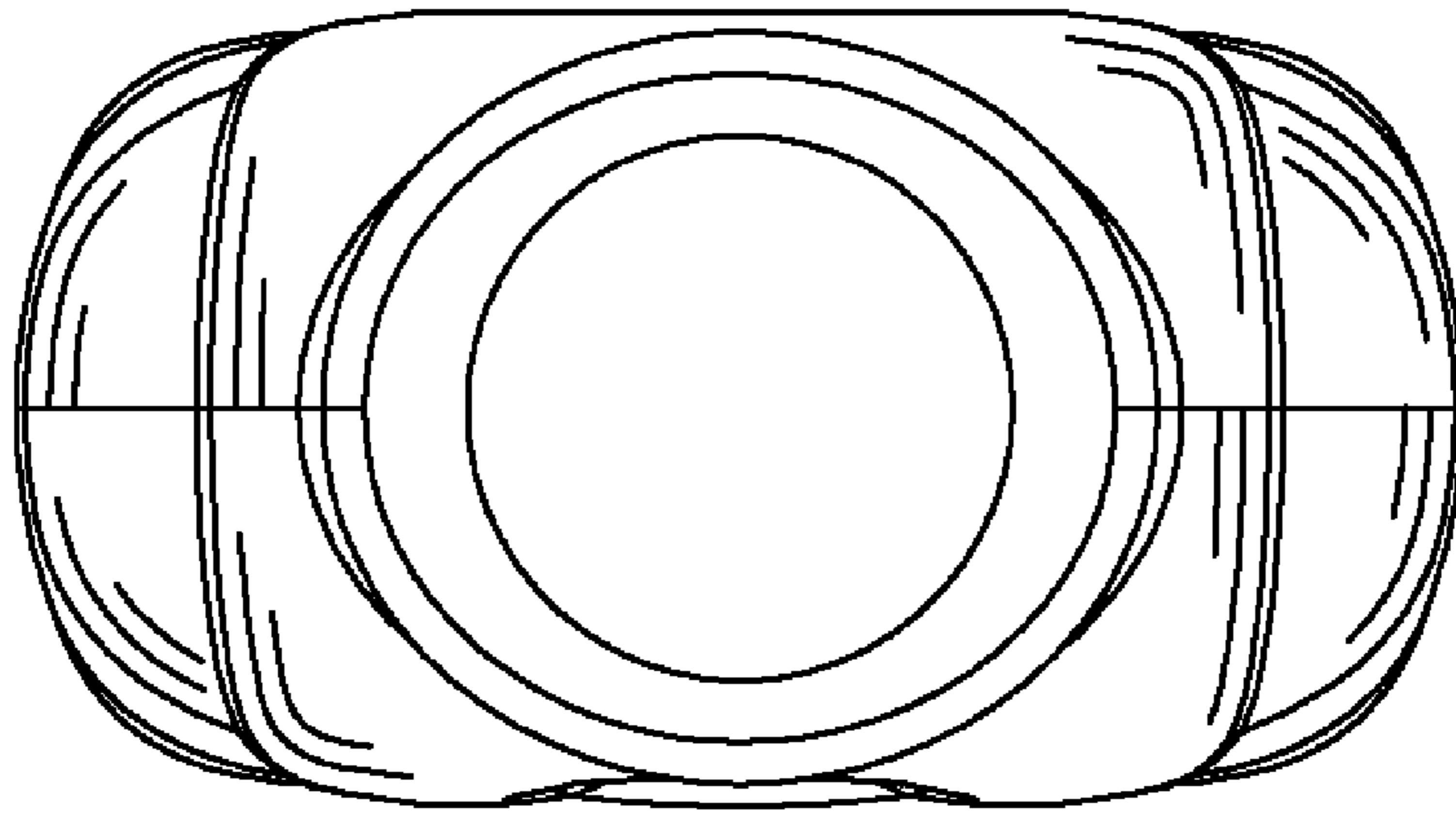


FIG. 3

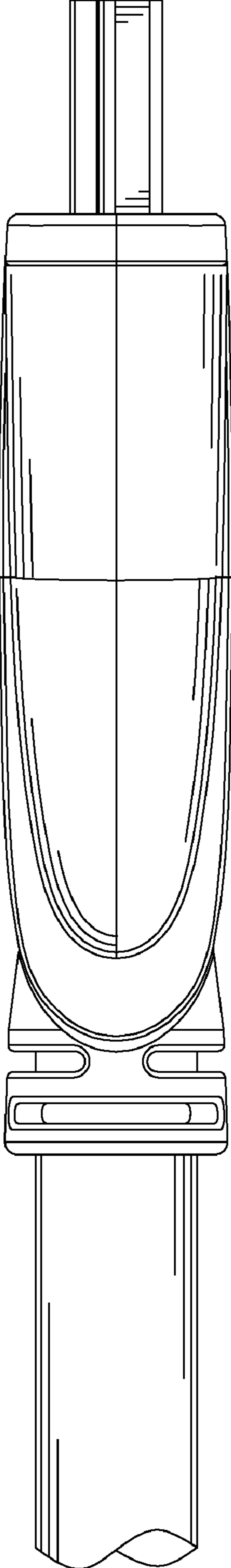


FIG. 4

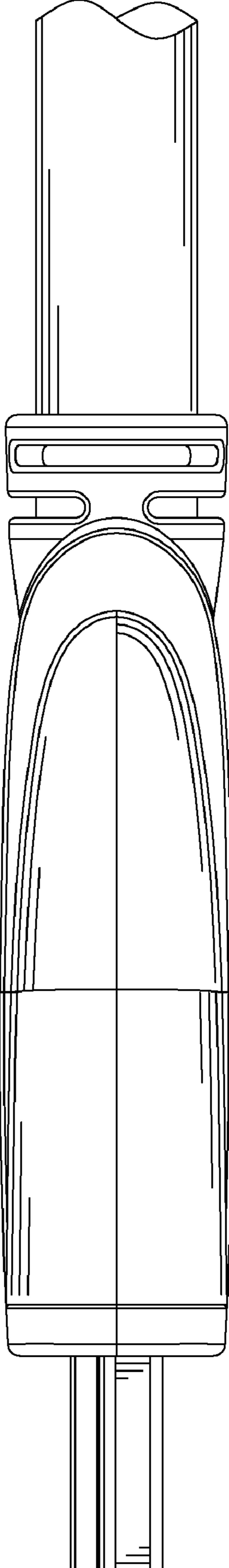


FIG. 5

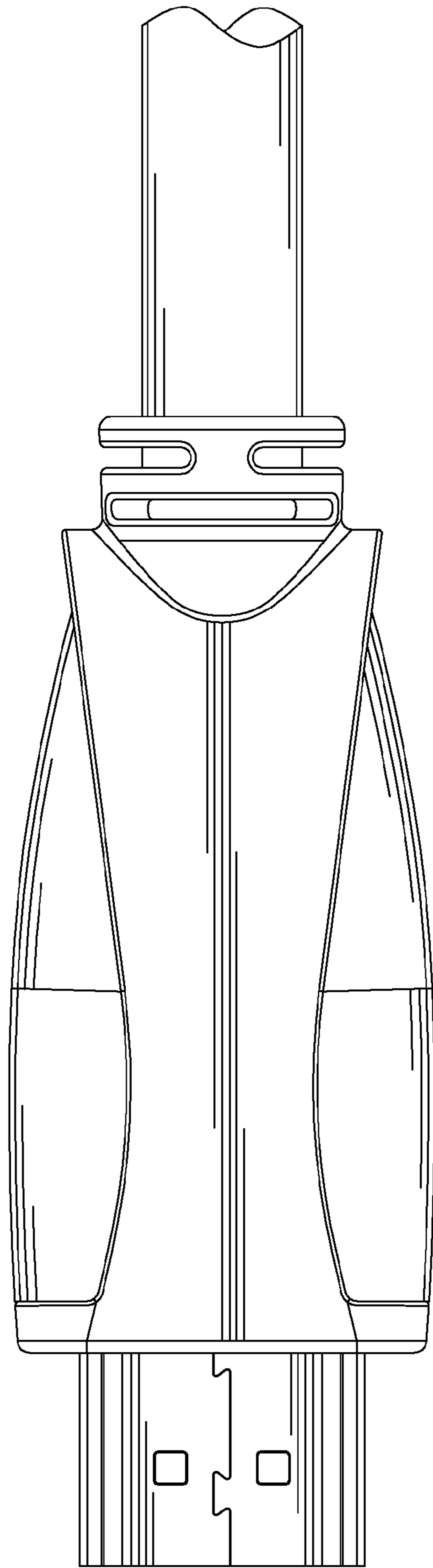


FIG. 6

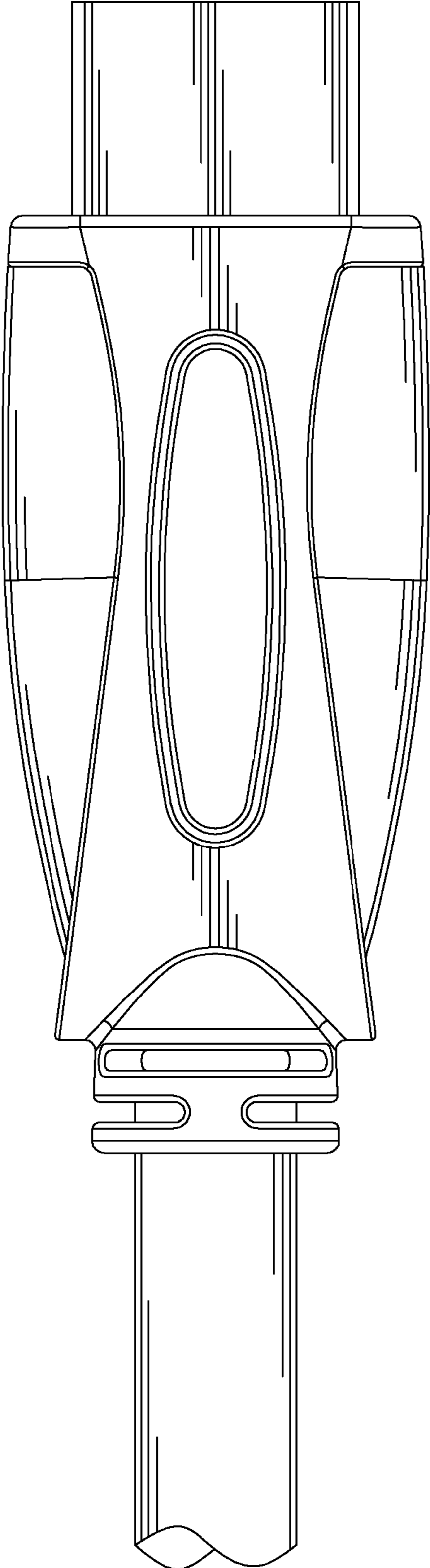


FIG. 7