



US00D602439S

(12) **United States Design Patent**
Yu et al.

(10) **Patent No.:** **US D602,439 S**
(45) **Date of Patent:** **** Oct. 20, 2009**

(54) **CABLE CONNECTOR ASSEMBLY**
(75) Inventors: **Wei-Jun Yu**, Kun-Shan (CN); **Xian-Bao Su**, Kun-Shan (CN); **Chung-Yen Yang**, Tu-Cheng (TW)

6,062,892 A * 5/2000 Meng et al. 439/357
6,093,057 A * 7/2000 Lok 439/607.4
D474,154 S * 5/2003 Lai D13/147

* cited by examiner

(73) Assignee: **Hon Hai Precision Ind. Co., Ltd.**, Taipei Hsien (TW)

Primary Examiner—Daniel D Bui
(74) *Attorney, Agent, or Firm*—Wei Te Chung; Andrew C. Cheng; Ming Chieh Chang

(**) Term: **14 Years**

(57) **CLAIM**

(21) Appl. No.: **29/313,727**

The ornamental design for a cable connector assembly, as shown described.

(22) Filed: **Feb. 4, 2009**

(30) **Foreign Application Priority Data**
Aug. 4, 2008 (CN) 2008 3 0301131

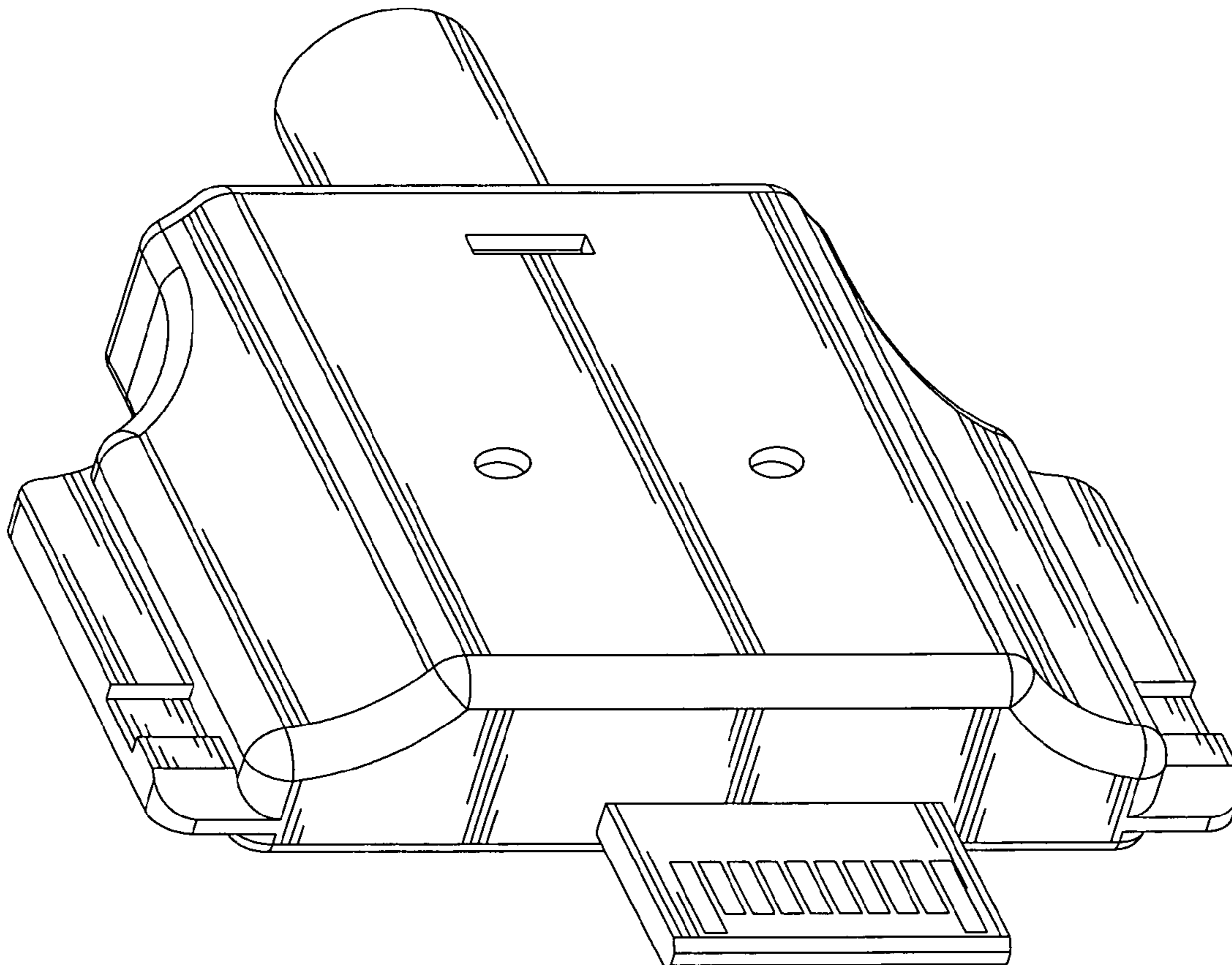
DESCRIPTION

(51) **LOC (9) Cl.** **13-03**
(52) **U.S. Cl.** **D13/147**
(58) **Field of Classification Search** D13/133,
D13/146–147, 154, 184
See application file for complete search history.

FIG. 1 is a front, top and left side perspective view of a cable connector assembly, showing our new design;
FIG. 2 is a front elevation view thereof;
FIG. 3 is a rear elevation view thereof;
FIG. 4 is a left side elevation view thereof;
FIG. 5 is a right side elevation view thereof;
FIG. 6 is a top plan view thereof; and,
FIG. 7 is a bottom plan view thereof.

(56) **References Cited**
U.S. PATENT DOCUMENTS
D405,764 S * 2/1999 Moshayedi D13/147

1 Claim, 7 Drawing Sheets



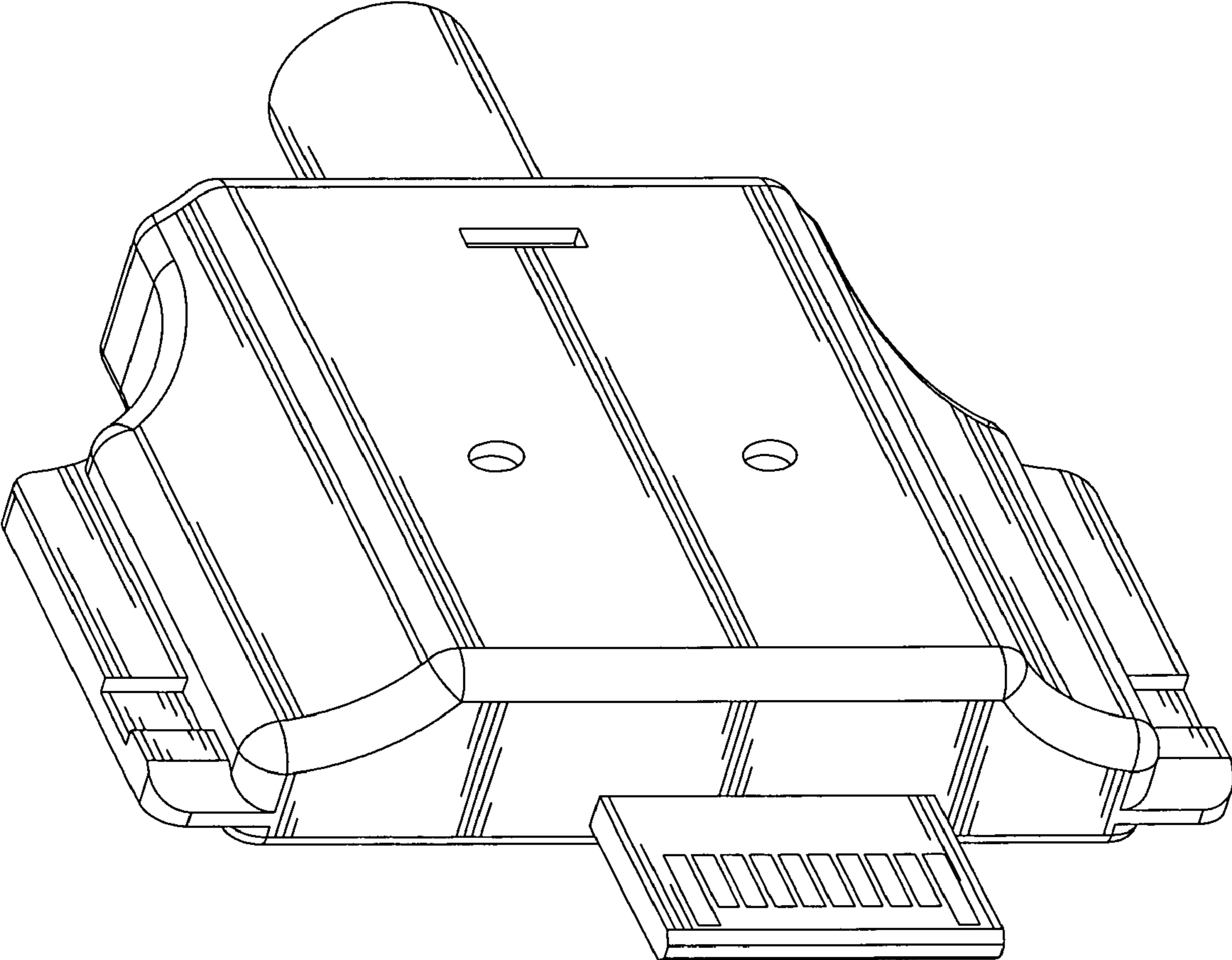


FIG. 1

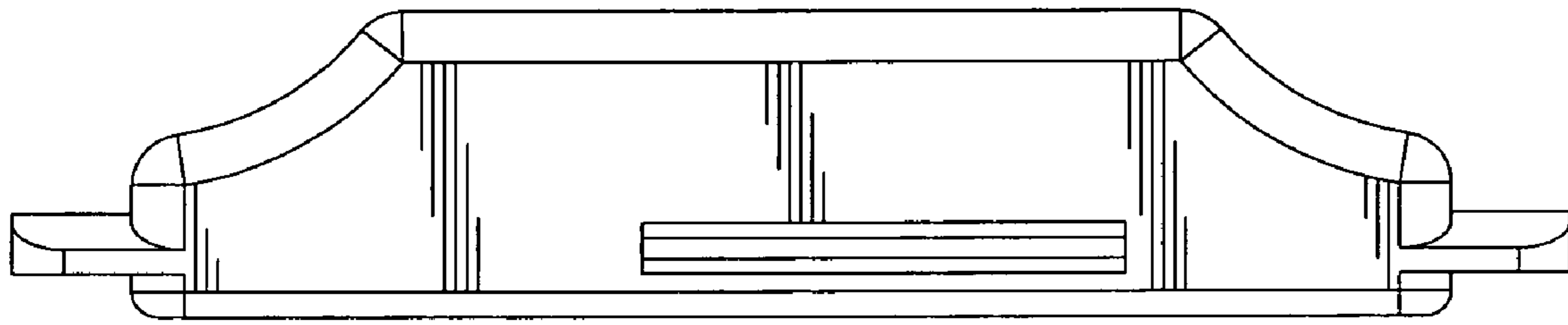


FIG. 2

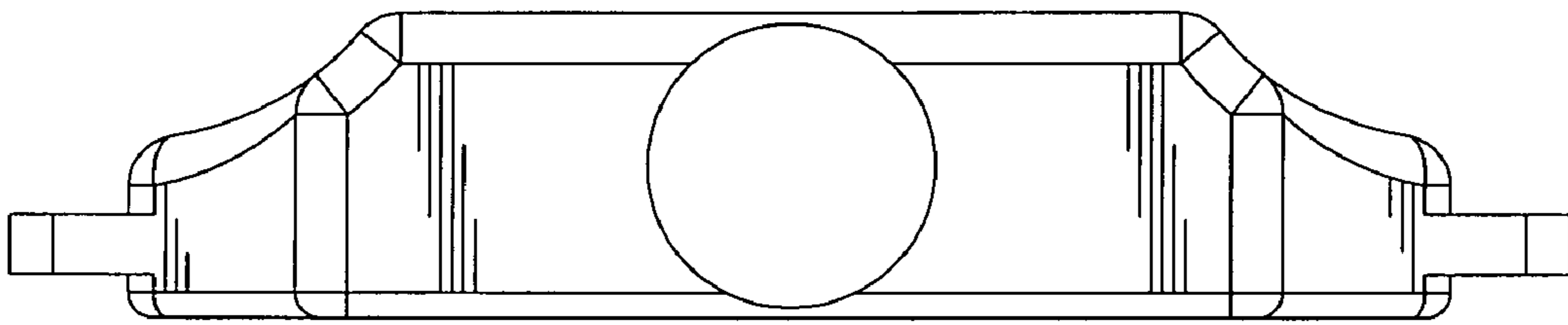


FIG. 3

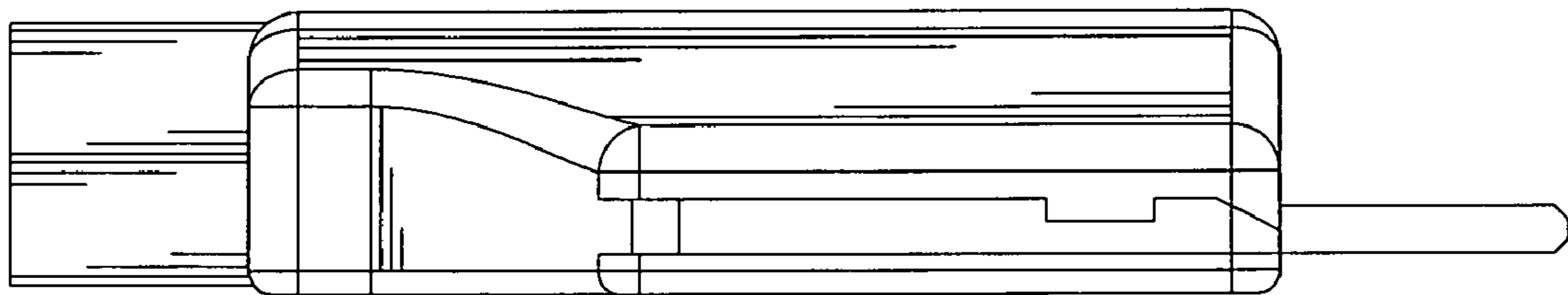


FIG. 4

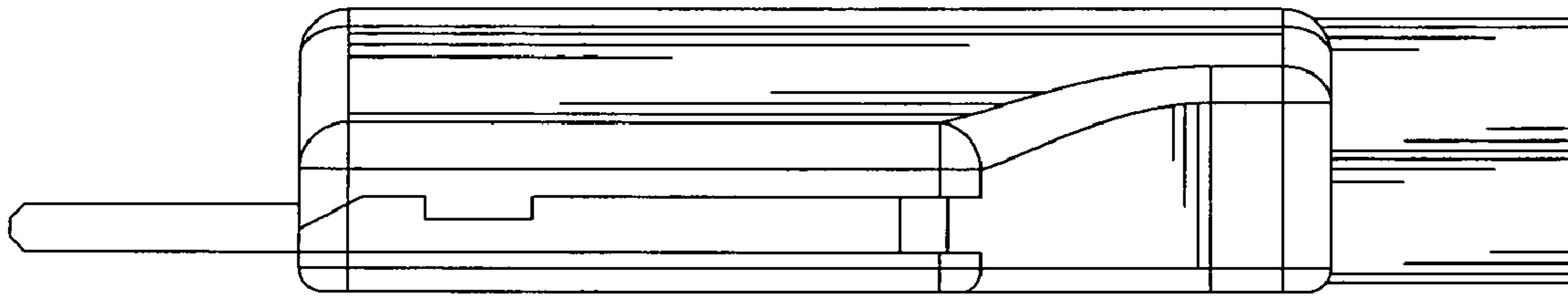


FIG. 5

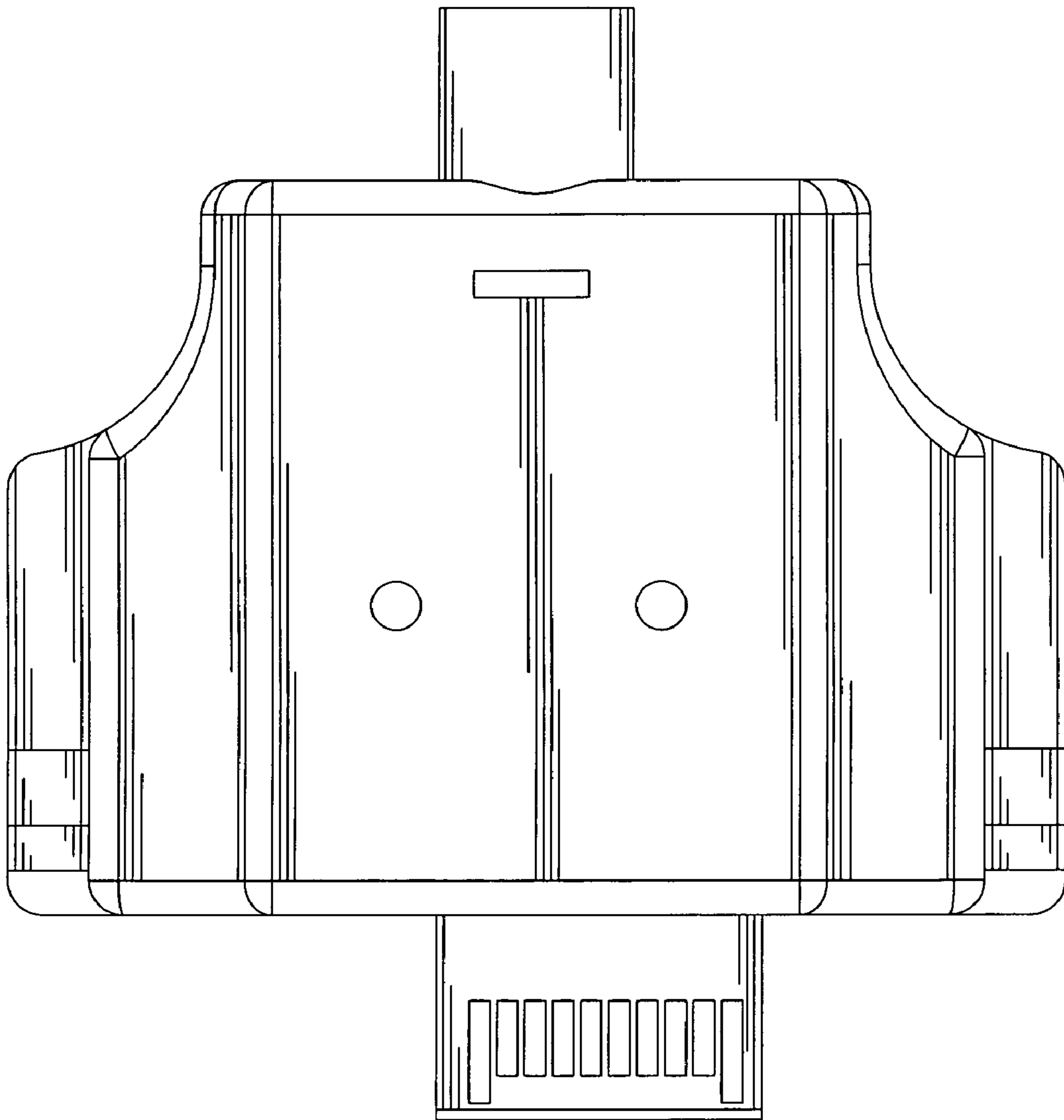


FIG. 6

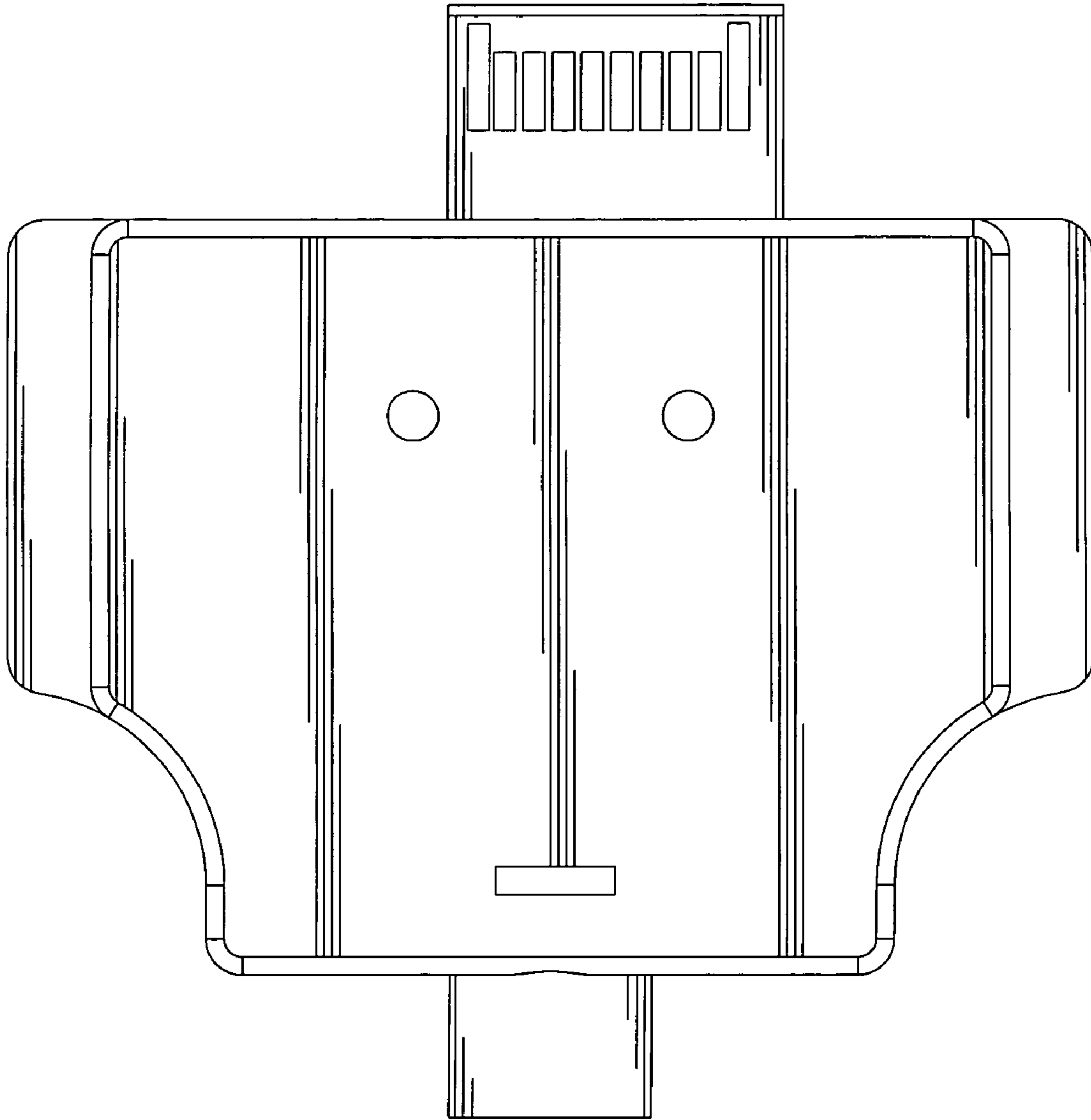


FIG. 7