



US00D602437S

(12) **United States Design Patent**  
**Zhang et al.**

(10) **Patent No.:** **US D602,437 S**  
(45) **Date of Patent:** **\*\* Oct. 20, 2009**

(54) **CABLE CONNECTOR ASSEMBLY**  
(75) Inventors: **Xiao-Guo Zhang**, Kunshan (CN);  
**Xue-Liang Zhang**, Kunshan (CN);  
**Qing-Man Zhu**, Kunshan (CN); **Er-Hou**  
**Zhou**, Kunshan (CN); **Chou-Jung Kuo**,  
Tu-cheng (TW)

(73) Assignee: **Hon Hai Precision Ind. Co., Ltd.**,  
Taipei Hsien (TW)

(\*\*) Term: **14 Years**

(21) Appl. No.: **29/312,102**

(22) Filed: **Sep. 29, 2008**

(30) **Foreign Application Priority Data**  
Jun. 18, 2008 (CN) ..... 2008 3 0038751

(51) **LOC (9) Cl.** ..... **13-03**

(52) **U.S. Cl.** ..... **D13/147**

(58) **Field of Classification Search** ..... D13/133,  
D13/147, 154, 184; D14/432, 433, 435;  
439/350, 352, 357-359, 362, 607-610, 660,  
439/677, 680-682, 686

See application file for complete search history.

(56) **References Cited**

**U.S. PATENT DOCUMENTS**

D319,431 S \* 8/1991 Constien ..... D13/184

D367,039 S \* 2/1996 Loh ..... D13/147  
D456,359 S \* 4/2002 Funatsu ..... D13/147  
D460,050 S \* 7/2002 Haines et al. .... D13/147  
6,582,244 B2 \* 6/2003 Fogg et al. .... 439/362  
2002/0146926 A1 \* 10/2002 Fogg et al. .... 439/362

\* cited by examiner

*Primary Examiner*—Daniel D Bui

(74) *Attorney, Agent, or Firm*—Ming Chieh Chang; Wei Te  
Chung; Andrew C. Cheng

(57) **CLAIM**

The ornamental design for a cable connector assembly, as  
shown.

**DESCRIPTION**

FIG. 1 is a top, front and right side perspective view of a cable  
connector assembly showing our new design;

FIG. 2 is a top plan view thereof;

FIG. 3 is a bottom plan view thereof;

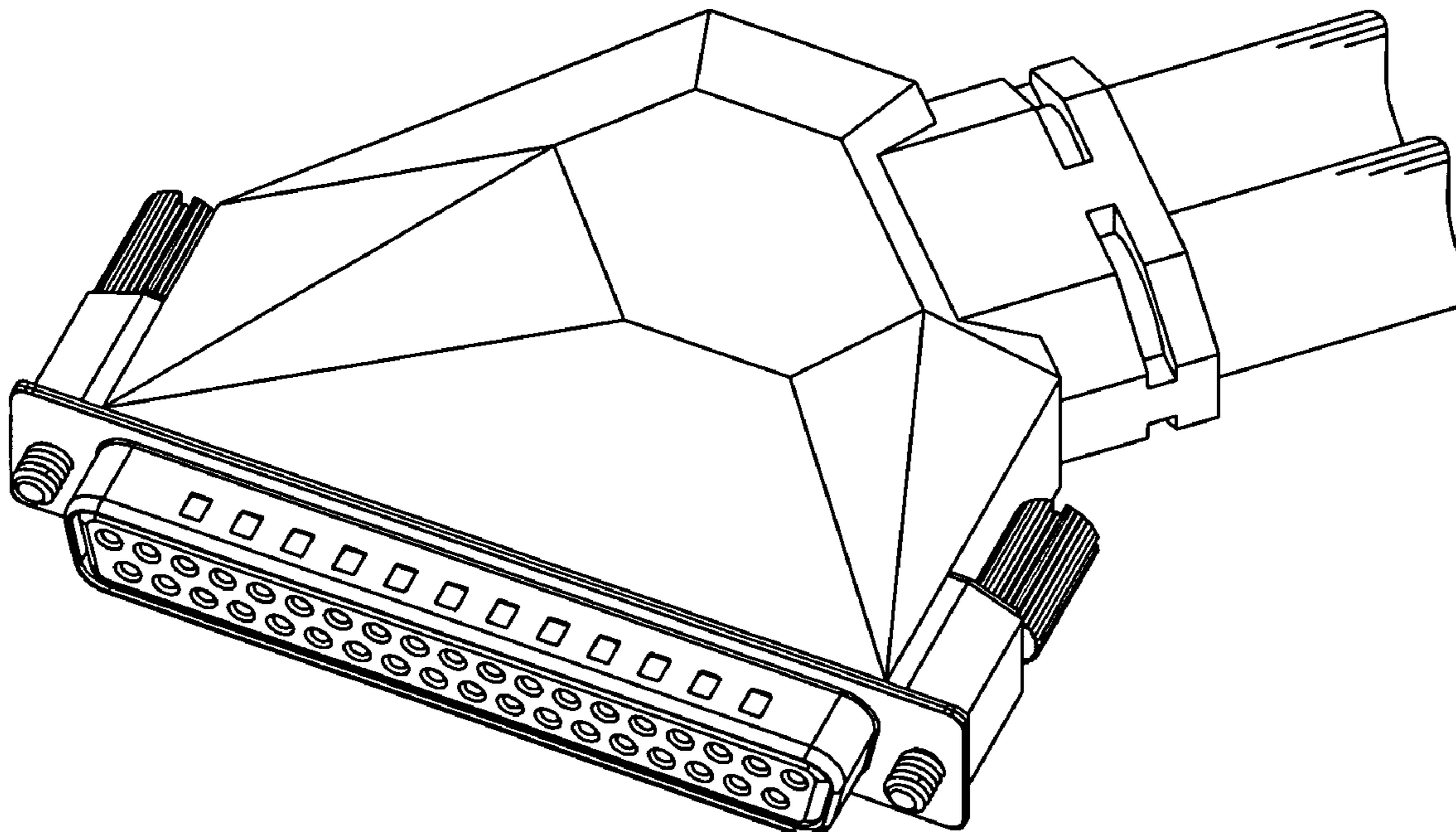
FIG. 4 is a left side elevational view thereof;

FIG. 5 is a right side elevational view of thereof;

FIG. 6 is a rear elevational view thereof; and,

FIG. 7 is a front elevational view thereof.

**1 Claim, 7 Drawing Sheets**



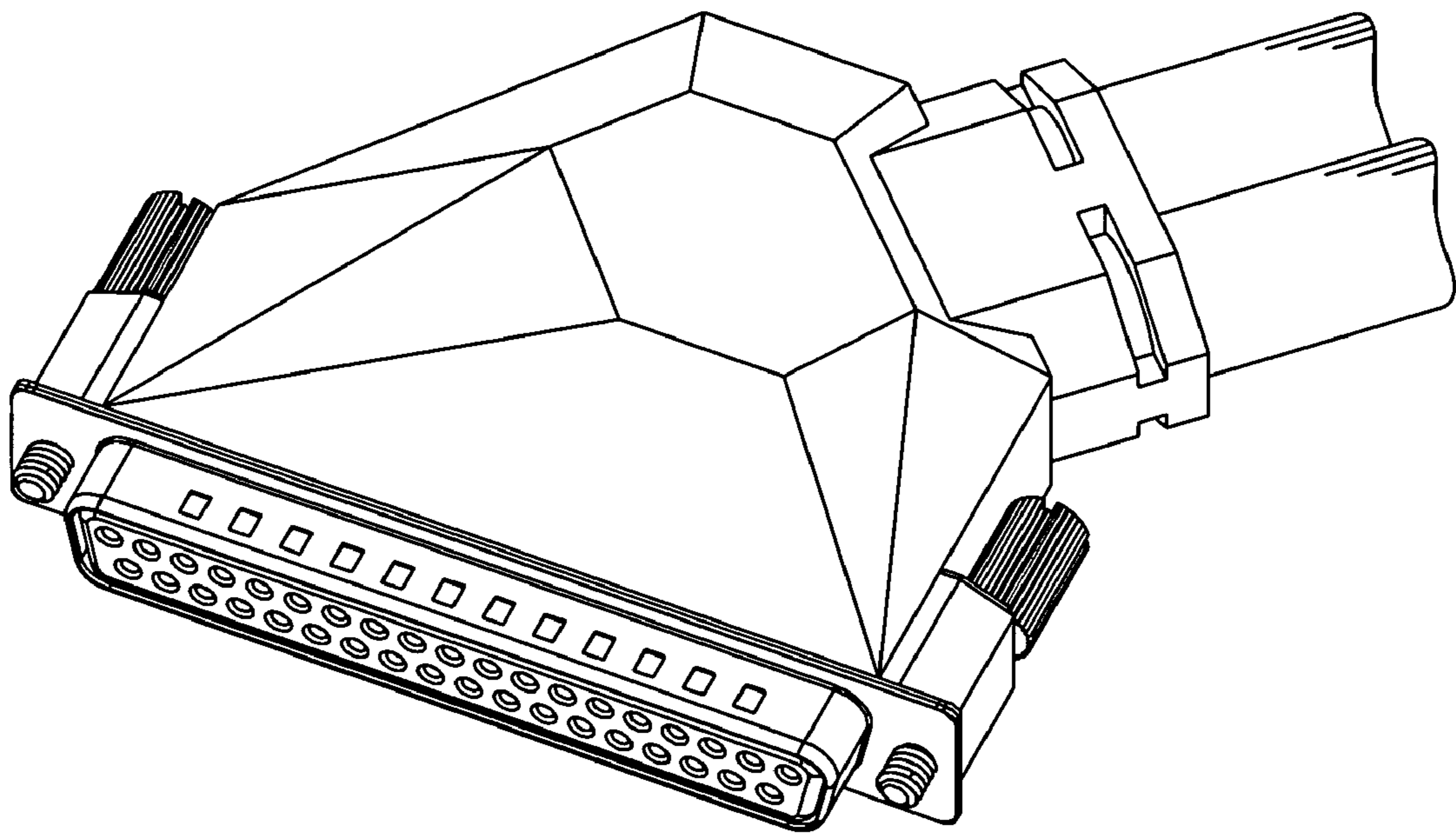


FIG. 1

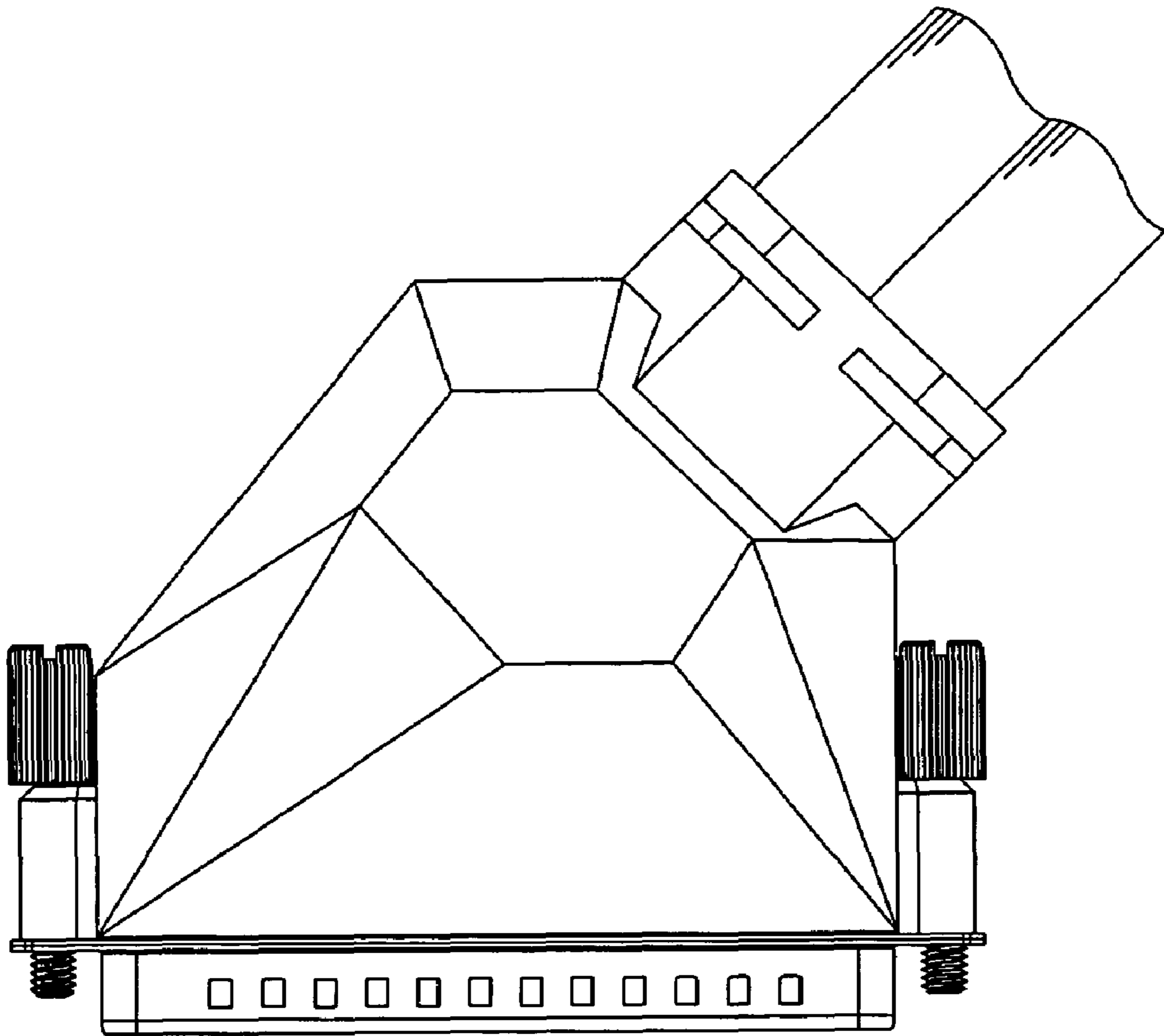


FIG. 2

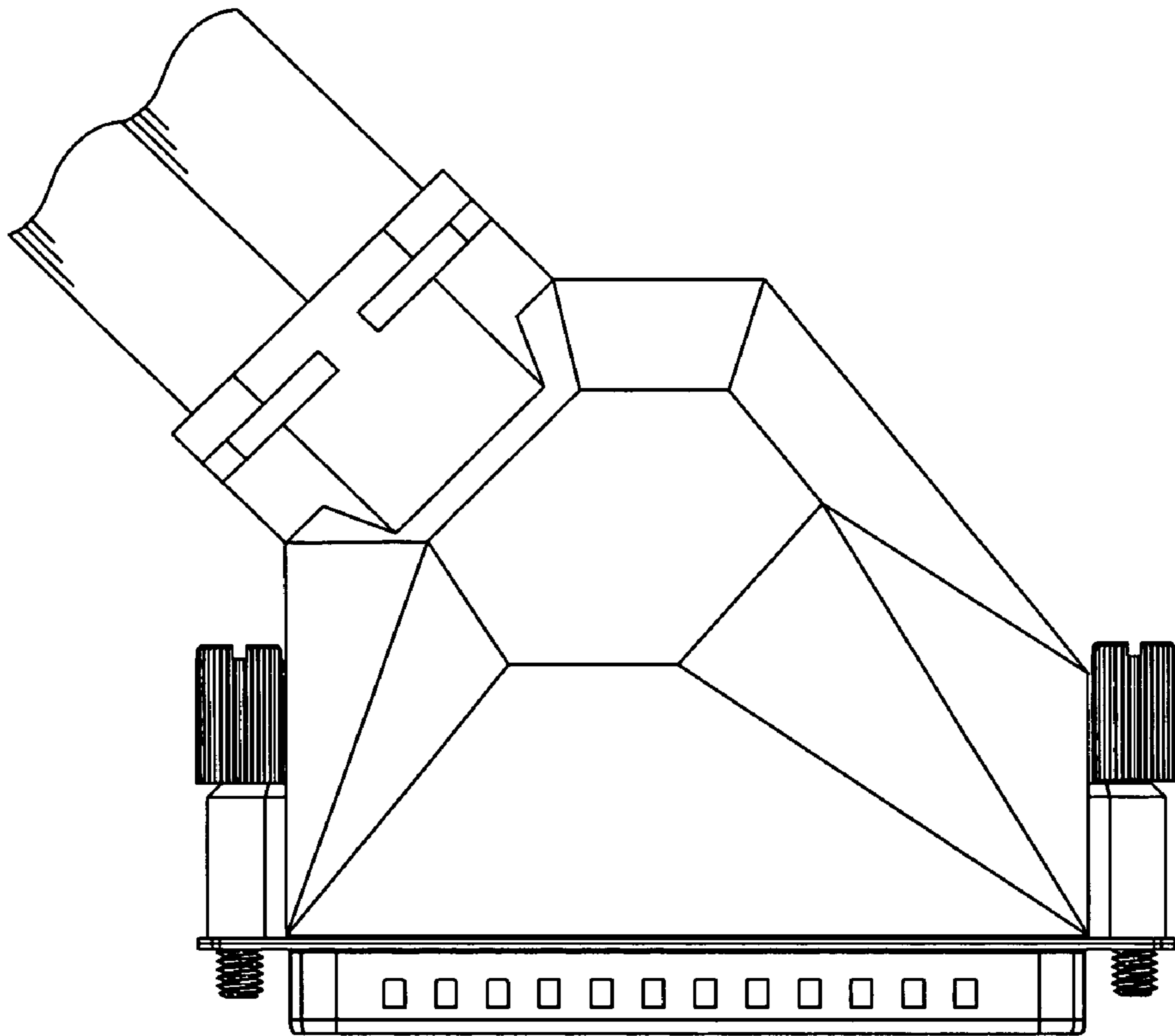


FIG. 3

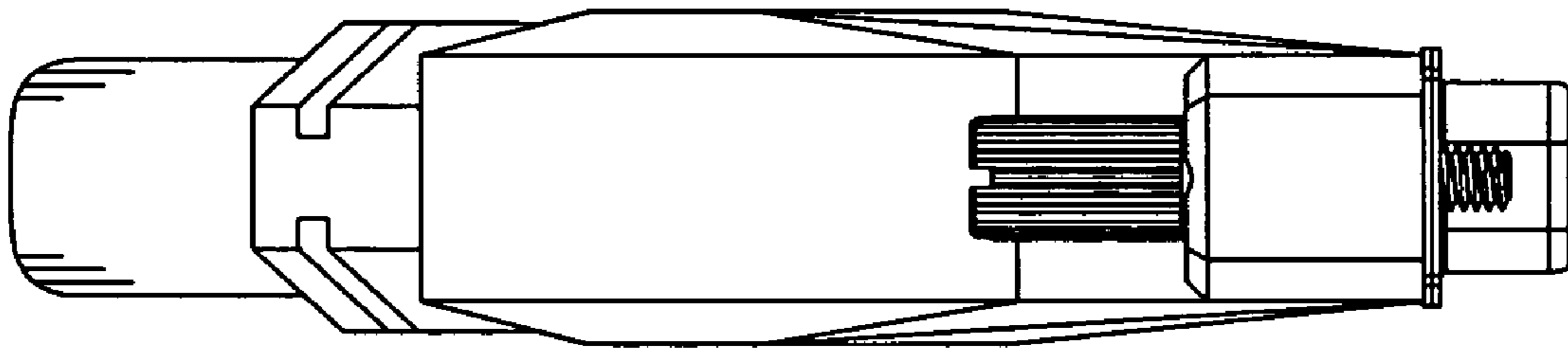


FIG. 4

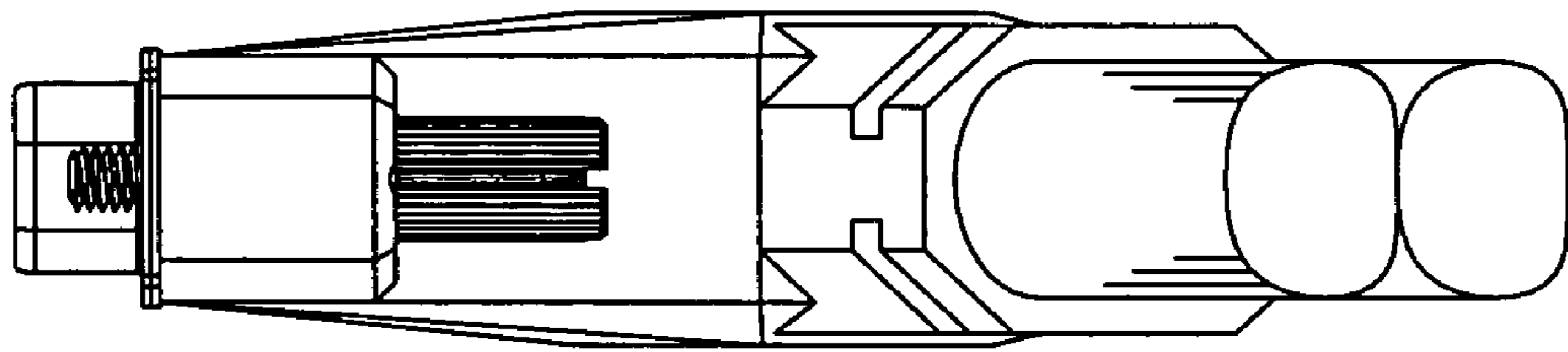


FIG. 5

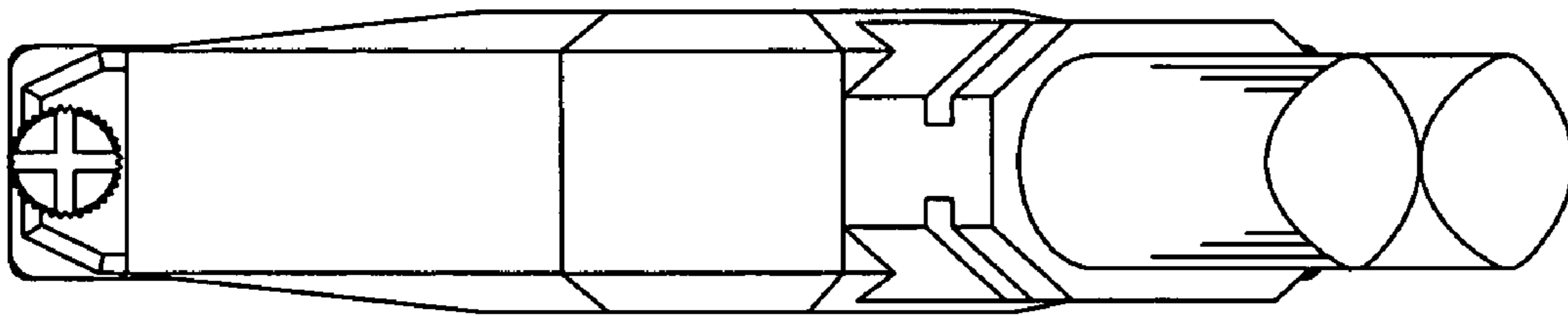


FIG. 6

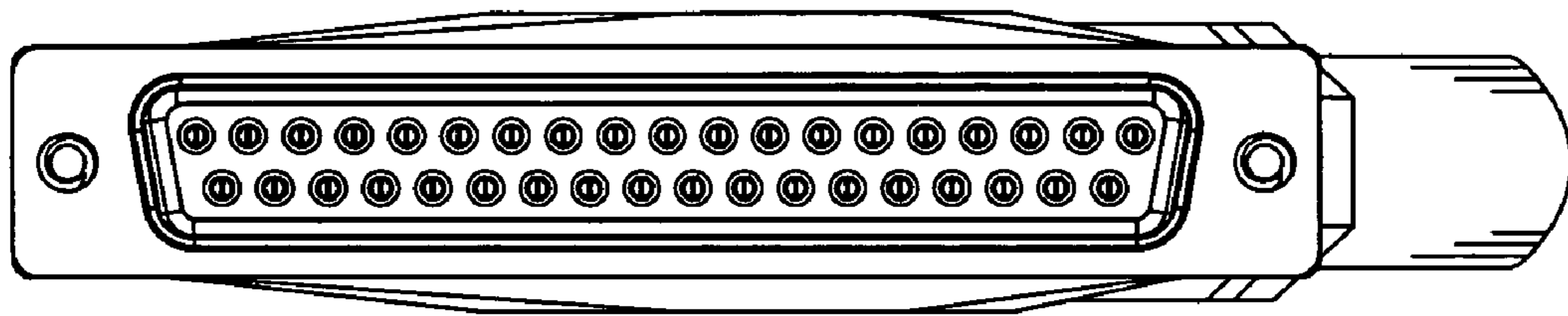


FIG. 7