



US00D602436S

(12) **United States Design Patent**
Wu et al.

(10) **Patent No.:** **US D602,436 S**
(45) **Date of Patent:** **** Oct. 20, 2009**

(54) **CABLE CONNECTOR ASSEMBLY**

(75) Inventors: **Xiao-Gang Wu**, KunShan (CN);
Ping-Sheng Su, TuCheng (TW)

(73) Assignee: **Hon Hai Precision Ind. Co., Ltd.**,
Taipei Hsien (TW)

(**) Term: **14 Years**

(21) Appl. No.: **29/312,100**

(22) Filed: **Sep. 29, 2008**

(30) **Foreign Application Priority Data**

Jun. 11, 2008 (CN) 2008 3 0300817

(51) **LOC (9) Cl.** **13-03**

(52) **U.S. Cl.** **D13/147**

(58) **Field of Classification Search** D13/133,
D13/146-147, 153, 154, 184; D21/324,
D21/333, 385; 439/350, 352, 358, 447, 578,
439/584, 585, 607-610, 660, 680, 682, 686
See application file for complete search history.

(56) **References Cited**

U.S. PATENT DOCUMENTS

D416,233 S * 11/1999 Tsai D13/153
D416,542 S * 11/1999 Tsai D13/153

D416,868 S * 11/1999 Tsai D13/153
D442,553 S * 5/2001 Urban et al. D13/153
D535,623 S * 1/2007 Hung-Way D13/147

* cited by examiner

Primary Examiner—Daniel D Bui

(74) *Attorney, Agent, or Firm*—Wei Te Chung; Andrew C.
Cheng; Ming Chieh Chang

(57) **CLAIM**

The ornamental design for a cable connector assembly, as
shown described.

DESCRIPTION

FIG. 1 is a front, top and right side perspective view of a cable
connector assembly, showing our new design;

FIG. 2 is a front elevation view thereof;

FIG. 3 is a rear elevation view thereof;

FIG. 4 is a left side elevation view thereof;

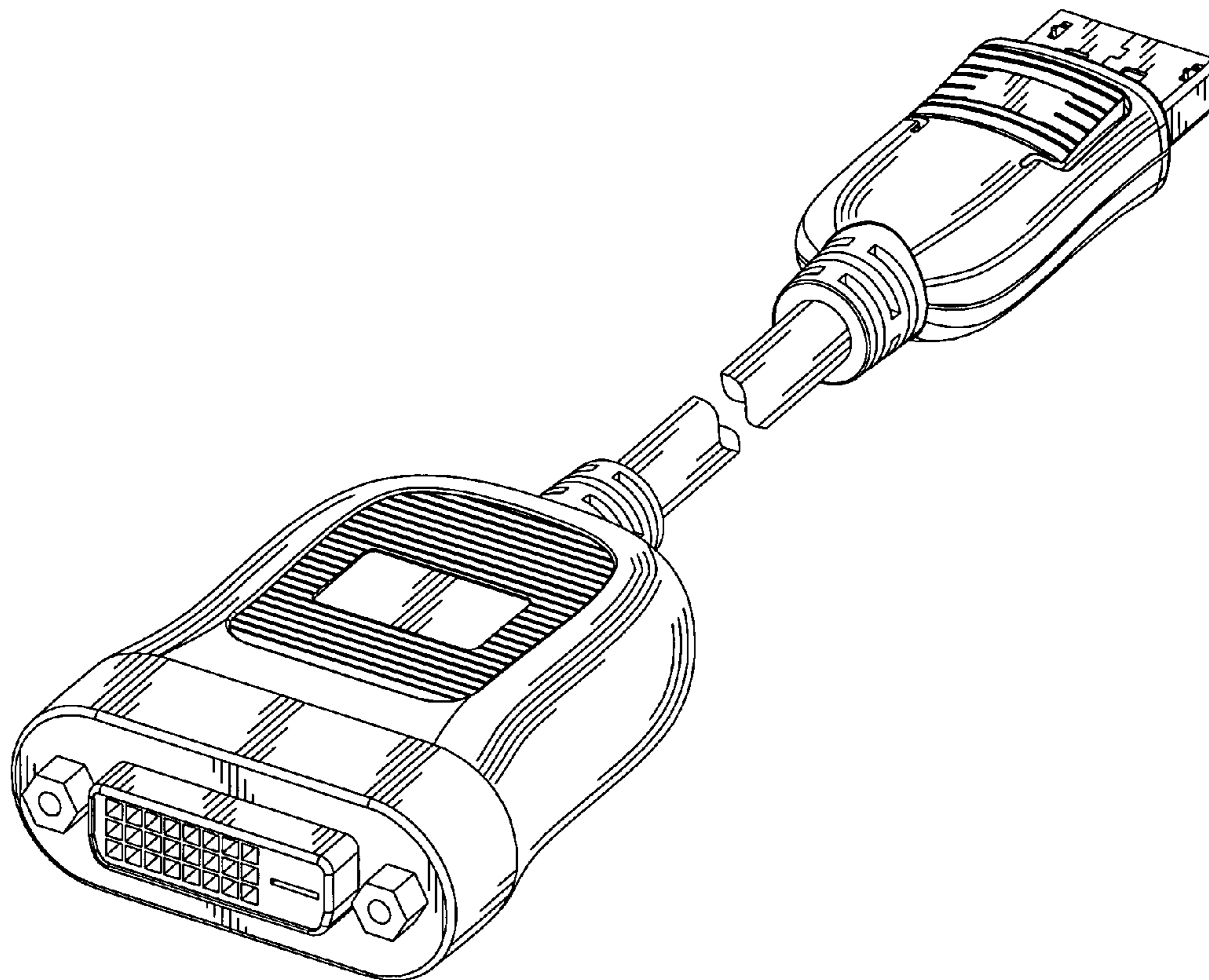
FIG. 5 is a right side elevation view thereof;

FIG. 6 is a top plan view thereof;

FIG. 7 is a bottom plan view thereof; and,

FIG. 8 is a rear, top and left side perspective view of a cable
connector assembly, showing our new design.

1 Claim, 8 Drawing Sheets



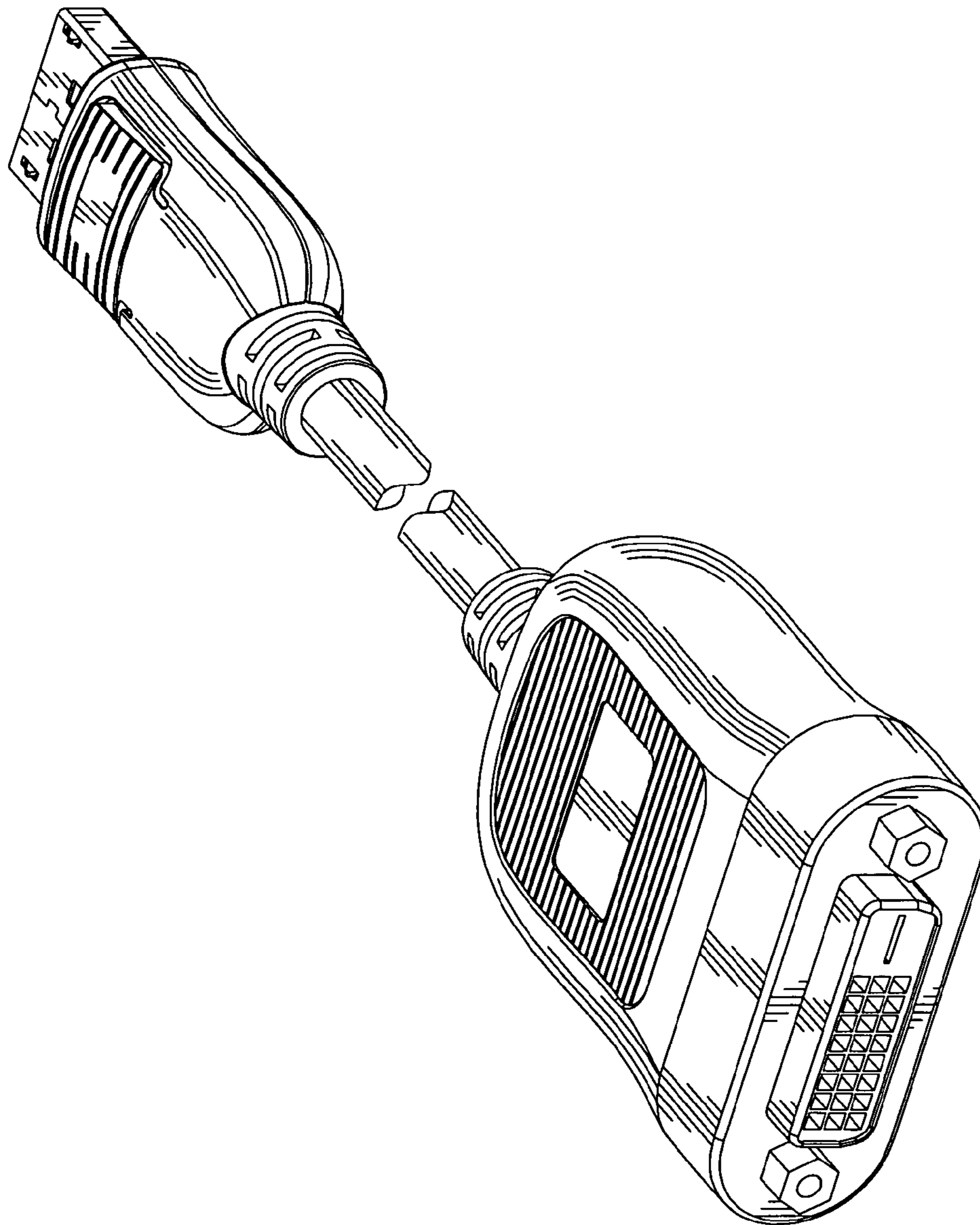


FIG. 1

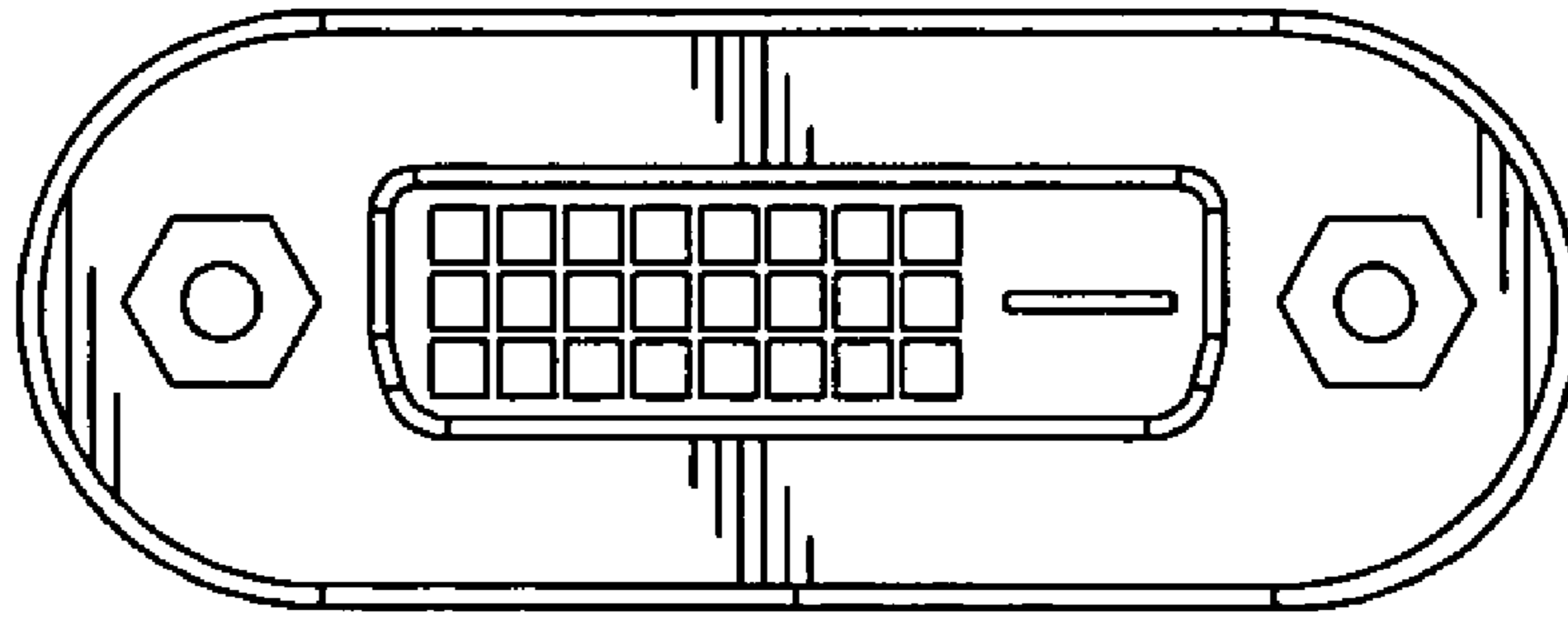


FIG. 2

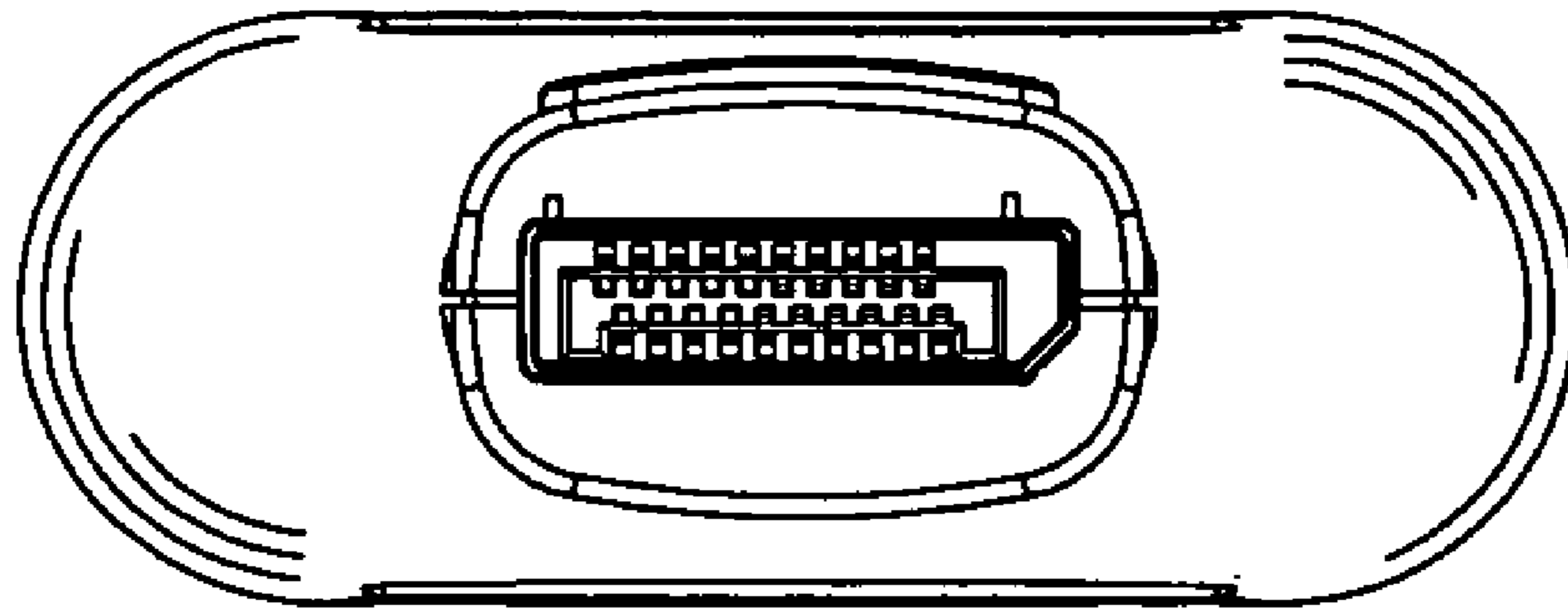


FIG. 3

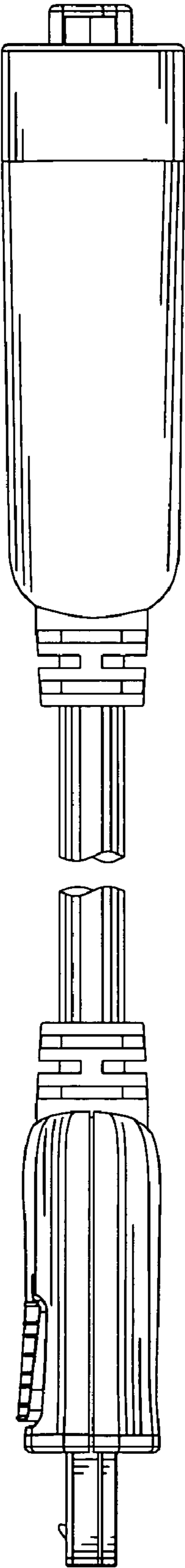


FIG. 4

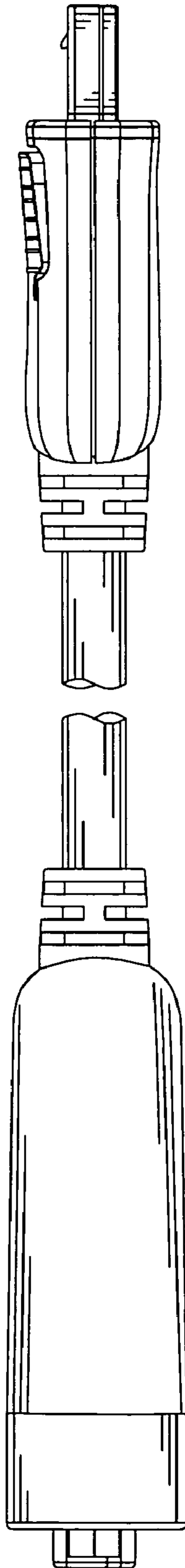


FIG. 5

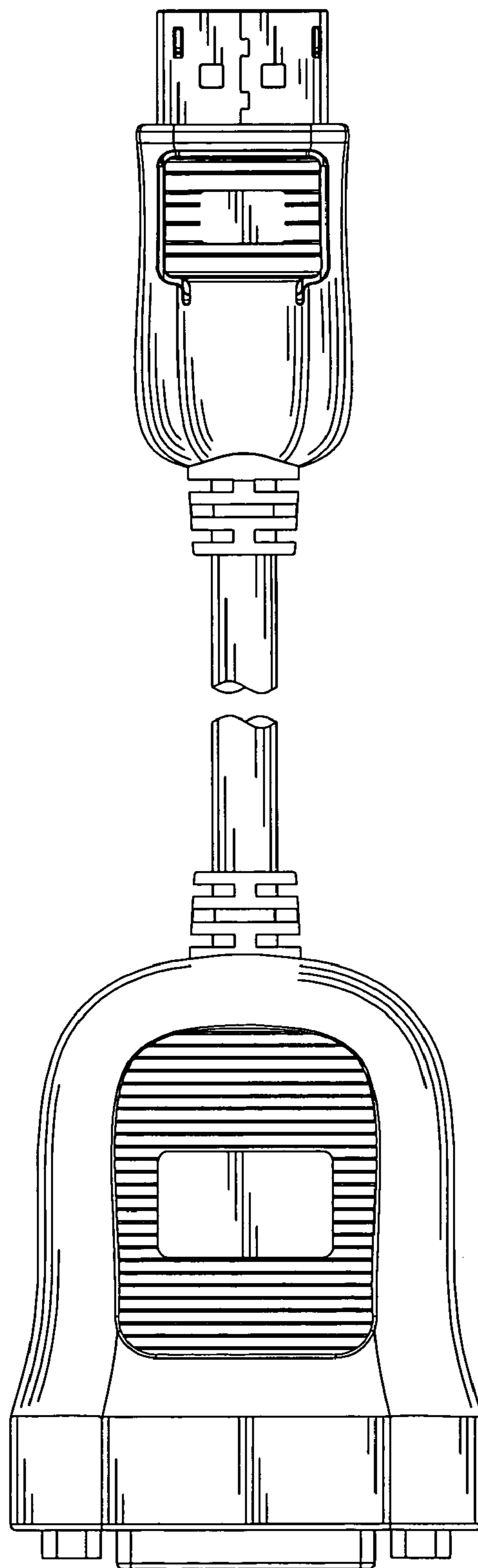


FIG. 6

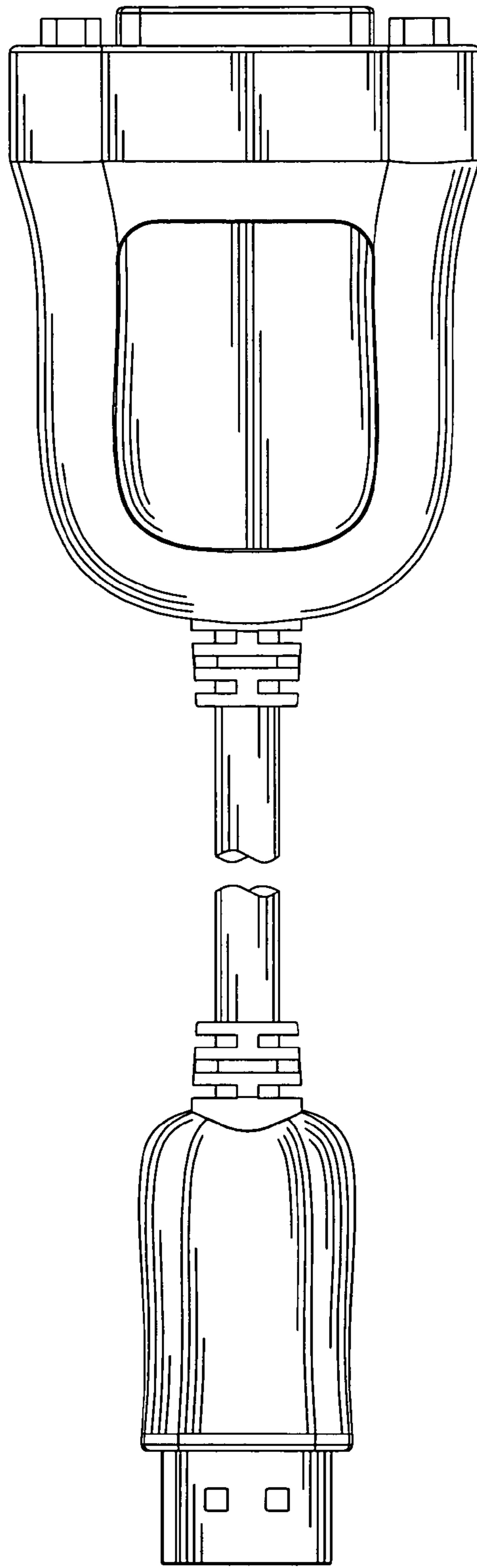


FIG. 7

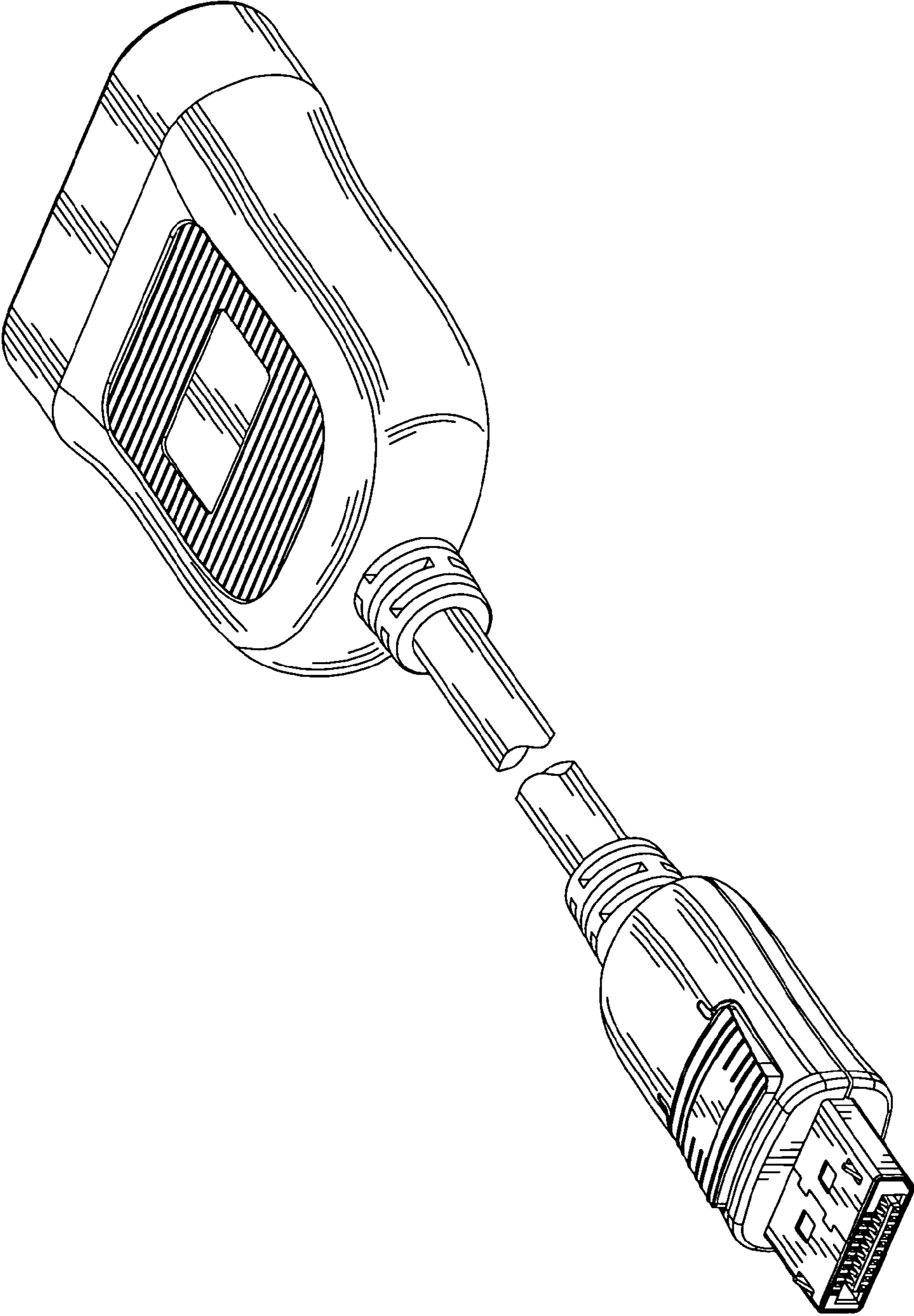


FIG. 8