



US00D602434S

(12) **United States Design Patent**  
**Mancari et al.**

(10) **Patent No.:** **US D602,434 S**  
(45) **Date of Patent:** **\*\* Oct. 20, 2009**

(54) **30 AMP ELECTRICAL CONNECTOR HEAD REPLACEMENT RECEPTACLE**

(75) Inventors: **Robert C. Mancari**, High Point, NC (US); **Jeffrey R. Russell**, Winston Salem, NC (US)

(73) Assignee: **Camco Manufacturing Inc.**, Greensboro, NC (US)

(\*\*) Term: **14 Years**

(21) Appl. No.: **29/286,196**

(22) Filed: **Apr. 26, 2007**

(51) **LOC (9) Cl.** ..... **13-03**

(52) **U.S. Cl.** ..... **D13/139.1**

(58) **Field of Classification Search** .. D13/137.1-139.8, D13/133, 154, 184; D14/433; 174/53-58, 174/66; 439/105-107, 535, 650-655, 692  
See application file for complete search history.

(56) **References Cited**

**U.S. PATENT DOCUMENTS**

1,714,763 A	5/1929	Boyson	
D88,337 S	11/1932	Massey	
2,030,115 A	2/1936	Muldoon	
D148,105 S	12/1947	Gossard	
D155,149 S	9/1949	Gossard	
2,507,092 A	5/1950	Cline	
D159,196 S	7/1950	Engler	
D185,163 S	5/1959	Miller	
D242,464 S	11/1976	Acosta	
4,778,400 A	10/1988	Jacobs	
D355,162 S *	2/1995	Karman	D13/137.1
5,409,397 A	4/1995	Karman	
D405,759 S *	2/1999	Carmo et al.	D13/139.1
D409,567 S *	5/1999	Carmo et al.	D13/139.1
D413,570 S *	9/1999	Intveld	D13/137.1
D445,090 S *	7/2001	Payne et al.	D13/139.7

D485,239 S *	1/2004	Whalin et al.	D13/137.4
D511,748 S	11/2005	Caine et al.	
D549,650 S *	8/2007	Russell et al.	D13/137.2
D549,651 S *	8/2007	Mancari et al.	D13/138.2
D559,184 S *	1/2008	Russell et al.	D13/137.1
D564,964 S *	3/2008	Caine et al.	D13/137.1
D576,552 S *	9/2008	Caine et al.	D13/137.2
D586,296 S *	2/2009	Liu	D13/138.2

**OTHER PUBLICATIONS**

Ref. No. 1, Model# TT30R, 120V/30A Replacement Receptacle, Progressive Industries website: www.progressiveindustries.net, Apr. 2, 2007.

\* cited by examiner

*Primary Examiner*—Rosemary K Tarca

(57) **CLAIM**

The ornamental design for an 30 amp electrical connector head replacement receptacle, as shown and described.

**DESCRIPTION**

FIG. 1 is a bottom, right side, rear perspective view of an embodiment of an 30 amp electrical connector head replacement receptacle embodying our design;

FIG. 2 is a rear elevational view thereof;

FIG. 3 is a front elevational view thereof;

FIG. 4 is a top, left side, front perspective view thereof;

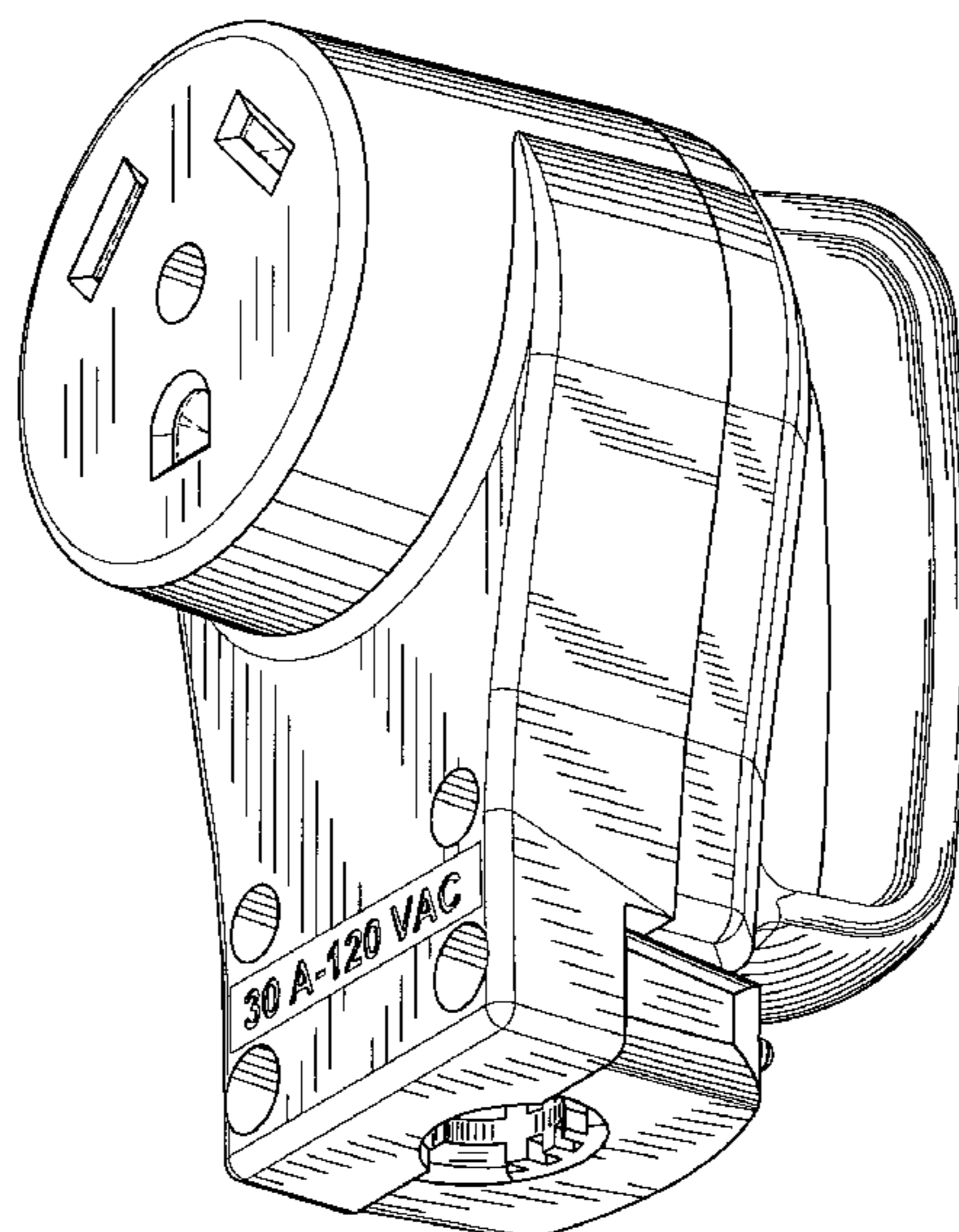
FIG. 5 is a left side elevational view thereof and the right side elevational view being a mirror image;

FIG. 6 is a top plan view thereof; and,

FIG. 7 is a bottom plan view thereof.

The broken lines showing portions of the 30 amp electrical connector head replacement receptacle are included for the purpose of illustrating environmental structure and form no part of the claimed design.

**1 Claim, 4 Drawing Sheets**



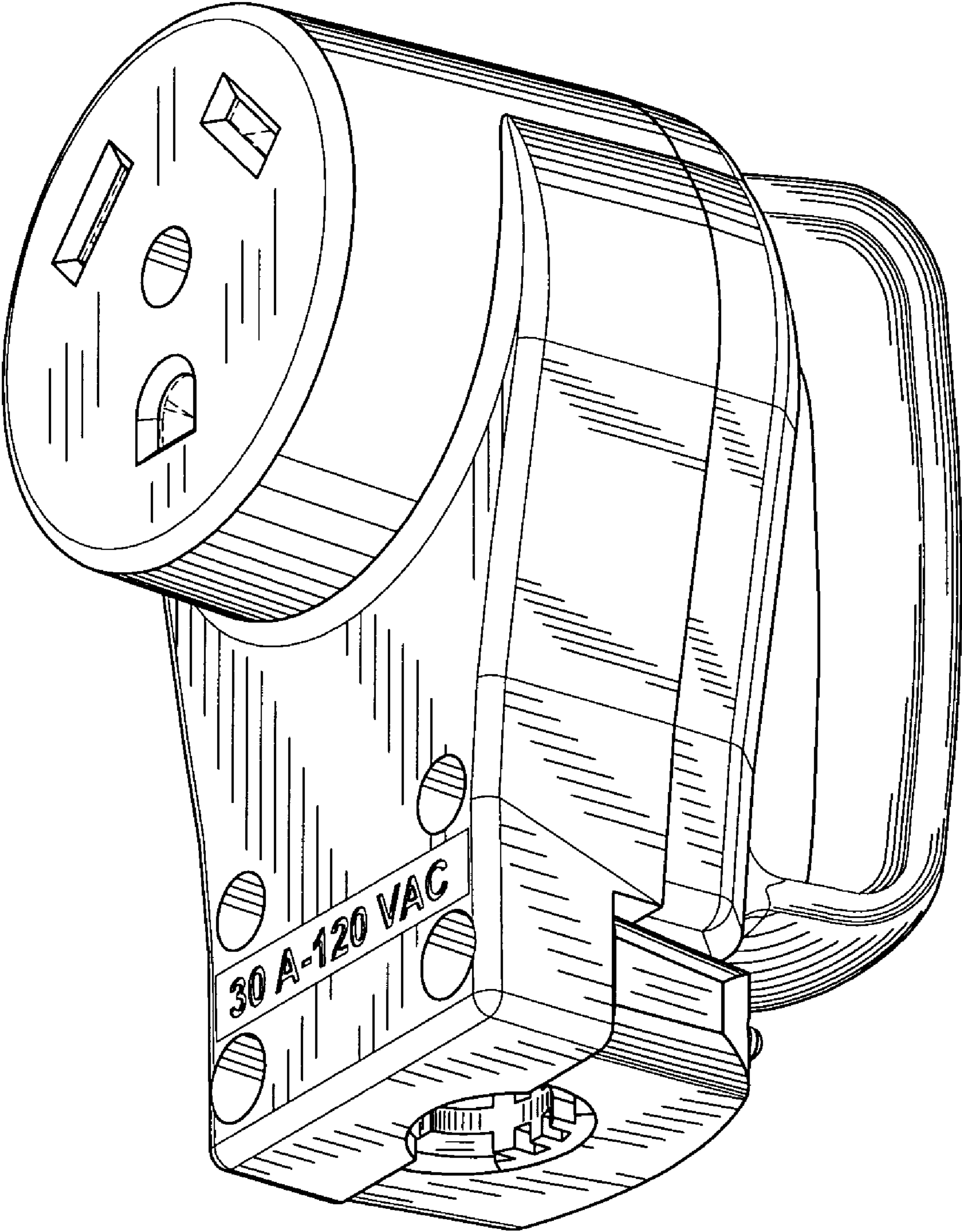


FIG. 1

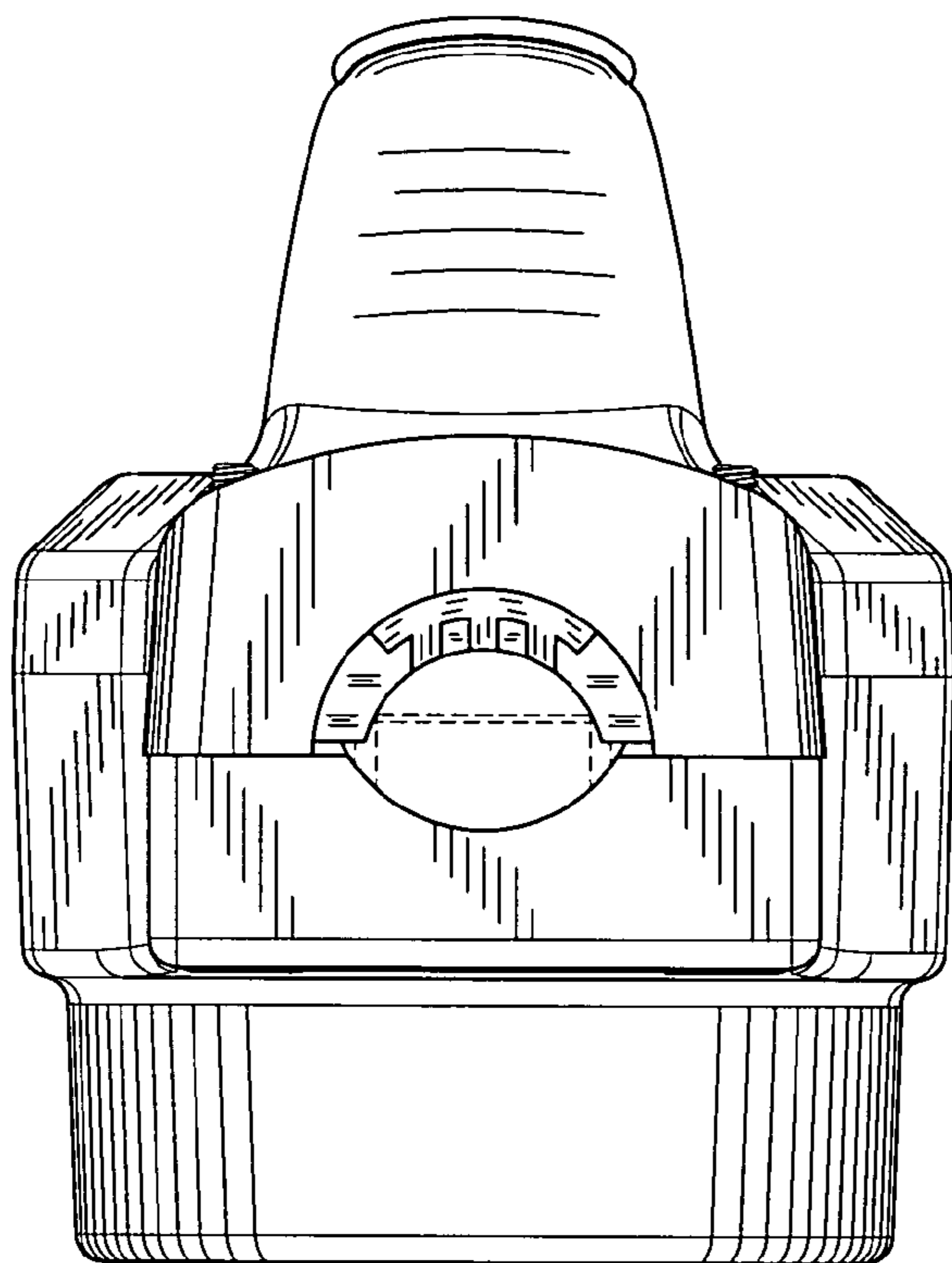


FIG. 2

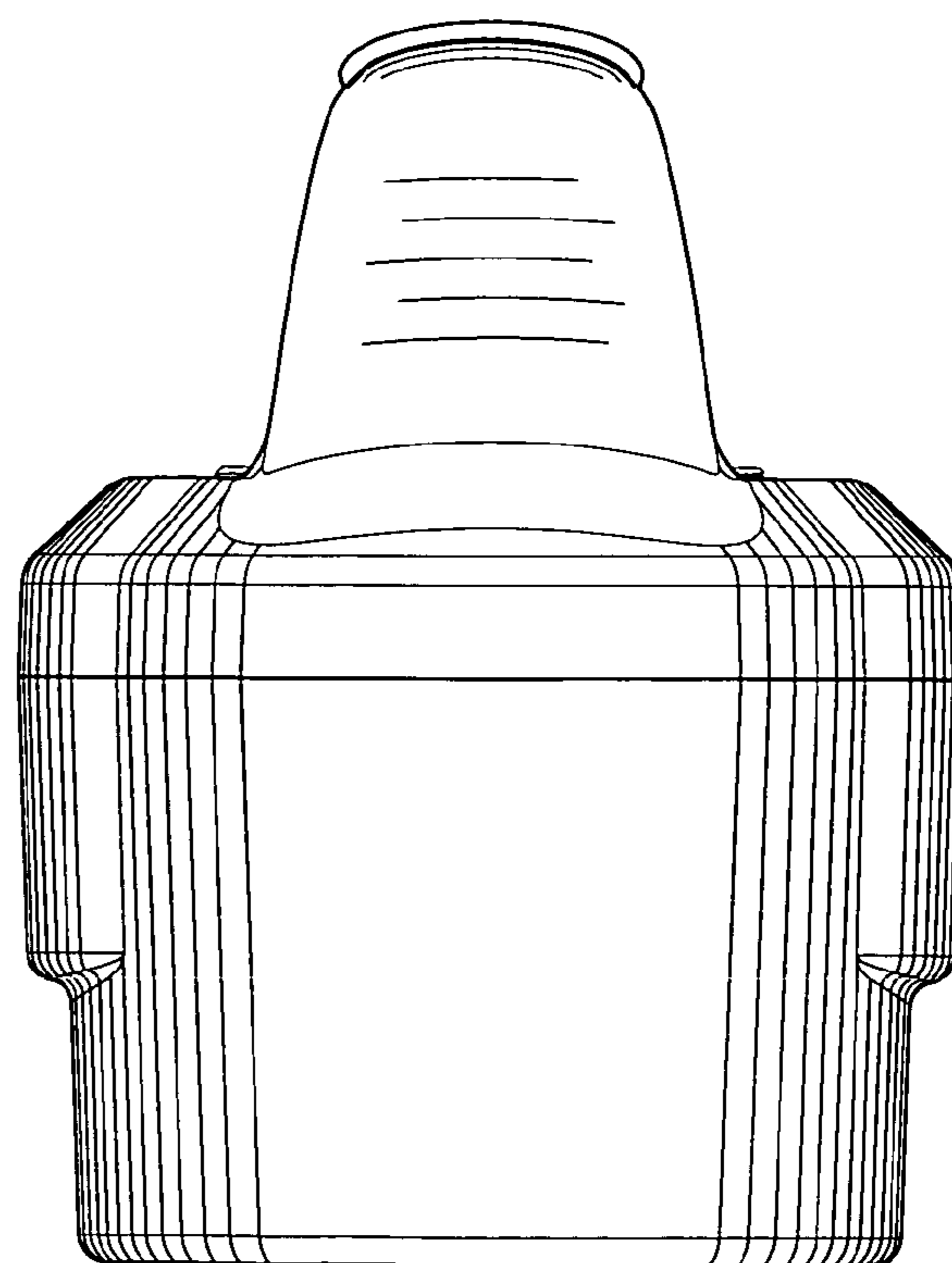


FIG. 3

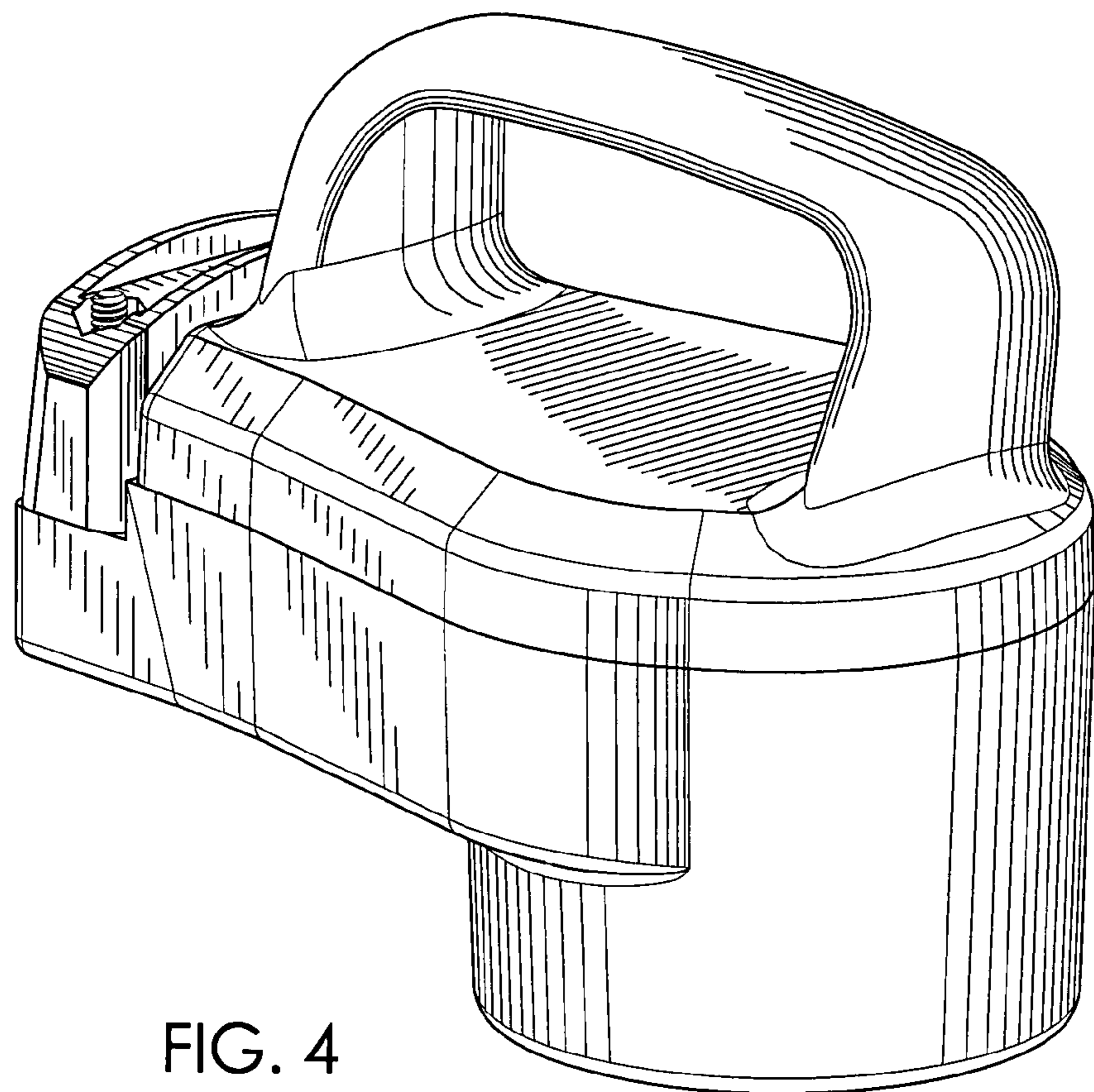


FIG. 4

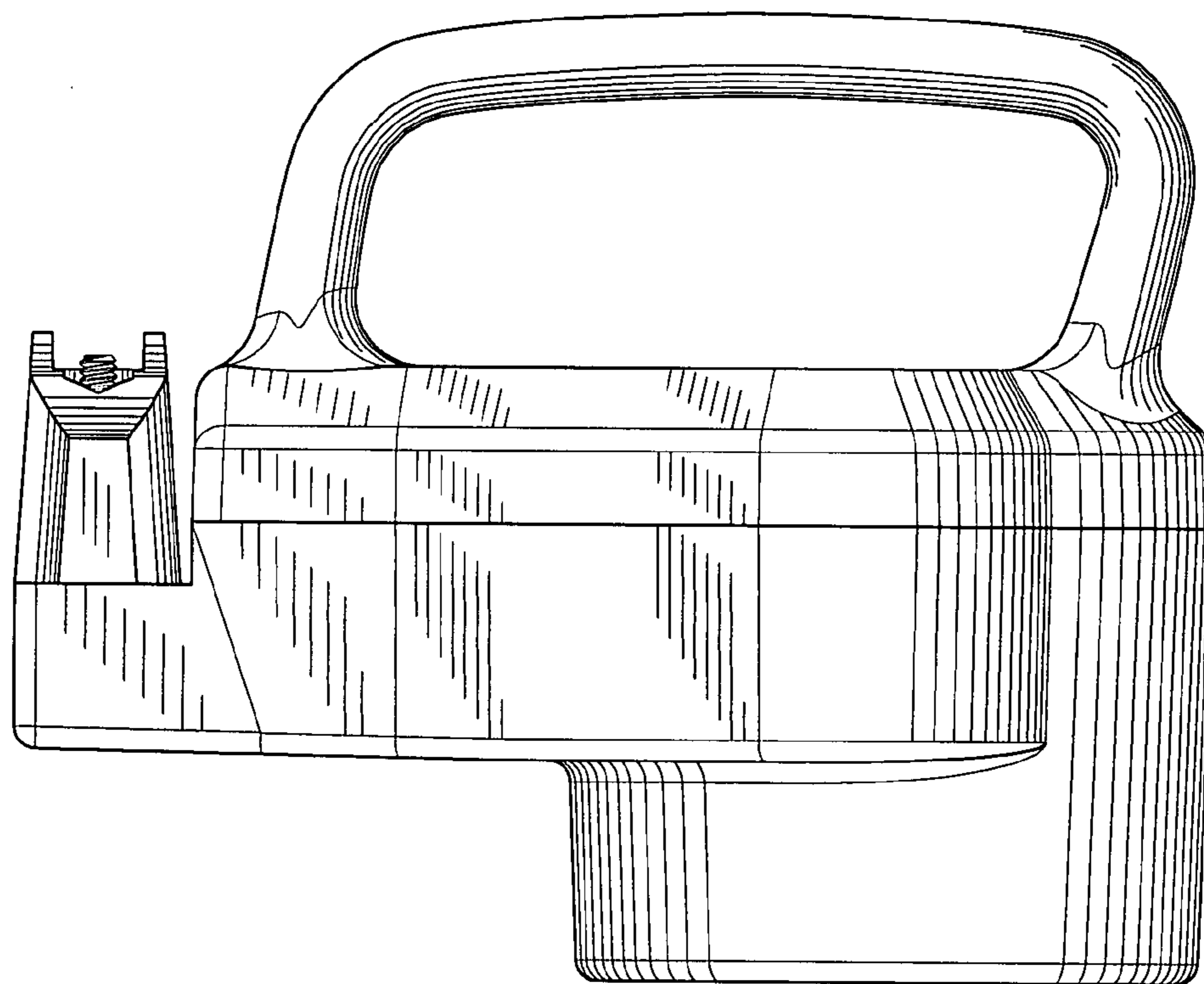


FIG. 5

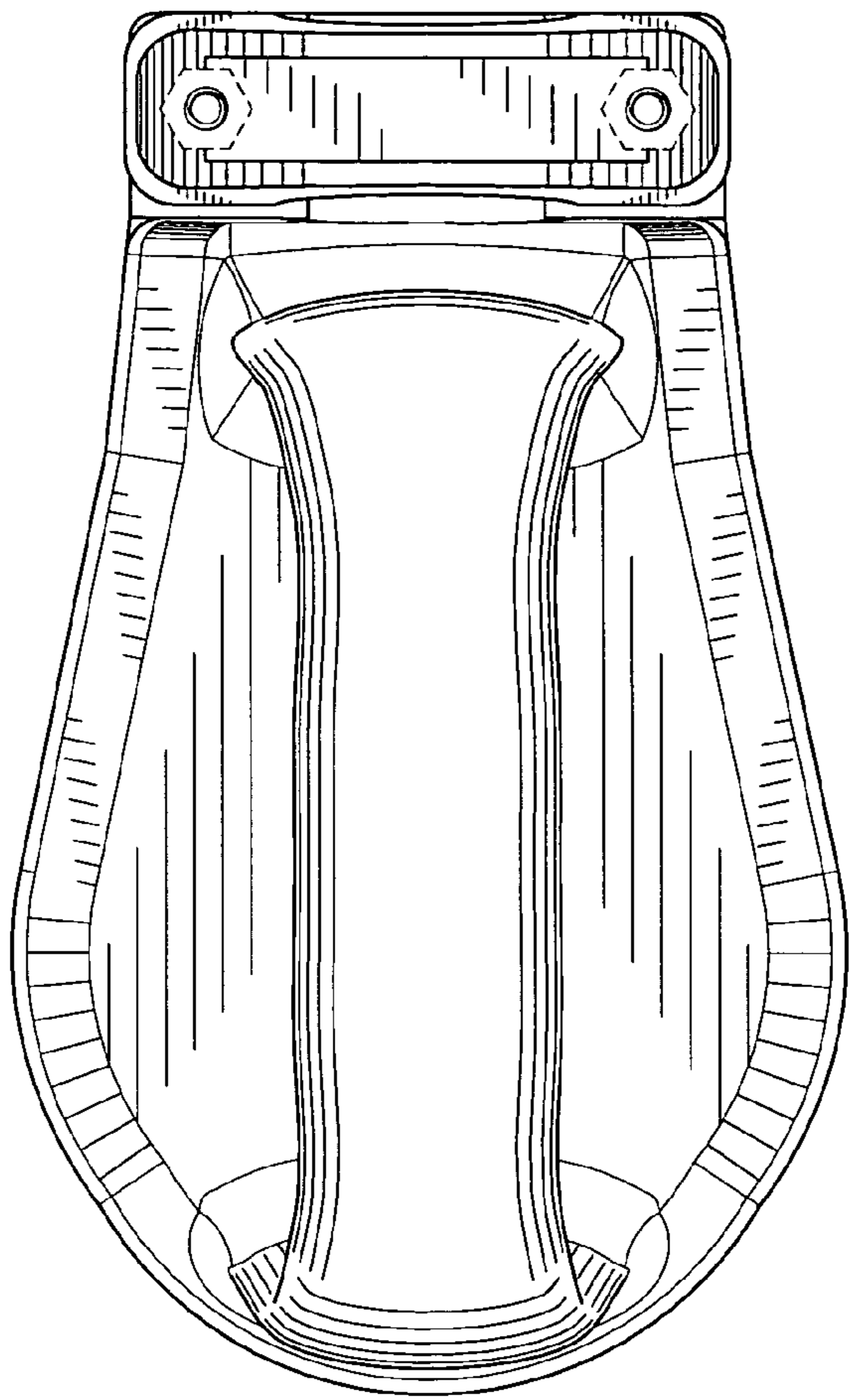


FIG. 6

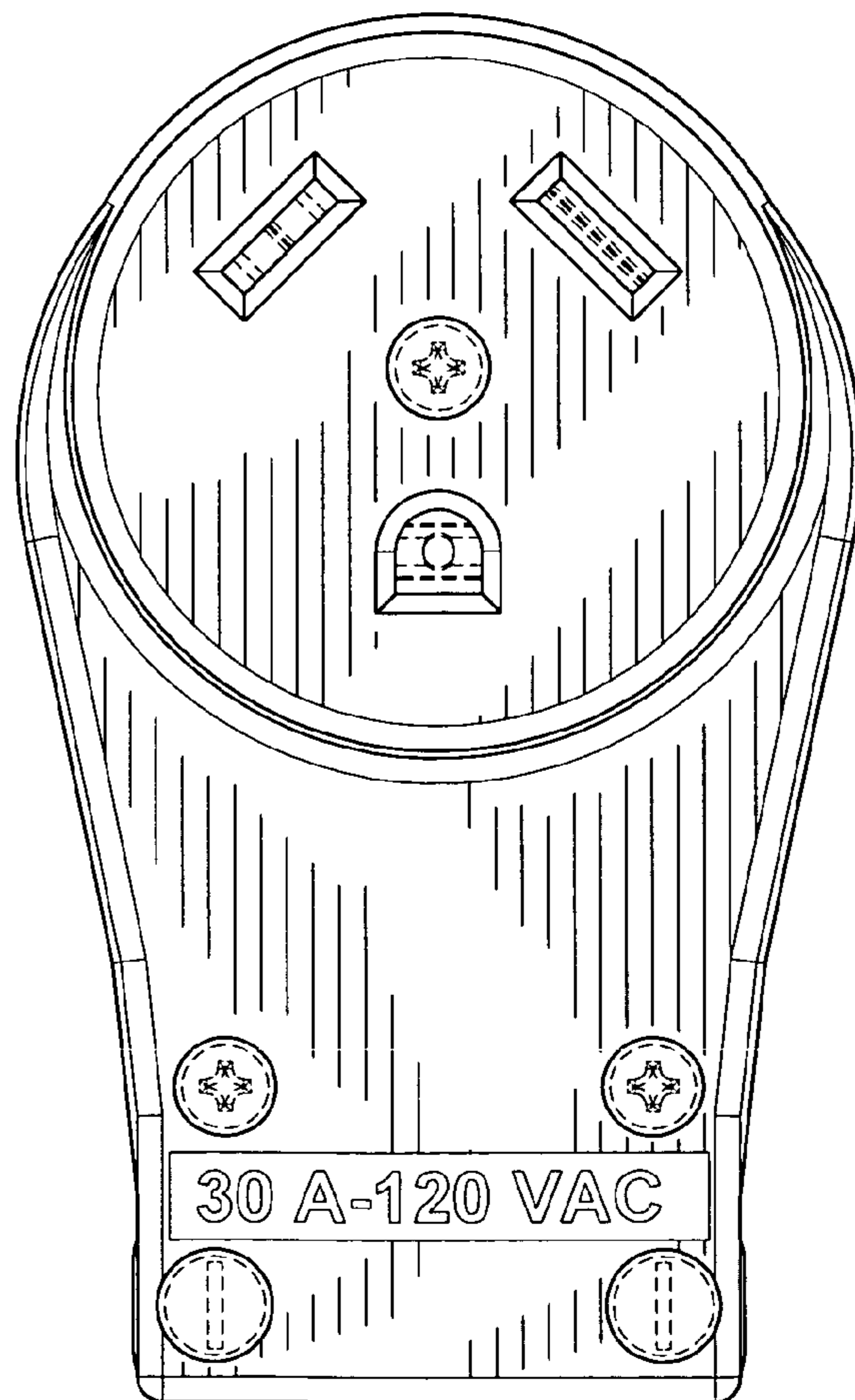


FIG. 7