



US00D602429S

(12) **United States Design Patent**
Chen

(10) **Patent No.:** **US D602,429 S**

(45) **Date of Patent:** **** Oct. 20, 2009**

(54) **SOLAR POWERED LANTERN CHARGING CASE WITH BATTERY**

(75) Inventor: **Chi Gon Chen**, Guang Zhou (CN)

(73) Assignee: **International Development LLC**,
Roanoke, TX (US)

(**) Term: **14 Years**

(21) Appl. No.: **29/321,058**

(22) Filed: **Jul. 10, 2008**

(51) **LOC (9) Cl.** **13-02**

(52) **U.S. Cl.** **D13/108; D13/102; D13/103**

(58) **Field of Classification Search** D13/102-110,
D13/118-121, 184; D14/251, 253, 432,
D14/434; 320/107-115; 429/96-100, 163,
429/176

See application file for complete search history.

(56) **References Cited**

U.S. PATENT DOCUMENTS

D93,366 S *	9/1934	Ward	D13/104
2,058,755 A *	10/1936	Arnesen	429/97
D252,354 S *	7/1979	Uyeda	D3/302
D272,304 S *	1/1984	Palermo et al.	D6/432
D298,029 S *	10/1988	Foster	D13/119
D303,651 S *	9/1989	Strumor	D13/102
D310,817 S *	9/1990	Johnson et al.	D13/119
D360,877 S *	8/1995	Ropponen et al.	D13/184
D420,324 S *	2/2000	Wan	D13/107
D432,078 S *	10/2000	Chen	D13/103
D552,029 S *	10/2007	Kingston et al.	D13/108

D553,077 S * 10/2007 Kim et al. D13/108

* cited by examiner

Primary Examiner—Jennifer Rivard

Assistant Examiner—Rosemary K Tarcza

(74) *Attorney, Agent, or Firm*—David W. Carstens; Carstens & Cahoon, LLP

(57) **CLAIM**

The ornamental design for a solar powered lantern charging case with battery, as shown and described.

DESCRIPTION

FIG. 1 is a front perspective view of the solar powered lantern charging case with battery of the present invention in a closed position;

FIG. 2 is a rear perspective view thereof;

FIG. 3 is a front elevation view thereof;

FIG. 4 is a left side elevation view, the right side elevation view being a mirror image thereof;

FIG. 5 is a rear elevation view thereof;

FIG. 6 is a top plan view thereof;

FIG. 7 is a bottom plan view thereof;

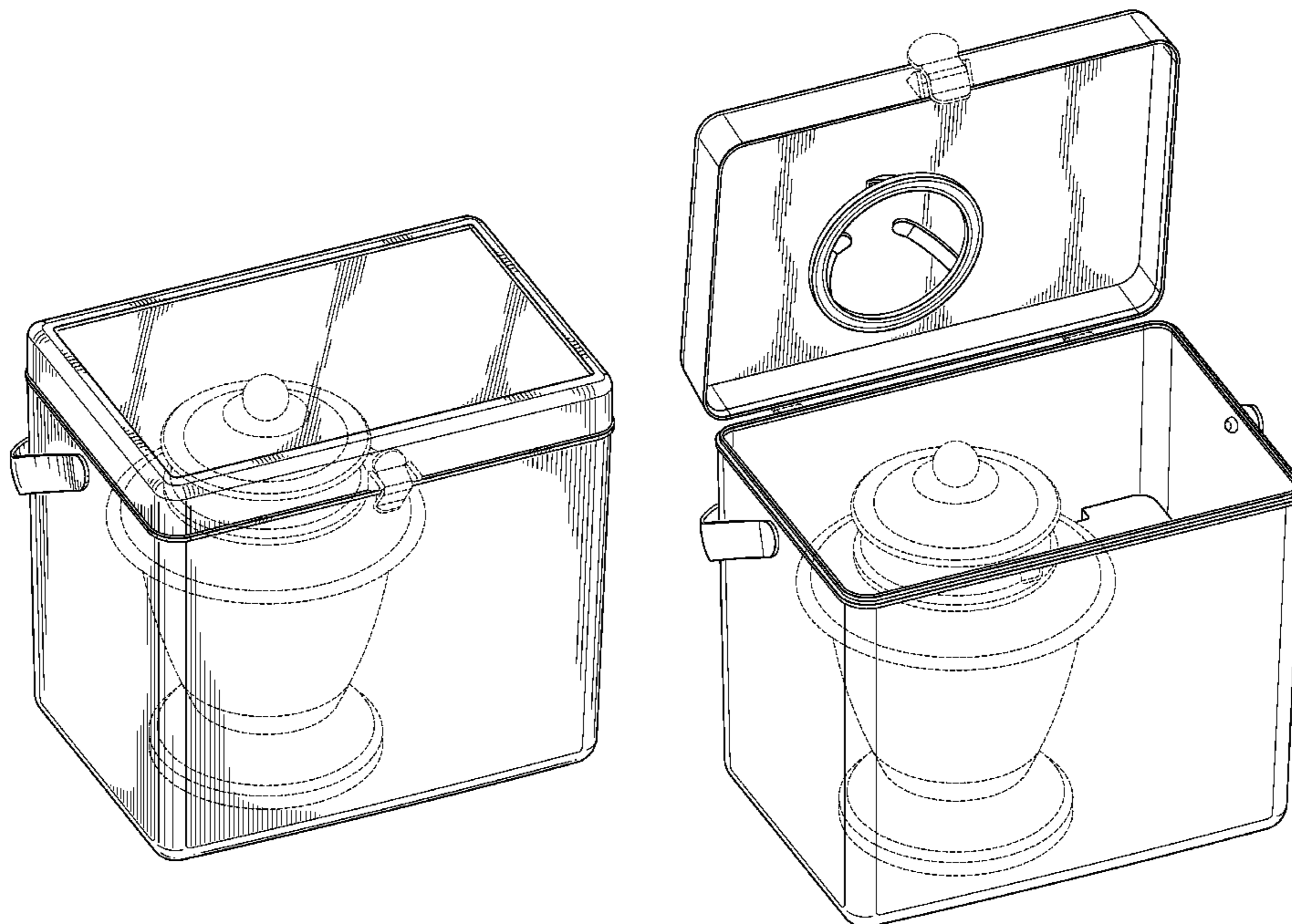
FIG. 8 is a front perspective view of the solar powered lantern charging case with battery of the present invention in an opened position;

FIG. 9 is a front elevation view thereof; and,

FIG. 10 is a top plan view thereof.

The broken lines are shown in the views for illustrative purposes only and form no part of the claimed design.

1 Claim, 9 Drawing Sheets



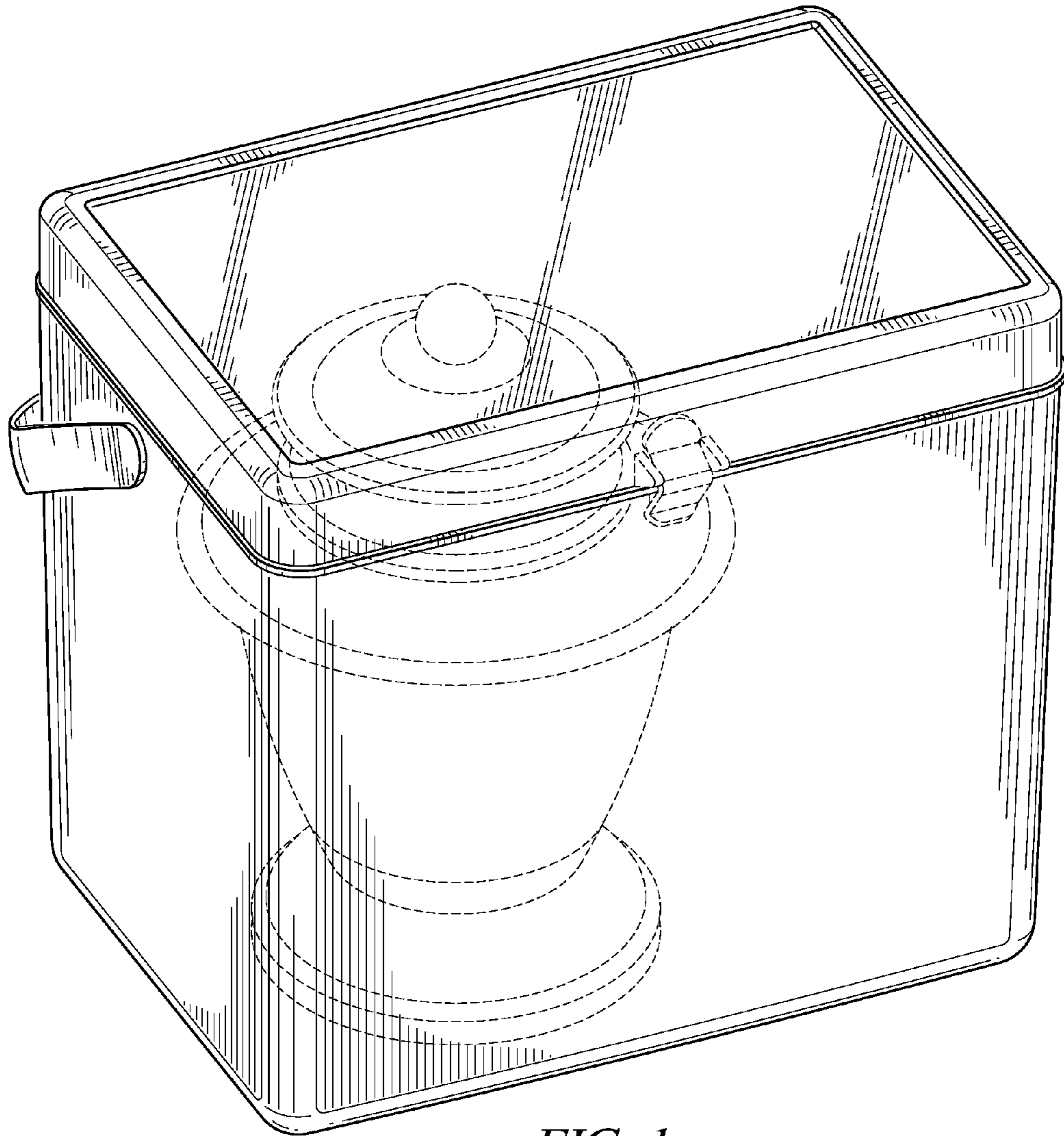


FIG. 1

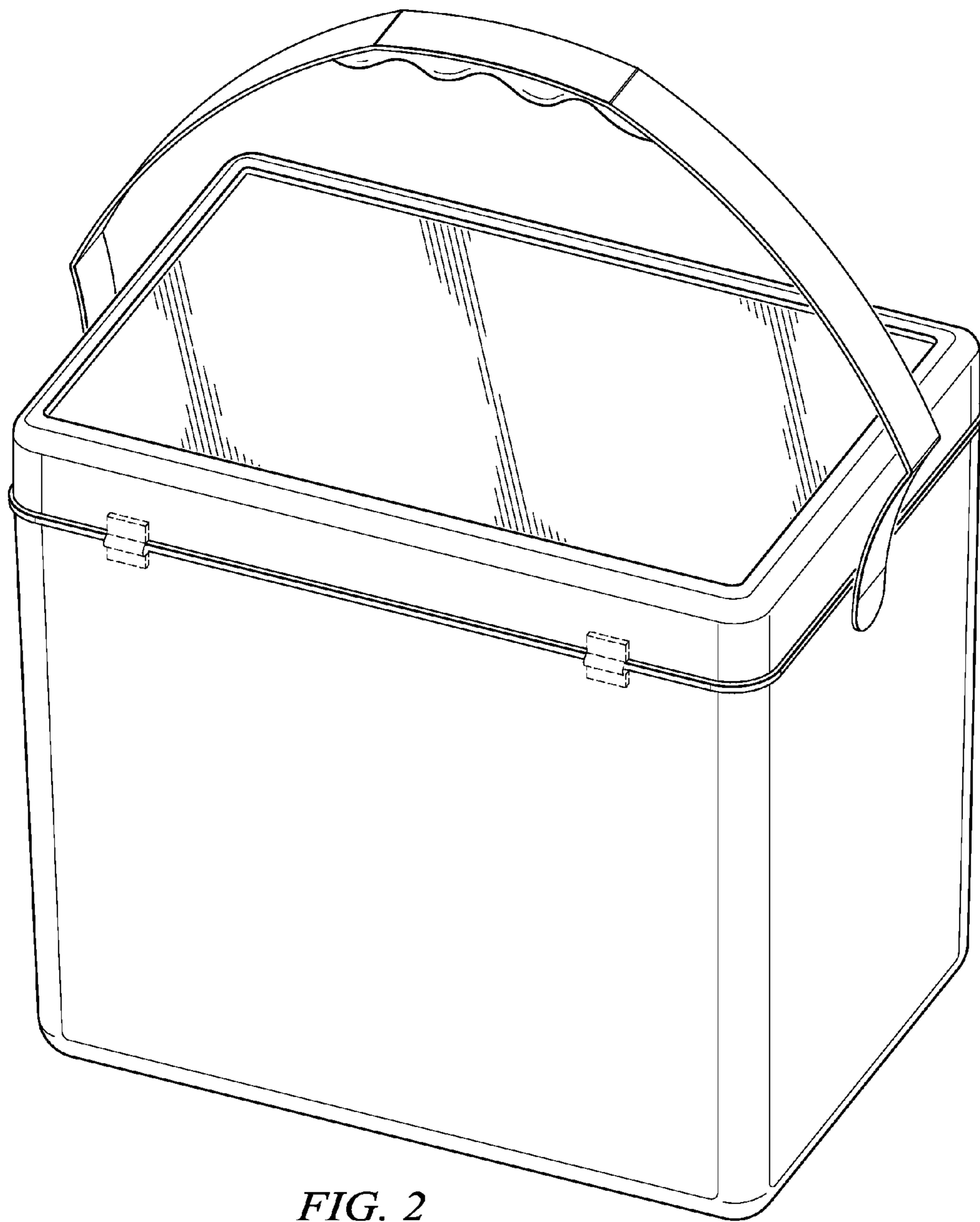


FIG. 2

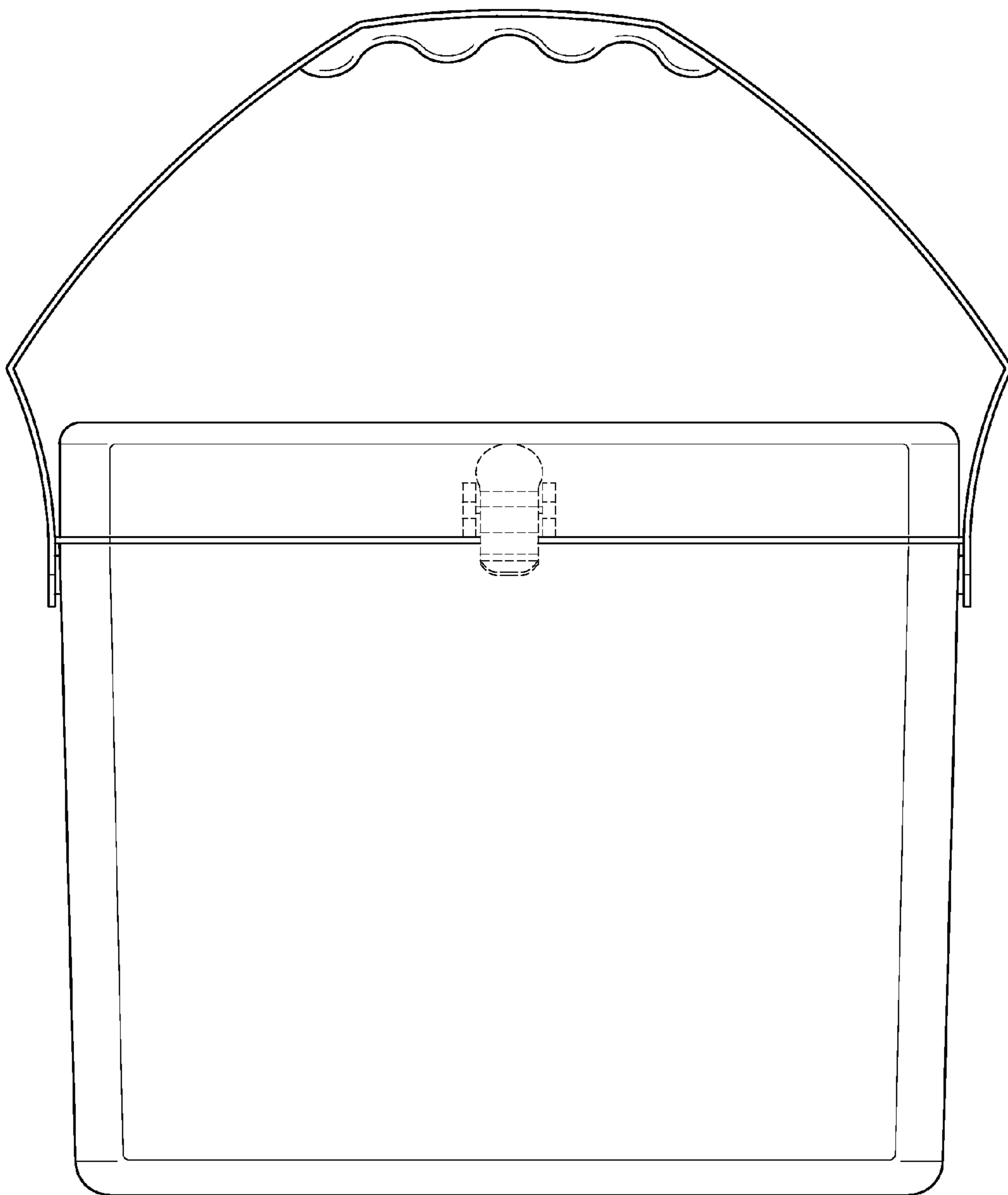


FIG. 3

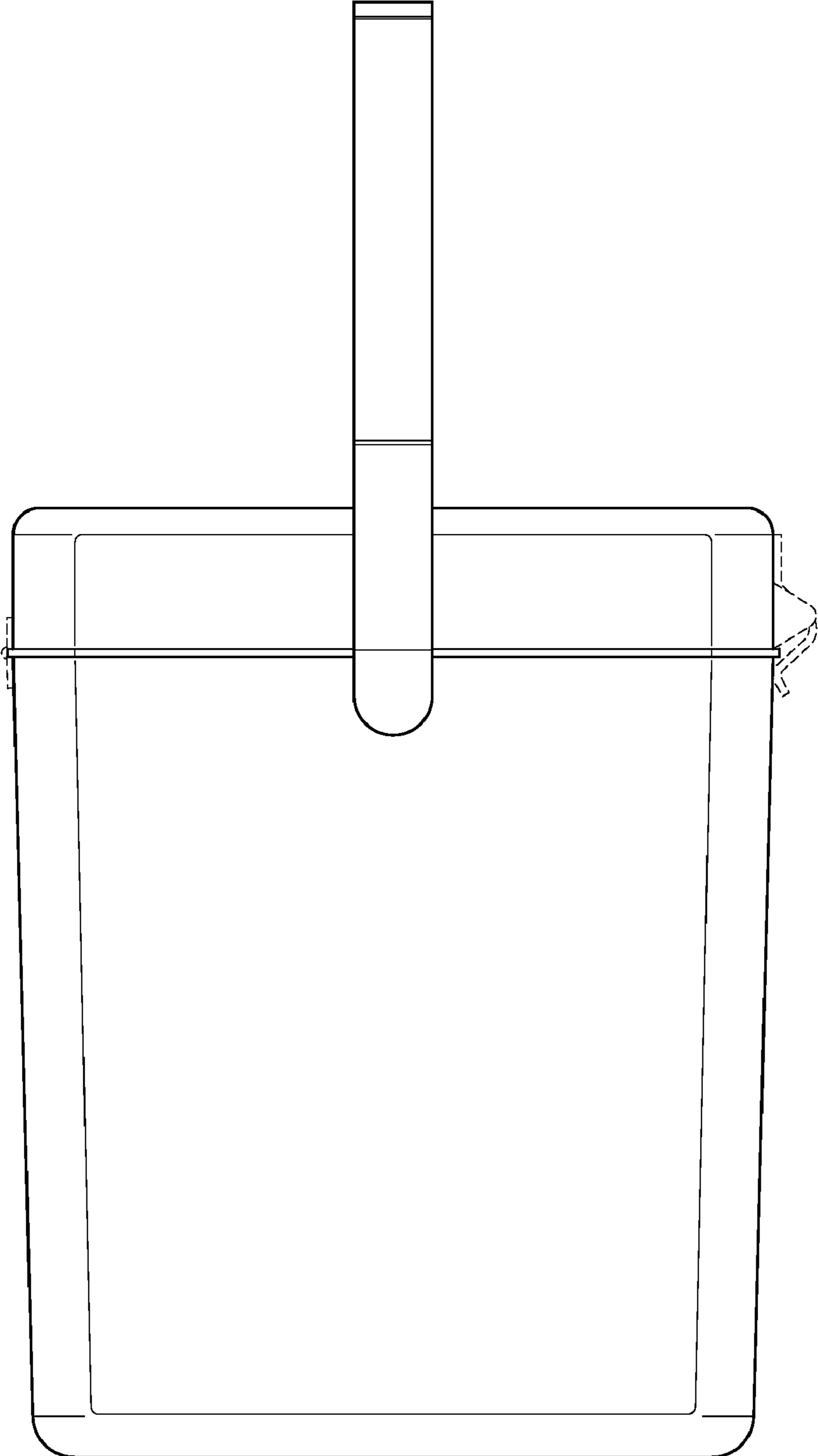


FIG. 4

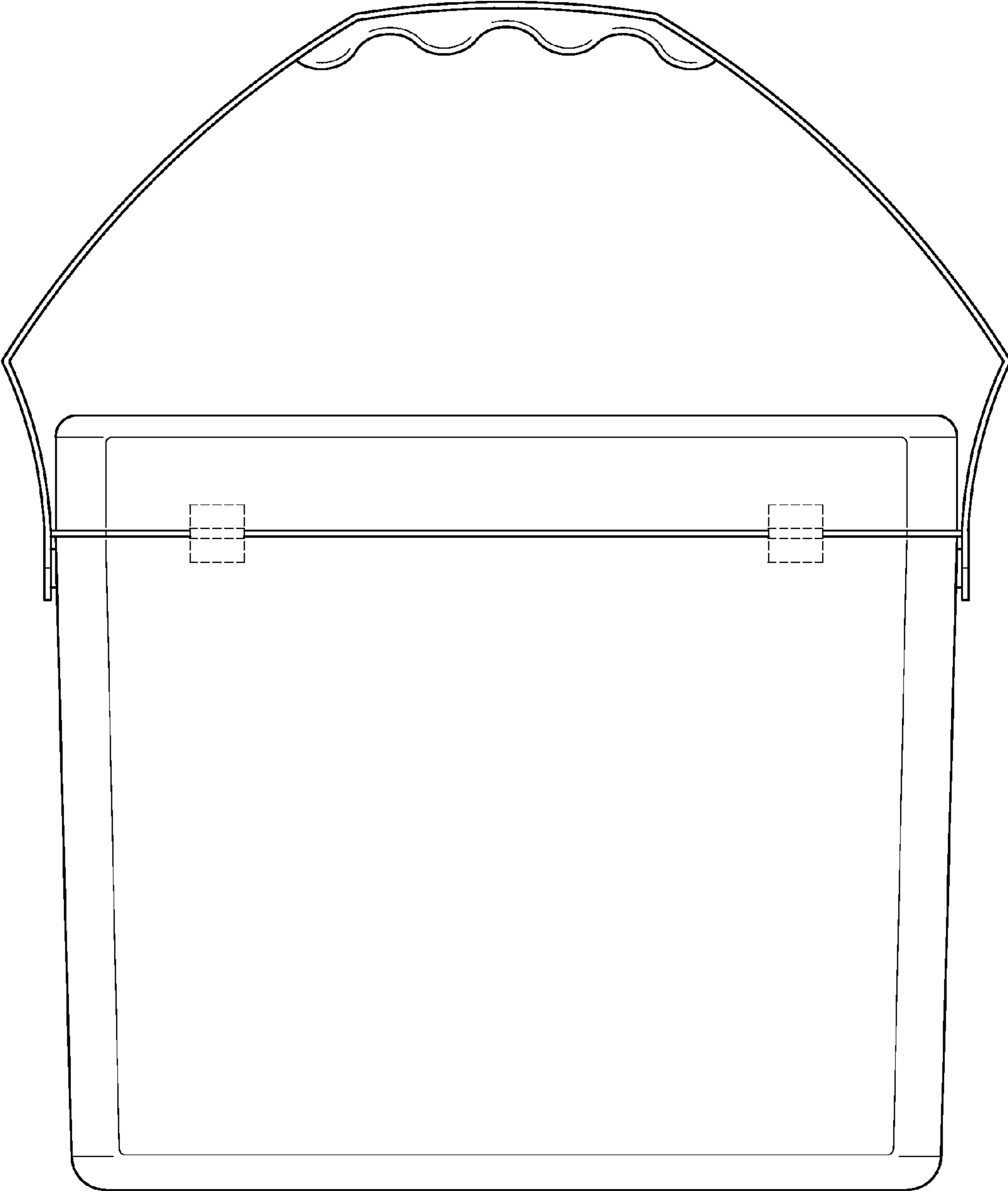


FIG. 5



FIG. 6

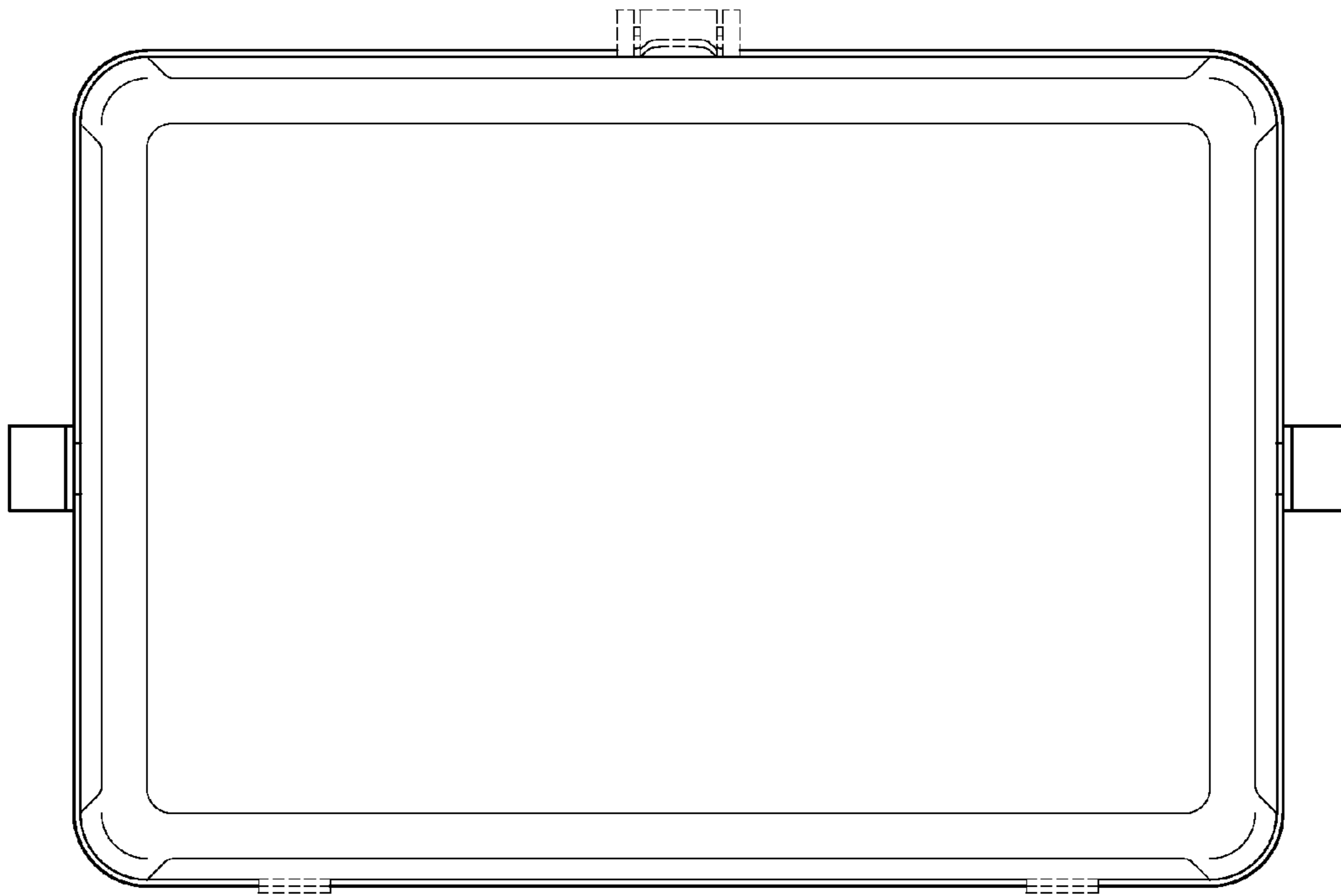


FIG. 7

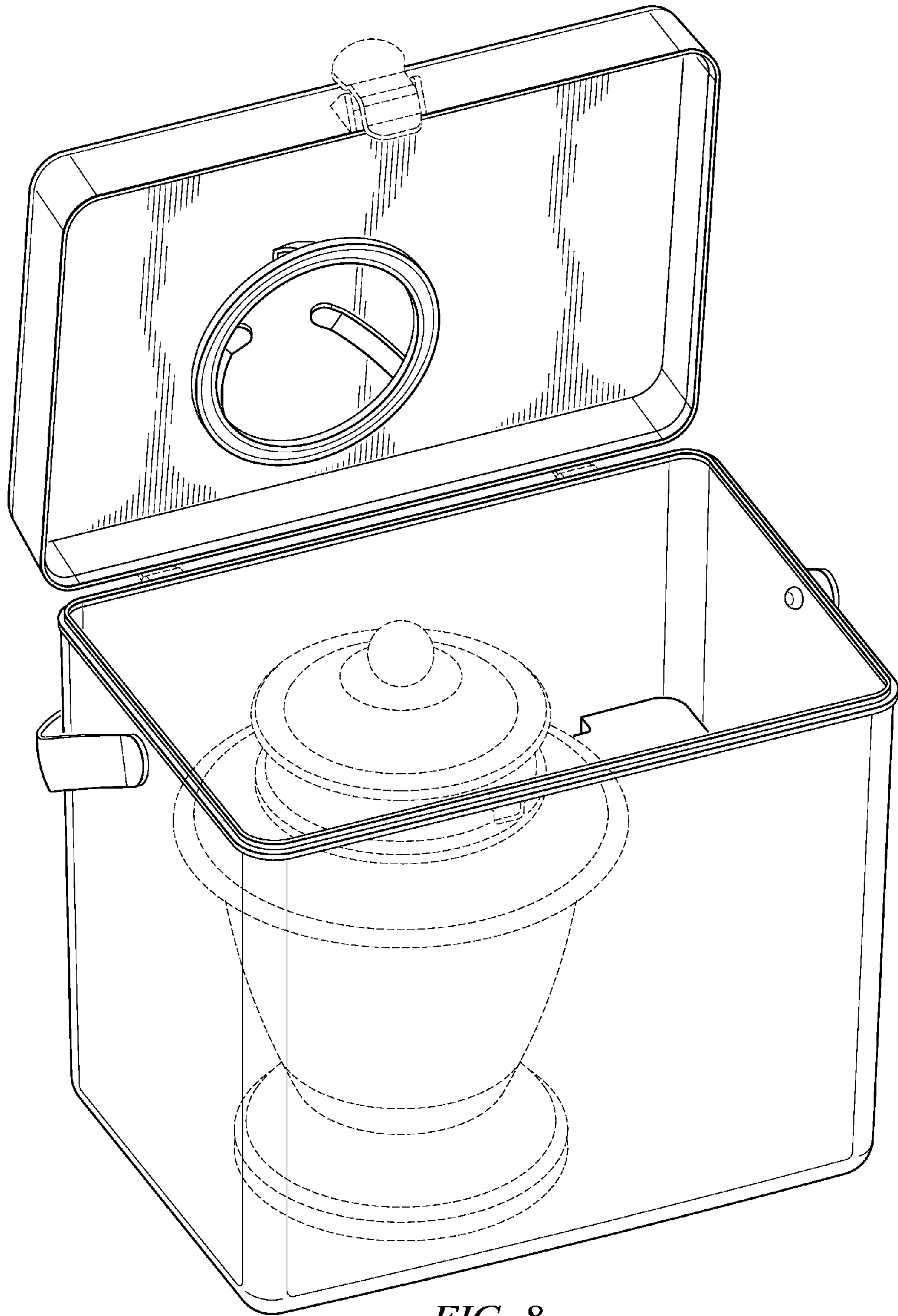


FIG. 8

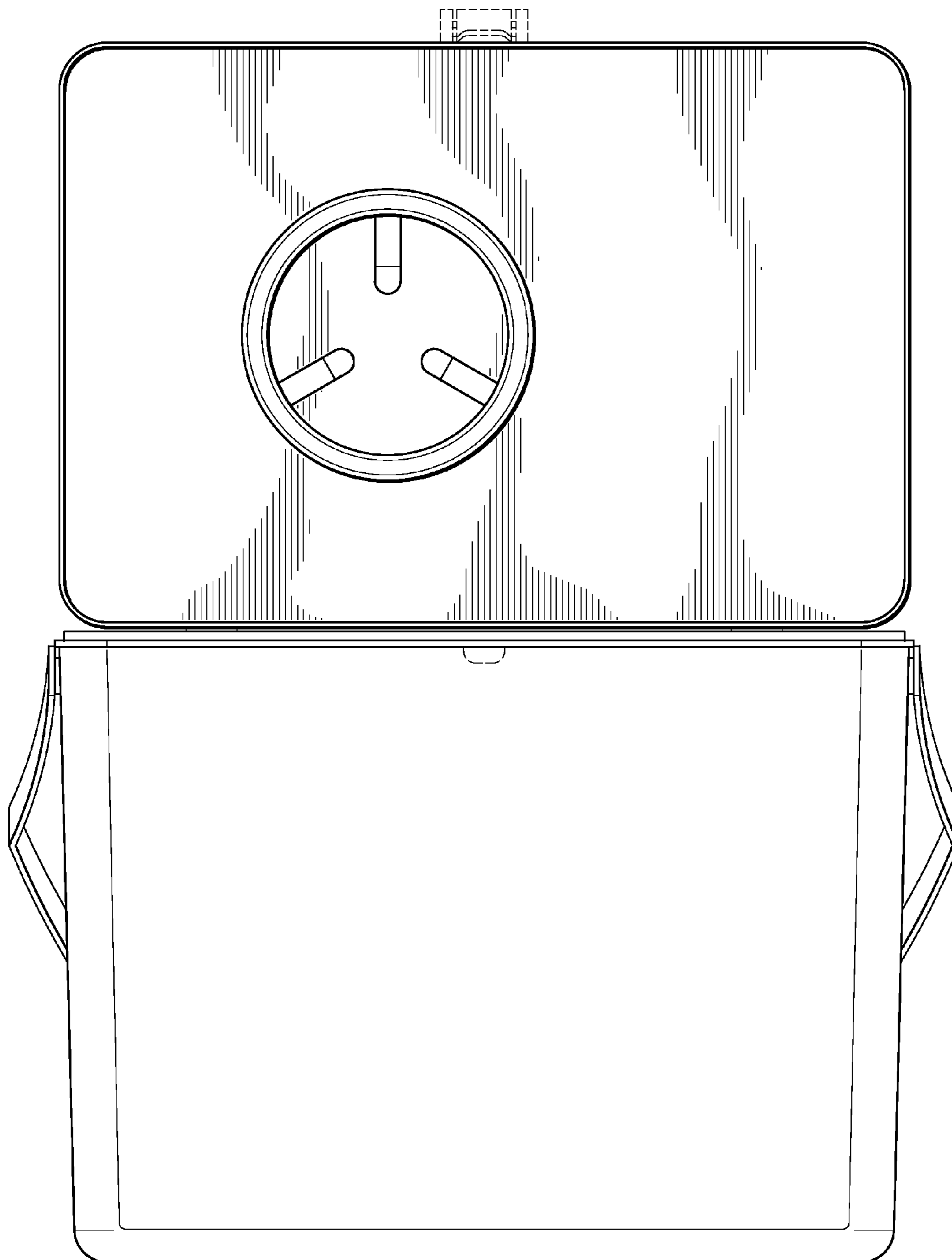


FIG. 9

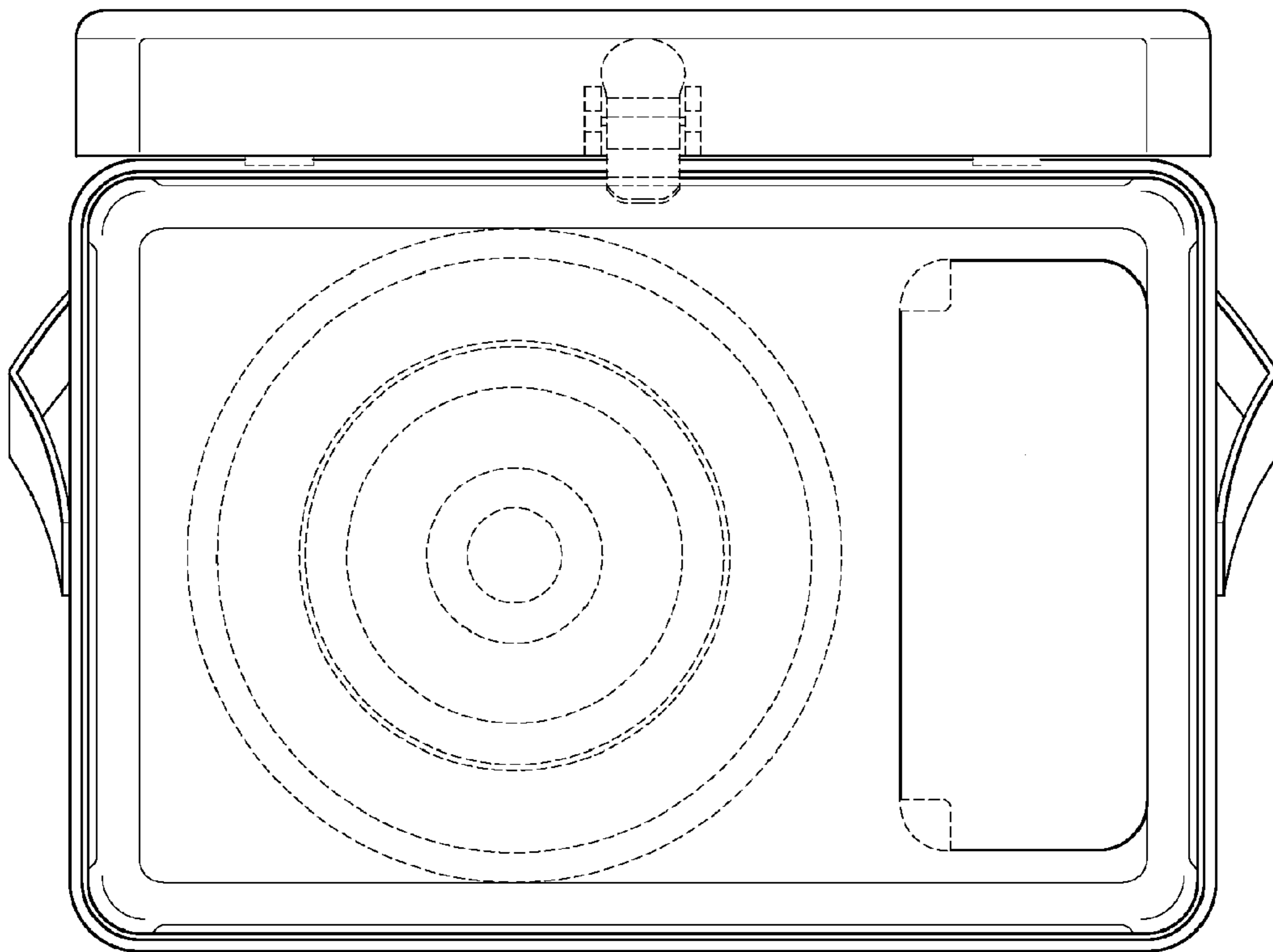


FIG. 10

UNITED STATES PATENT AND TRADEMARK OFFICE
CERTIFICATE OF CORRECTION

PATENT NO. : Des. 602,429 S
APPLICATION NO. : 29/321058
DATED : October 20, 2009
INVENTOR(S) : Chi Gon Chen

Page 1 of 4

It is certified that error appears in the above-identified patent and that said Letters Patent is hereby corrected as shown below:

Title page should be deleted and substitute therefore the attached title page.

Drawings:

Delete Figs. 1 & 8 and substitute therefore Figs. 1 & 8 as shown on the attached pages.

Signed and Sealed this

Sixteenth Day of March, 2010

A handwritten signature in black ink that reads "David J. Kappos". The signature is written in a cursive, flowing style.

David J. Kappos
Director of the United States Patent and Trademark Office

(12) United States Design Patent
Chen

(10) Patent No.: **US D602,429 S**
(45) Date of Patent: **** Oct. 20, 2009**

(54) SOLAR POWERED LANTERN CHARGING CASE WITH BATTERY

(75) Inventor: **Chi Gon Chen, Guang Zhou (CN)**

(73) Assignee: **International Development LLC, Roanoke, TX (US)**

(**) Term: **14 Years**

(21) Appl. No.: **29/321,058**

(22) Filed: **Jul. 10, 2008**

(51) LOC (9) Cl. **13-02**

(52) U.S. Cl. **D13/108; D13/102; D13/103**

(58) Field of Classification Search **D13/102-110, D13/118-121, 184; D14/251, 253, 432, D14/434: 320/107-115; 429/96-100, 163, 429/176**

See application file for complete search history.

(56) References Cited

U.S. PATENT DOCUMENTS

- D93,366 S * 9/1934 Ward D13/104
- 2,058,755 A * 10/1936 Arnesen 429/97
- D252,354 S * 7/1979 Uyeda D3/302
- D272,304 S * 1/1984 Palermo et al. D6/432
- D298,029 S * 10/1988 Foster D13/119
- D303,651 S * 9/1989 Strumor D13/102
- D310,817 S * 9/1990 Johnson et al. D13/119
- D360,877 S * 8/1995 Kopponen et al. D13/184
- D420,324 S * 2/2000 Wan D13/107
- D432,078 S * 10/2000 Chen D13/103
- D552,029 S * 10/2007 Kingston et al. D13/108

D553,077 S * 10/2007 Kim et al. D13/108

* cited by examiner

Primary Examiner—Jennifer Rivard

Assistant Examiner—Rosemary K Tarcza

(74) Attorney, Agent, or Firm—David W. Carstens; Carstens & Cahoon, LLP

(57) CLAIM

The ornamental design for a solar powered lantern charging case with battery, as shown and described.

DESCRIPTION

FIG. 1 is a front perspective view of the solar powered lantern charging case with battery of the present invention in a closed position;

FIG. 2 is a rear perspective view thereof;

FIG. 3 is a front elevation view thereof;

FIG. 4 is a left side elevation view, the right side elevation view being a mirror image thereof;

FIG. 5 is a rear elevation view thereof;

FIG. 6 is a top plan view thereof;

FIG. 7 is a bottom plan view thereof;

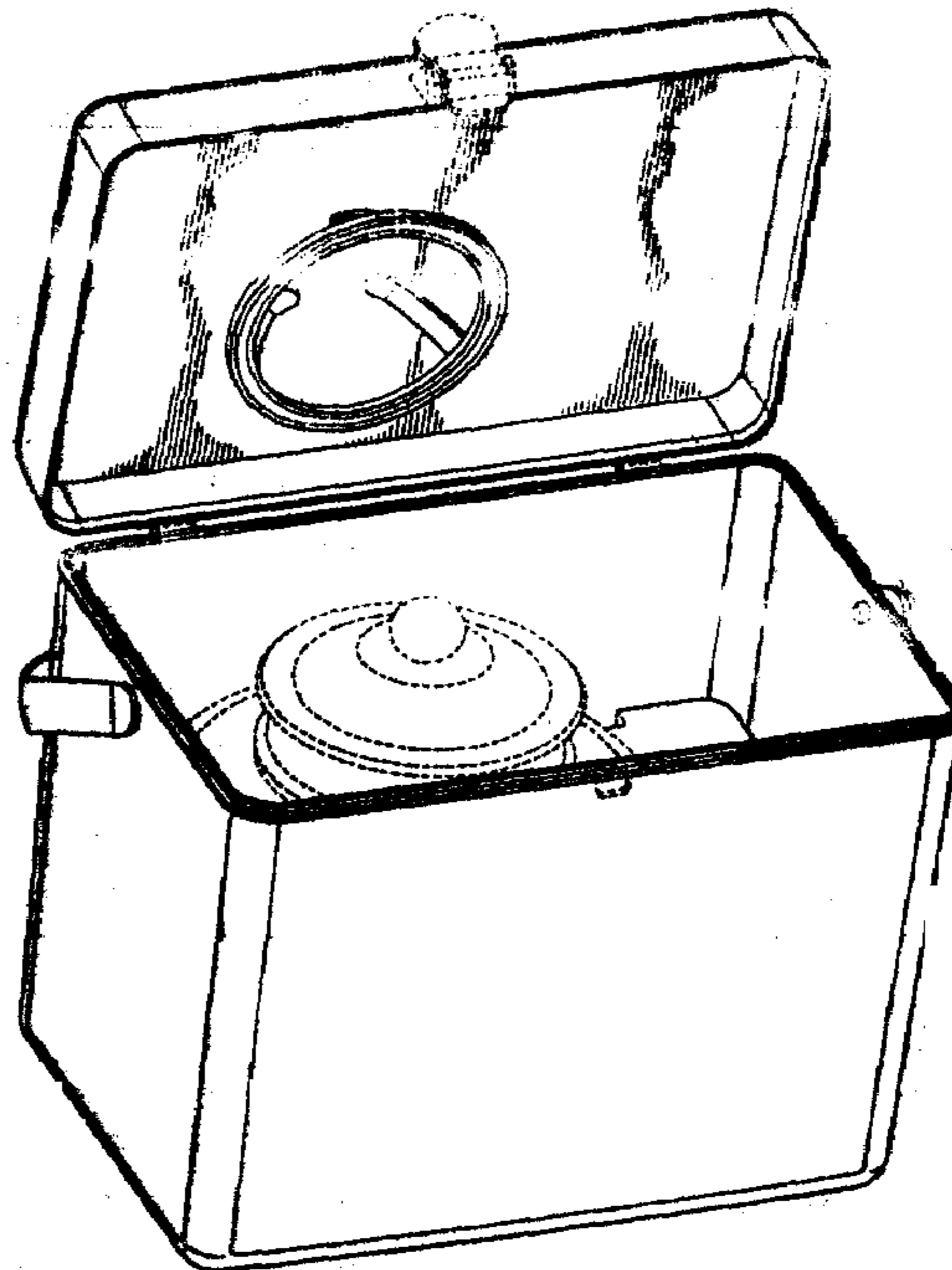
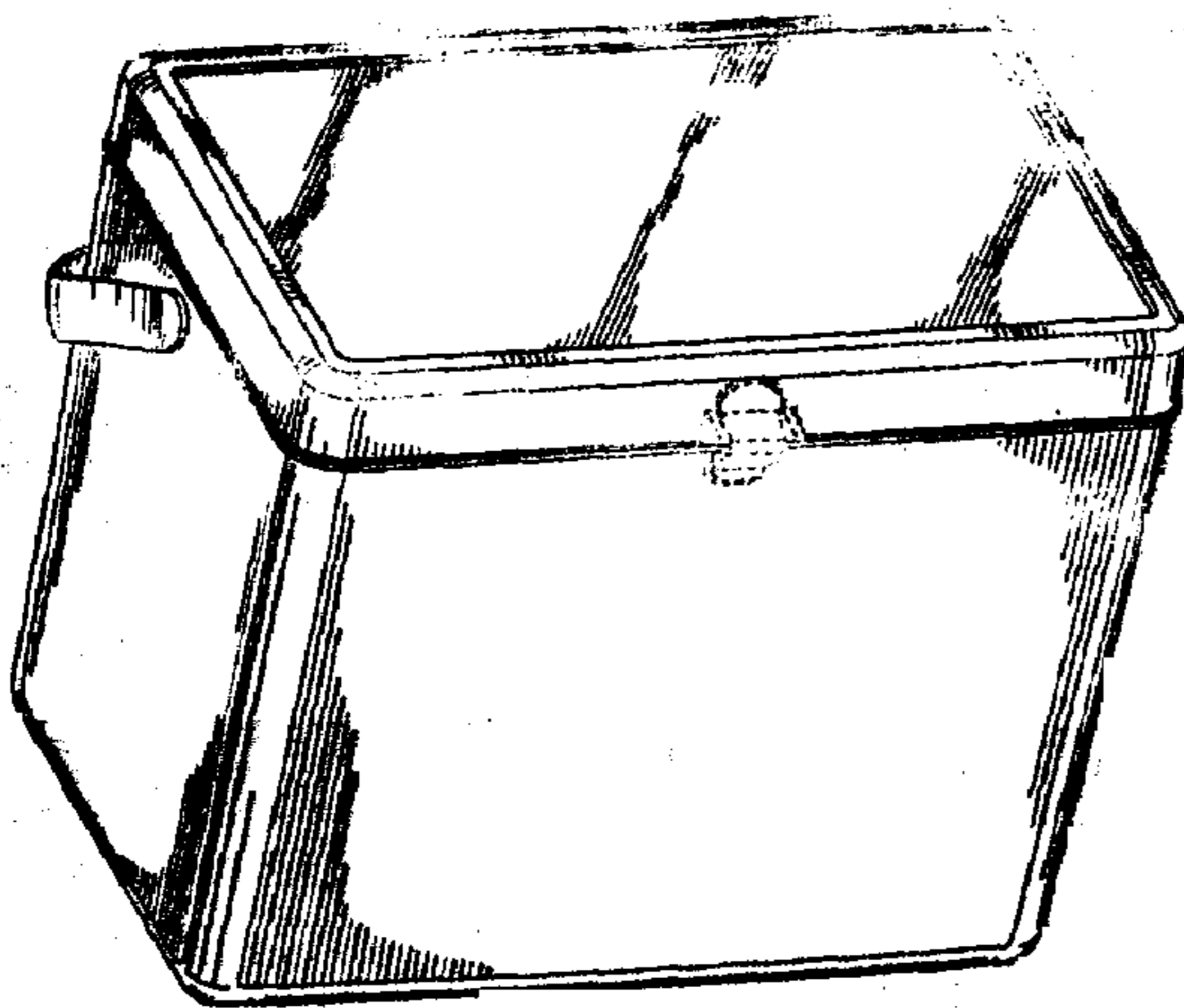
FIG. 8 is a front perspective view of the solar powered lantern charging case with battery of the present invention in an opened position;

FIG. 9 is a front elevation view thereof; and,

FIG. 10 is a top plan view thereof.

The broken lines are shown in the views for illustrative purposes only and form no part of the claimed design.

1 Claim, 9 Drawing Sheets



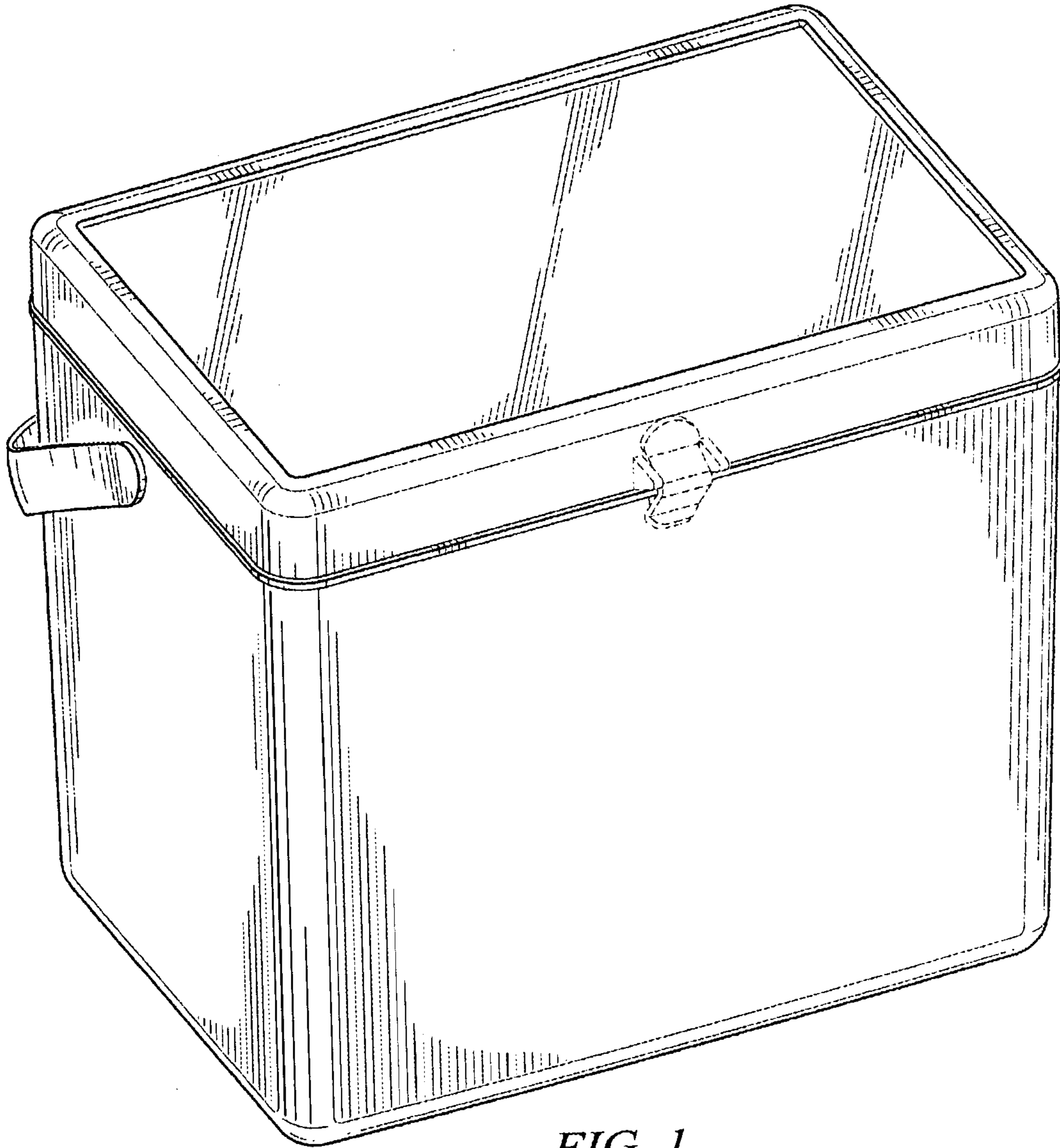


FIG. 1

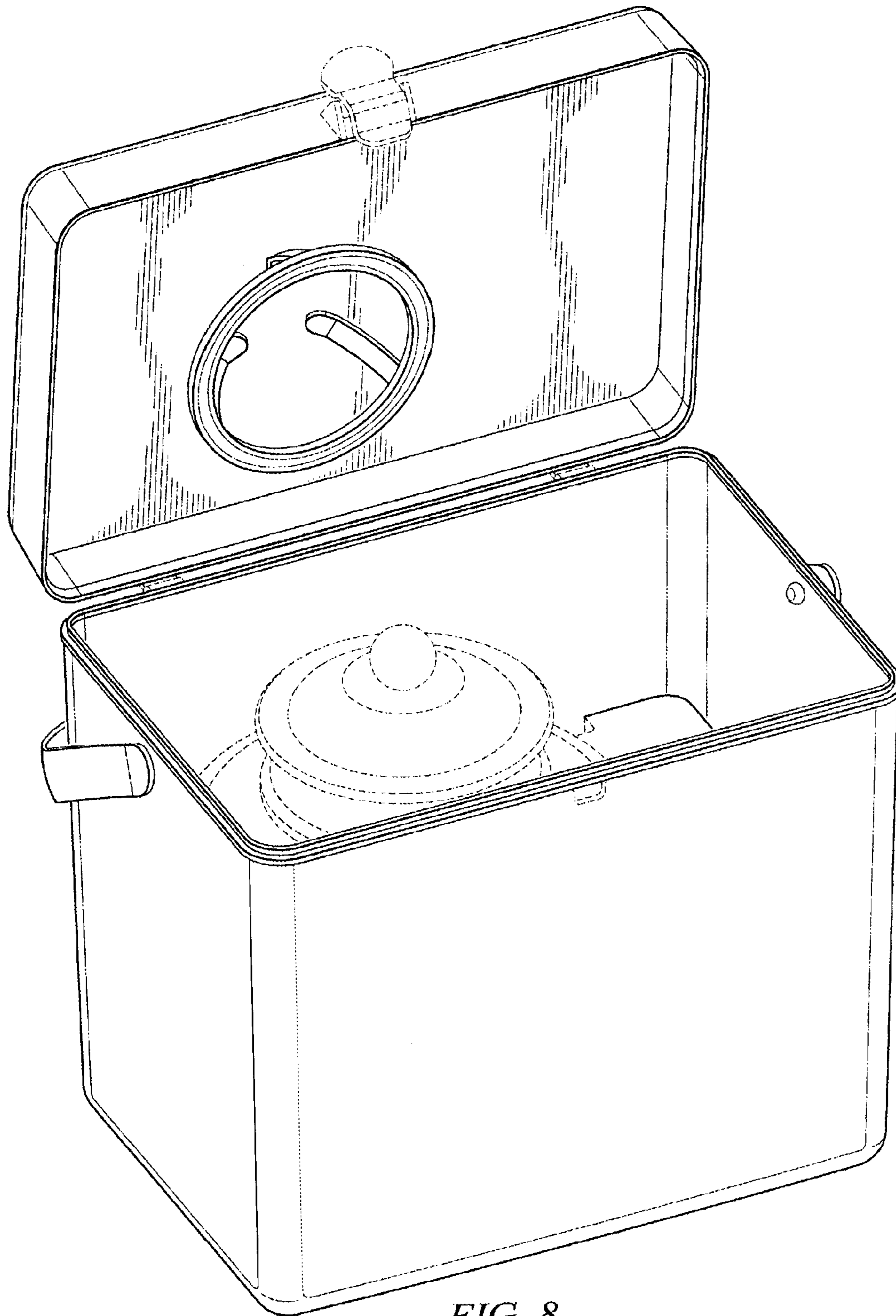


FIG. 8