



US00D602428S

(12) **United States Design Patent**  
**Masuda et al.**

(10) **Patent No.:** **US D602,428 S**  
(45) **Date of Patent:** **\*\* Oct. 20, 2009**

(54) **ASSEMBLED BATTERY**

(75) Inventors: **Hideki Masuda**, Kyoto (JP); **Osamu Ushijima**, Kyoto (JP); **Junya Ueda**, Kyoto (JP)

(73) Assignee: **GS Yuasa Corporation**, Kyoto-Shi (JP)

(\*\*) Term: **14 Years**

(21) Appl. No.: **29/301,546**

(22) Filed: **Mar. 6, 2008**

(51) **LOC (9) Cl.** ..... **13-02**

(52) **U.S. Cl.** ..... **D13/103**

(58) **Field of Classification Search** ..... D13/102–106,  
D13/110, 118–121, 184; 429/96–100, 163,  
429/176

See application file for complete search history.

(56) **References Cited**

**U.S. PATENT DOCUMENTS**

D257,342 S \* 10/1980 Payne ..... D13/110

(Continued)

*Primary Examiner*—Jennifer Rivard

*Assistant Examiner*—Rosemary K Tarca

(74) *Attorney, Agent, or Firm*—Jordán and Hamburg LLP

(57) **CLAIM**

What is claimed the ornamental design for assembled battery, as shown and described.

**DESCRIPTION**

FIG. 1 is a front perspective view of assembled battery showing our first new design;

FIG. 2 is a top view thereof;

FIG. 3 is a front view thereof;

FIG. 4 is a bottom view thereof;

FIG. 5 is a back view thereof;

FIG. 6 is a right side view thereof;

FIG. 7 is a left side view thereof;

FIG. 8 is a sectional view taken along VIII—VIII of FIG. 3;

FIG. 9 is a front perspective view of assembled battery showing our second new design;

FIG. 10 is a top view thereof;

FIG. 11 is a front view thereof;

FIG. 12 is a bottom view thereof;

FIG. 13 is a back view thereof;

FIG. 14 is a right side view thereof;

FIG. 15 is a left side view thereof;

FIG. 16 is a sectional view taken along XVI—XVI of FIG. 11;

FIG. 17 is a front perspective view of assembled battery showing our third new design;

FIG. 18 is a top view thereof;

FIG. 19 is a front view thereof;

FIG. 20 is a bottom view thereof;

FIG. 21 is a back view thereof;

FIG. 22 is a right side view thereof;

FIG. 23 is a left side view thereof;

FIG. 24 is a sectional view taken along XXIII—XXIII of FIG. 19;

FIG. 25 is a front perspective view of assembled battery showing our fourth new design;

FIG. 26 is a top view thereof;

FIG. 27 is a front view thereof;

FIG. 28 is a bottom view thereof;

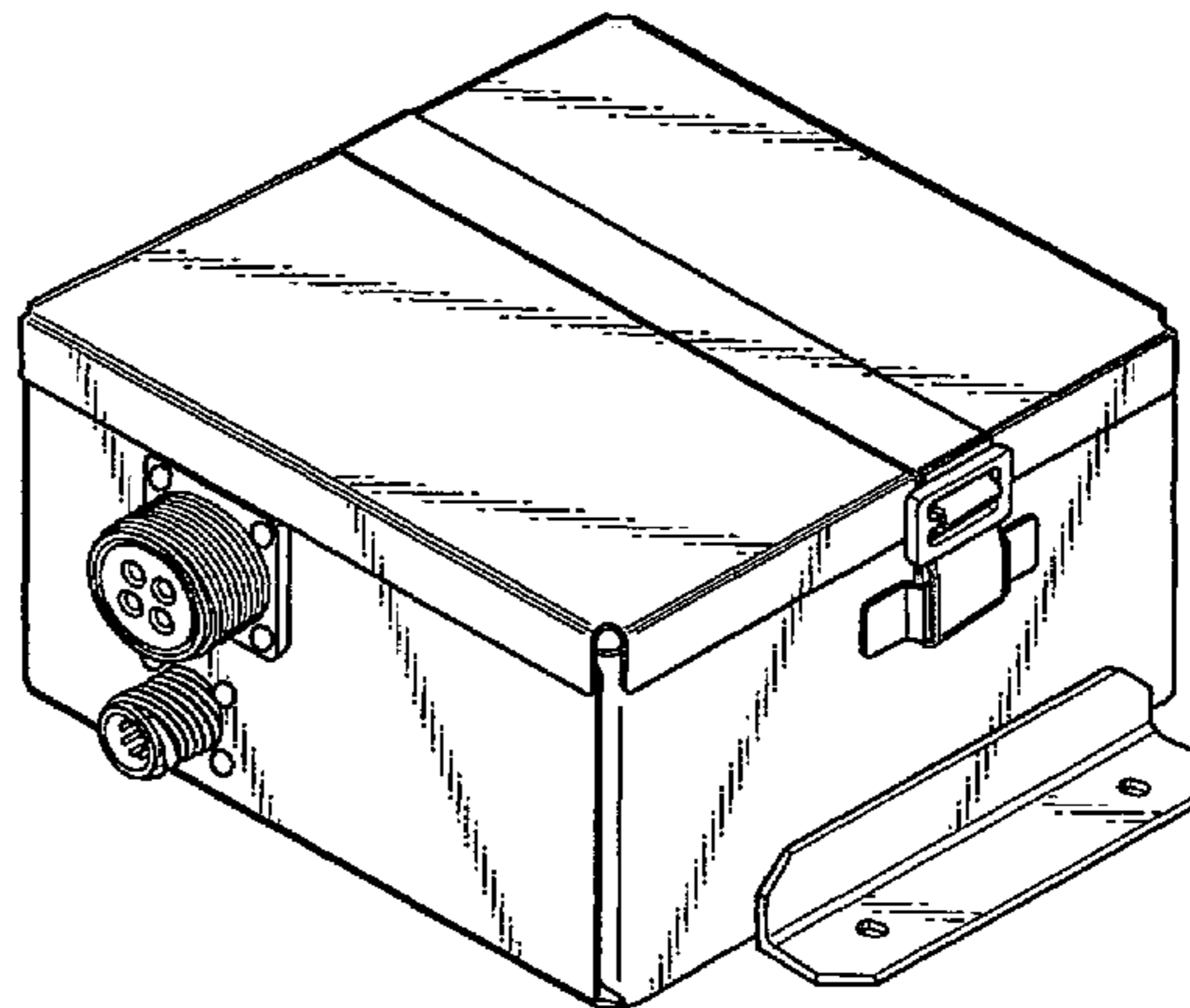
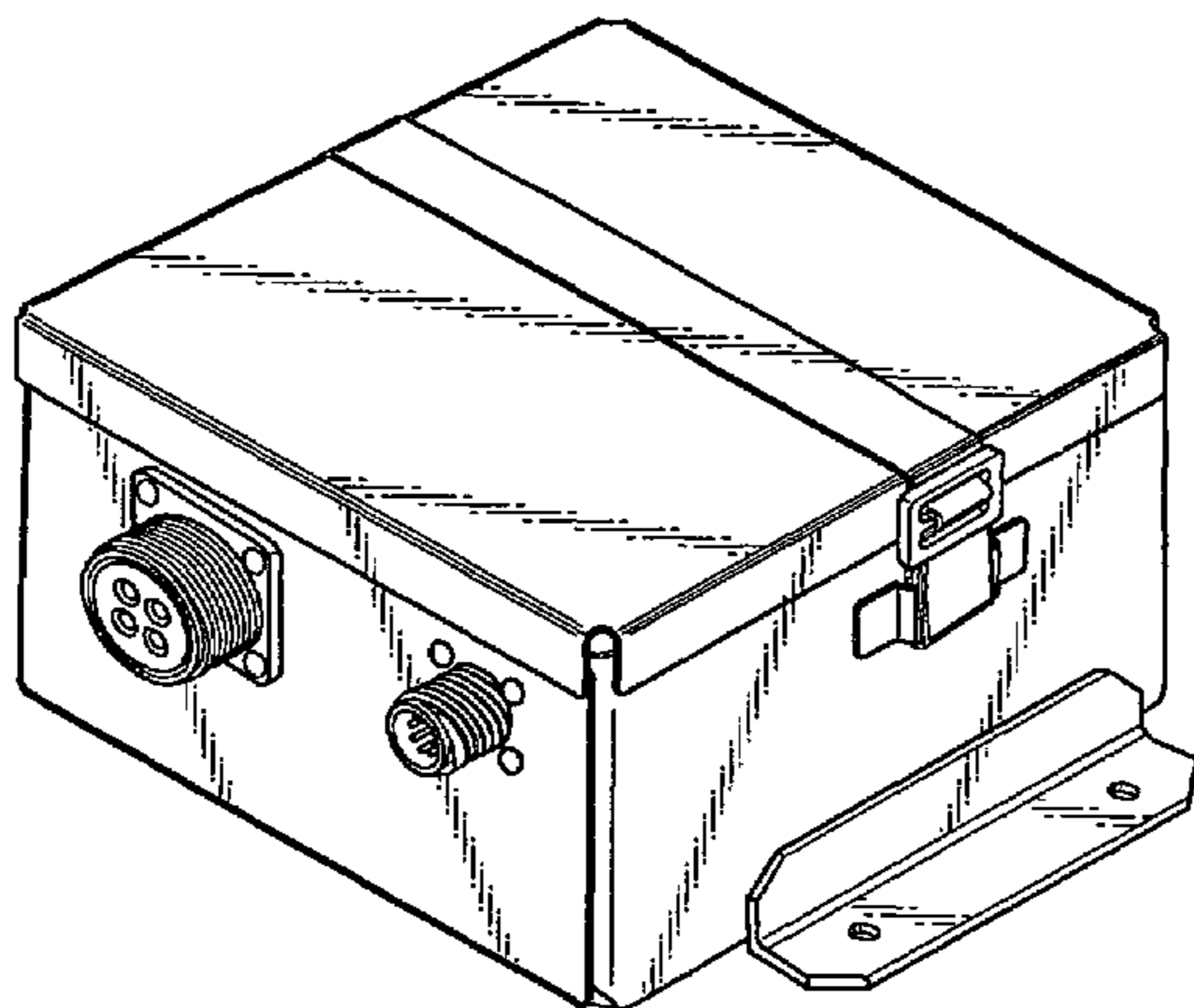
FIG. 29 is a back view thereof;

FIG. 30 is a right side view thereof;

FIG. 31 is a left side view thereof; and,

FIG. 32 is a sectional view taken along XXXII—XXXII of FIG. 27.

**1 Claim, 16 Drawing Sheets**



# US D602,428 S

Page 2

---

## U.S. PATENT DOCUMENTS

D268,024 S *	2/1983	Litt et al. ....	D13/110	D339,102 S *	9/1993	Boyd .....	D13/110
4,508,794 A *	4/1985	Wright .....	429/100	5,498,488 A *	3/1996	Stocchiero .....	429/72
4,693,949 A *	9/1987	Kellett et al. ....	429/128	5,512,065 A *	4/1996	Kump et al. ....	29/623.1
D292,576 S *	11/1987	Kump et al. ....	D13/106	D400,849 S *	11/1998	Ikeda et al. ....	D13/106
4,729,933 A *	3/1988	Oswald .....	429/59	D559,778 S *	1/2008	Tsuzuki et al. ....	D13/110

\* cited by examiner

Fig. 1

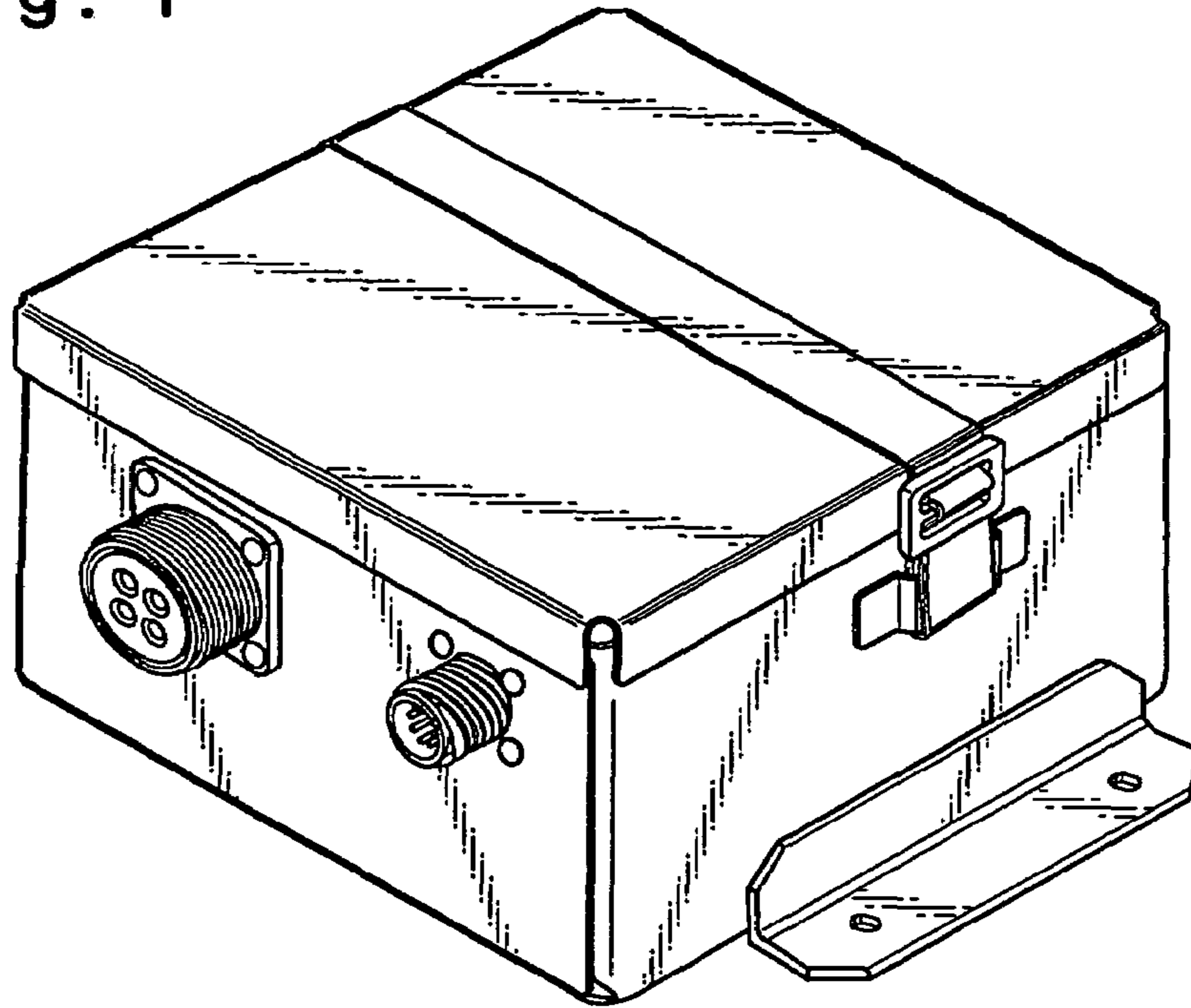


Fig. 2

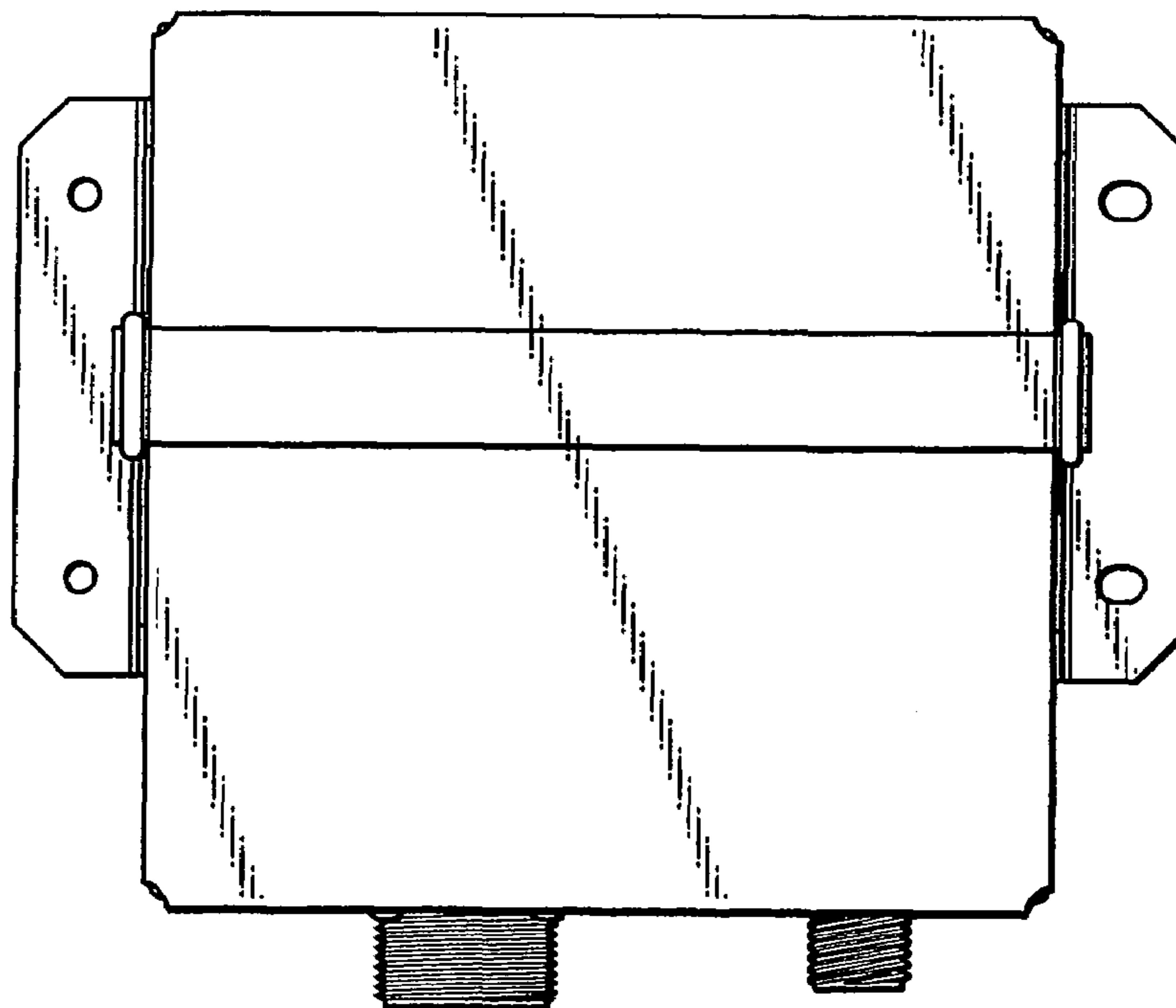


Fig. 3

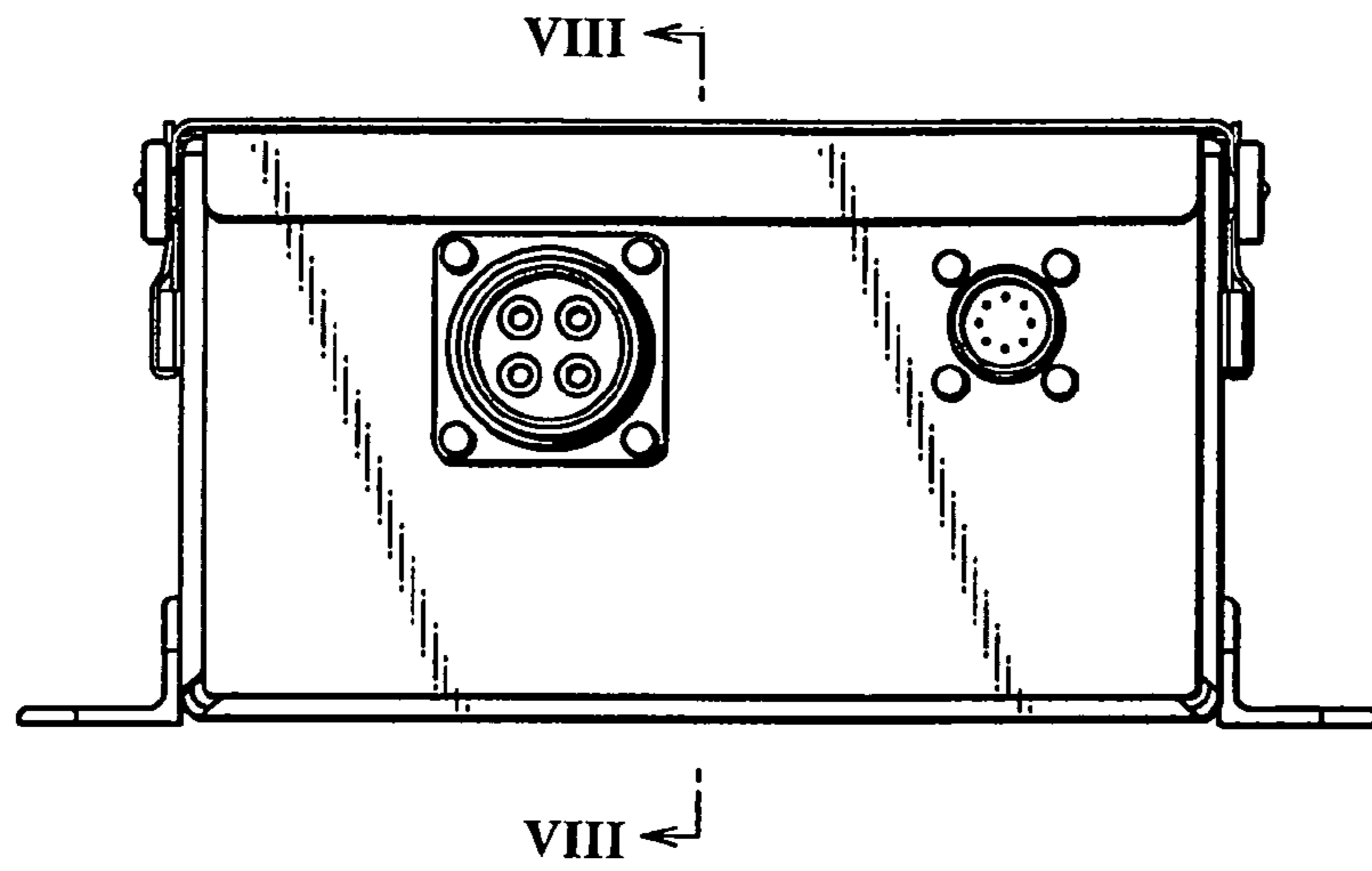


Fig. 4

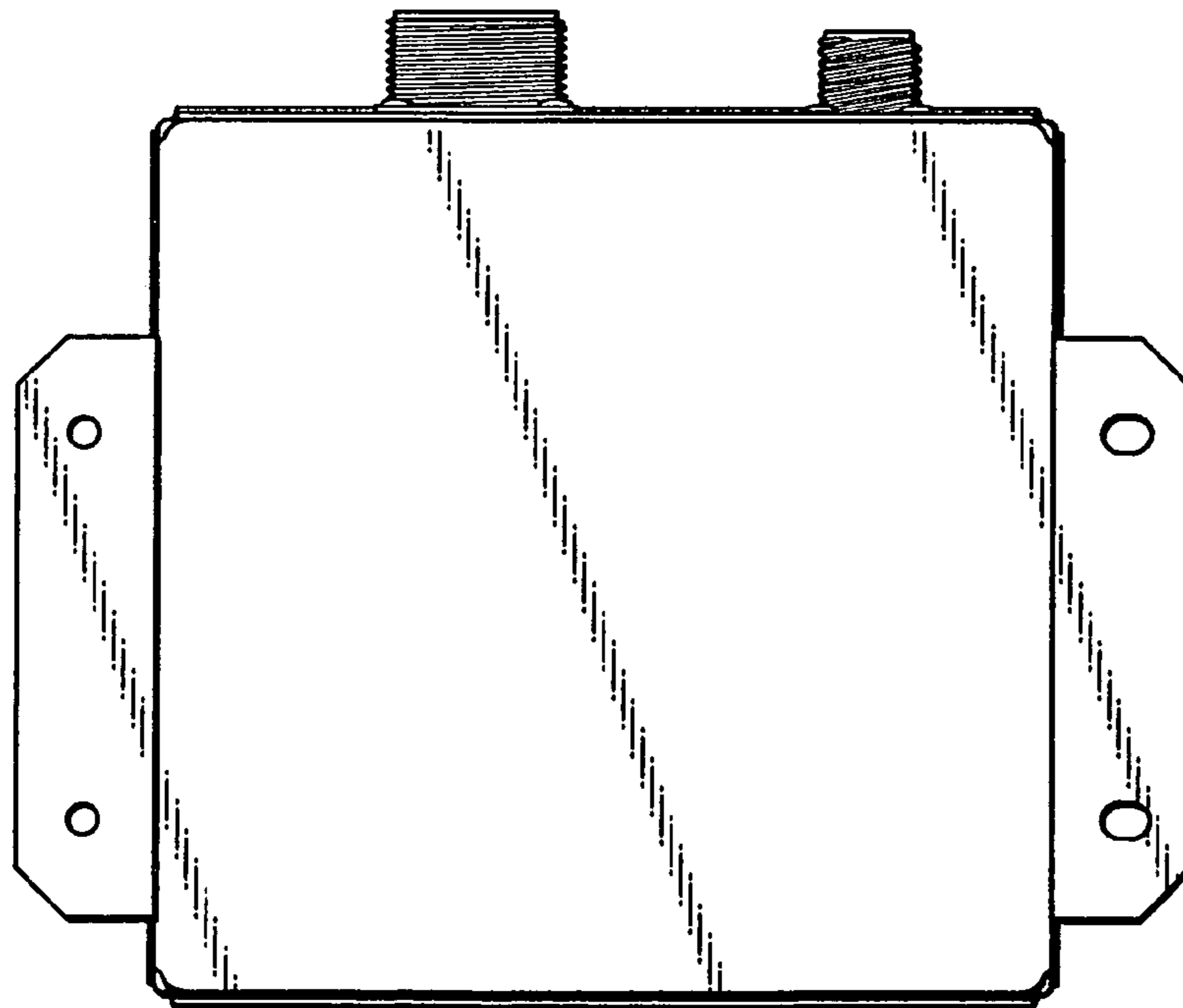


Fig. 5

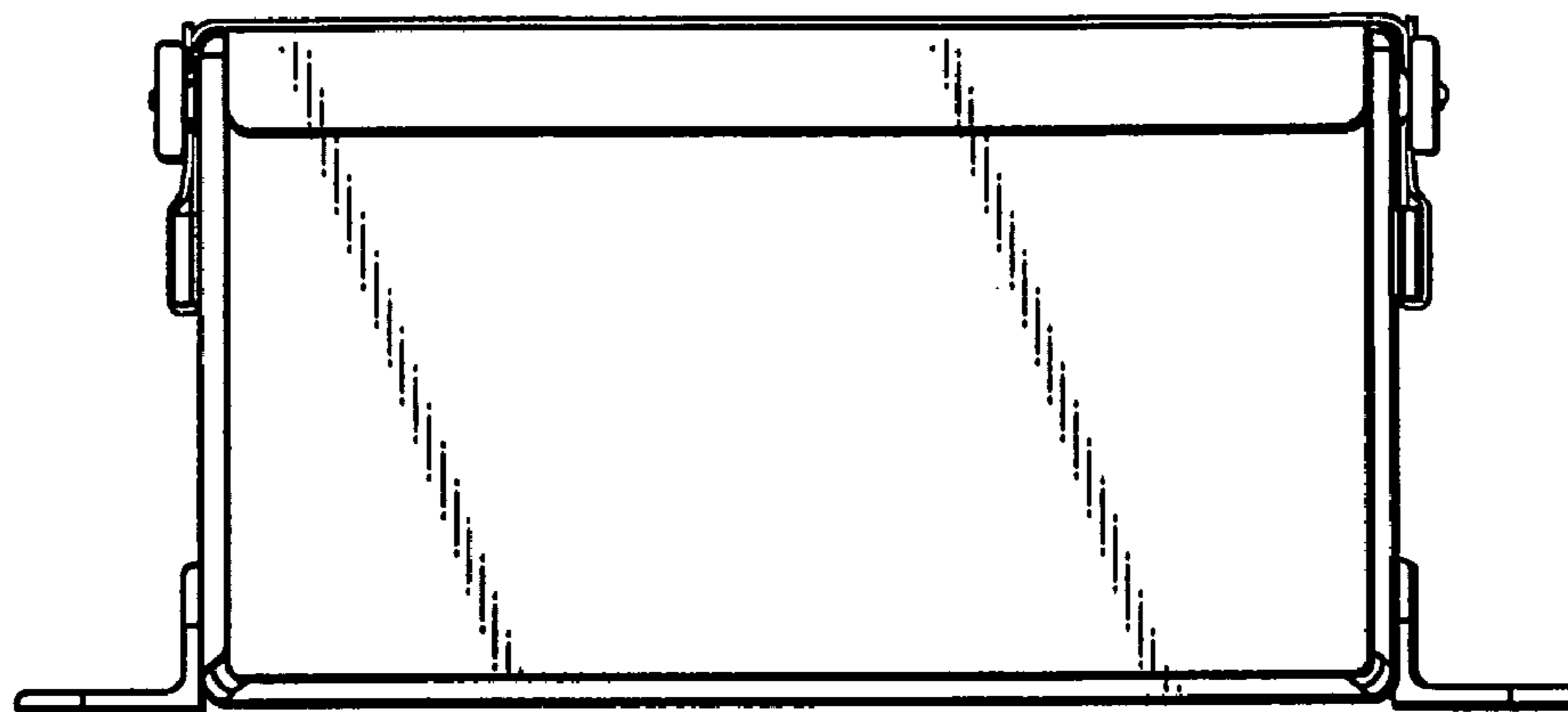


Fig. 6

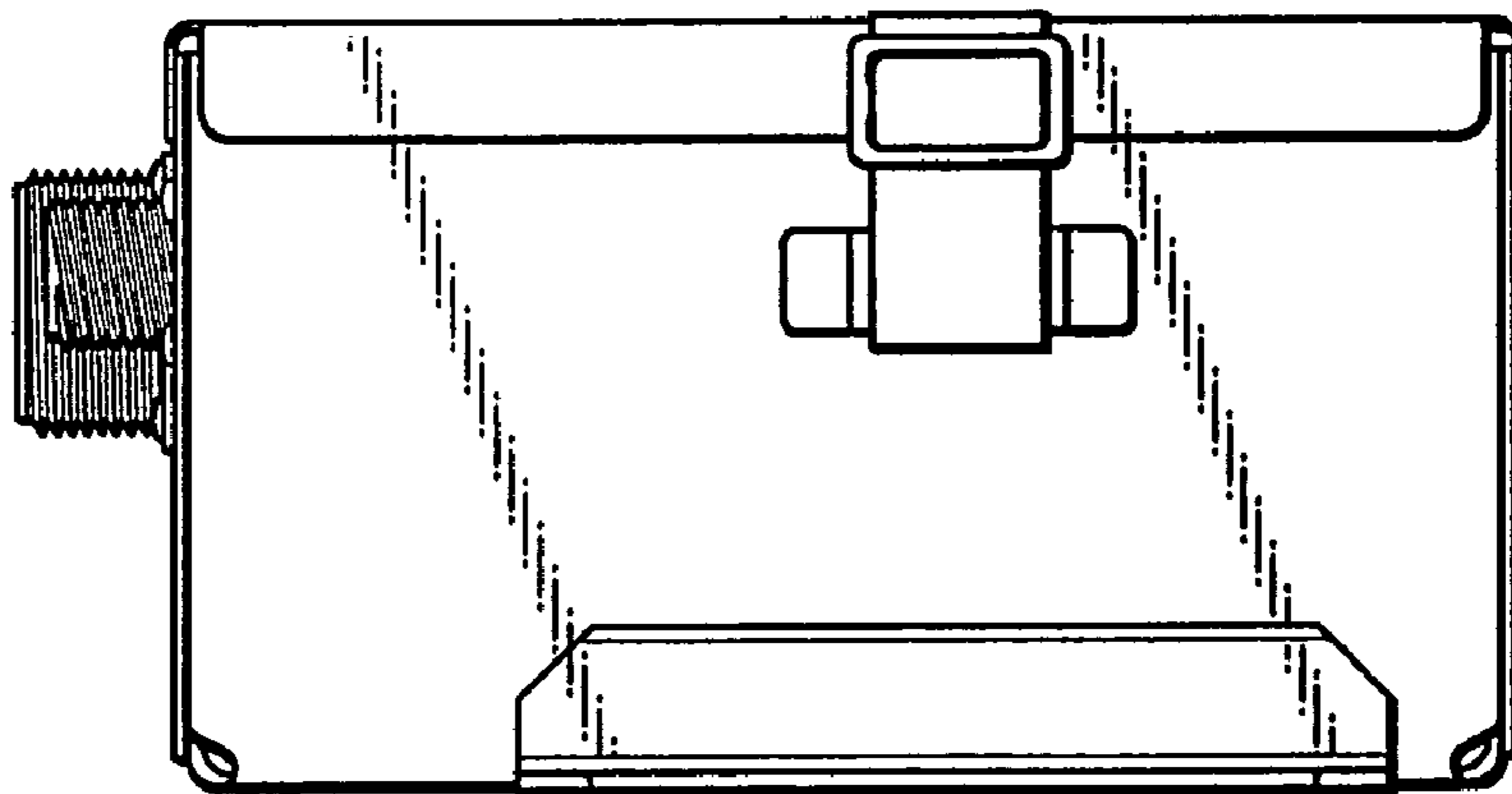


Fig. 7

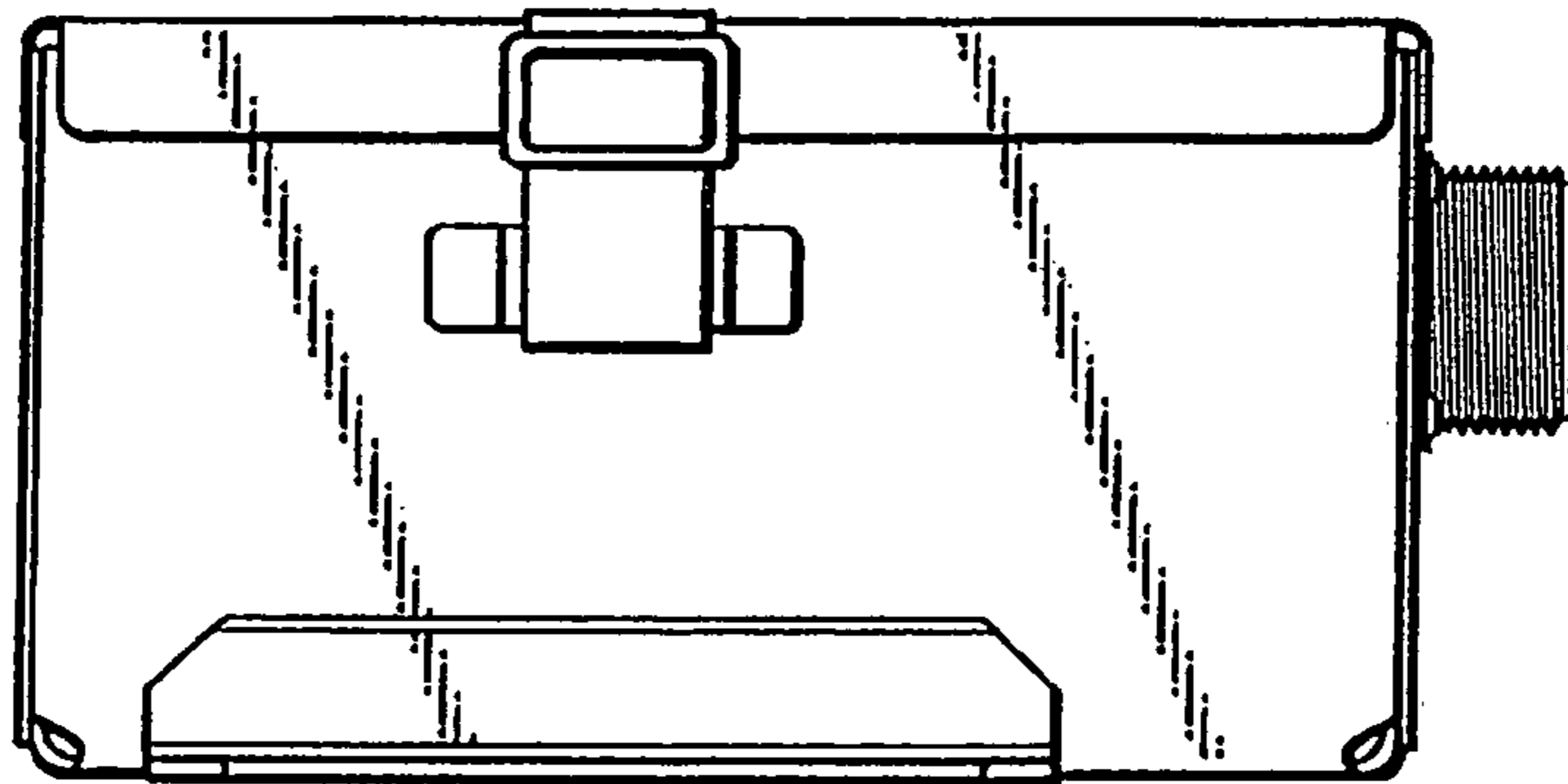


Fig. 8



Fig. 9

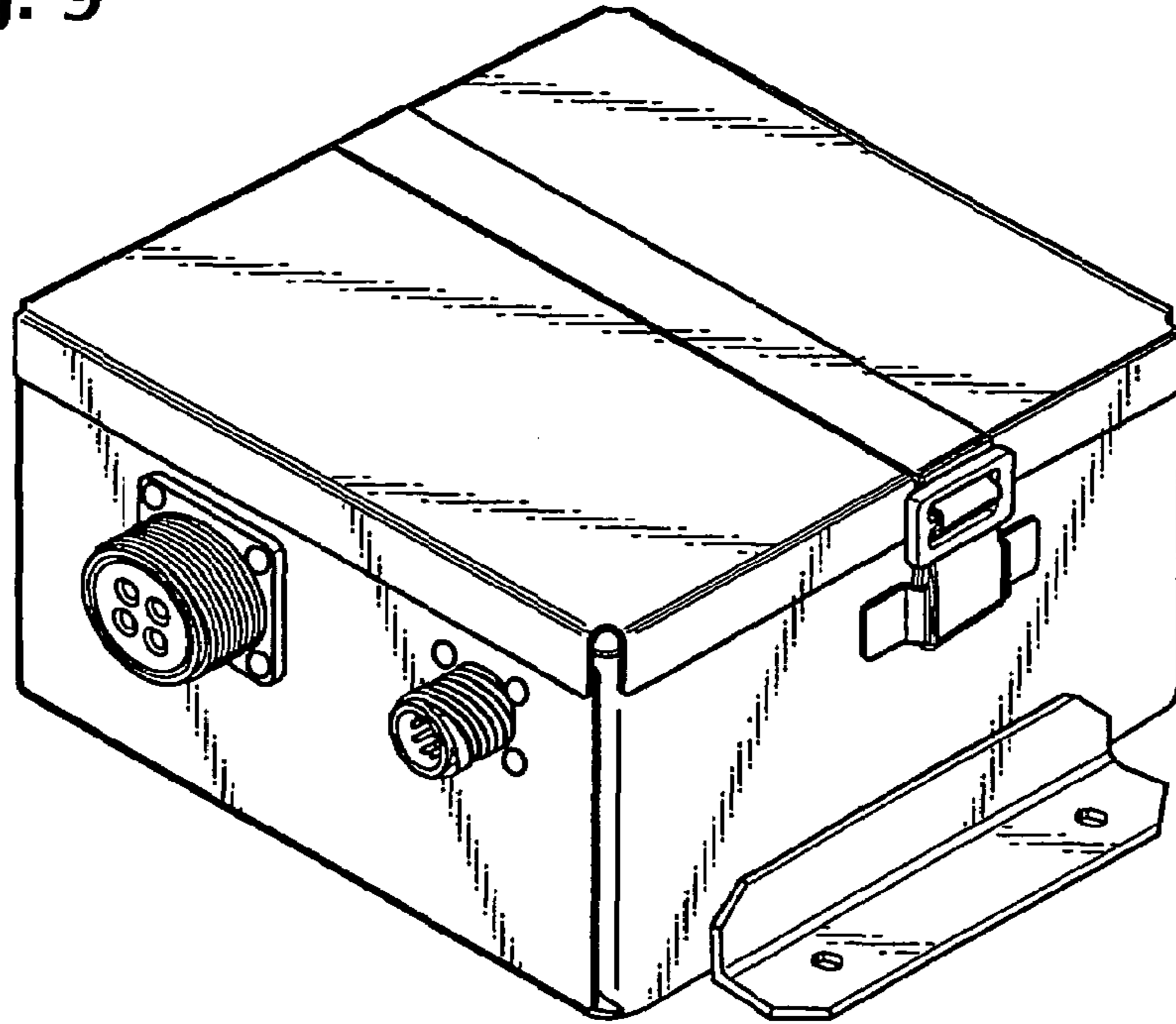


Fig. 10

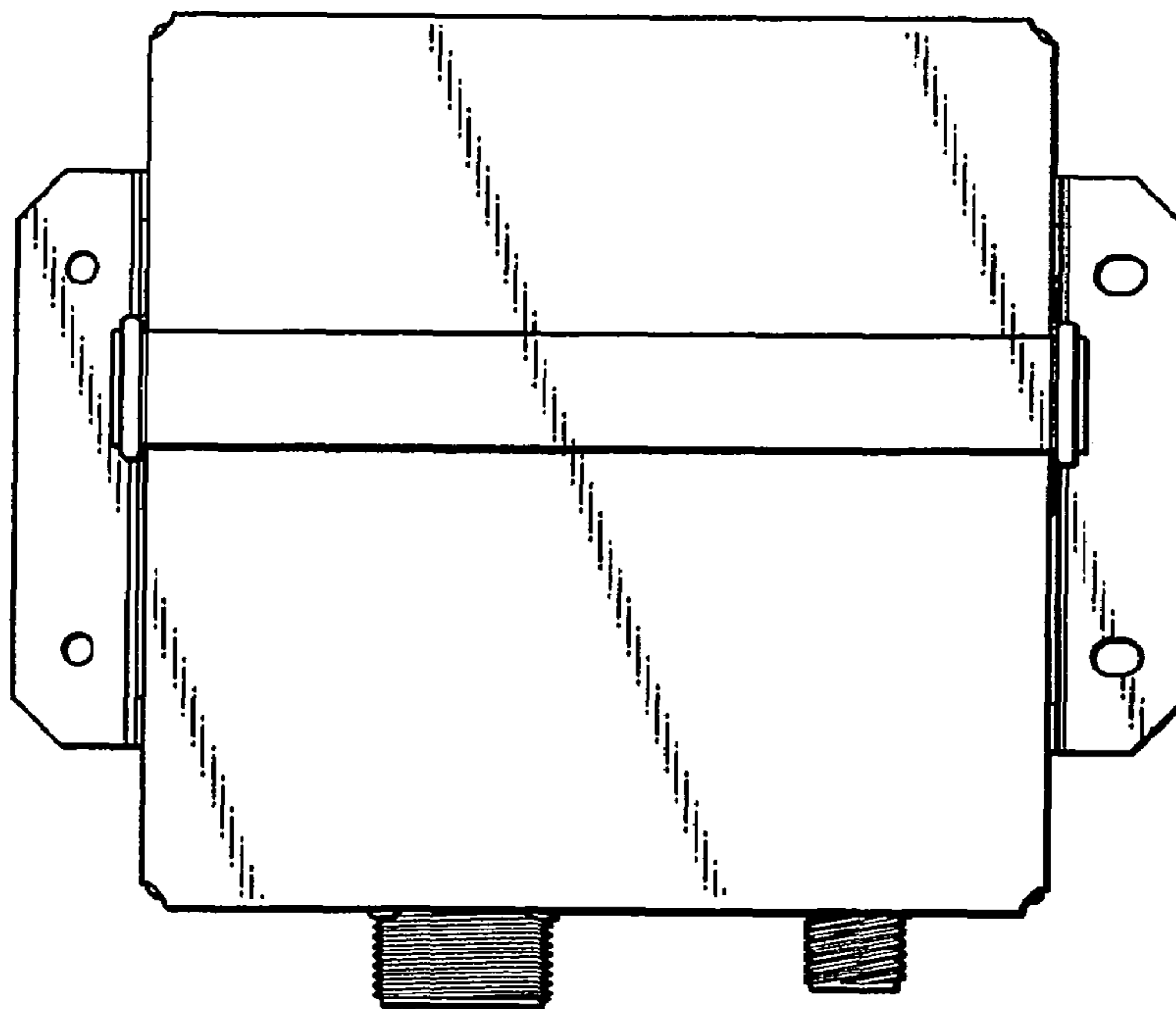


Fig. 11

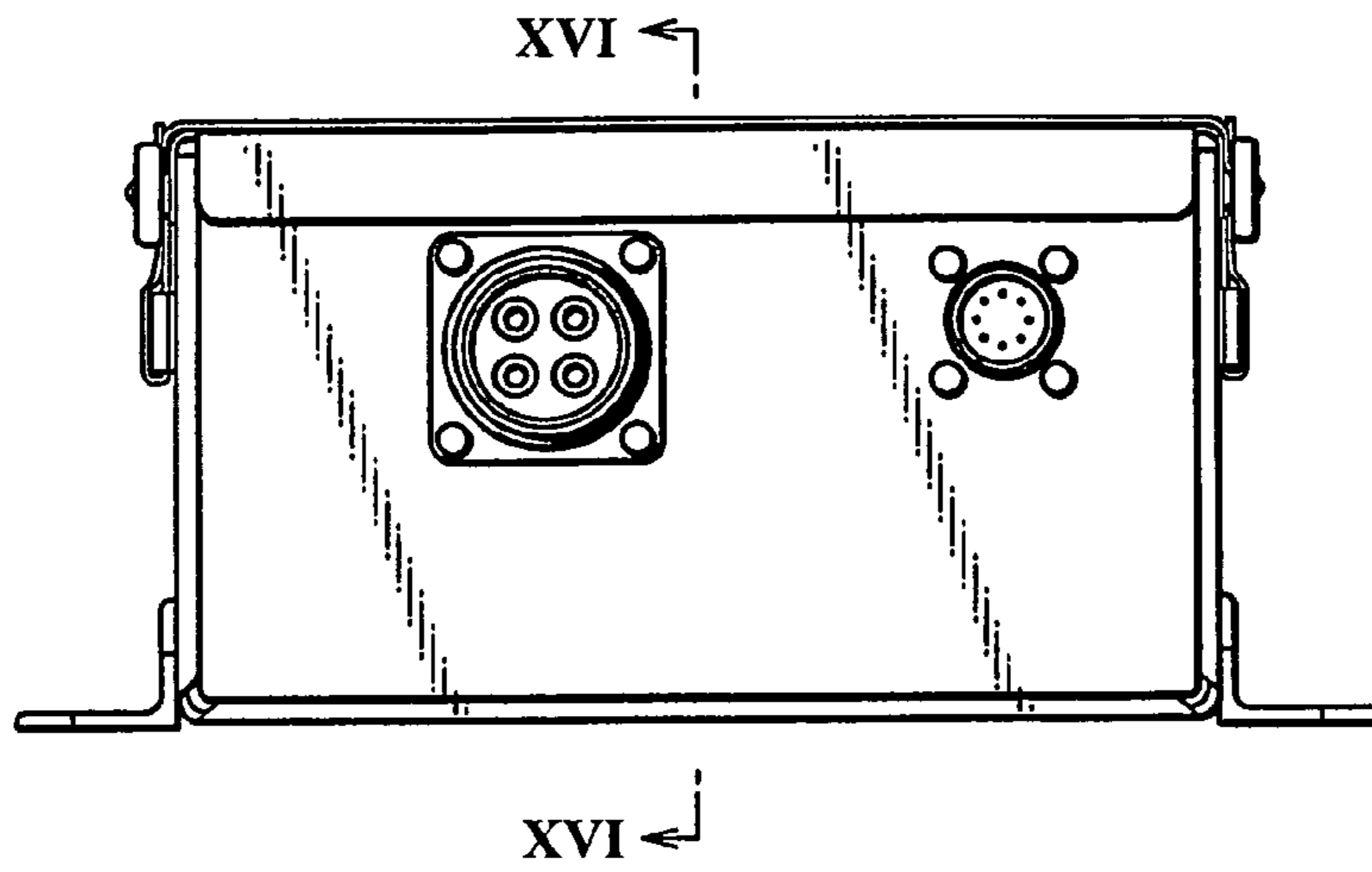
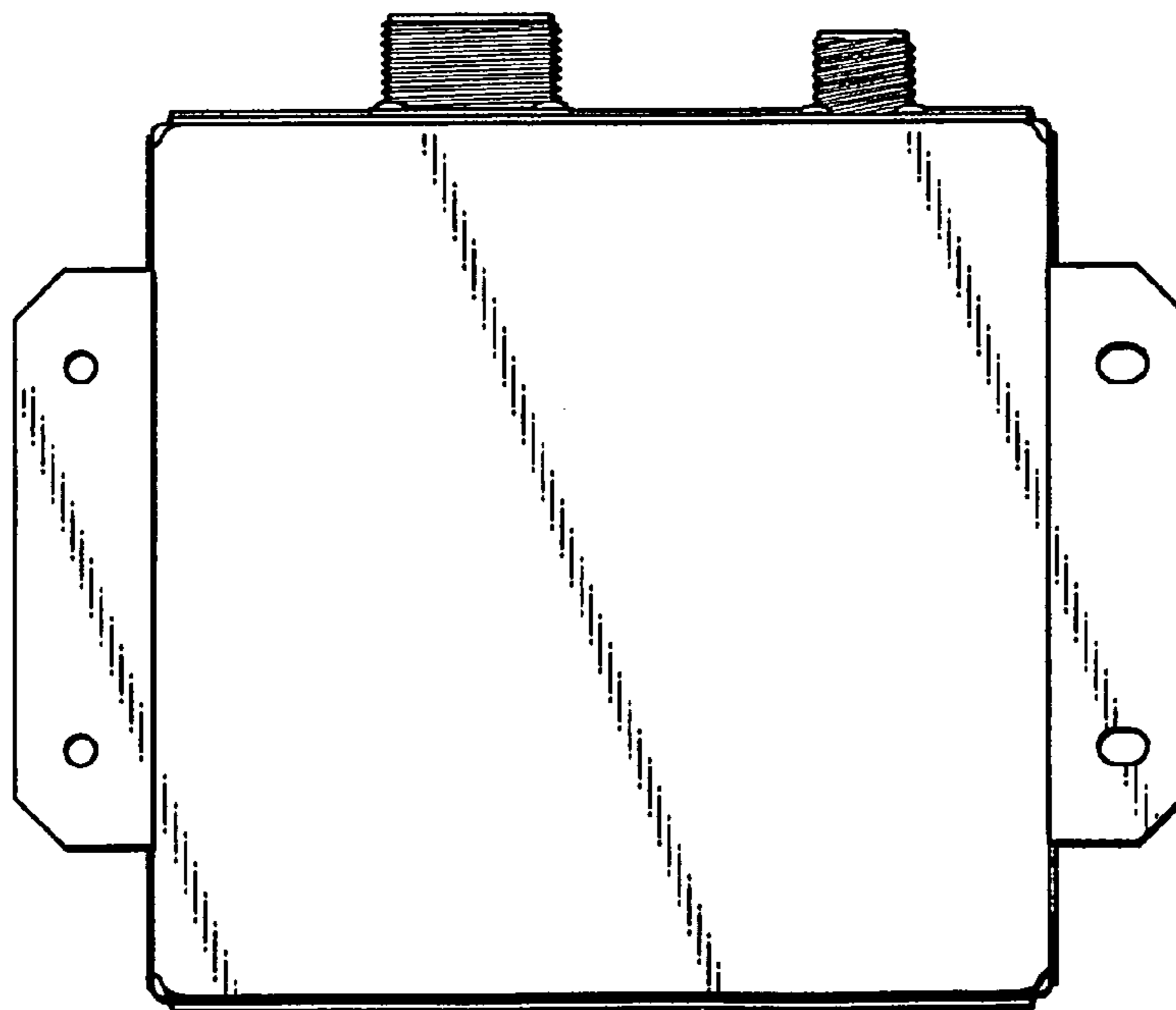
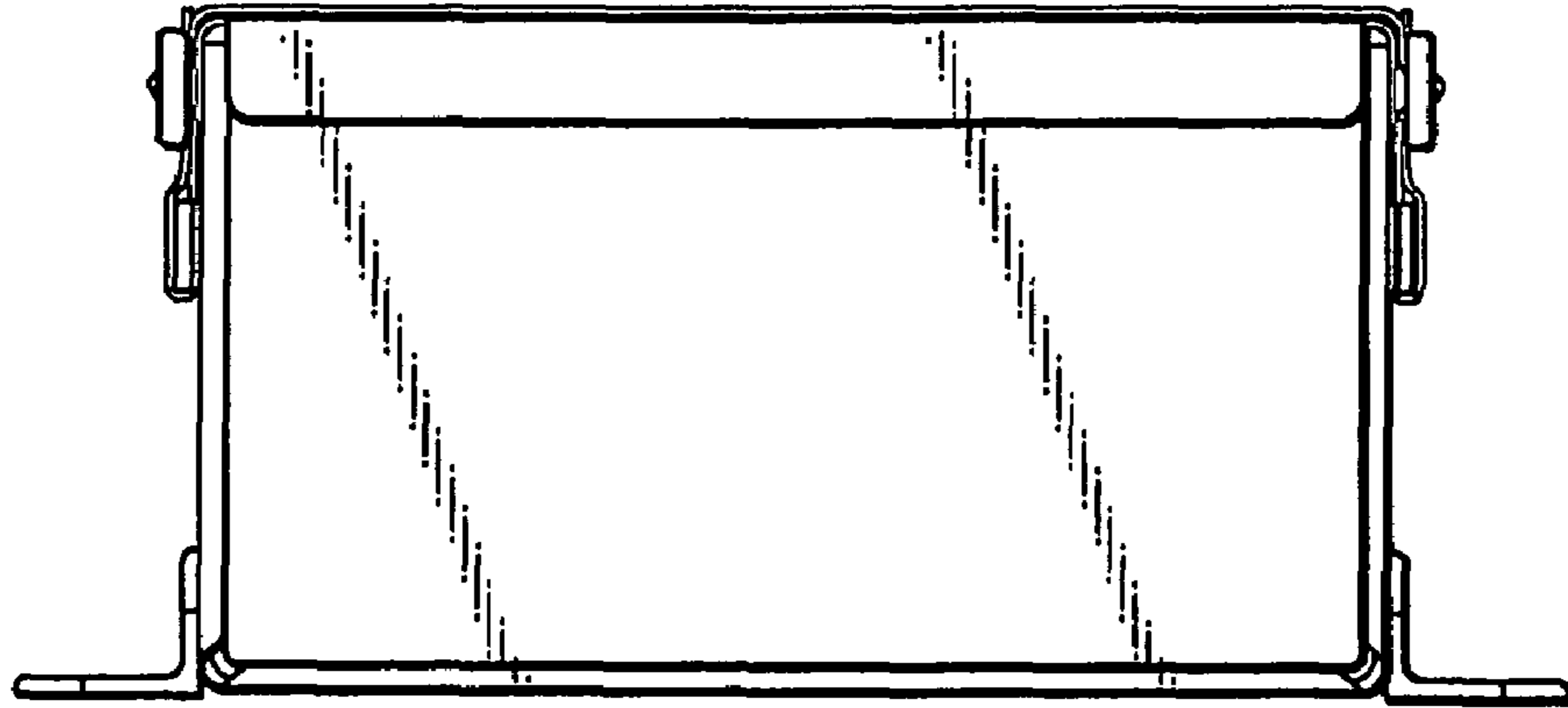


Fig. 12





**Fig. 13**



**Fig. 14**

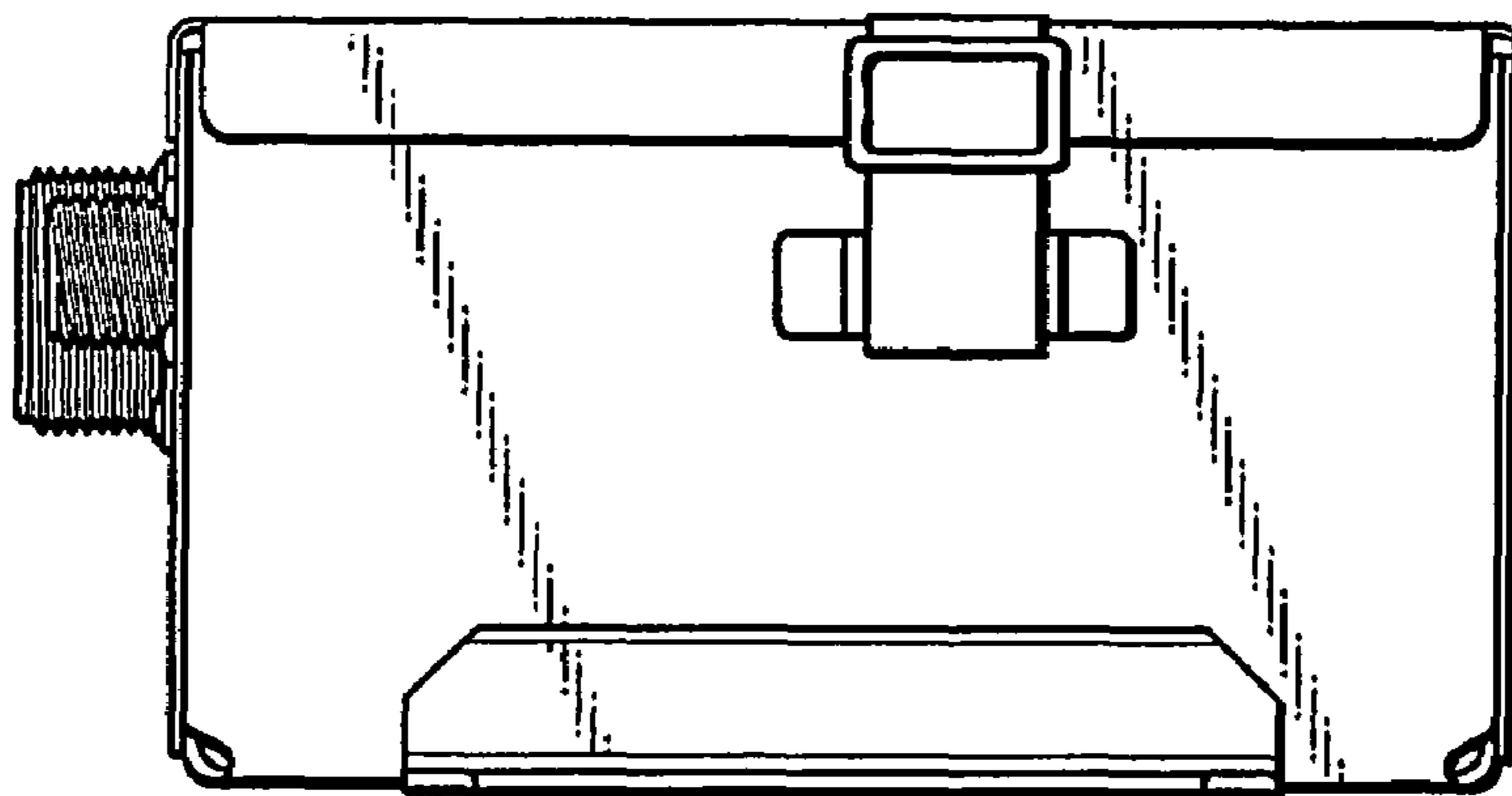


Fig. 15

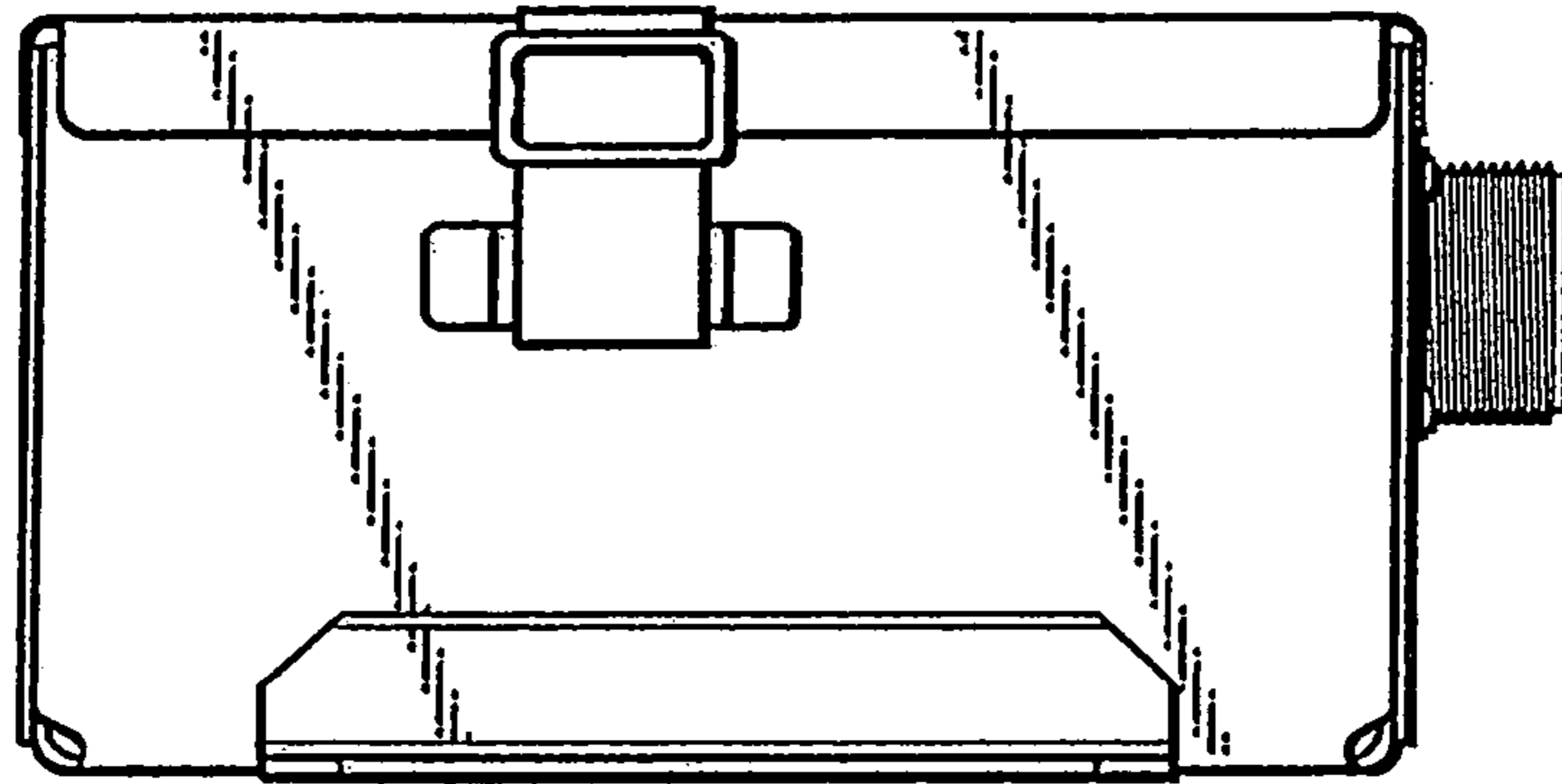


Fig. 16

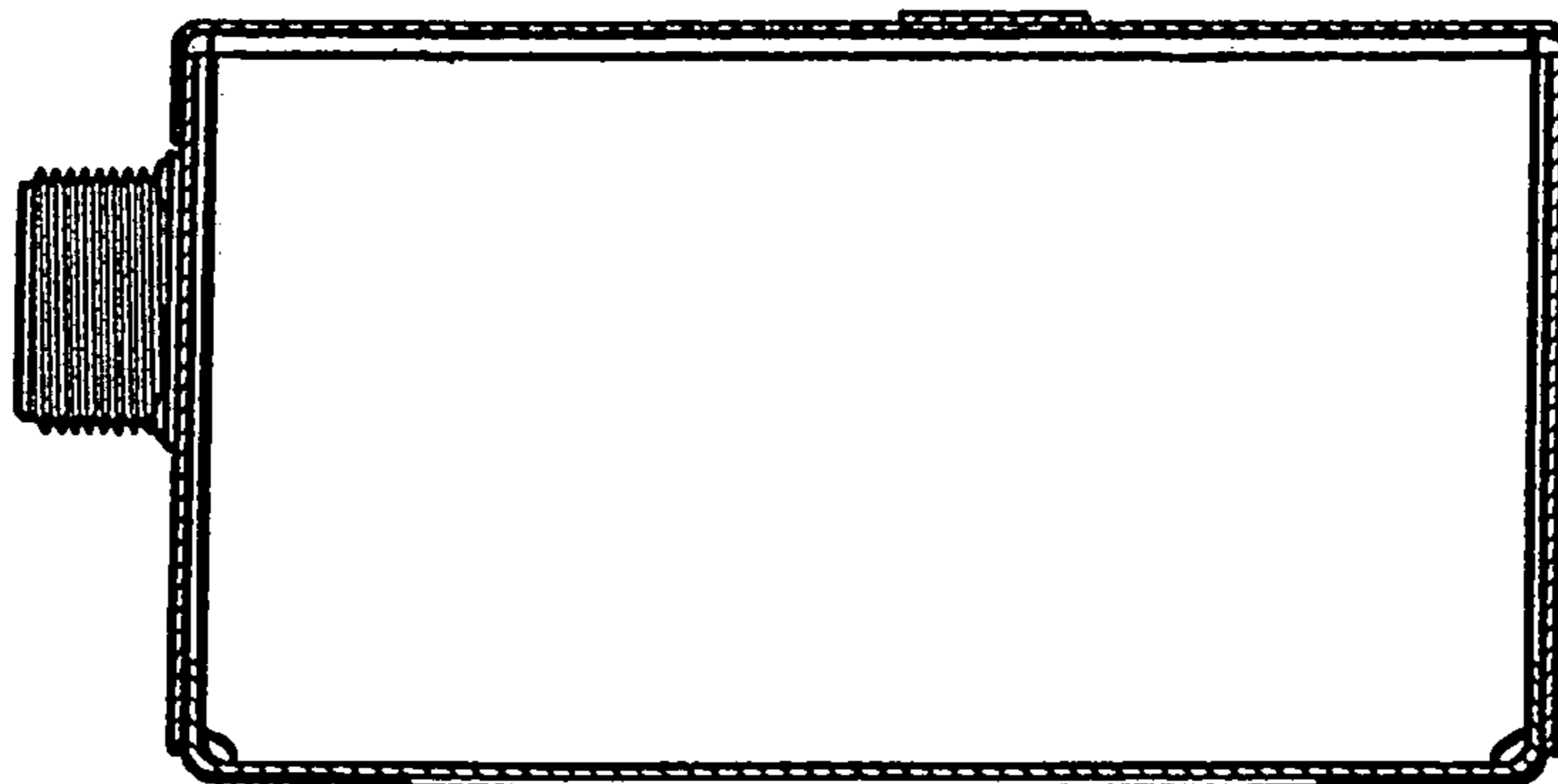


Fig. 17

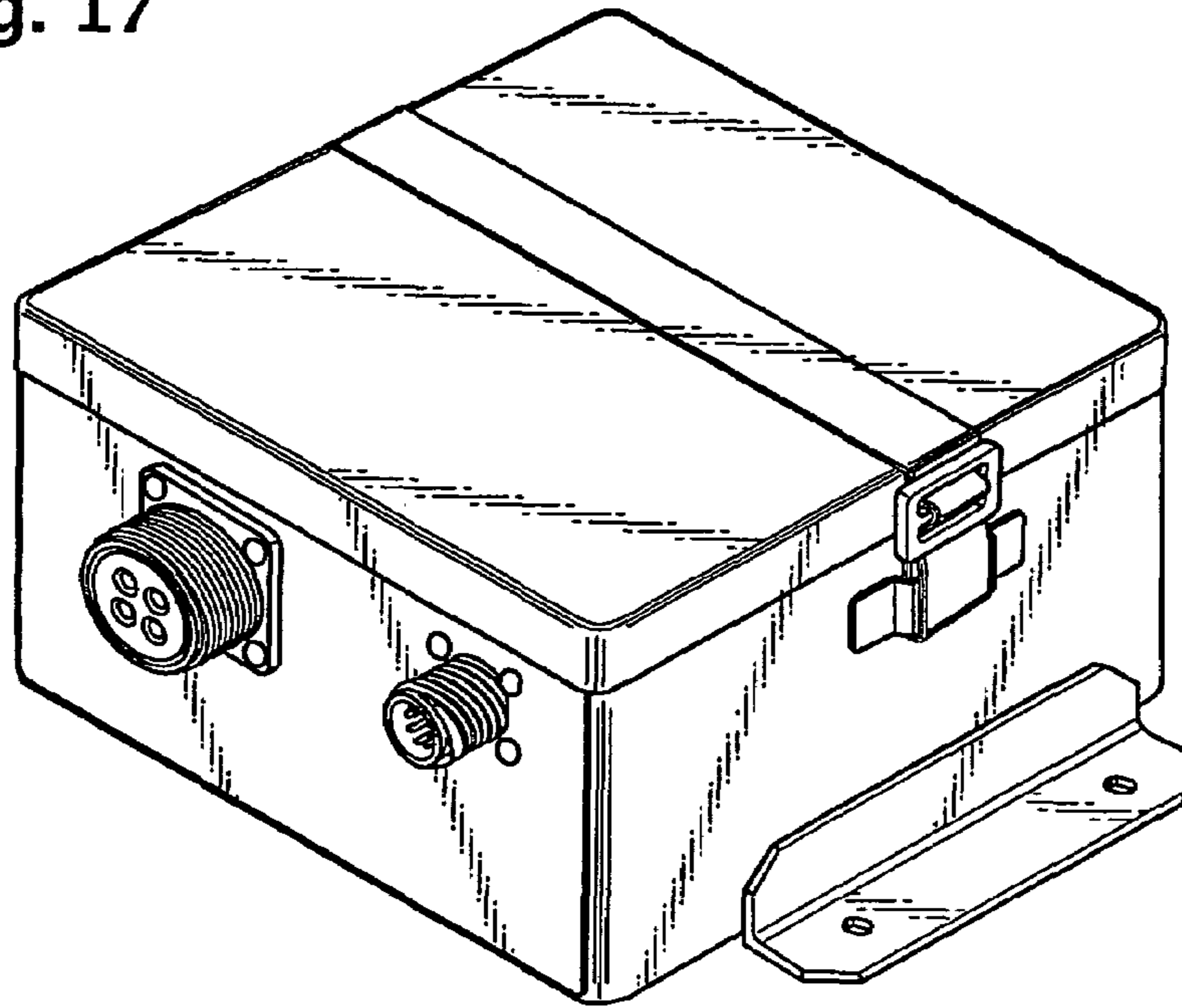


Fig. 18

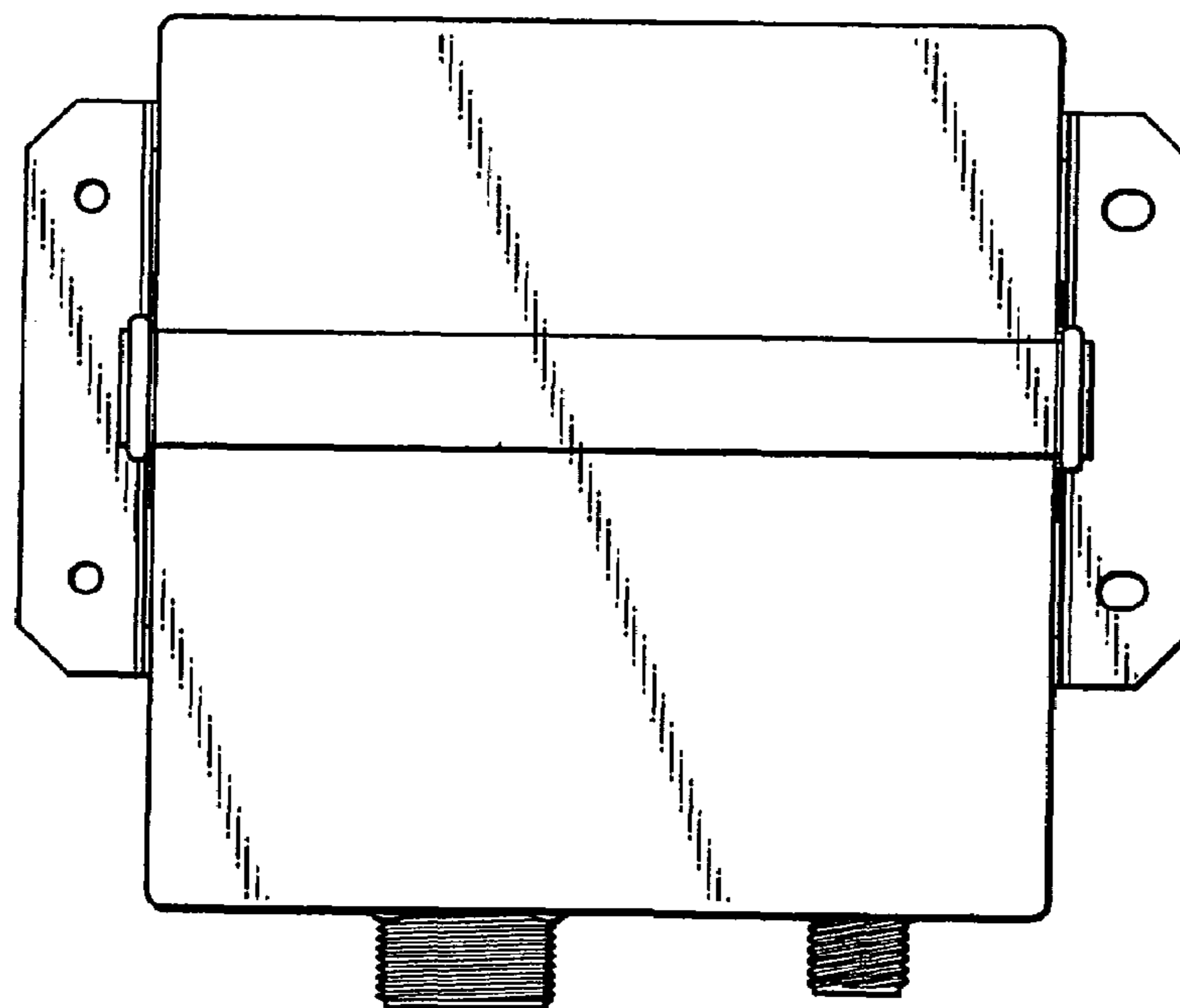


Fig. 19

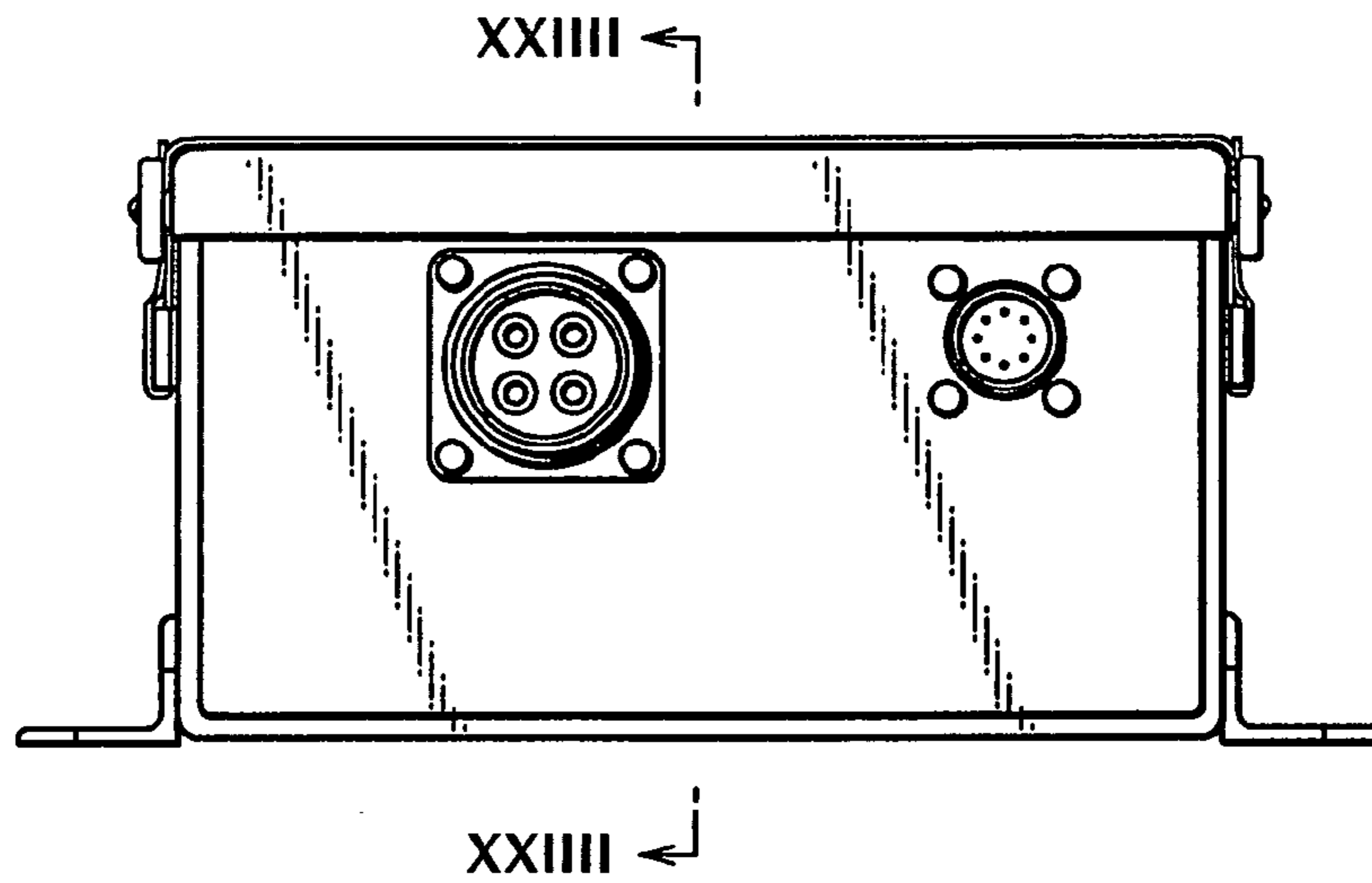


Fig. 20

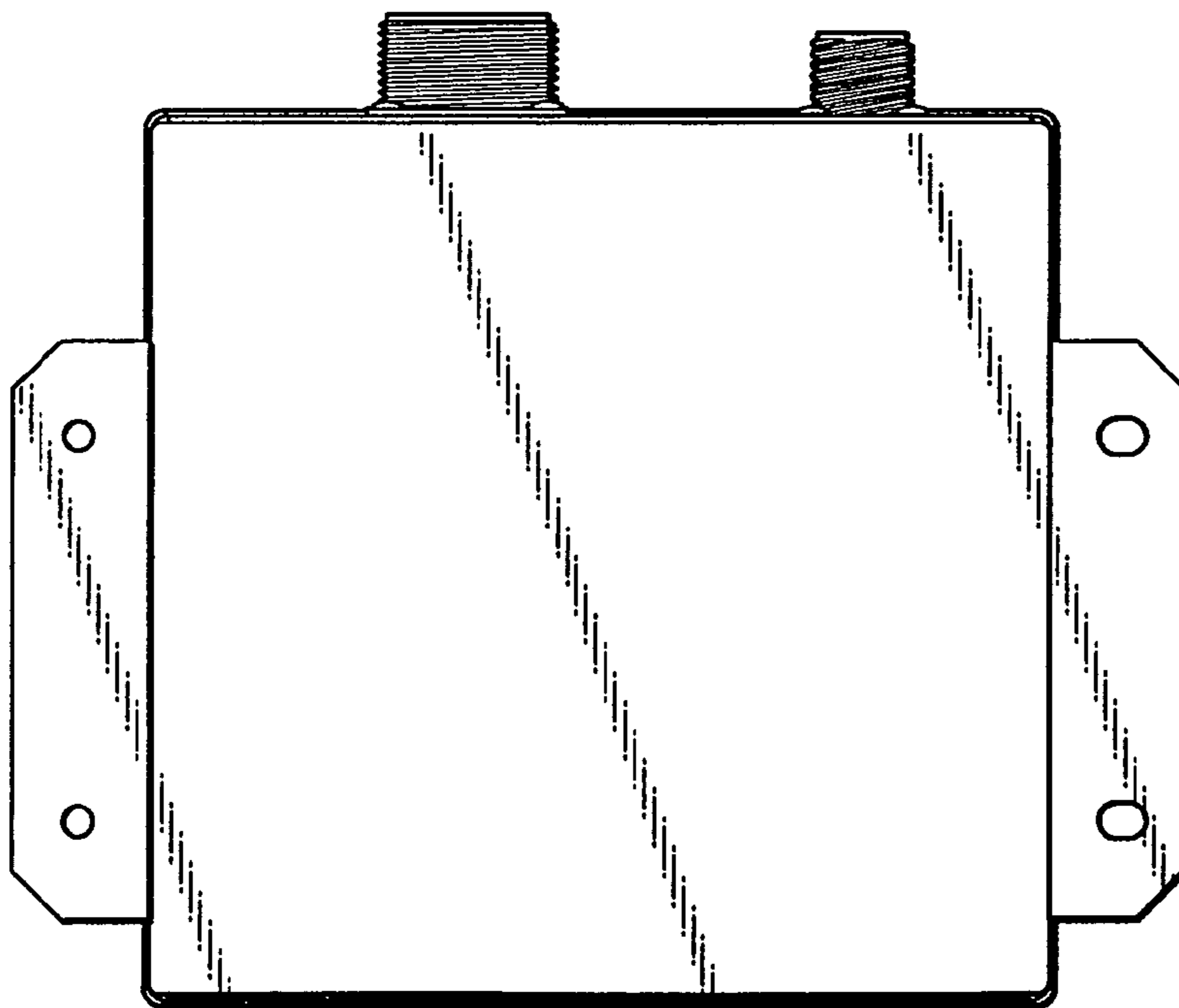


Fig. 21

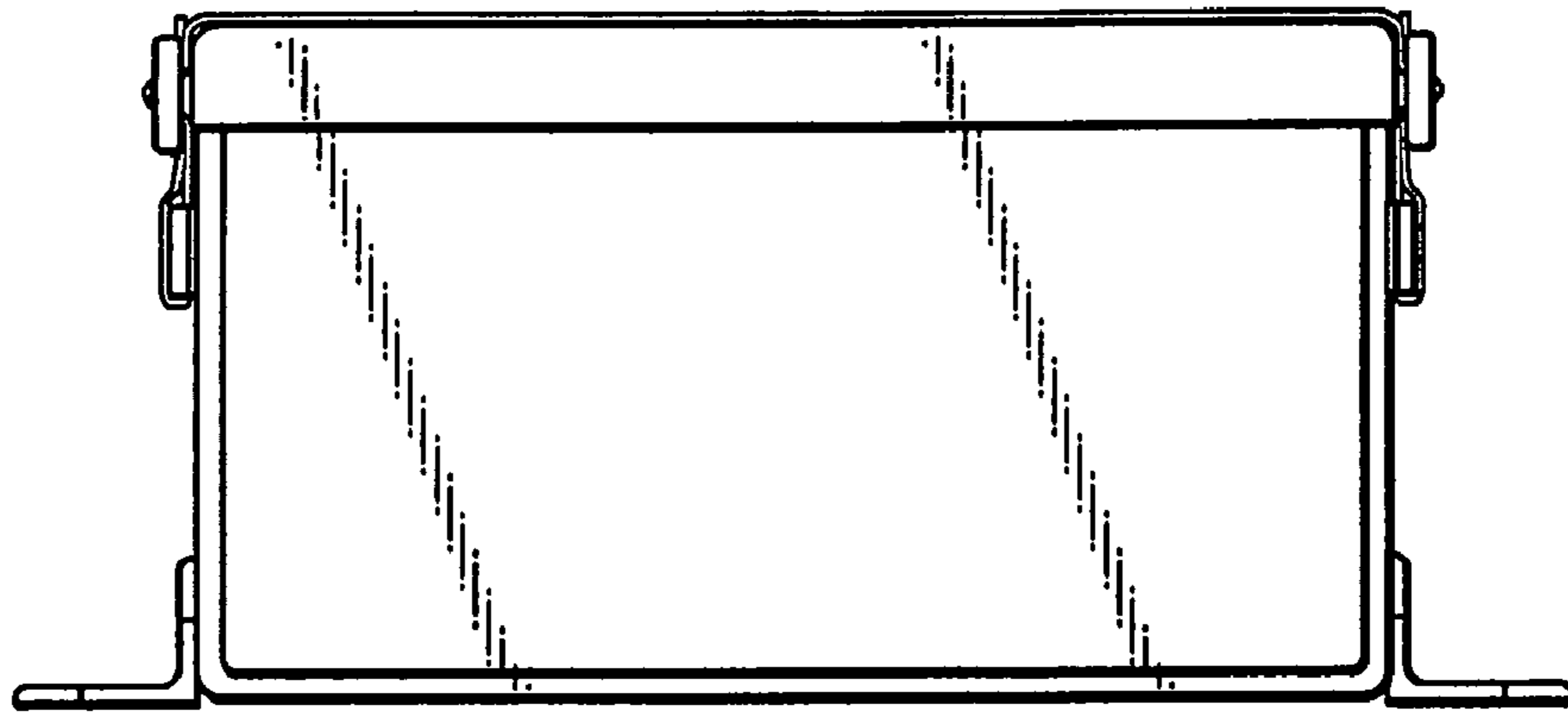


Fig. 22

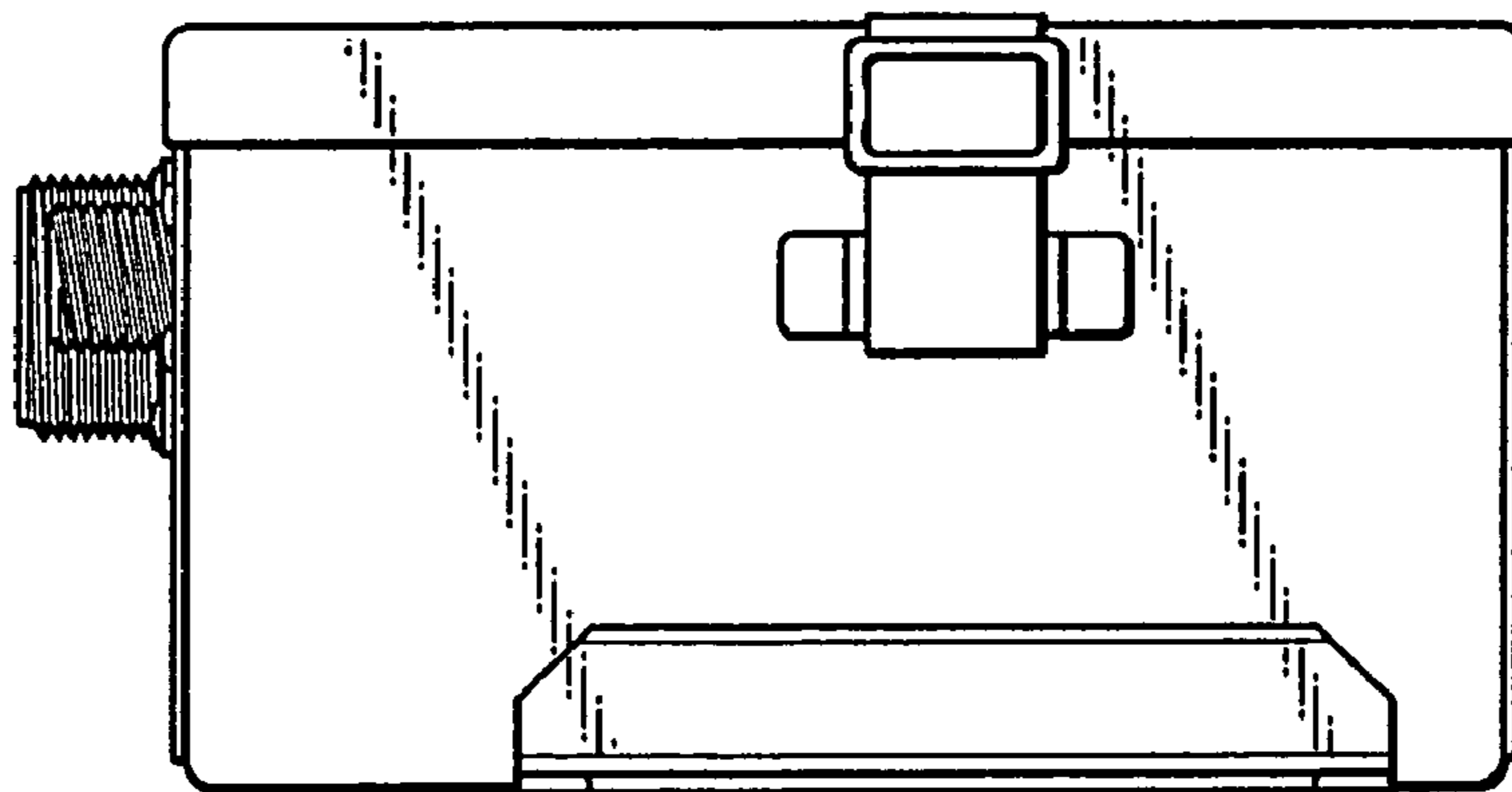


Fig. 23

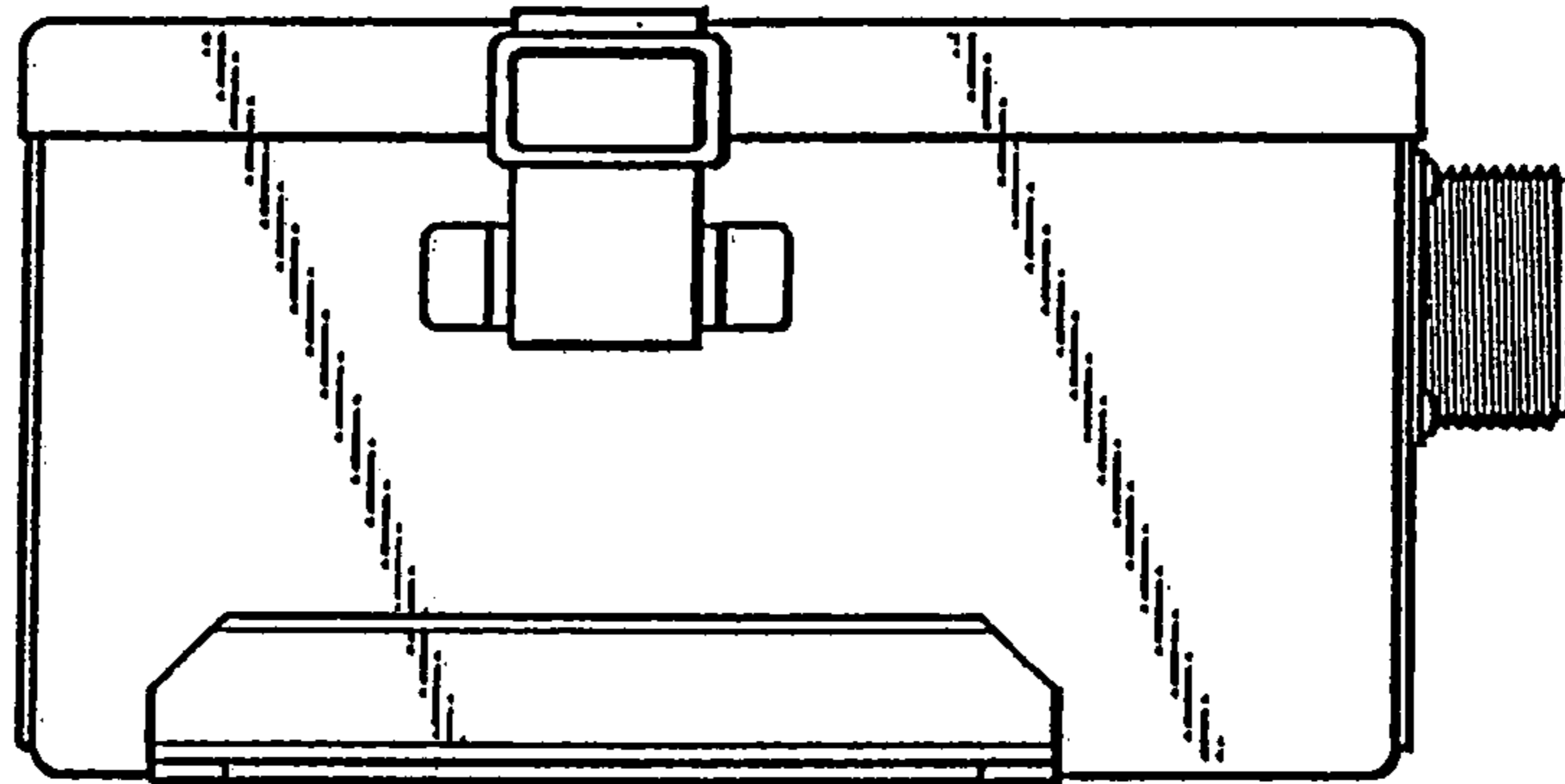


Fig. 24

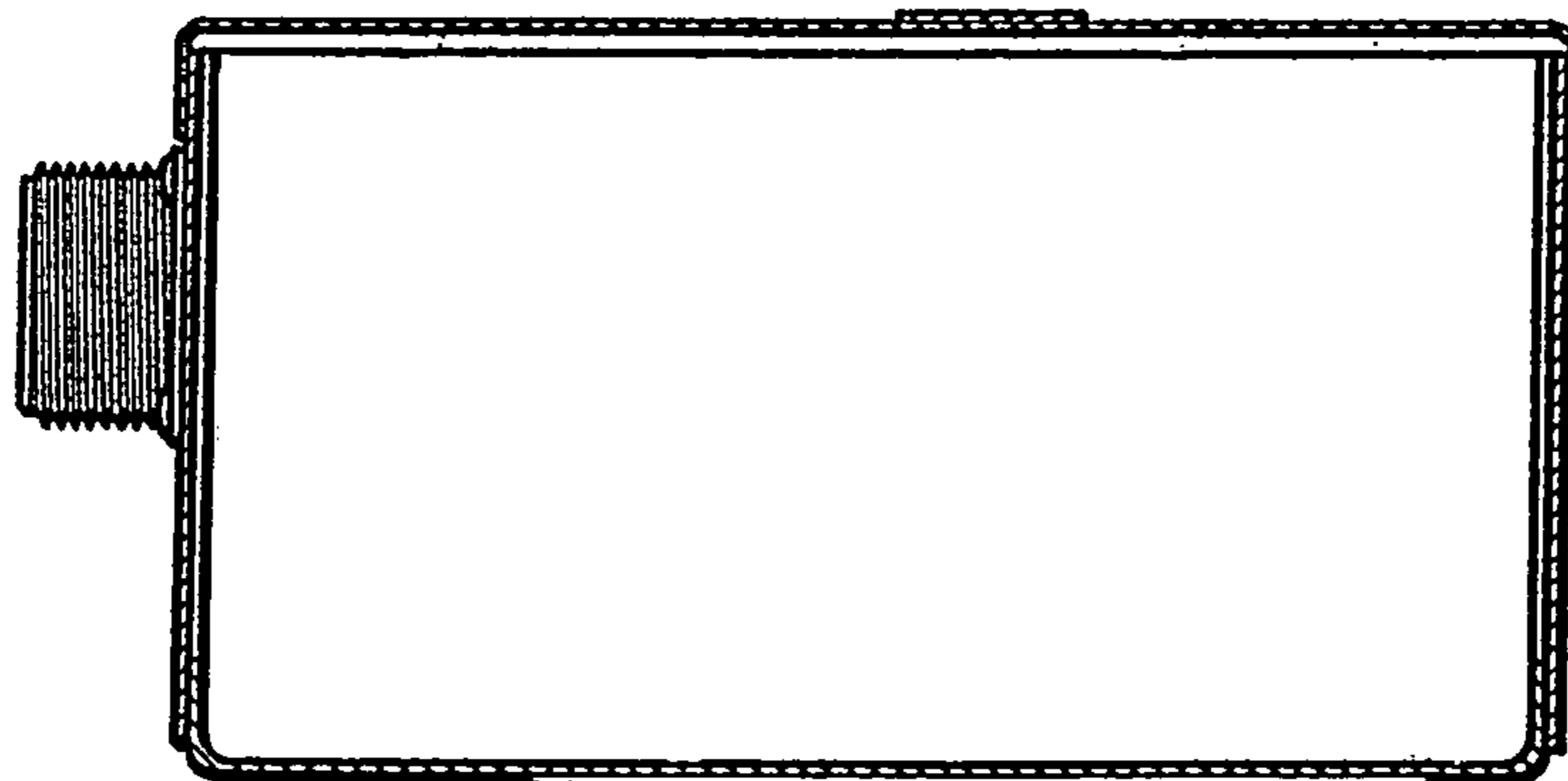


Fig. 25

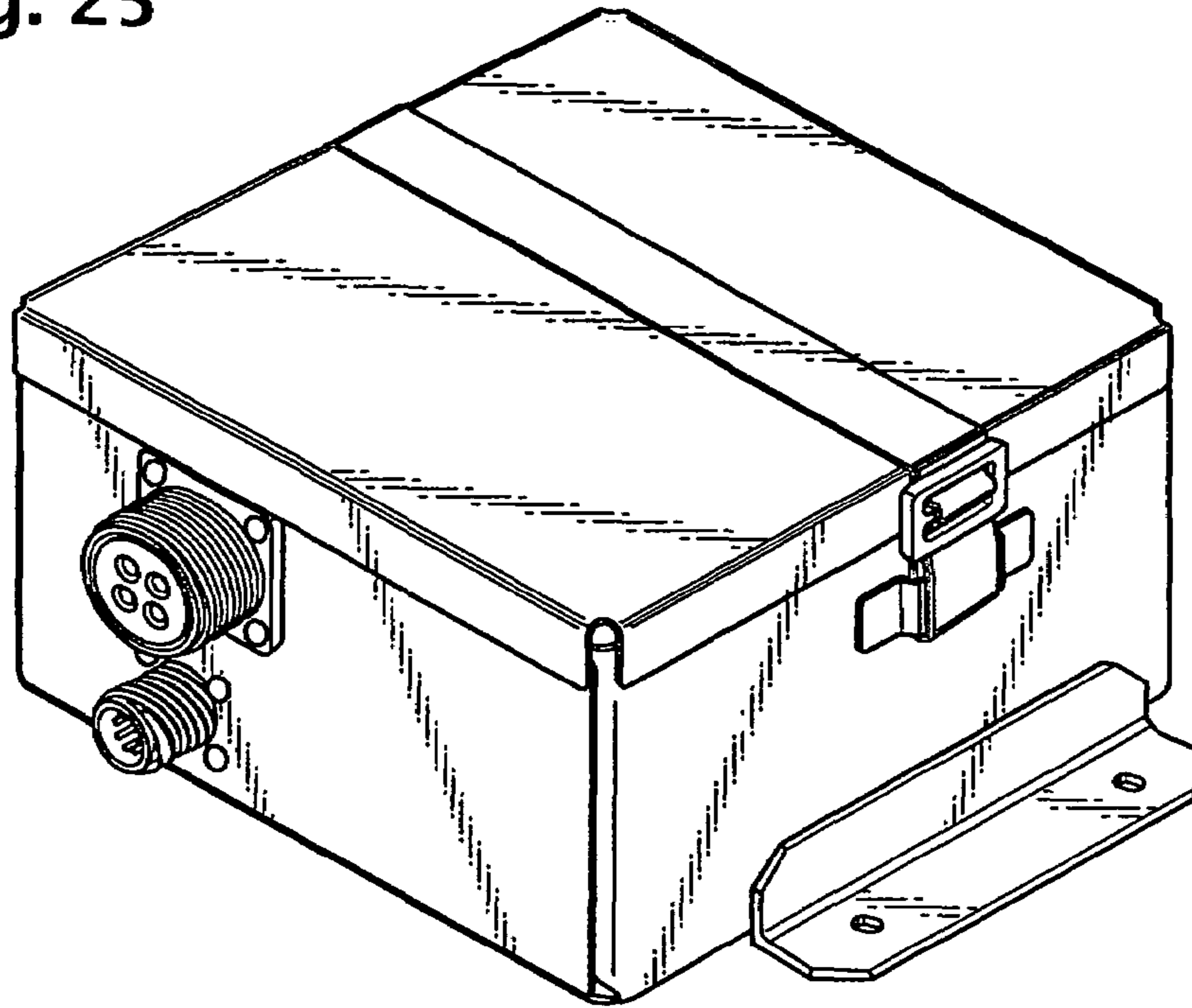


Fig. 26

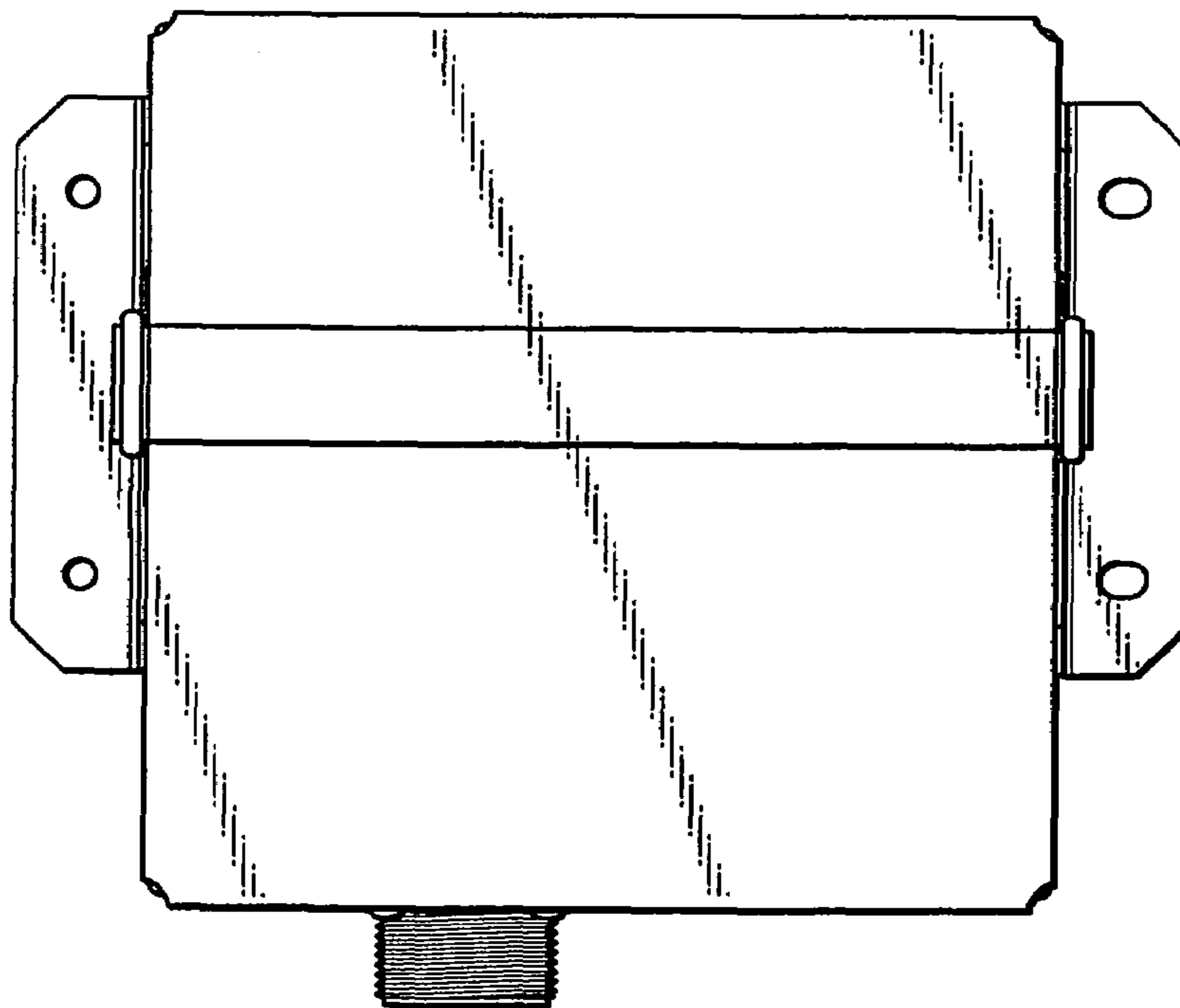


Fig. 27

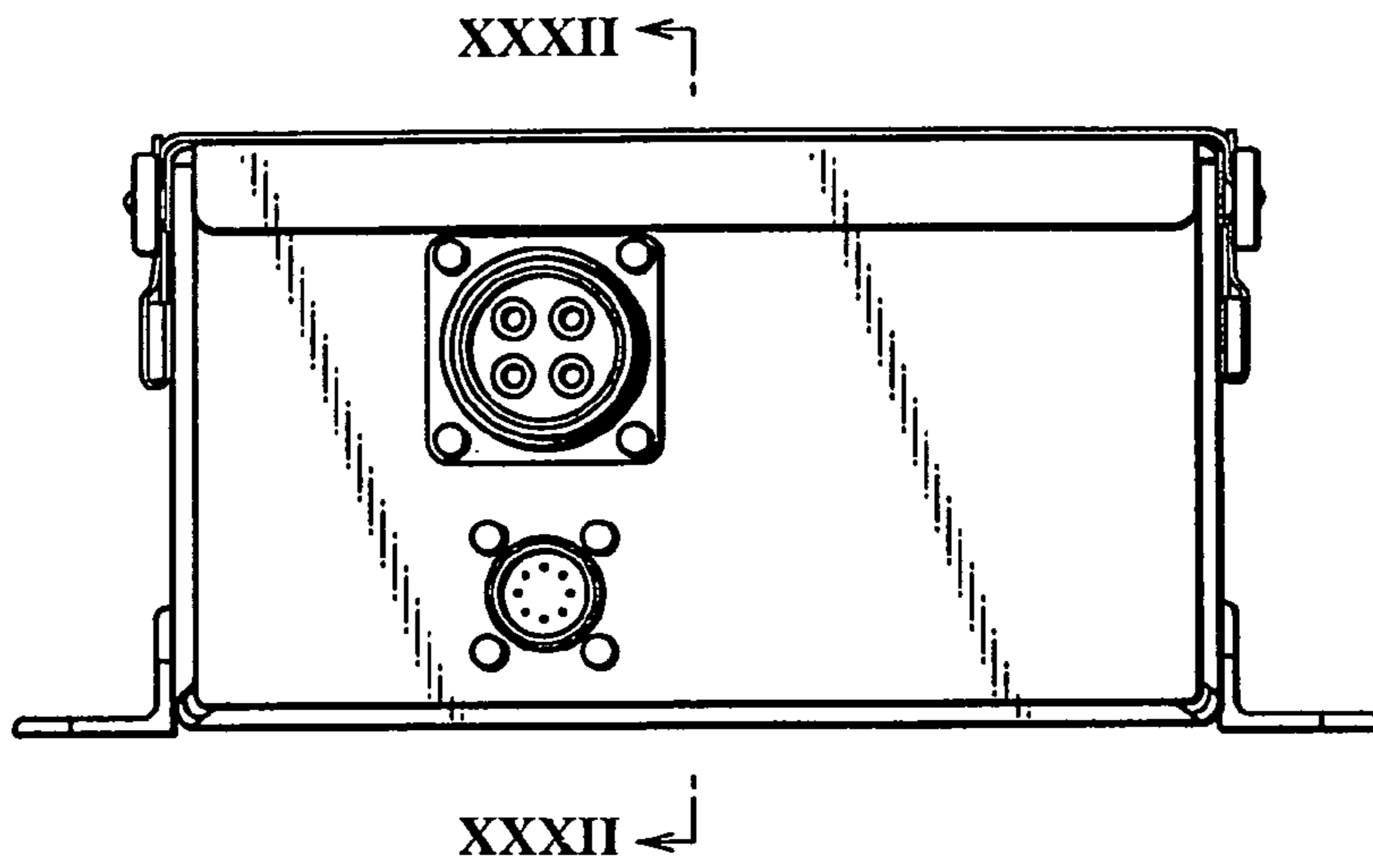
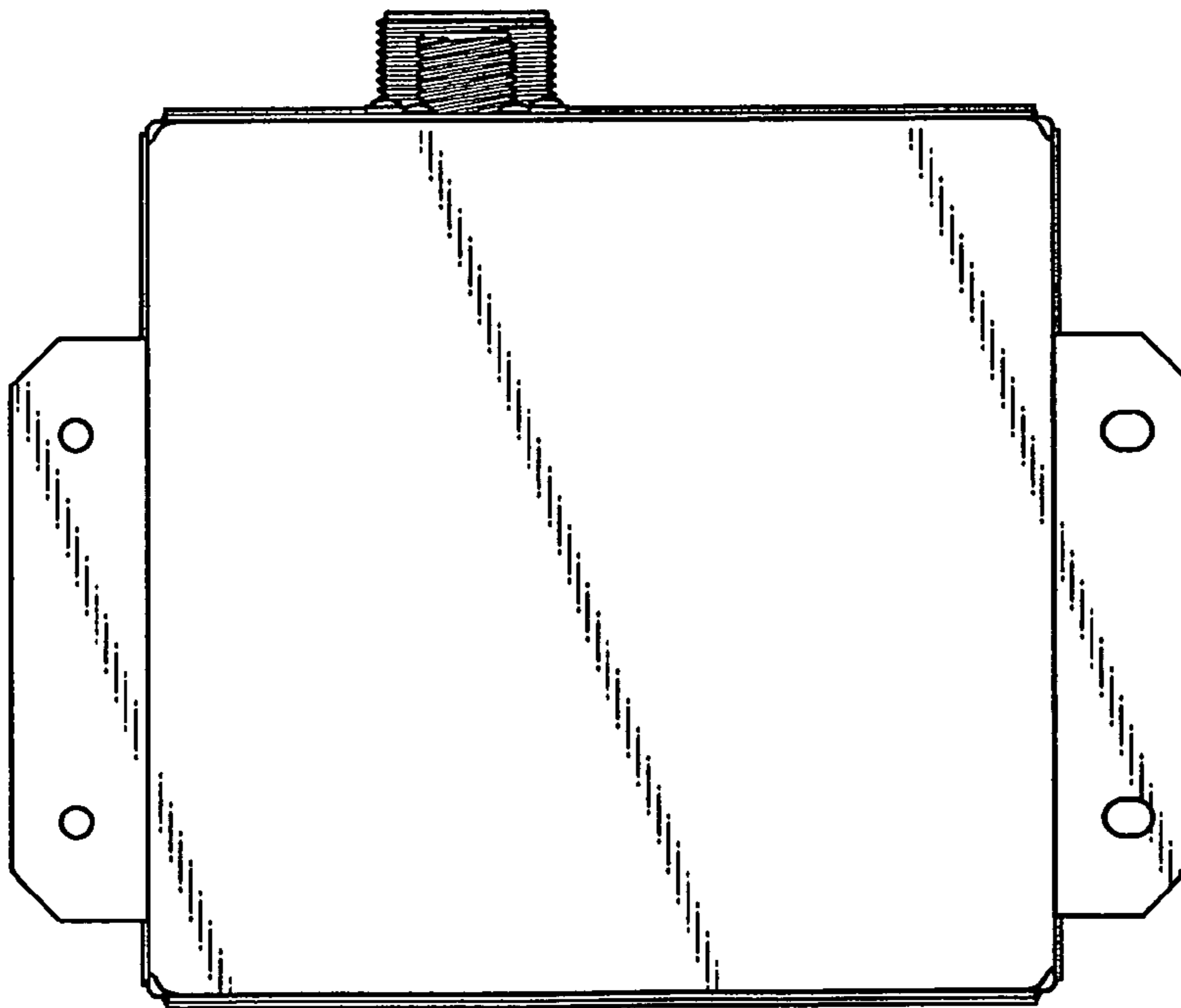
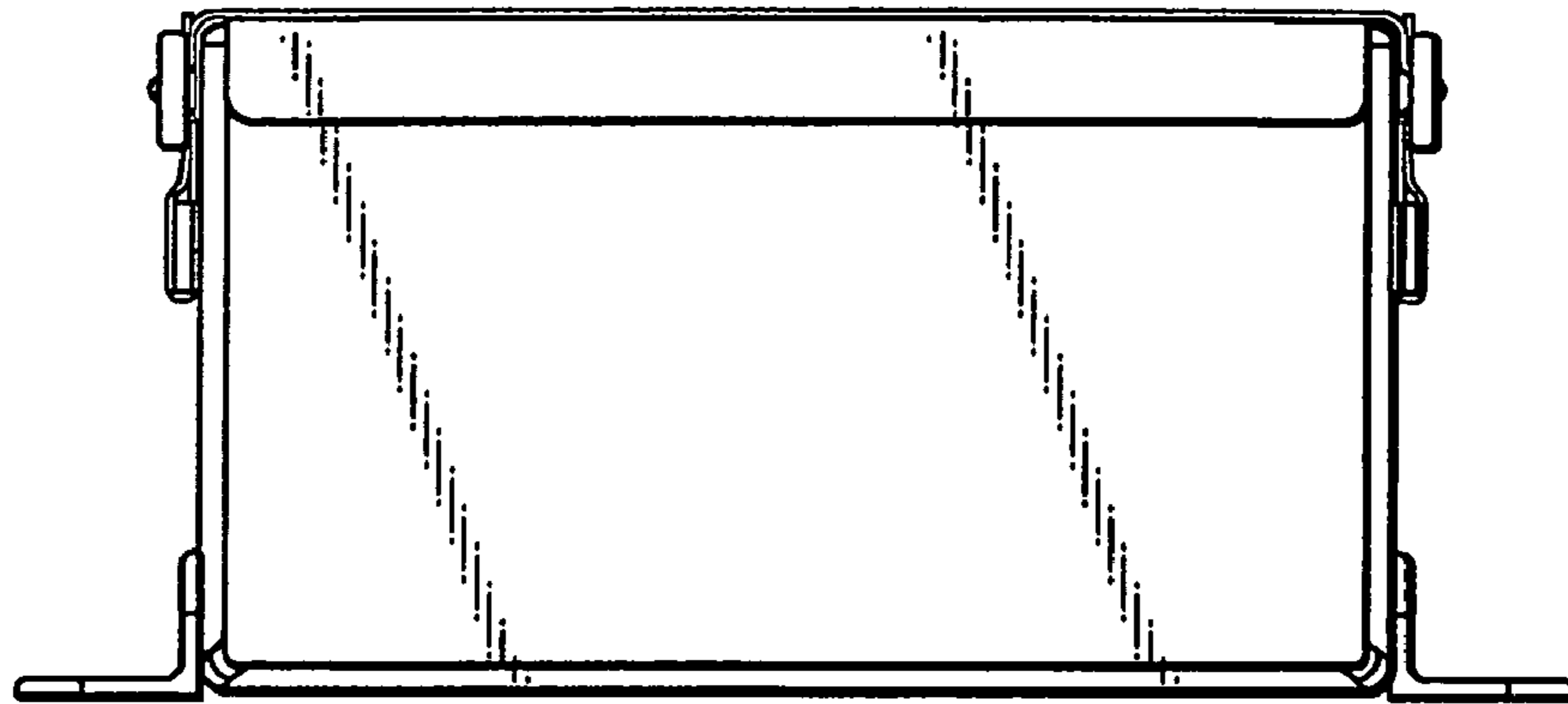


Fig. 28





**Fig. 29**



**Fig. 30**

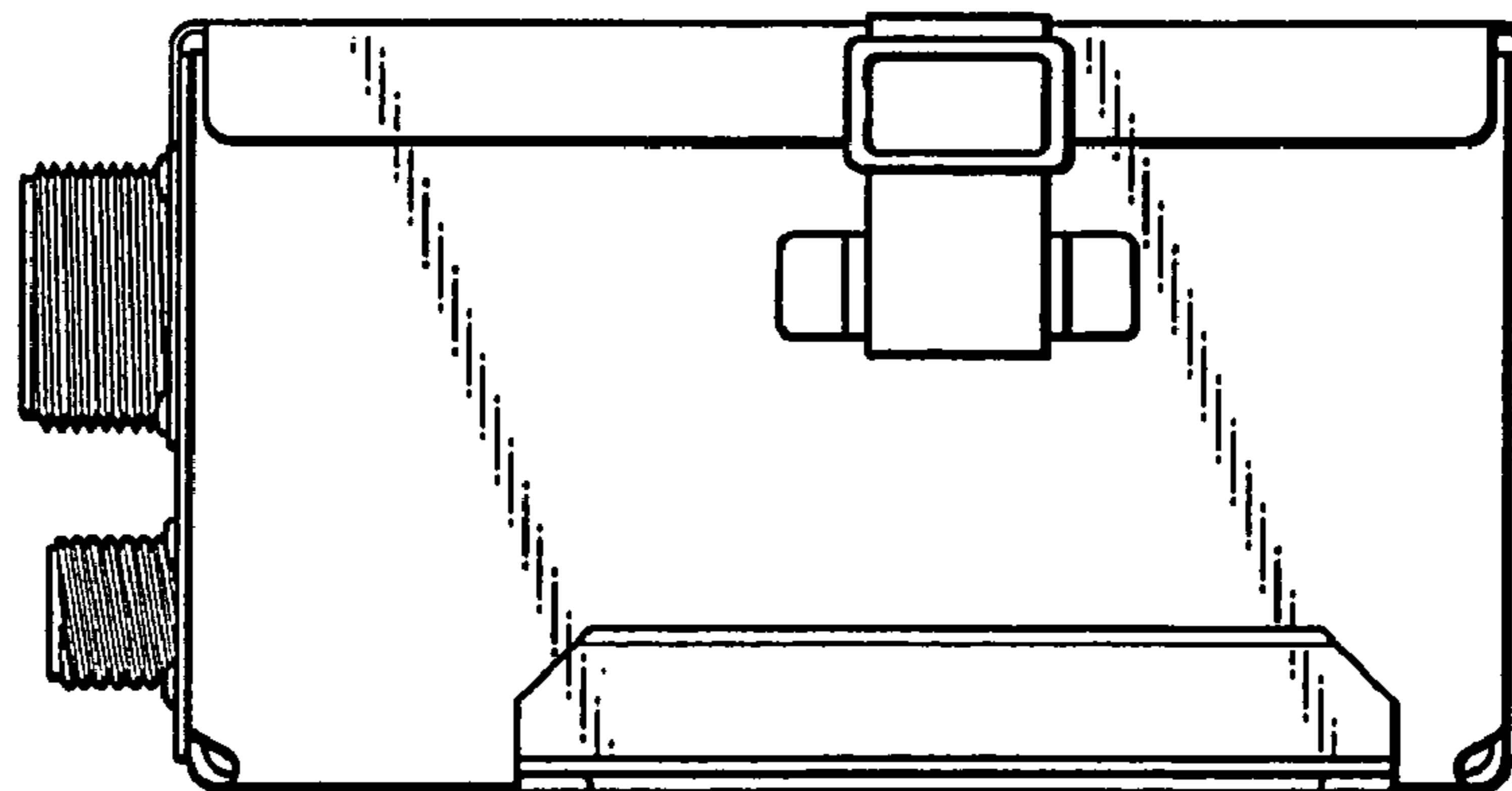


Fig. 31

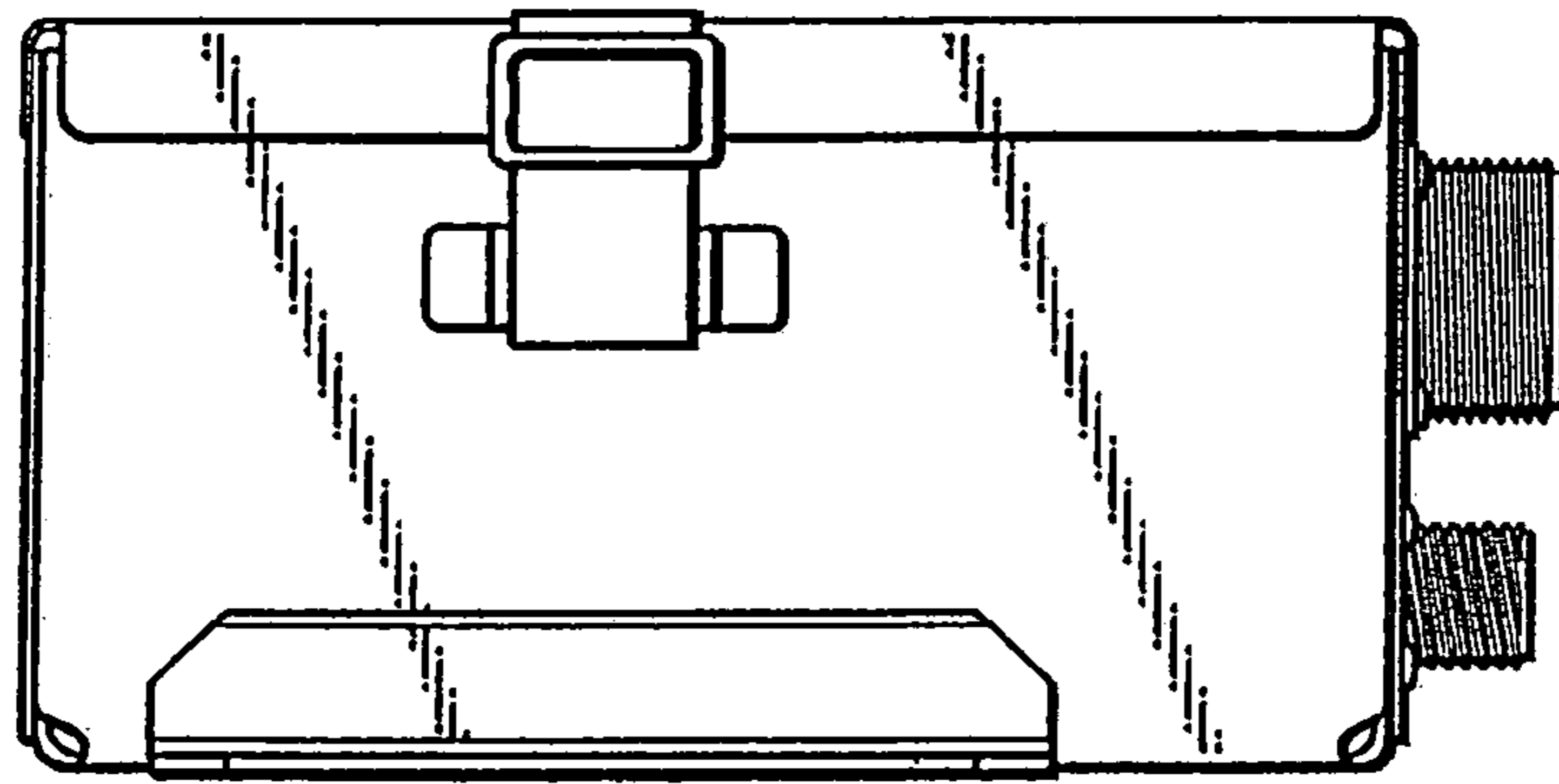


Fig. 32

