



US00D602427S

(12) **United States Design Patent**  
**Takahashi**

(10) **Patent No.:** **US D602,427 S**  
(45) **Date of Patent:** **\*\* Oct. 20, 2009**

(54) **AUTOMOBILE TIRE**

JP 1154506 S 9/2002

(75) Inventor: **Toshihiko Takahashi**, Osaka (JP)

\* cited by examiner

(73) Assignee: **Toyo Tire & Rubber Co., Ltd.**, Osaka (JP)

*Primary Examiner*—Stacia Cadmus

(74) *Attorney, Agent, or Firm*—Westerman, Hattori, Daniels & Adrian, LLP.

(\*\*) Term: **14 Years**

(57) **CLAIM**

(21) Appl. No.: **29/328,504**

The ornamental design for an automobile tire, as shown and described.

(22) Filed: **Nov. 25, 2008**

(30) **Foreign Application Priority Data**

Oct. 23, 2008 (JP) ..... 2008-027240

(51) **LOC (9) Cl.** ..... **12-15**

(52) **U.S. Cl.** ..... **D12/605**

(58) **Field of Classification Search** ..... D12/500–501,  
D12/544, 579, 600, 605; 152/523–524, DIG. 12,  
152/555

See application file for complete search history.

(56) **References Cited**

**U.S. PATENT DOCUMENTS**

D379,168 S *	5/1997	Ratliff, Jr.	.....	D12/605
D450,034 S *	11/2001	Kajikawa	.....	D12/605
D506,435 S *	6/2005	Maxwell et al.	.....	D12/605
D517,003 S *	3/2006	Shondel	.....	D12/605
D552,536 S *	10/2007	Shondel	.....	D12/605
D561,089 S *	2/2008	Maxwell	.....	D12/605
D585,018 S *	1/2009	Shondel	.....	D12/605

**FOREIGN PATENT DOCUMENTS**

JP 1122905 S 10/2001

**DESCRIPTION**

FIG. 1 is a front, elevation view of an automobile tire showing my new design;

FIG. 2 is a rear, elevation view thereof;

FIG. 3 is a left-side, elevation view thereof;

FIG. 4 is a top plan view thereof;

FIG. 5 is a perspective view thereof;

FIG. 6 is an enlarged view 1 of the part A1—A2 in FIG. 1;

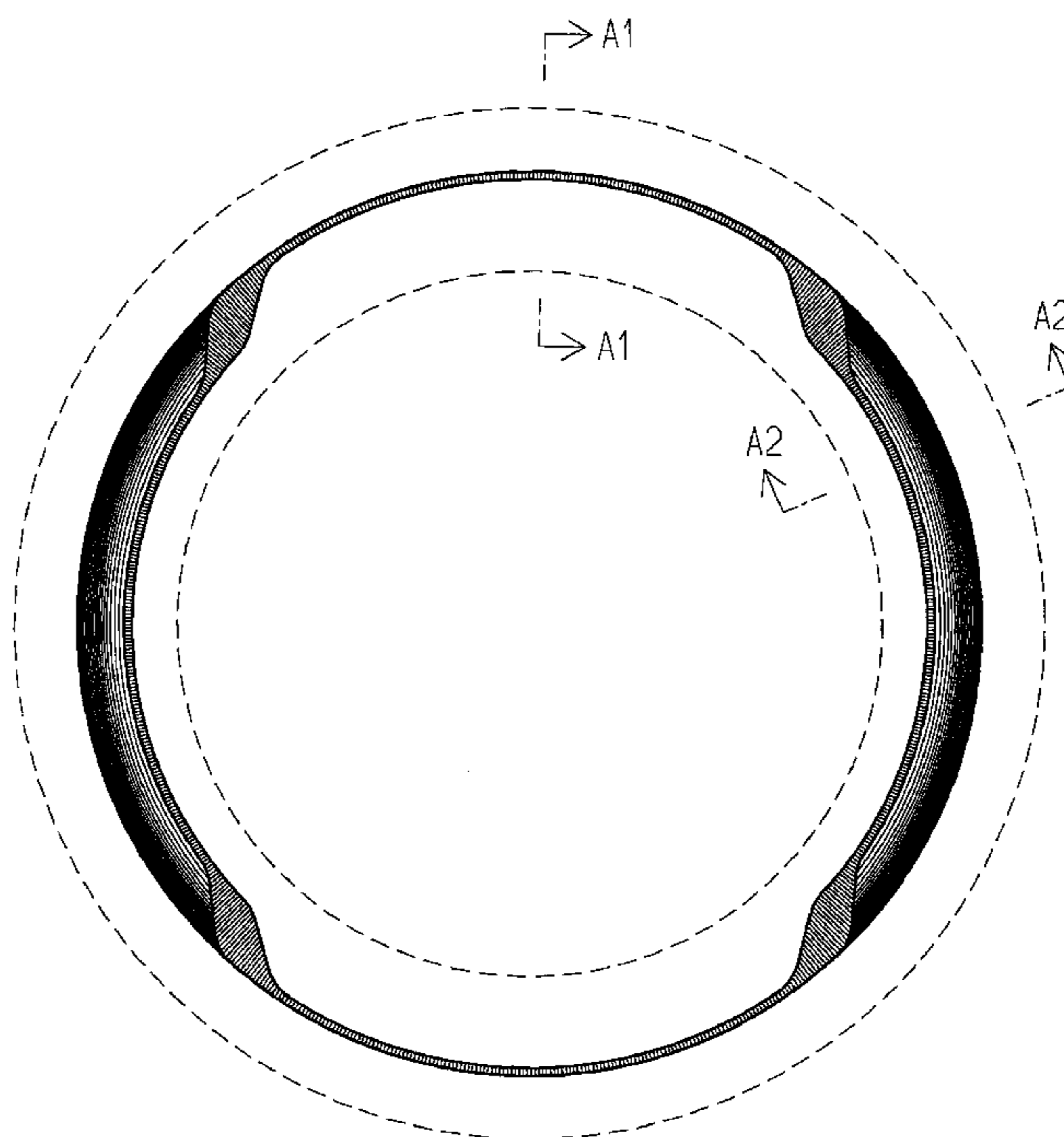
FIG. 7 is an enlarged cross-section view taken along the line D1—D2 of FIG. 6, in the part of B—B of FIG. 4 and the part C—C of FIG. 6;

FIG. 8 is an enlarged view 2 of the part A1—A2 in FIG. 1; and,

FIG. 9 is an enlarged cross-section view taken along the line F1—F2 of FIG. 8, in the part B—B of FIG. 4 and the part E—E of FIG. 8.

The broken lines in the drawings illustrate environmental structure and form no part of the claimed design.

**1 Claim, 9 Drawing Sheets**



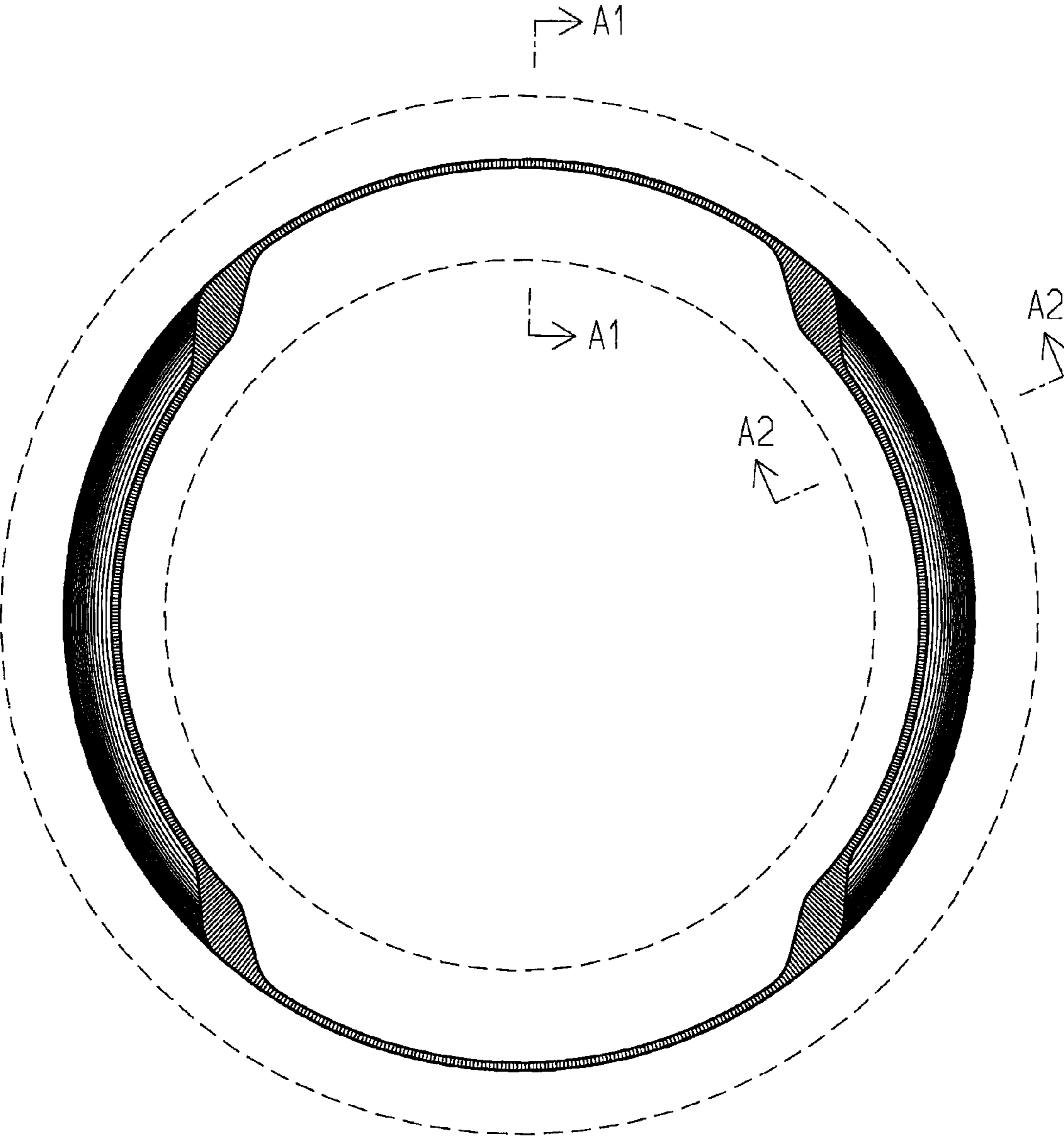


FIG.1

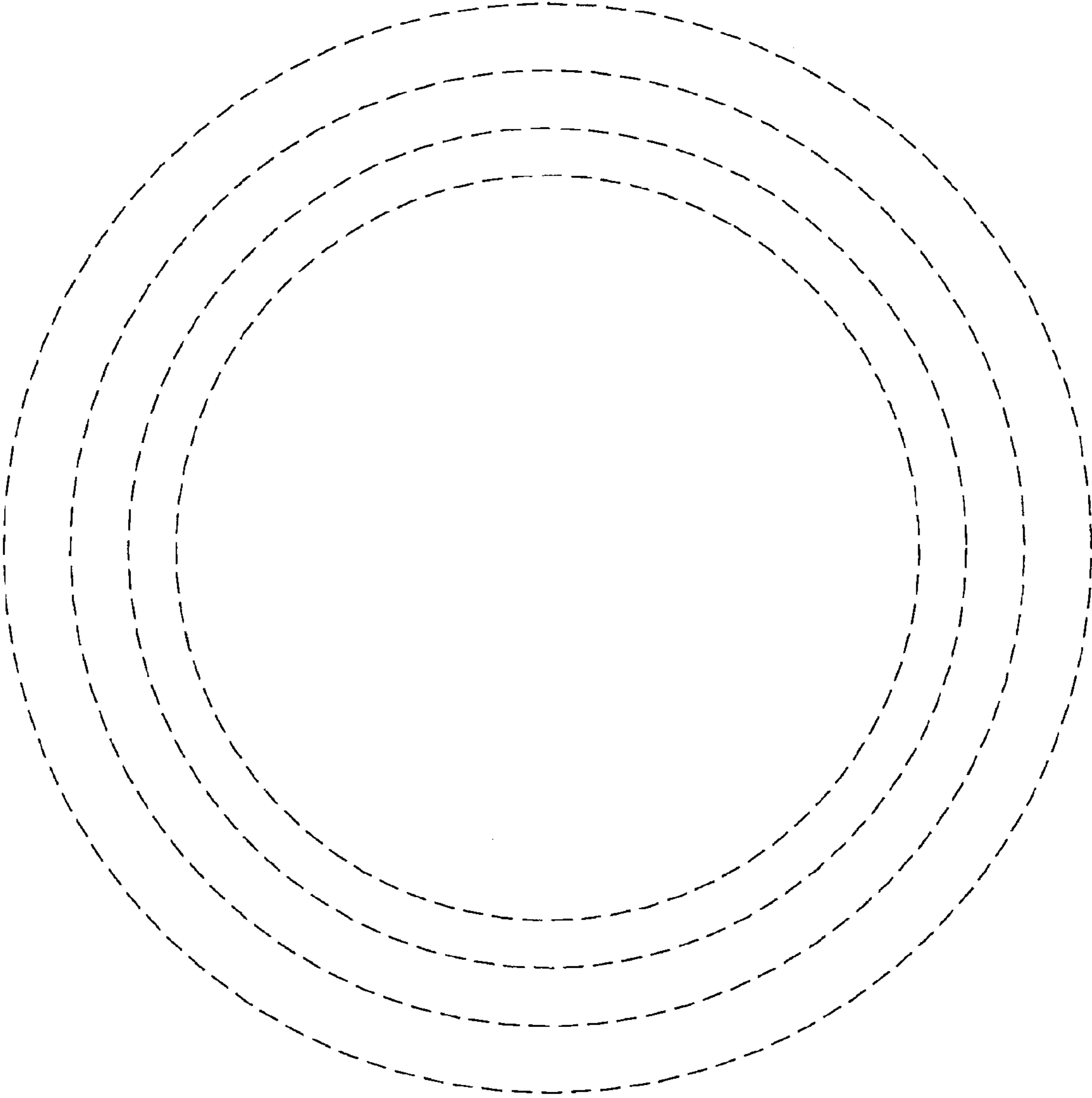


FIG.2

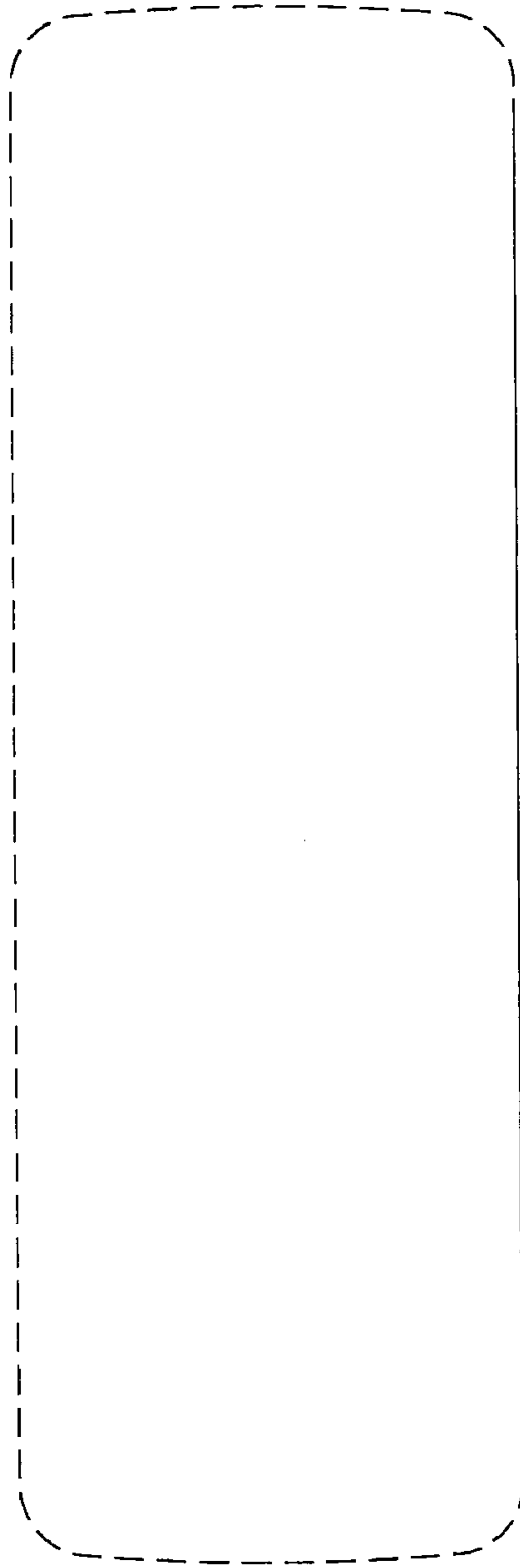


FIG.3

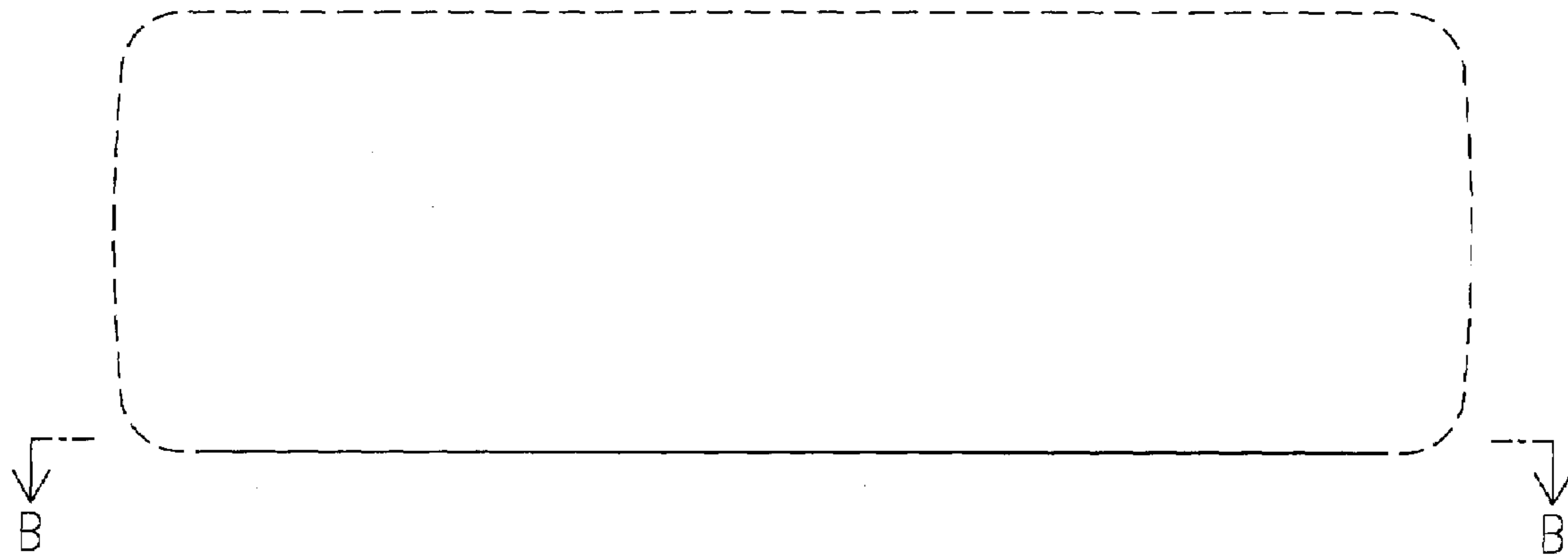


FIG.4

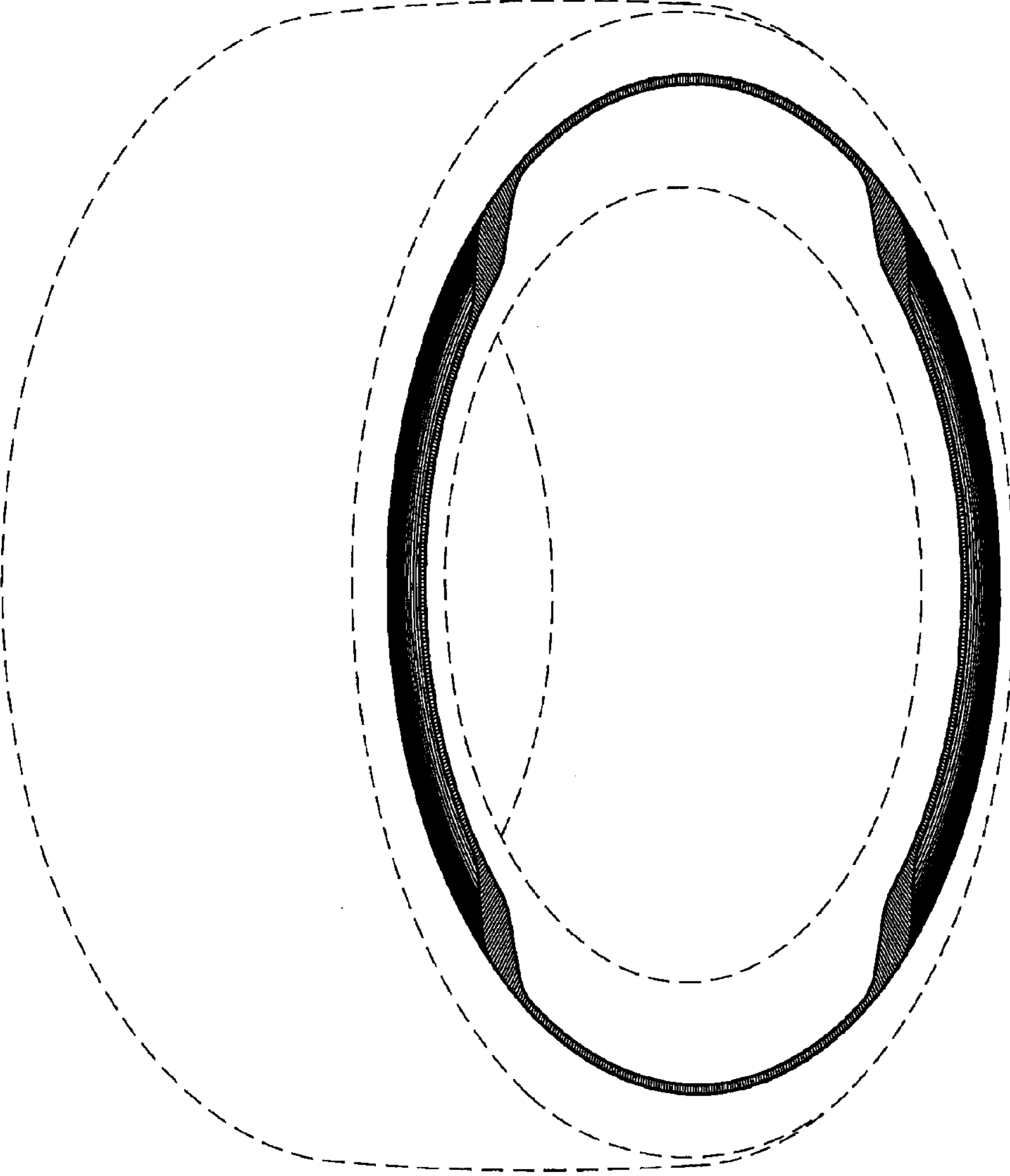


FIG.5

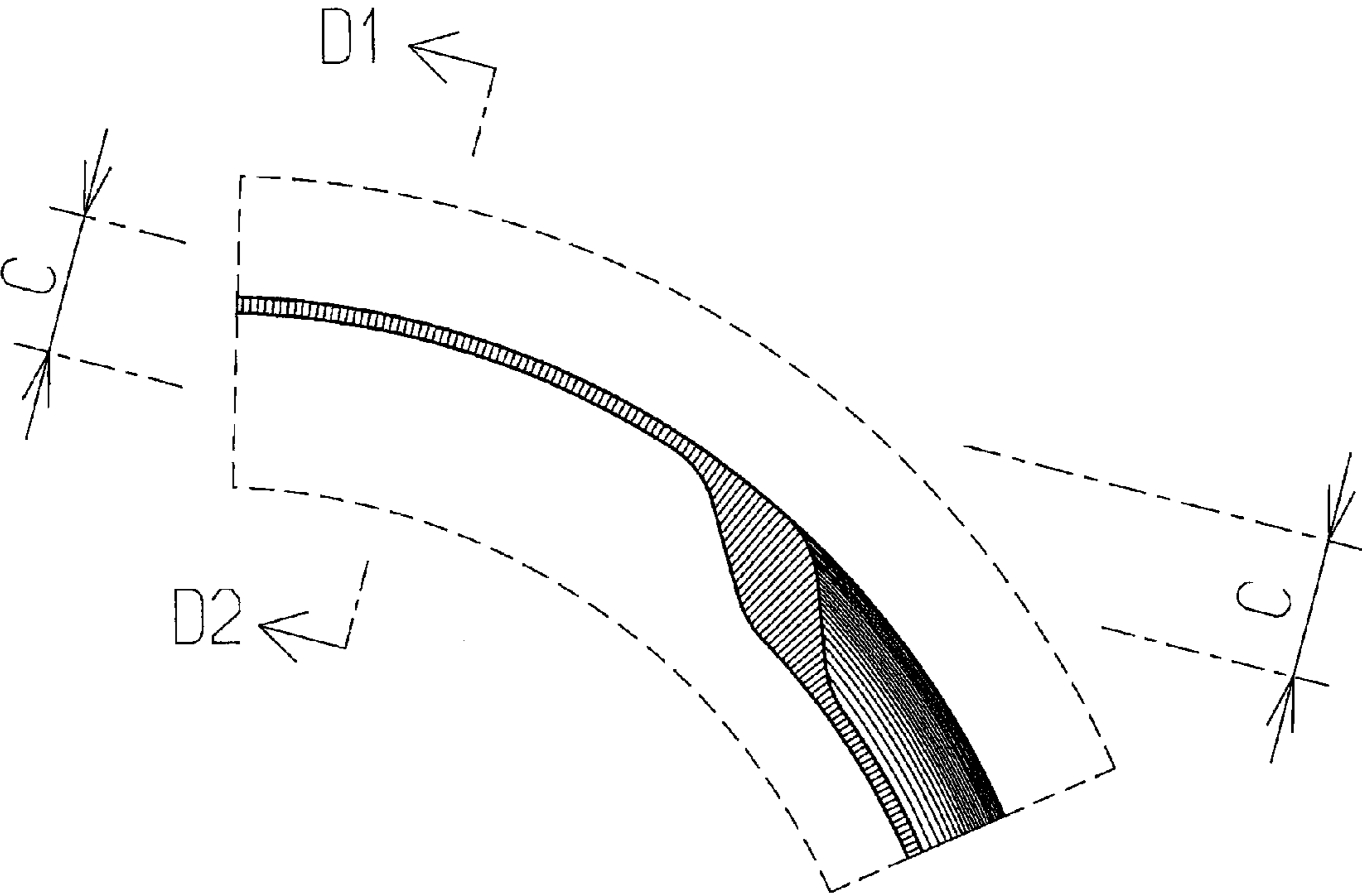


FIG.6

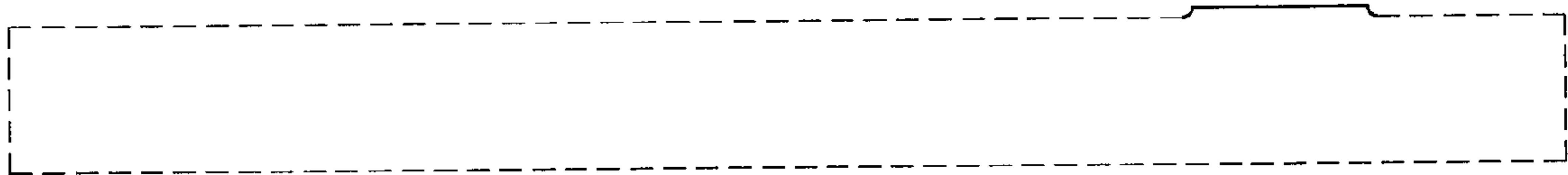


FIG.7



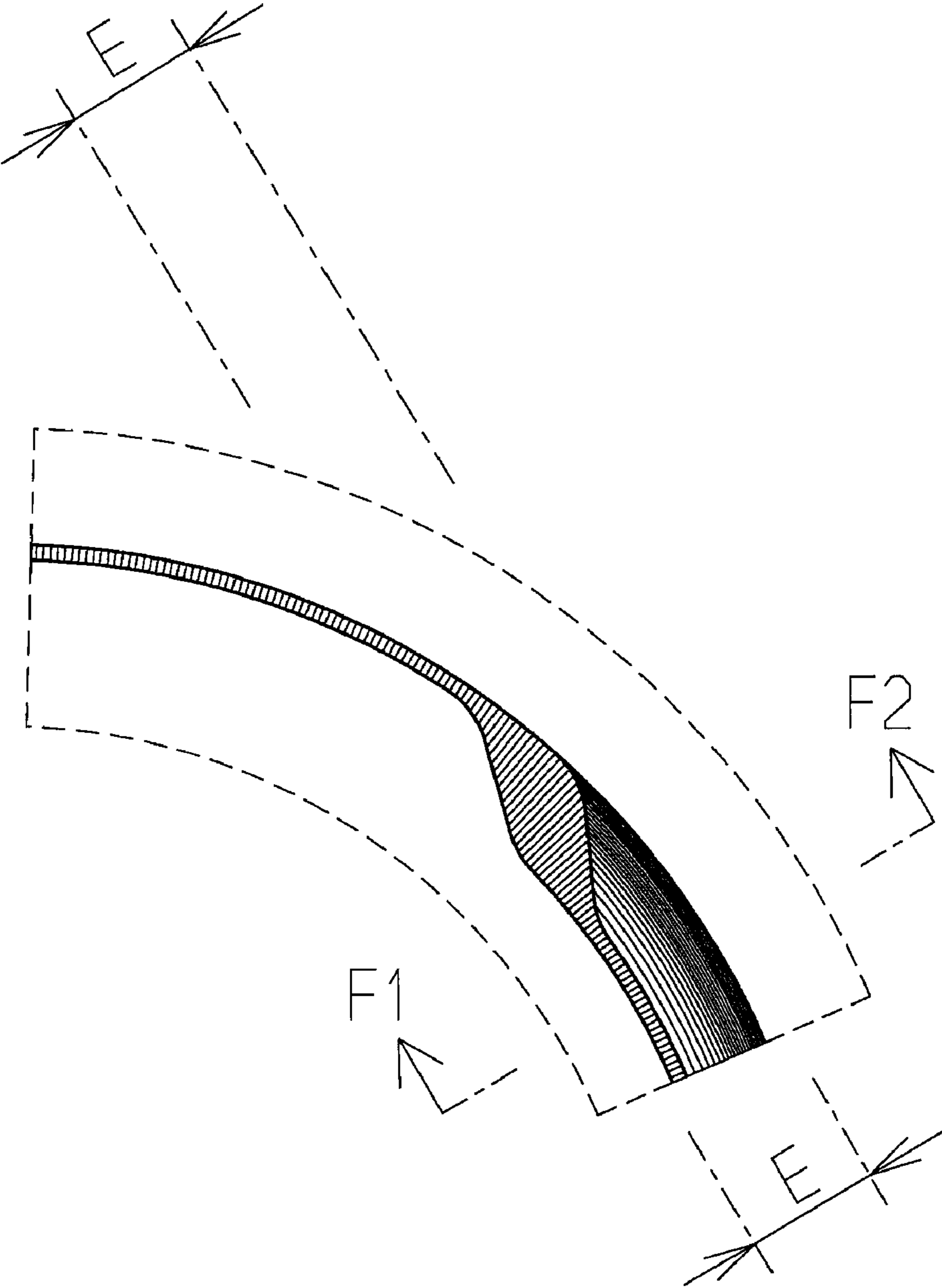


FIG.8

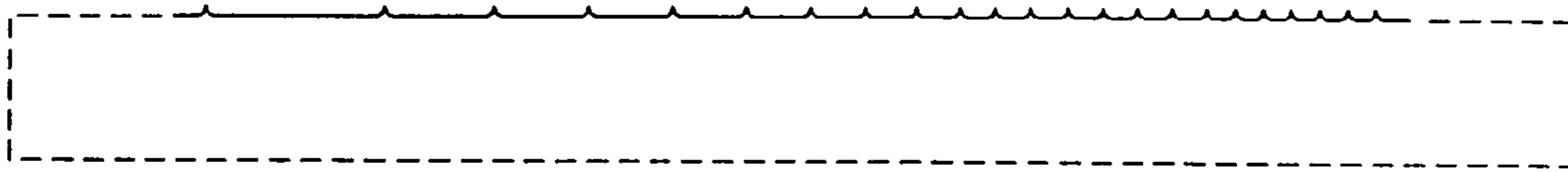


FIG.9