

US00D602423S

(12) **United States Design Patent**
Westaway

(10) **Patent No.:** **US D602,423 S**

(45) **Date of Patent:** **** Oct. 20, 2009**

(54) **TIRE TREAD**

(75) **Inventor:** **Terry A. Westaway**, Conesville, IA (US)

(73) **Assignee:** **Bridgestone Bandag, LLC**, Muscatine, IA (US)

(**) **Term:** **14 Years**

(21) **Appl. No.:** **29/289,617**

(22) **Filed:** **Jul. 26, 2007**

(51) **LOC (9) Cl.** **12-15**

(52) **U.S. Cl.** **D12/583**

(58) **Field of Classification Search** D12/515-516,
D12/547-548, 582-583, 586-587; 152/209.1,
152/209.8-209.18, 209.25-209.28, 455
See application file for complete search history.

(56) **References Cited**

U.S. PATENT DOCUMENTS

D206,705 S *	1/1967	Hawkinson	D12/582
D207,043 S *	2/1967	Antonson	D12/583
D214,149 S *	5/1969	Morstatter	D12/582
D221,040 S *	6/1971	Ravenhall	D12/587
D265,184 S *	6/1982	Hammond	D12/586
D269,001 S *	5/1983	Hammond et al.	D12/583
D274,323 S	6/1984	Roelle et al.		
D283,498 S *	4/1986	Baus	D12/583
D288,914 S *	3/1987	Hinkel et al.	D12/586
D313,208 S *	12/1990	Cottrell	D12/583
D336,267 S *	6/1993	Bonvini et al.	D12/583
D359,714 S *	6/1995	Hammond et al.	D12/586
D382,518 S *	8/1997	Labbe et al.	D12/583
D391,533 S *	3/1998	Labbe et al.	D12/583
D397,646 S *	9/1998	Labbe et al.	D12/583
D415,453 S	10/1999	Duncklee		
D415,720 S	10/1999	Roelle et al.		

D415,723 S	10/1999	Roelle et al.		
D417,856 S	12/1999	Roelle et al.		
D418,091 S	12/1999	Slutz		
D418,457 S	1/2000	Roelle et al.		
D419,926 S	2/2000	Sidhom		
D420,311 S	2/2000	Sidhom		
D420,951 S	2/2000	Cai		
D429,188 S *	8/2000	Schuster et al.	D12/583

FOREIGN PATENT DOCUMENTS

BR D16101827-9 8/2001

OTHER PUBLICATIONS

U.S. Appl. No. 29/277,524, filed Feb. 28, 2007, Cai.
Michelin® Retreads New Product Bulletin, Sep. 7, 2006 (2 pages).

* cited by examiner

Primary Examiner—Stacia Cadmus

(74) *Attorney, Agent, or Firm*—Leydig, Voit & Mayer, Ltd

(57) **CLAIM**

The ornamental design for a tire tread, as shown and described.

DESCRIPTION

FIG. 1 is a perspective view of a tire tread, it being understood that the tread pattern is repeated over the circumference of the tire.

FIG. 2 is an enlarged, fragmentary perspective view of the tire tread of FIG. 1; and,

FIG. 3 is an enlarged, fragmentary plan view of the tire tread of FIG. 1.

The broken lines in the views depict environmental structure that is shown for illustrative purposes only and that does not form any part of the claimed design.

1 Claim, 3 Drawing Sheets

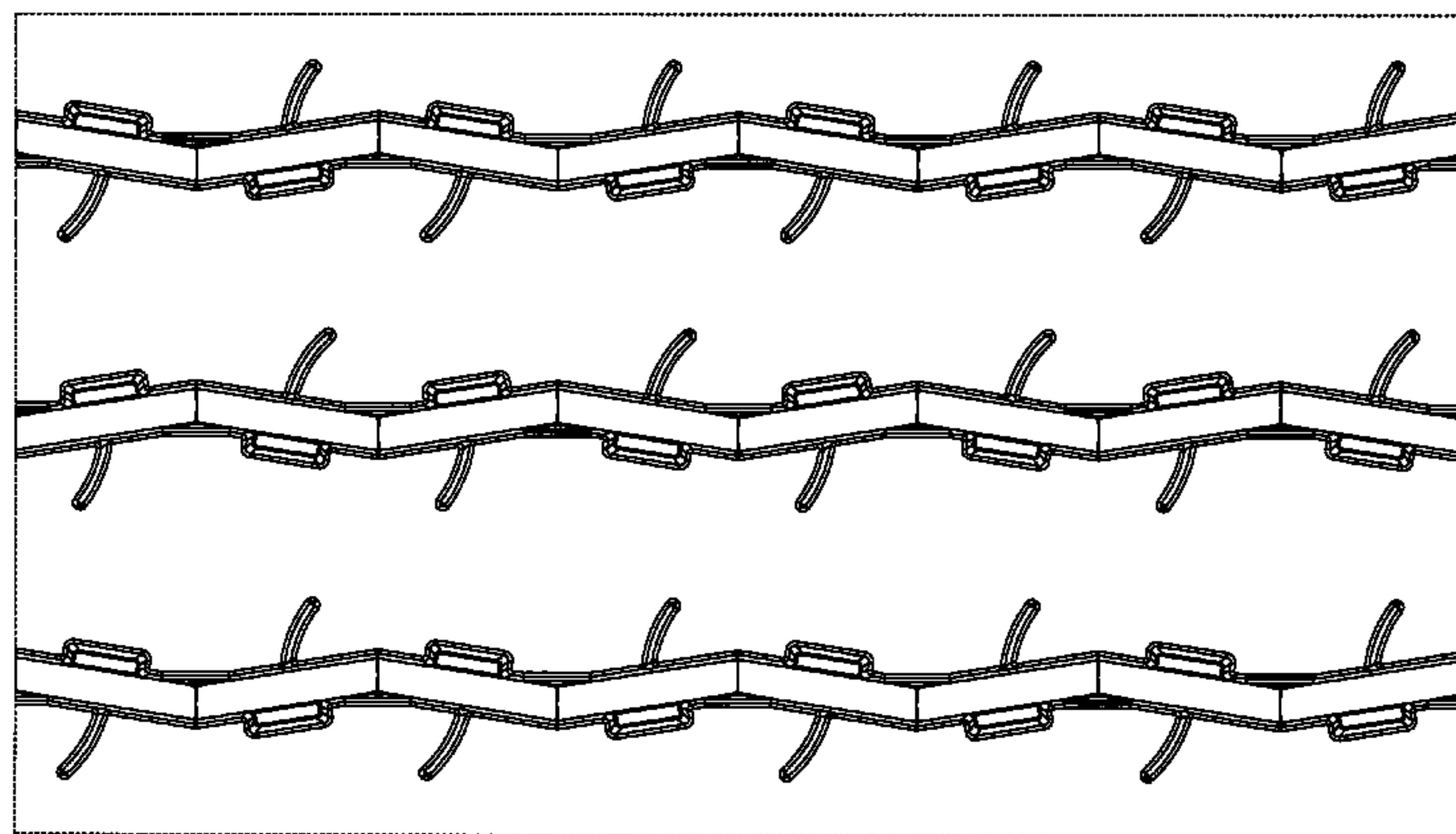
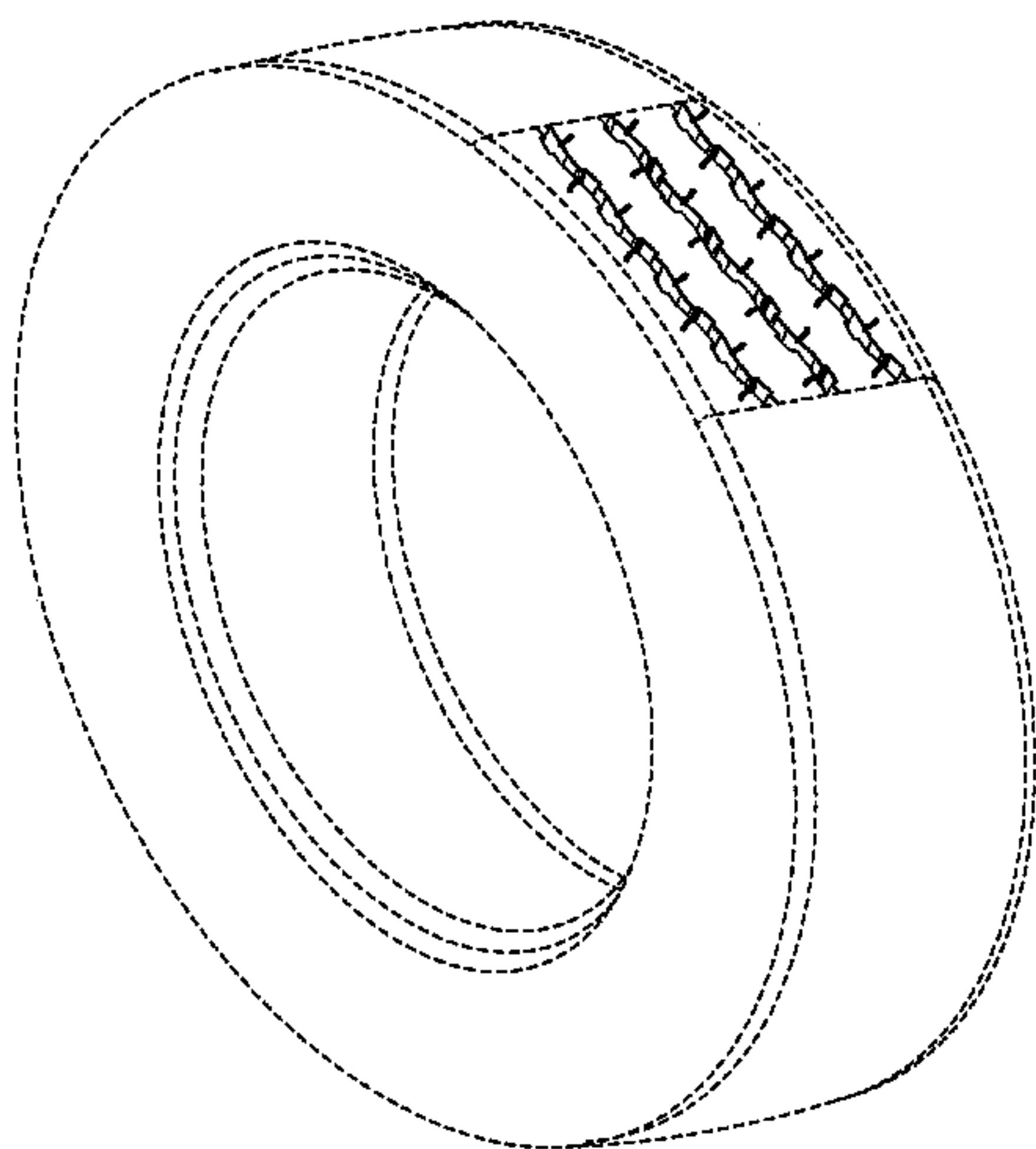


FIG. 1

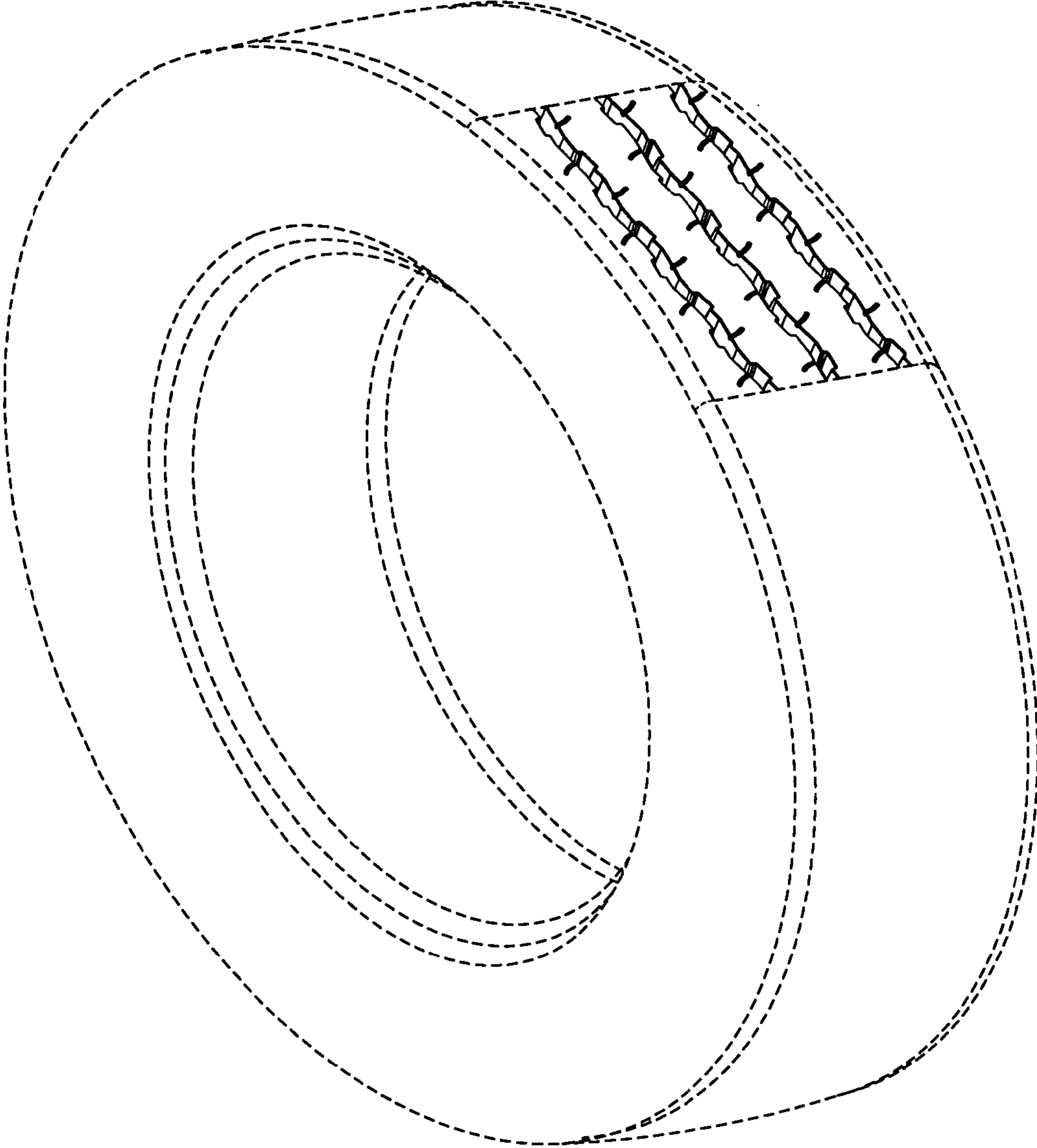


FIG. 2

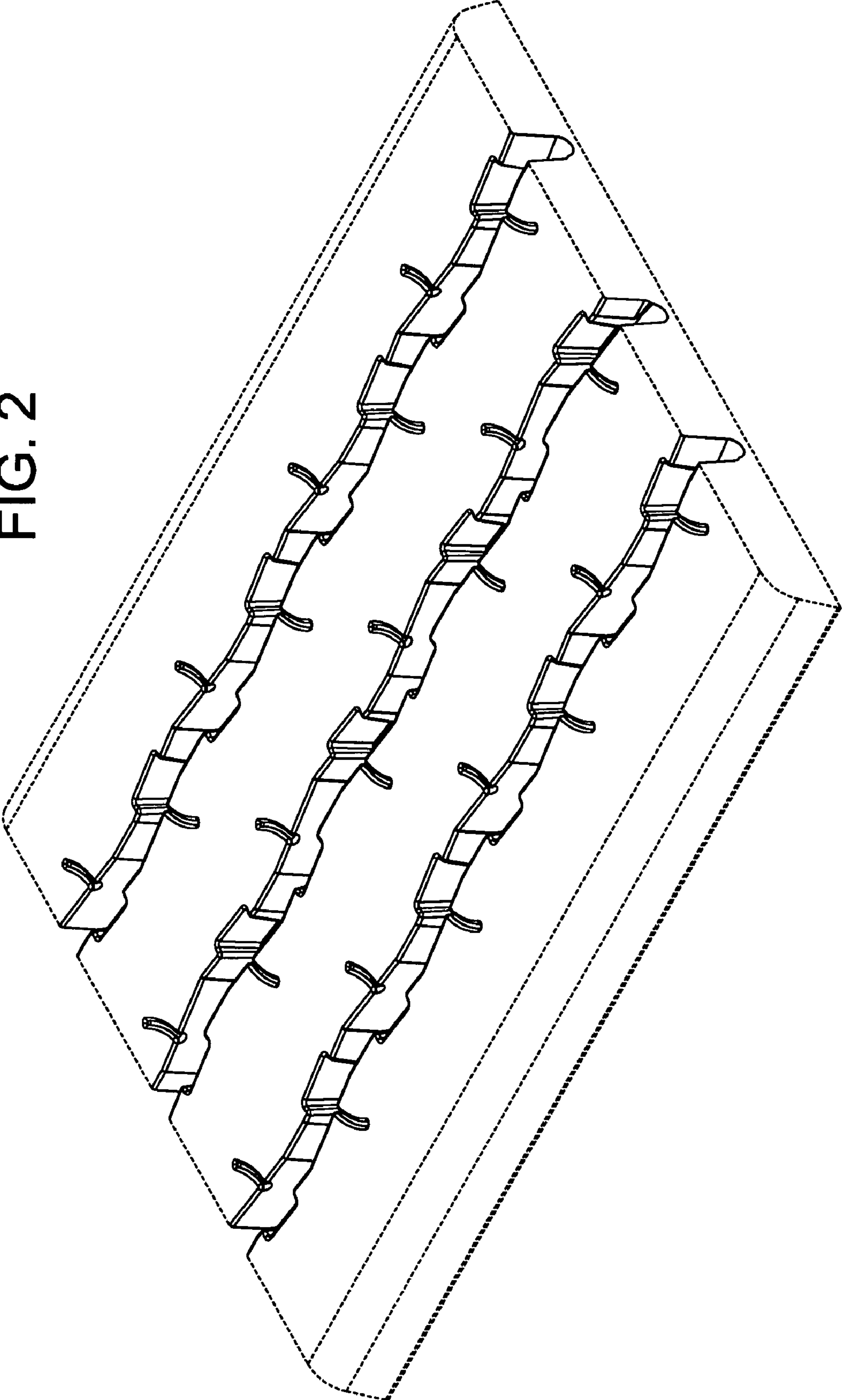


FIG. 3

