



US00D602420S

(12) **United States Design Patent**
Kuschmeader et al.

(10) **Patent No.:** **US D602,420 S**
(45) **Date of Patent:** **** Oct. 20, 2009**

(54) **BICYCLE RACK**

(75) Inventors: **Luke Kuschmeader**, Battlefield, MO (US); **Brian Atkinson**, Springfield, MO (US)

(73) Assignee: **Kuat Innovations, LLC**, Springfield, MO (US)

(**) Term: **14 Years**

(21) Appl. No.: **29/312,331**

(22) Filed: **Oct. 15, 2008**

(51) **LOC (9) Cl.** **12-11**

(52) **U.S. Cl.** **D12/408**

(58) **Field of Classification Search** D12/408,
D12/406, 407, 414; 224/42.11, 329, 331,
224/412, 413, 419, 454-456, 488, 489, 495,
224/496, 497, 499, 493, 502, 505, 506, 511-521,
224/523, 532, 533, 531, 536, 553, 529, 537,
224/490-492, 403, 924; 280/304.5; 211/5,
211/17-22

See application file for complete search history.

(56) **References Cited**

U.S. PATENT DOCUMENTS

D447,997 S * 9/2001 Ferman et al. D12/408

7,000,814 B2 * 2/2006 Wang 224/520
7,055,725 B1 * 6/2006 Kolda 224/505
7,261,228 B2 * 8/2007 Prescott et al. 224/502
2007/0057001 A1 * 3/2007 Wang 224/536

* cited by examiner

Primary Examiner—Robin V Webster

Assistant Examiner—Linda Brooks

(74) *Attorney, Agent, or Firm*—Lathrop & Gage LLP

(57) **CLAIM**

An ornamental design for a bicycle rack, as shown and described.

DESCRIPTION

FIG. 1 is a perspective view of the bicycle rack showing the inventive design thereof;

FIG. 2 is a first side elevation view thereof;

FIG. 3 is a second side elevation view thereof;

FIG. 4 is a front elevation view thereof;

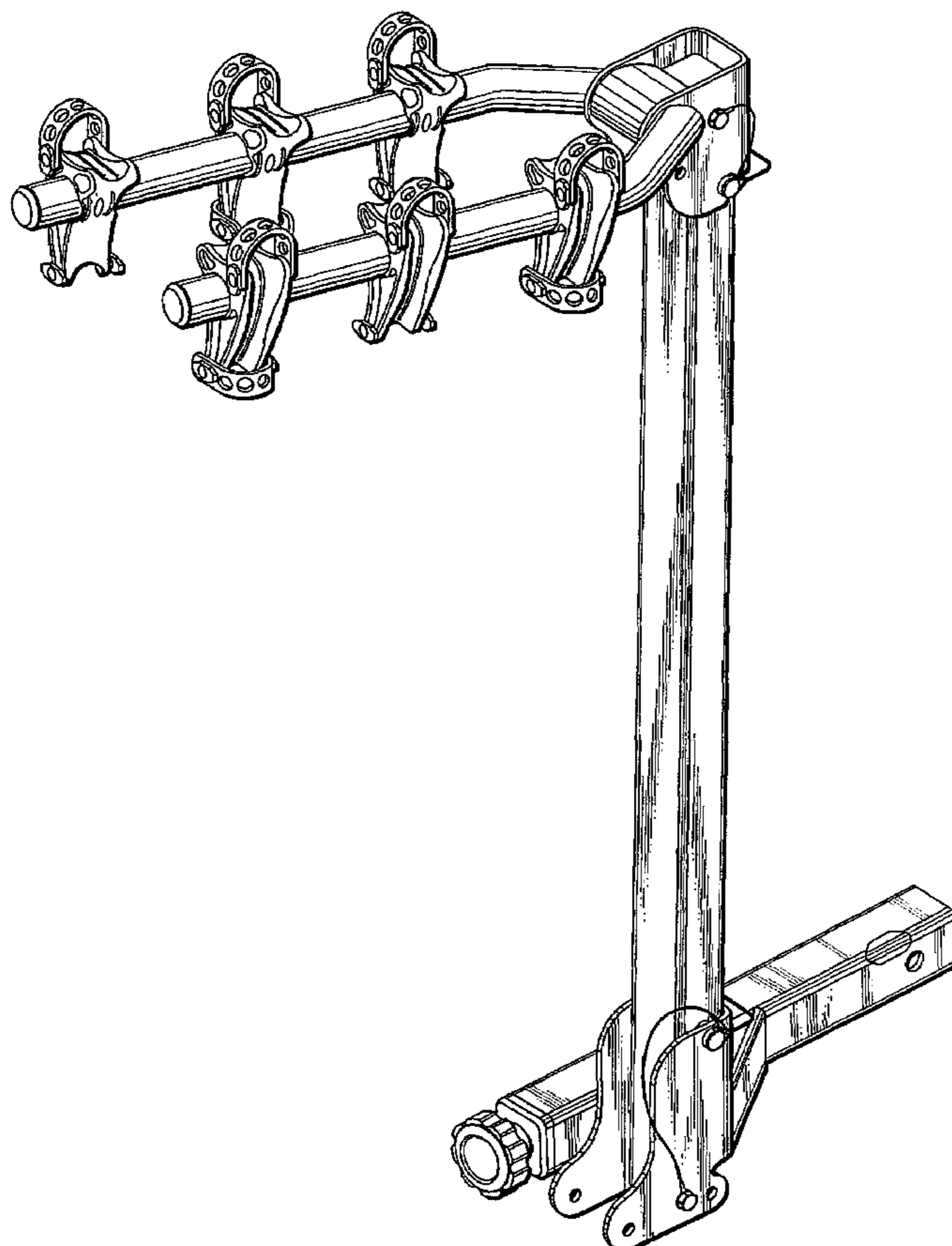
FIG. 5 is a rear elevation view thereof;

FIG. 6 is a top view thereof; and,

FIG. 7 is a bottom view thereof.

The feature shown in broken lines forms no part of the claimed design.

1 Claim, 6 Drawing Sheets



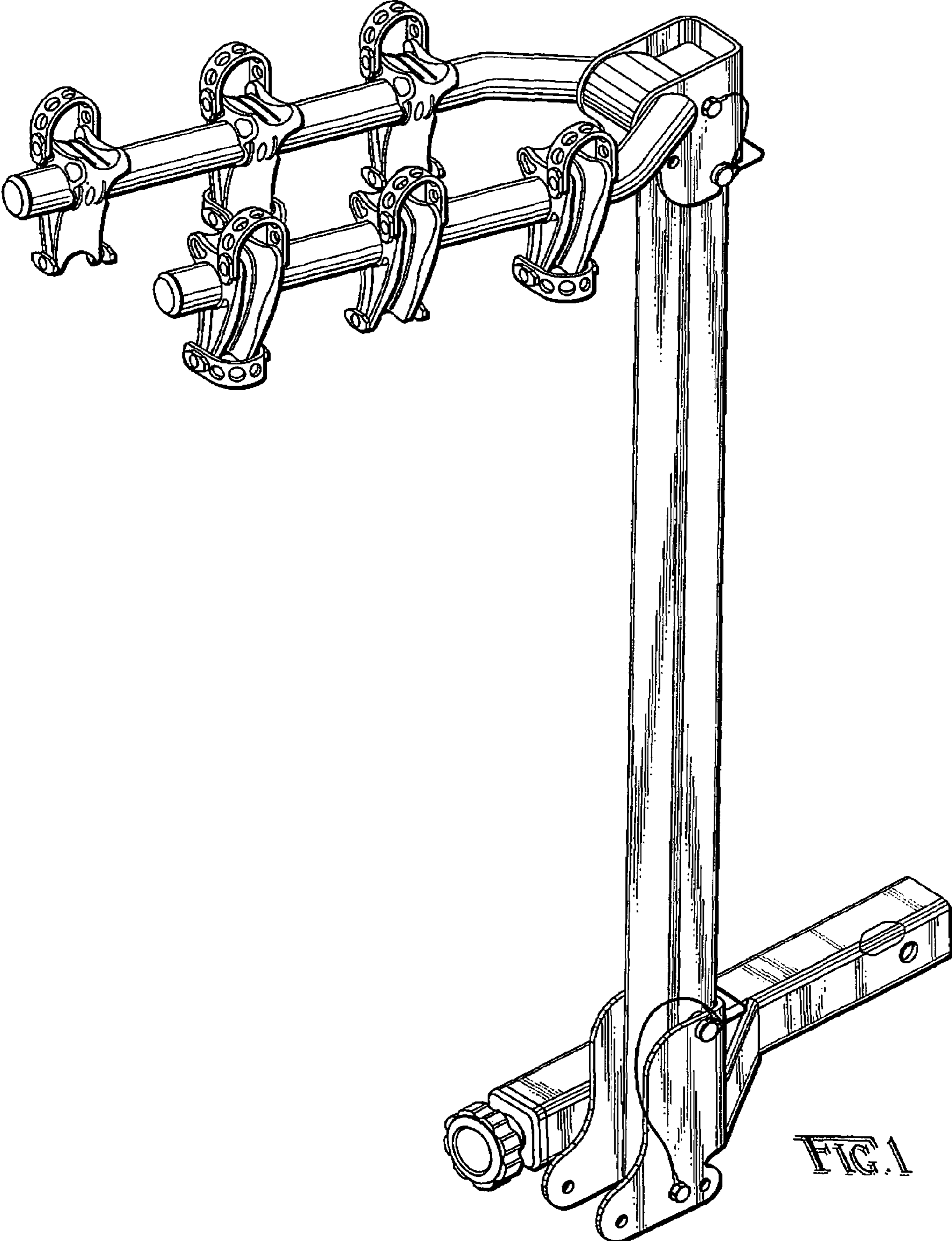


FIG. 1

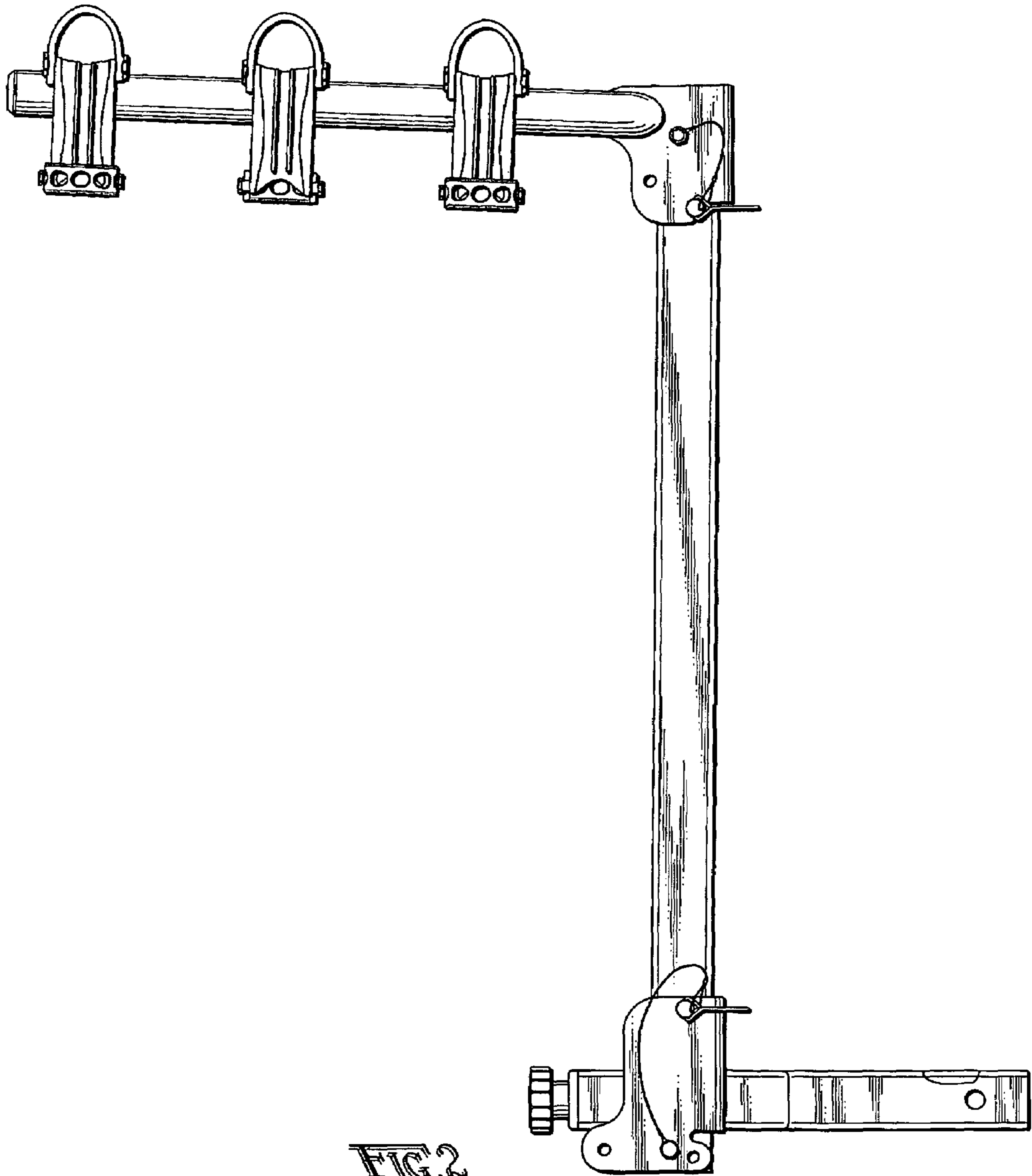


FIG. 2

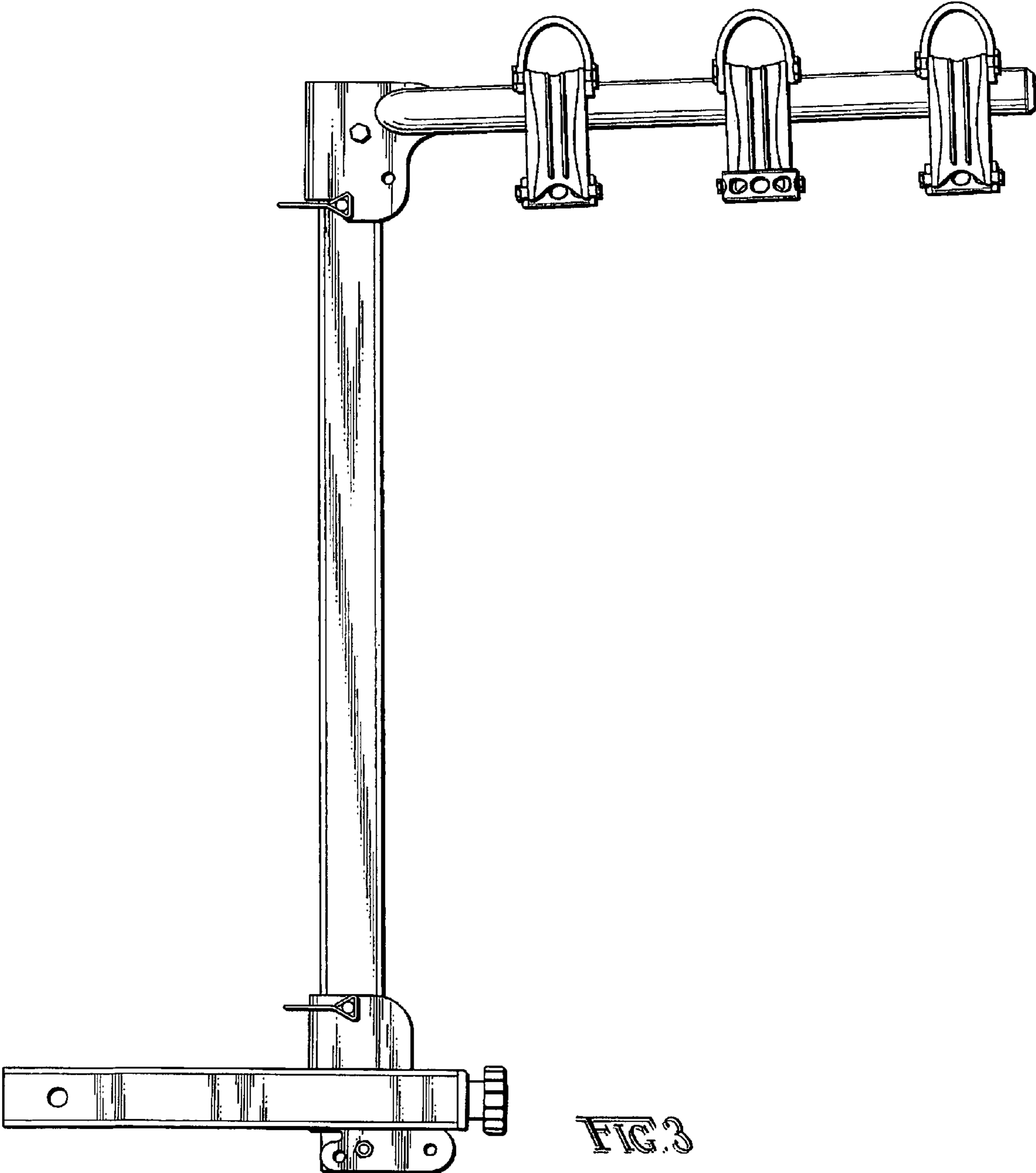


FIG. 3

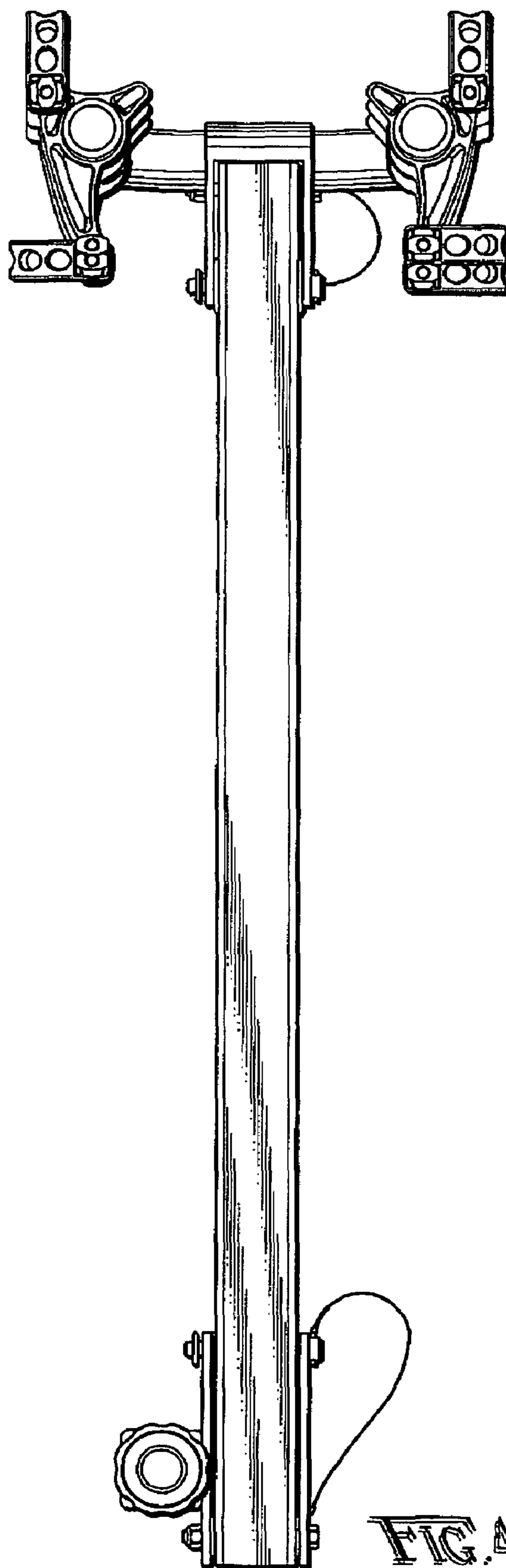


FIG. A

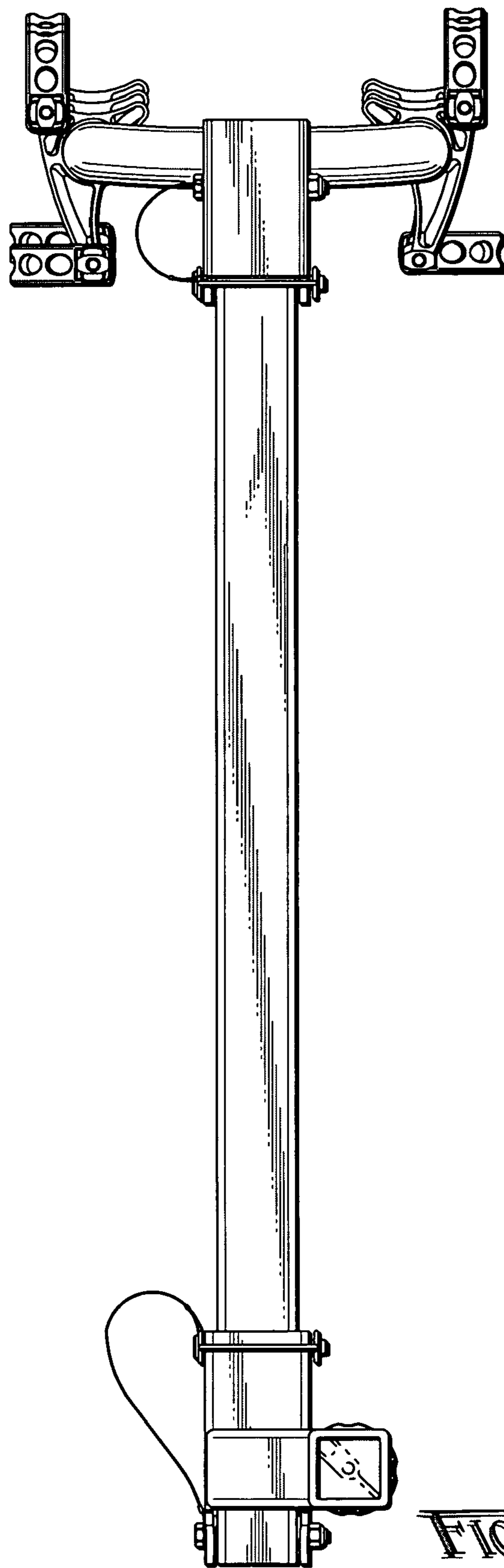


FIG. 5

