



US00D602416S

(12) **United States Design Patent**
Corwin

(10) **Patent No.:** **US D602,416 S**

(45) **Date of Patent:** **** Oct. 20, 2009**

(54) **TRAILER HITCH STEP**

(75) Inventor: **Bobby V. Corwin**, Crescent, OK (US)

(73) Assignee: **BabCor, L.L.C.**, Crescent, OK (US)

(**) Term: **14 Years**

(21) Appl. No.: **29/326,722**

(22) Filed: **Oct. 23, 2008**

(51) **LOC (9) Cl.** **12-16**

(52) **U.S. Cl.** **D12/203**

(58) **Field of Classification Search** D12/203,
D12/400; D25/62, 69, 68; 280/163, 169,
280/164, 166; 182/92, 91, 196; D30/142;
54/47

See application file for complete search history.

(56) **References Cited**

U.S. PATENT DOCUMENTS

186,853	A *	1/1877	Knight	54/47
1,020,752	A *	3/1912	Haines	54/47
2,975,858	A *	3/1961	Billingsley	182/196
D276,716	S *	12/1984	Dignan	D12/203
D296,887	S *	7/1988	Walling et al.	D12/203
D315,134	S *	3/1991	Springer	D12/203
5,738,362	A	4/1998	Ludwick		
D429,389	S *	8/2000	Bostock	D30/142
6,145,865	A	11/2000	Cannara et al.		
D445,076	S *	7/2001	Weinerman	D12/203
D449,264	S *	10/2001	Weinerman	D12/203

6,511,086	B2	1/2003	Schlicht		
D479,819	S	9/2003	Arehart et al.		
D494,117	S *	8/2004	Ruffin	D12/203
D513,217	S	12/2005	Daws et al.		
D518,246	S *	3/2006	Bunjes	D30/142
D559,164	S	1/2008	Spera		

* cited by examiner

Primary Examiner—Cathron C Brooks

Assistant Examiner—Austin Murphy

(74) *Attorney, Agent, or Firm*—Dunlap Coddling, P.C.

(57) **CLAIM**

A new and ornamental design of a trailer hitch step, as shown and described.

DESCRIPTION

FIG. 1 is a perspective view of a trailer hitch step showing my new design.

FIG. 2 is a front elevational view thereof.

FIG. 3 is a rear elevational view thereof.

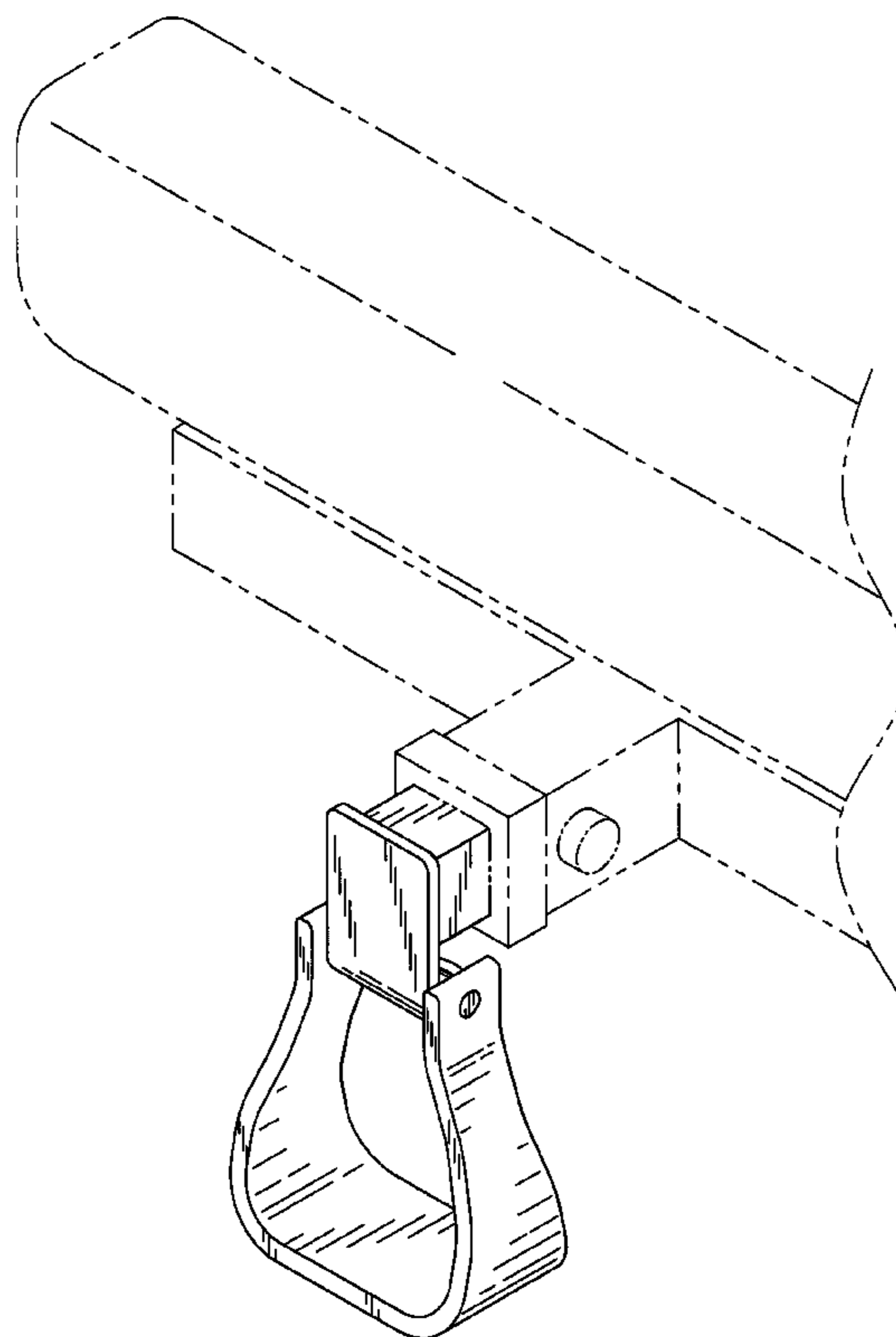
FIG. 4 is a left side elevational view thereof, the opposite side being a mirror image thereof.

FIG. 5 is a top plan view thereof; and,

FIG. 6 is a bottom plan view thereof.

The broken lines shown in FIG. 1 are for purposes of illustrating environment only and form no part of the claimed design.

1 Claim, 3 Drawing Sheets



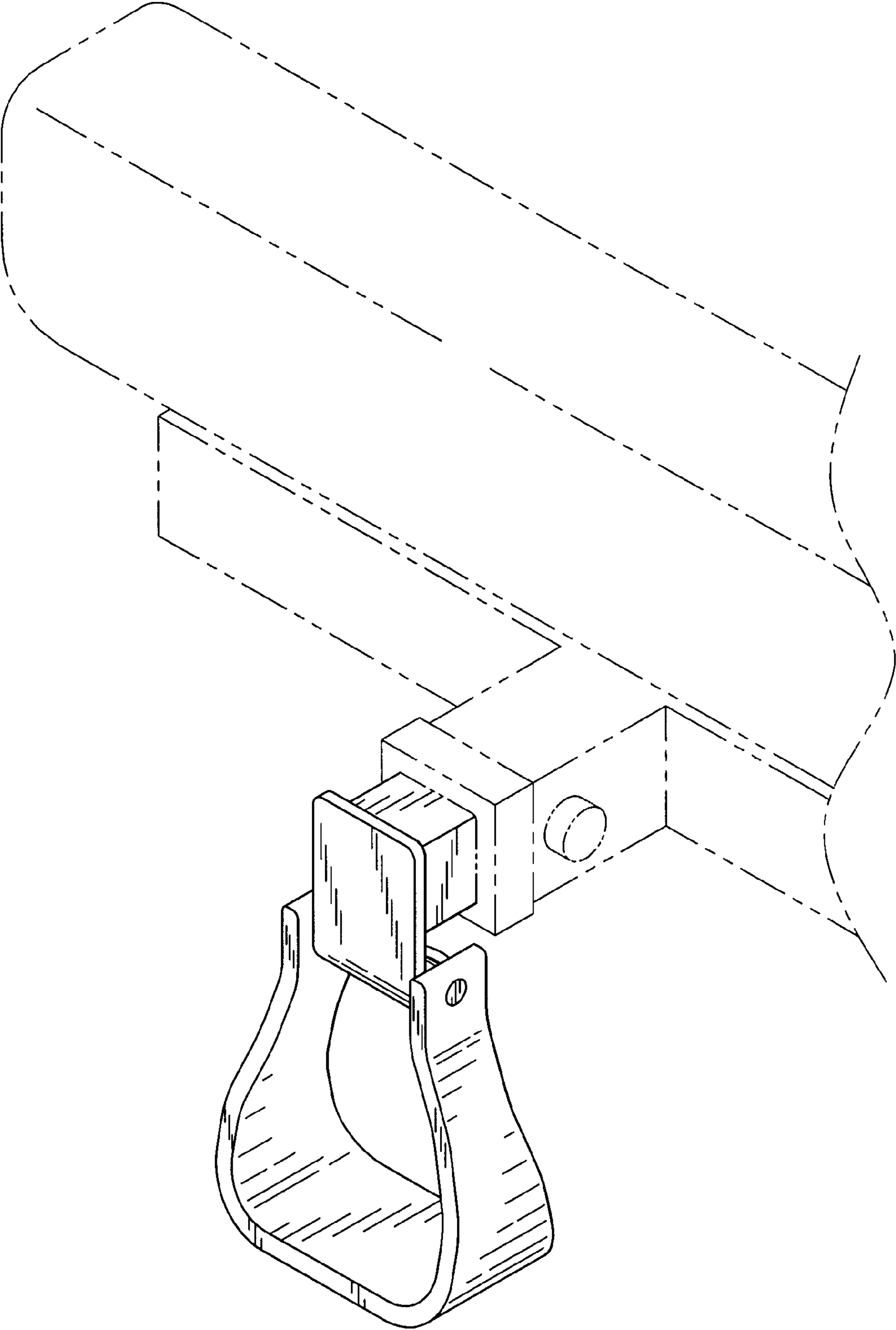


FIG. 1

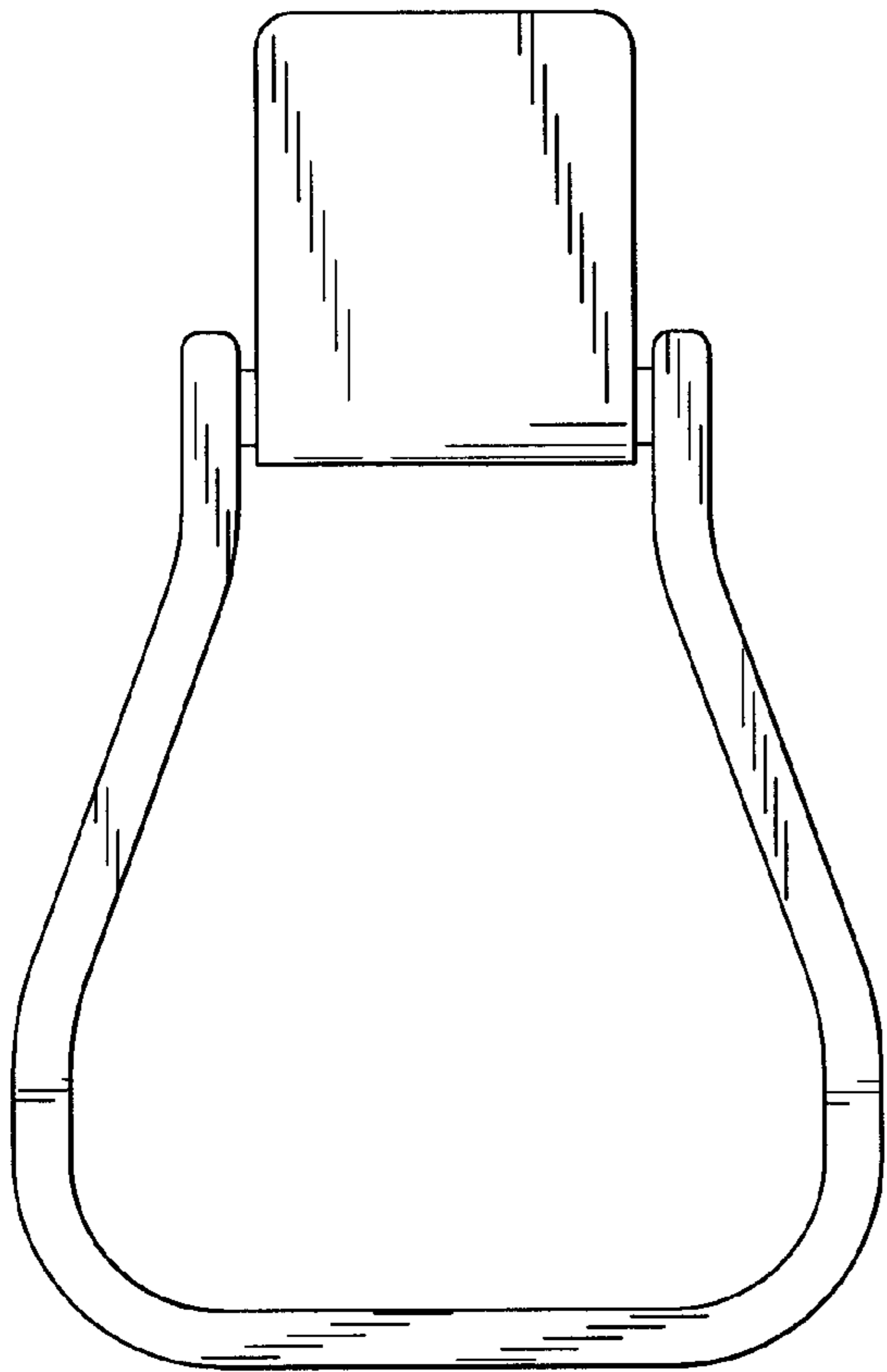


FIG. 2

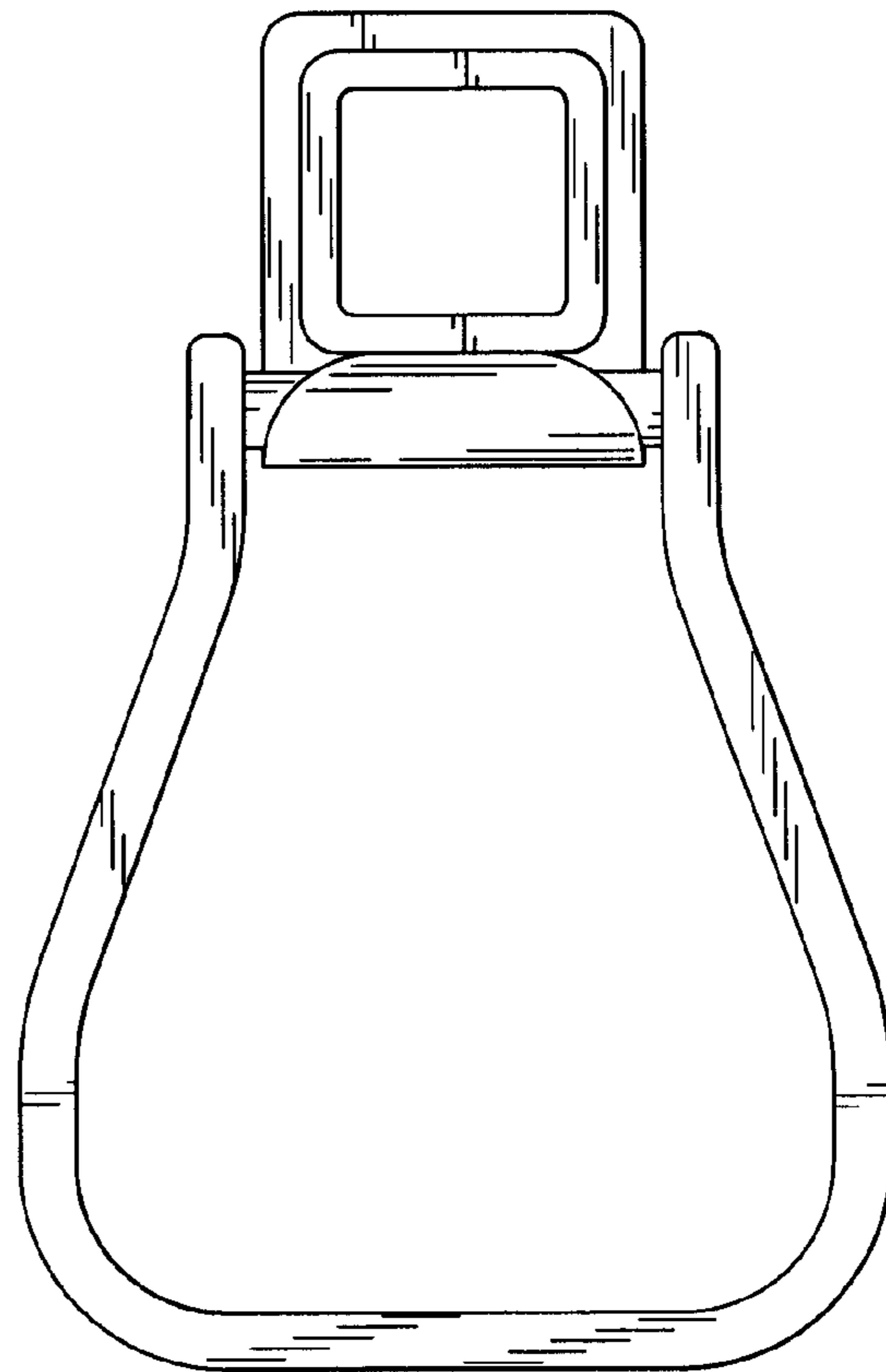


FIG. 3

