



US00D602411S

(12) **United States Design Patent**
Nagase et al.

(10) **Patent No.:** **US D602,411 S**

(45) **Date of Patent:** **** Oct. 20, 2009**

(54) **POWER STEERING ACTUATOR**

(75) Inventors: **Shigeki Nagase**, Osaka (JP); **Ken Matsubara**, Osaka (JP); **Nobuhiro Uchida**, Osaka (JP); **Naotake Kanda**, Osaka (JP); **Kunihiro Oka**, Osaka (JP)

(73) Assignee: **JTEKT Corporation**, Osaka (JP)

(**) Term: **14 Years**

(21) Appl. No.: **29/309,386**

(22) Filed: **Aug. 6, 2008**

(30) **Foreign Application Priority Data**

Feb. 7, 2008	(JP)	2008-002679
Feb. 7, 2008	(JP)	2008-002681
Mar. 19, 2008	(JP)	2008-006858

(51) **LOC (9) Cl.** **12-16**

(52) **U.S. Cl.** **D12/177**

(58) **Field of Classification Search** D12/177;
D13/118, 122; D15/1-5; 74/7 C, 421 A,
74/606 R; 180/443-434; 310/78, 83, 99,
310/201, 254-271; 318/8-15, 138, 254,
318/432-434, 439

See application file for complete search history.

(56) **References Cited**

U.S. PATENT DOCUMENTS

3,017,945	A *	1/1962	MacDuff	180/439
D527,739	S *	9/2006	De Luca et al.	D15/5
D558,107	S *	12/2007	Horner et al.	D12/180
2006/0052201	A1 *	3/2006	Augustine et al.	475/19

* cited by examiner

Primary Examiner—Sandra Snapp
Assistant Examiner—Patricia Palasik
(74) *Attorney, Agent, or Firm*—Rabin & Berdo, PC

(57) **CLAIM**

The ornamental design for a power steering actuator, as shown and described.

DESCRIPTION

FIG. 1 is a perspective view of a first embodiment of a power steering actuator showing our new design;

FIG. 2 is a top plan view of the first embodiment;

FIG. 3 is a front elevation view of the first embodiment;

FIG. 4 is a right side view of the first embodiment;

FIG. 5 is a bottom plan view of the first embodiment;

FIG. 6 is a rear elevation view of the first embodiment;

FIG. 7 is a left side view of the first embodiment;

FIG. 8 is a perspective view of a second embodiment of a power steering actuator showing our new design;

FIG. 9 is a top plan view of the second embodiment;

FIG. 10 is a front elevation view of the second embodiment;

FIG. 11 is a right side view of the second embodiment;

FIG. 12 is a bottom plan view of the second embodiment;

FIG. 13 is a rear elevation view of the second embodiment; and,

FIG. 14 is a left side view of the second embodiment.

The broken lines shown in the figures are for illustrative purposes only and form no part of the claimed design.

1 Claim, 14 Drawing Sheets

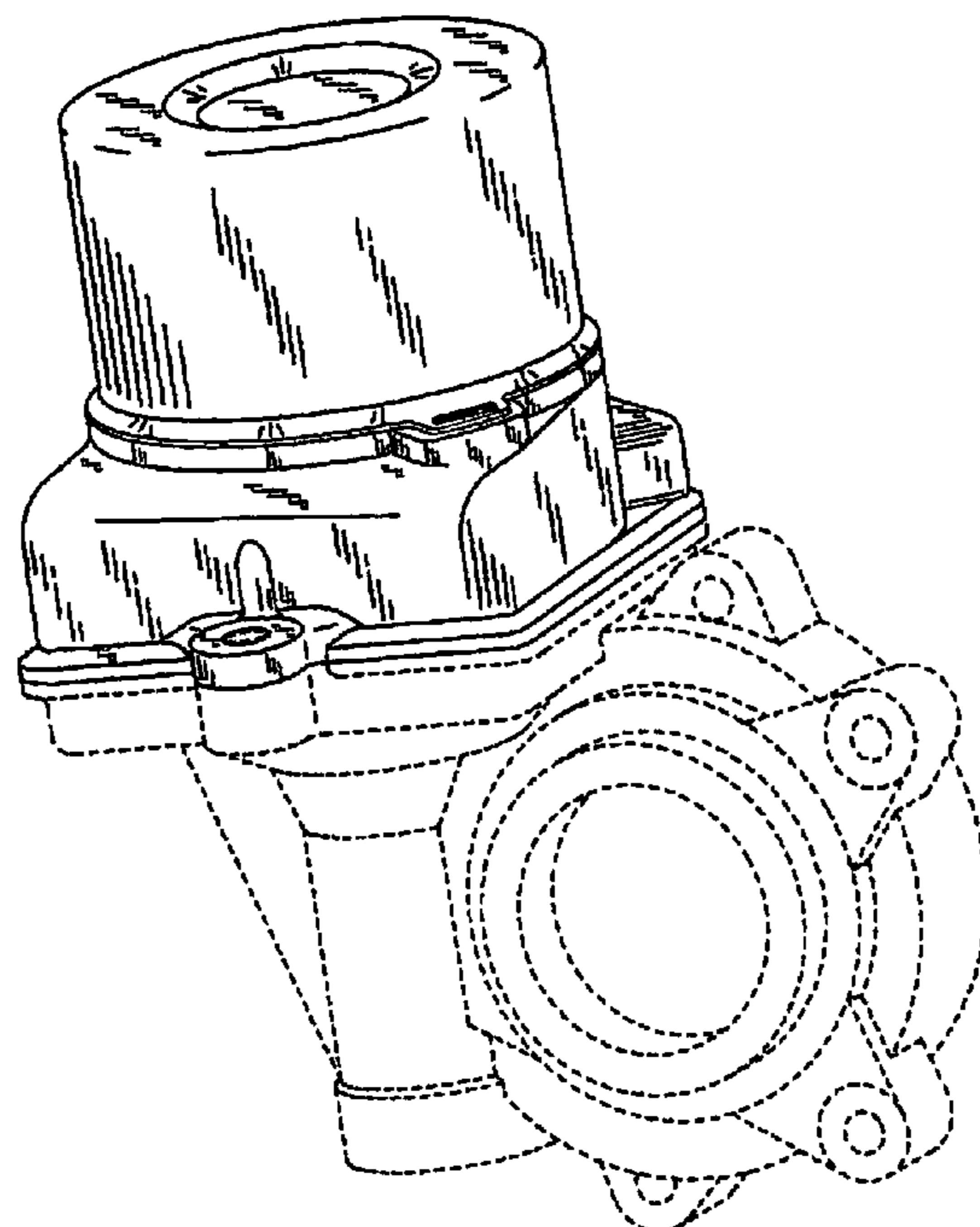


FIG. 1

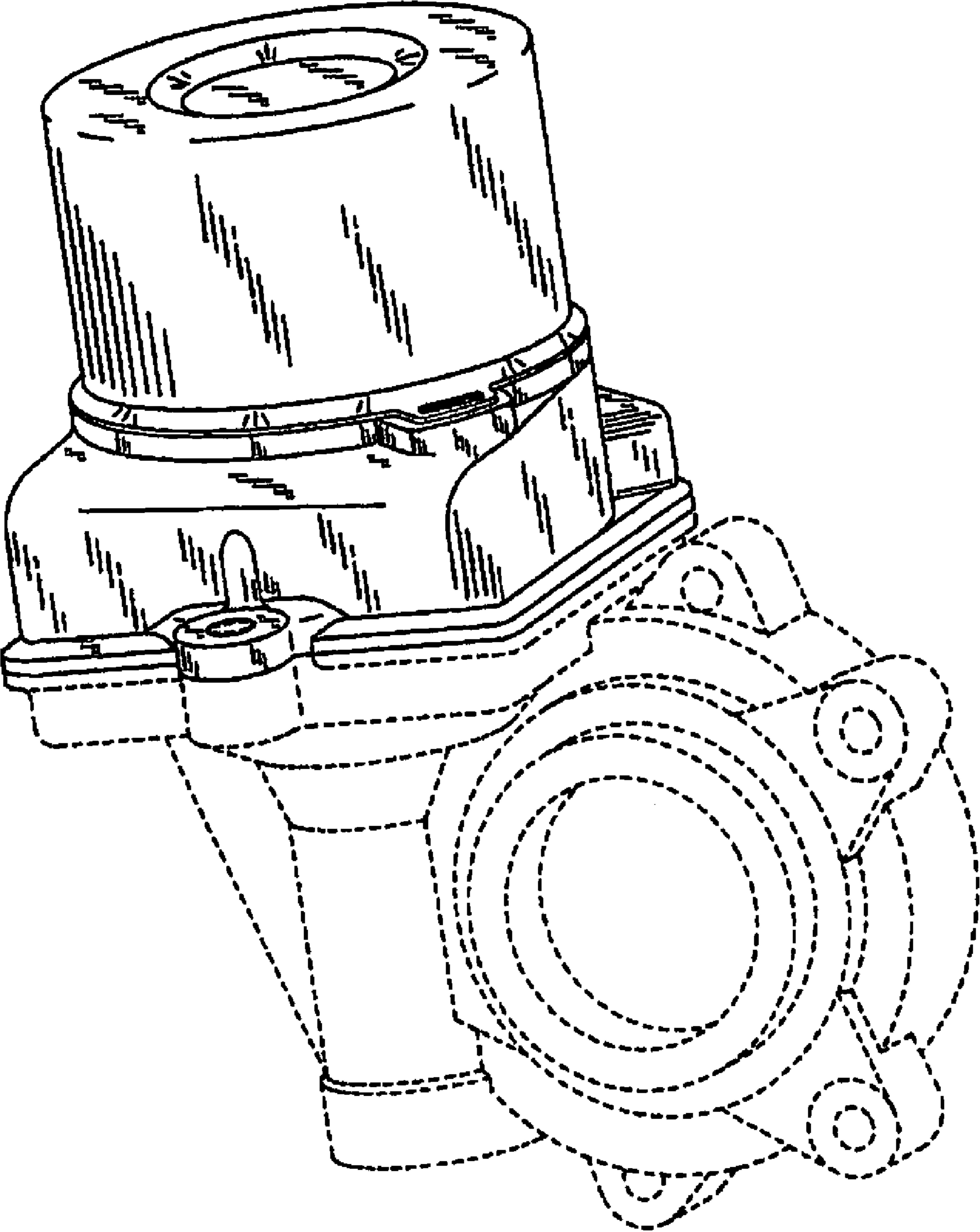


FIG. 2

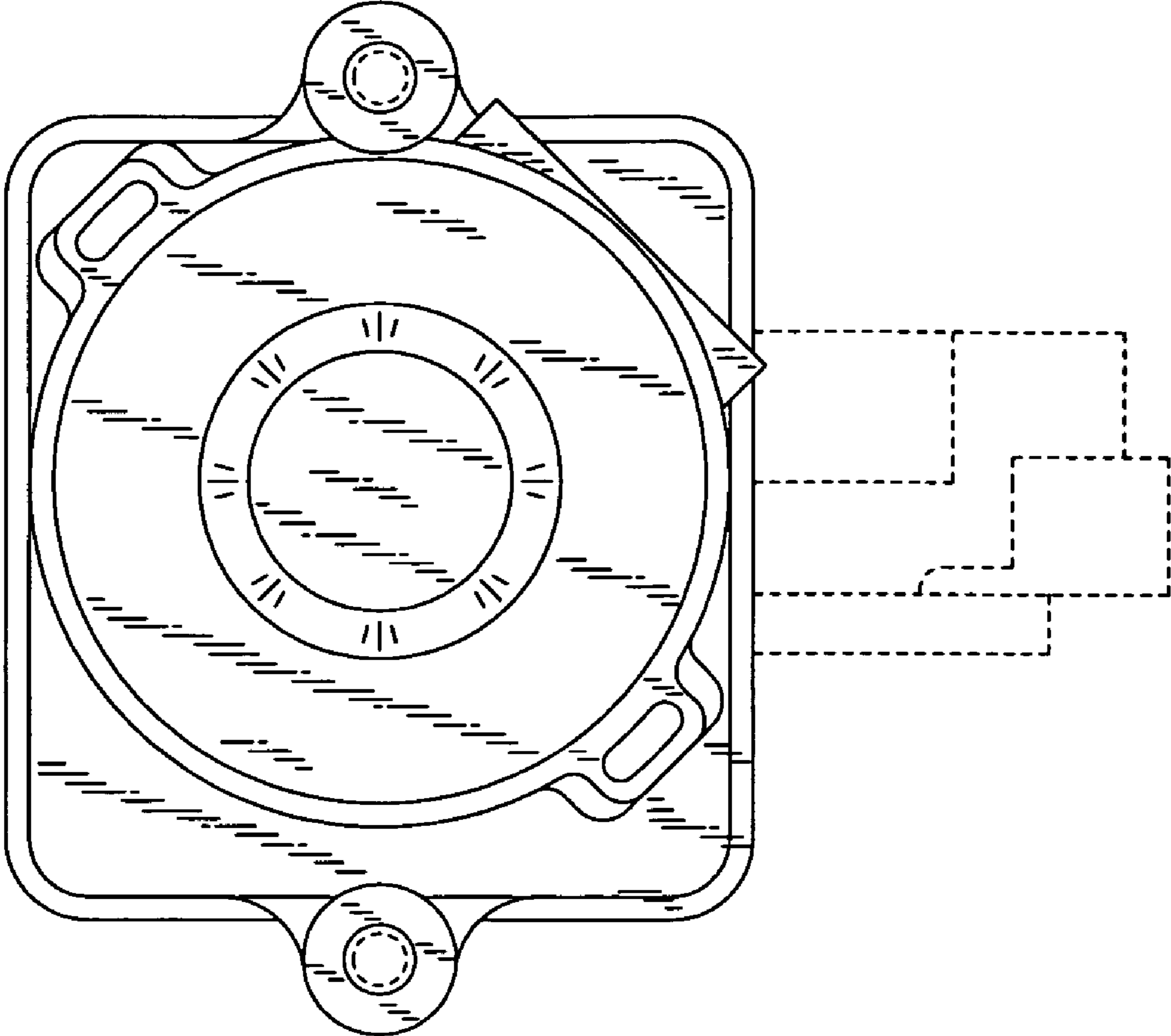


FIG. 3

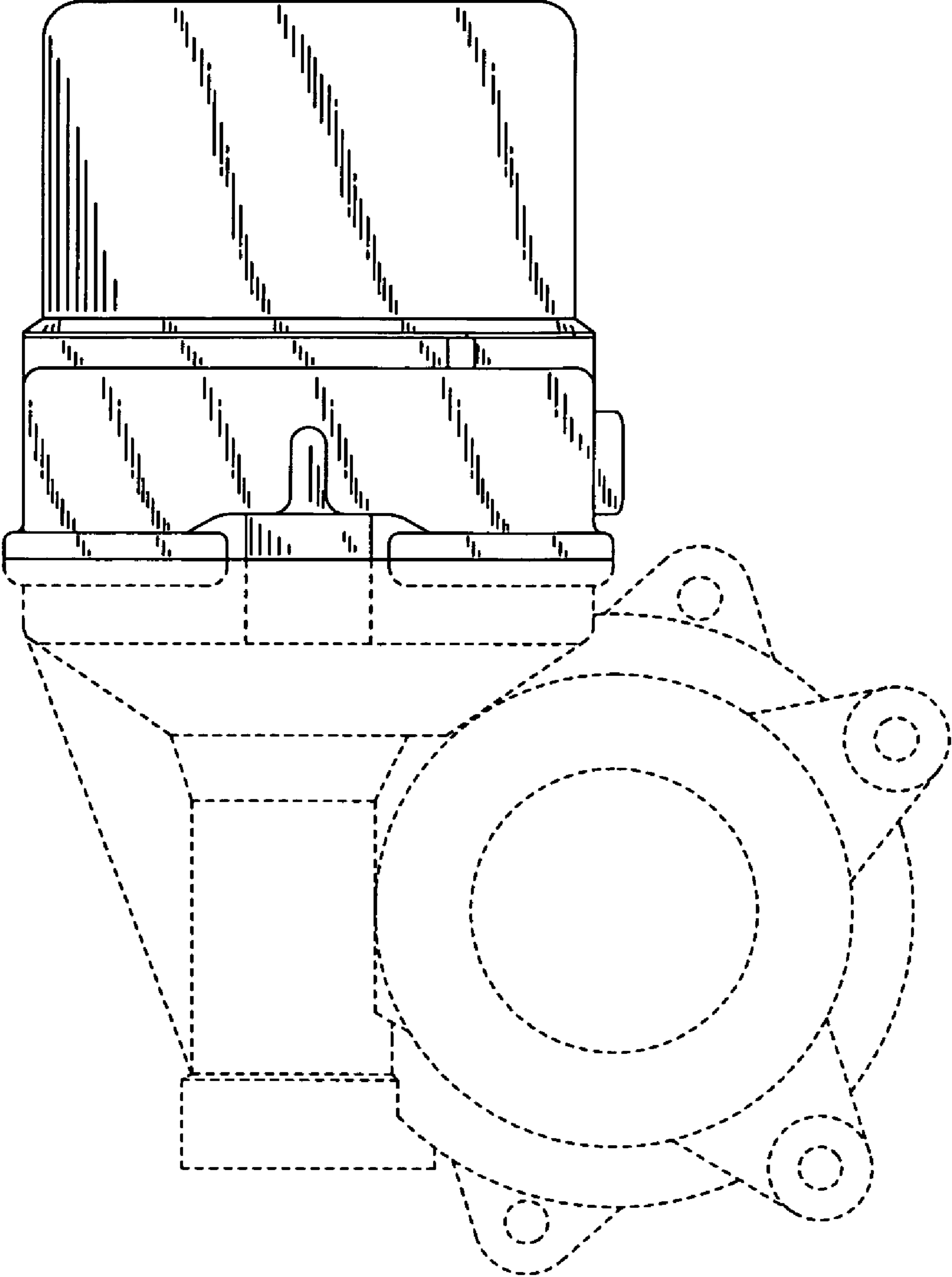


FIG. 4

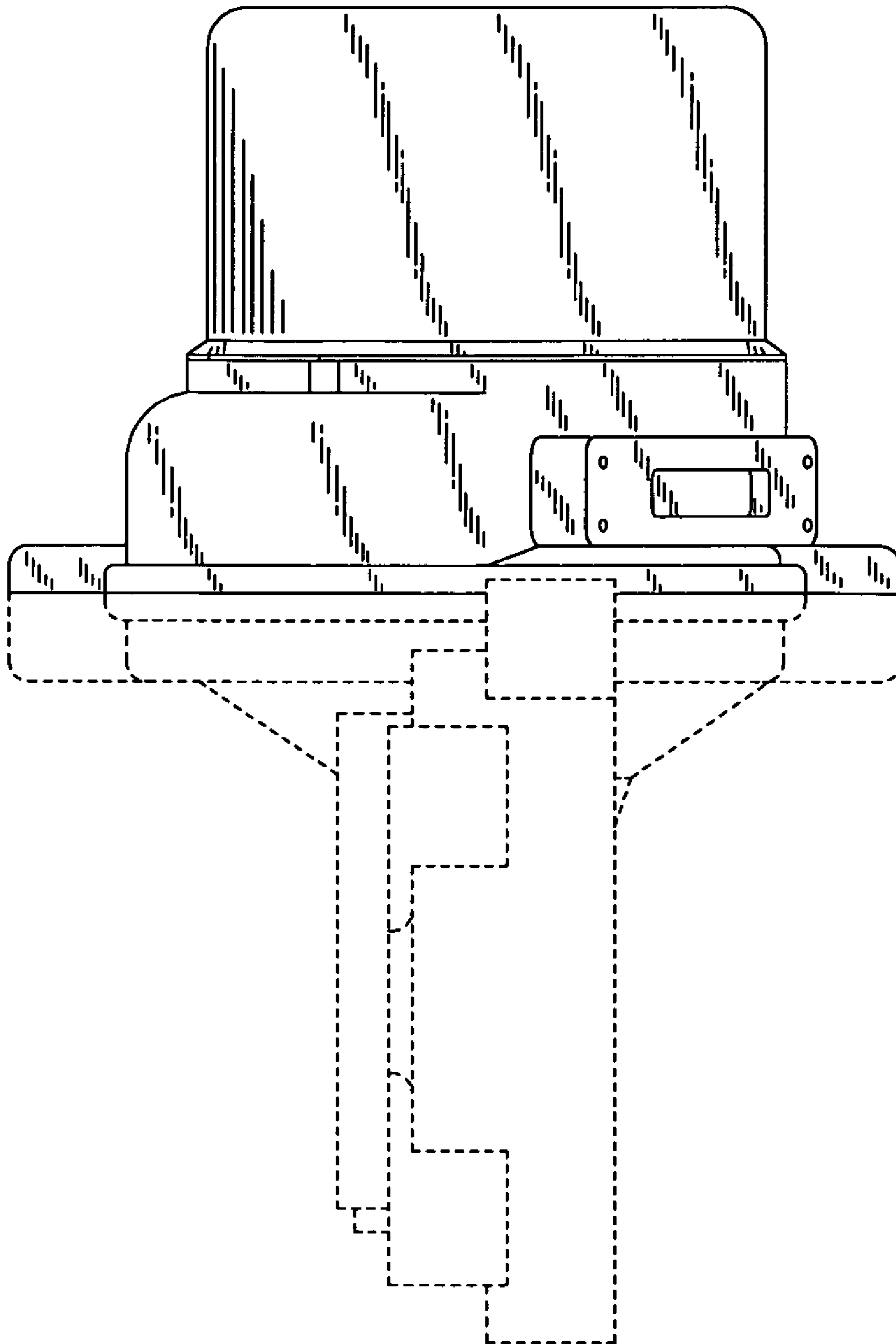


FIG. 5

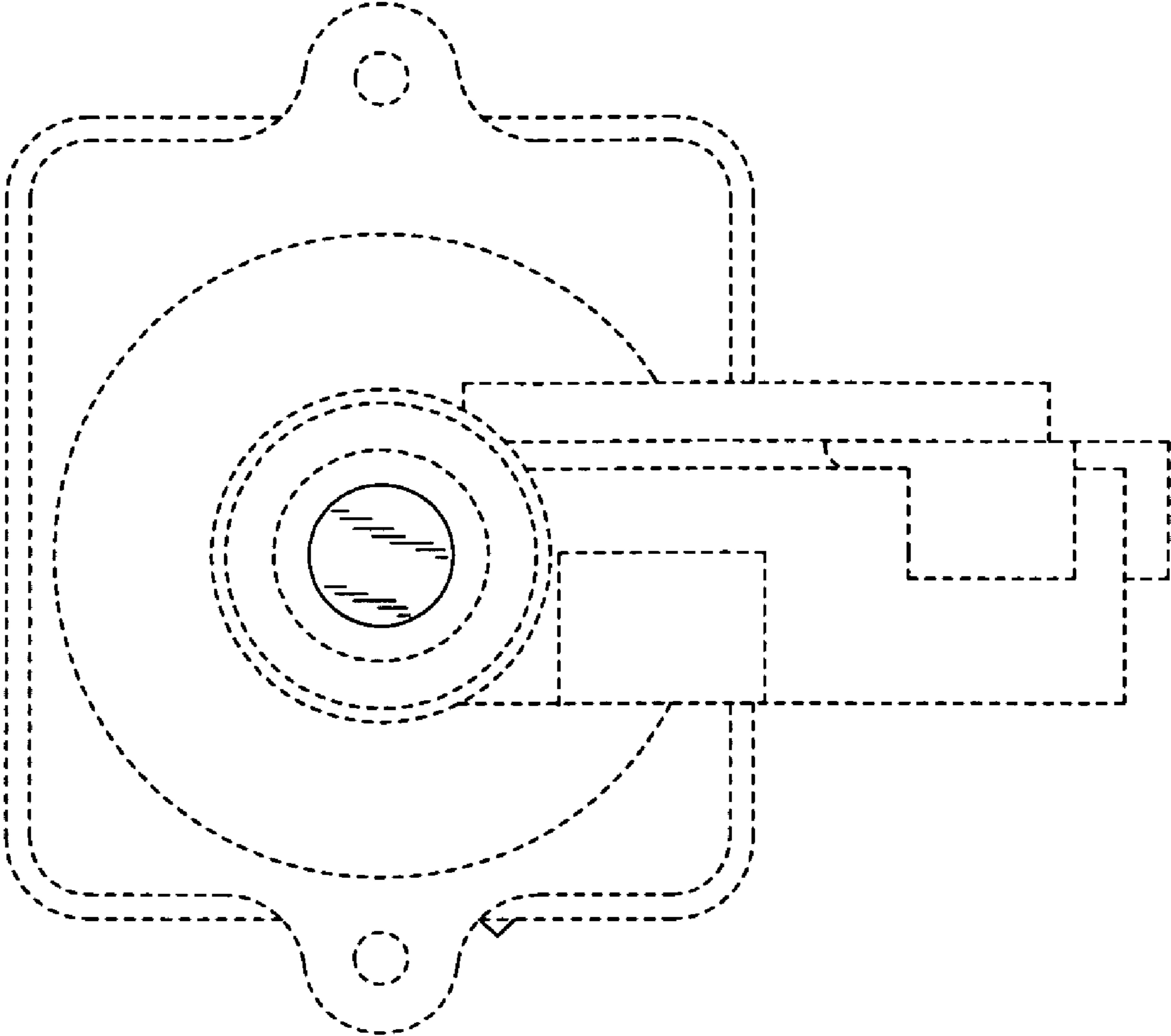


FIG. 6

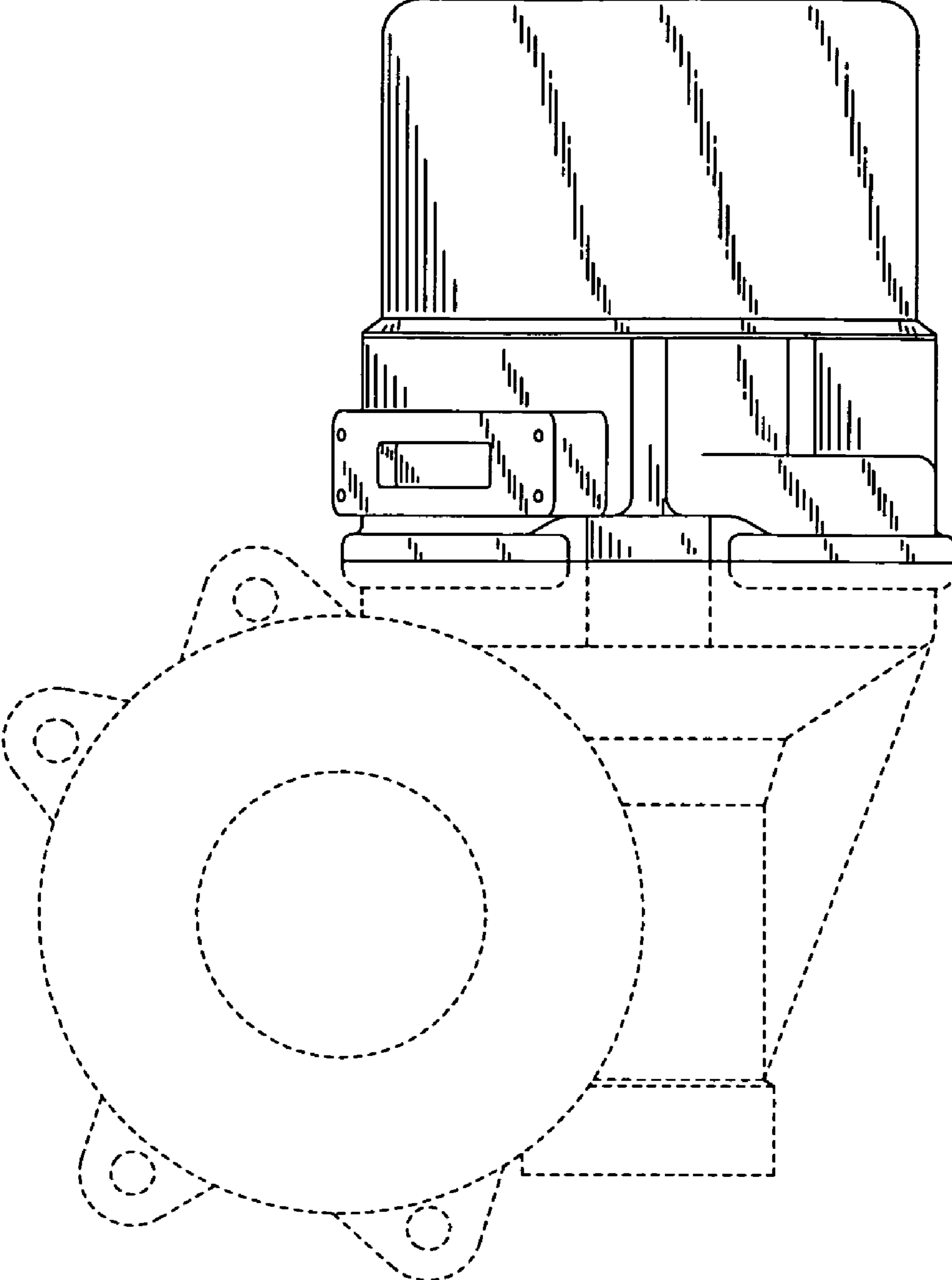


FIG. 7

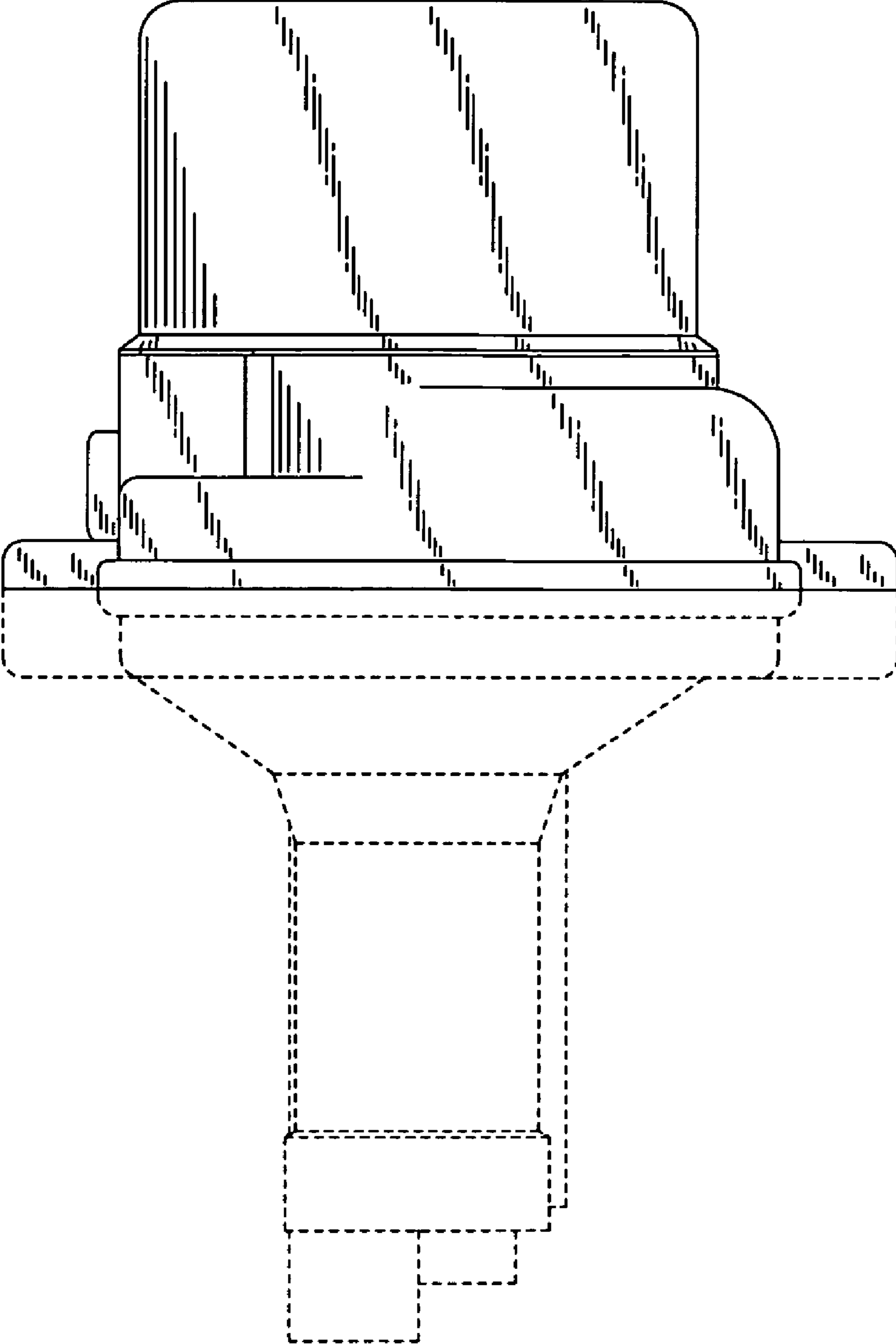


FIG. 8

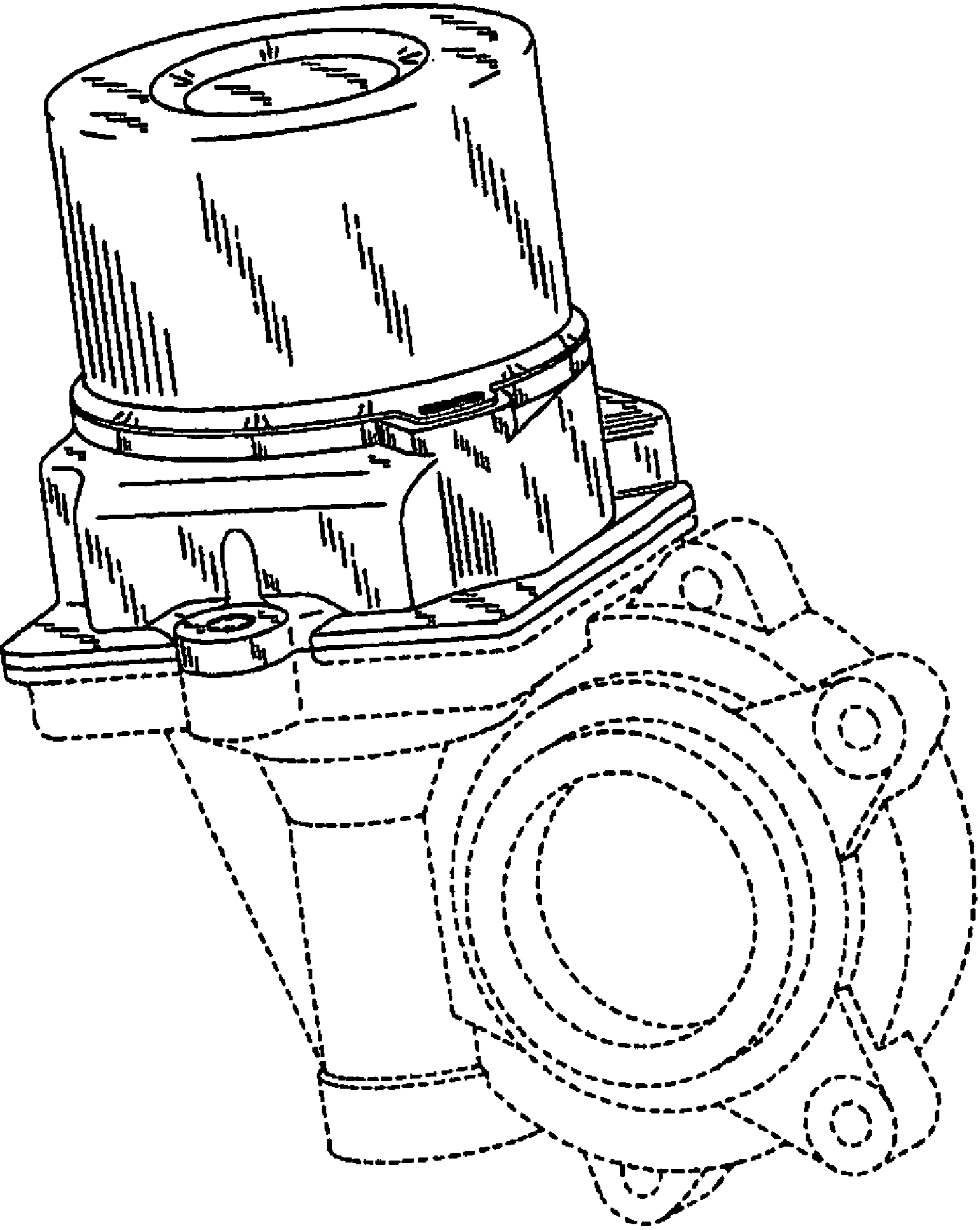


FIG. 9

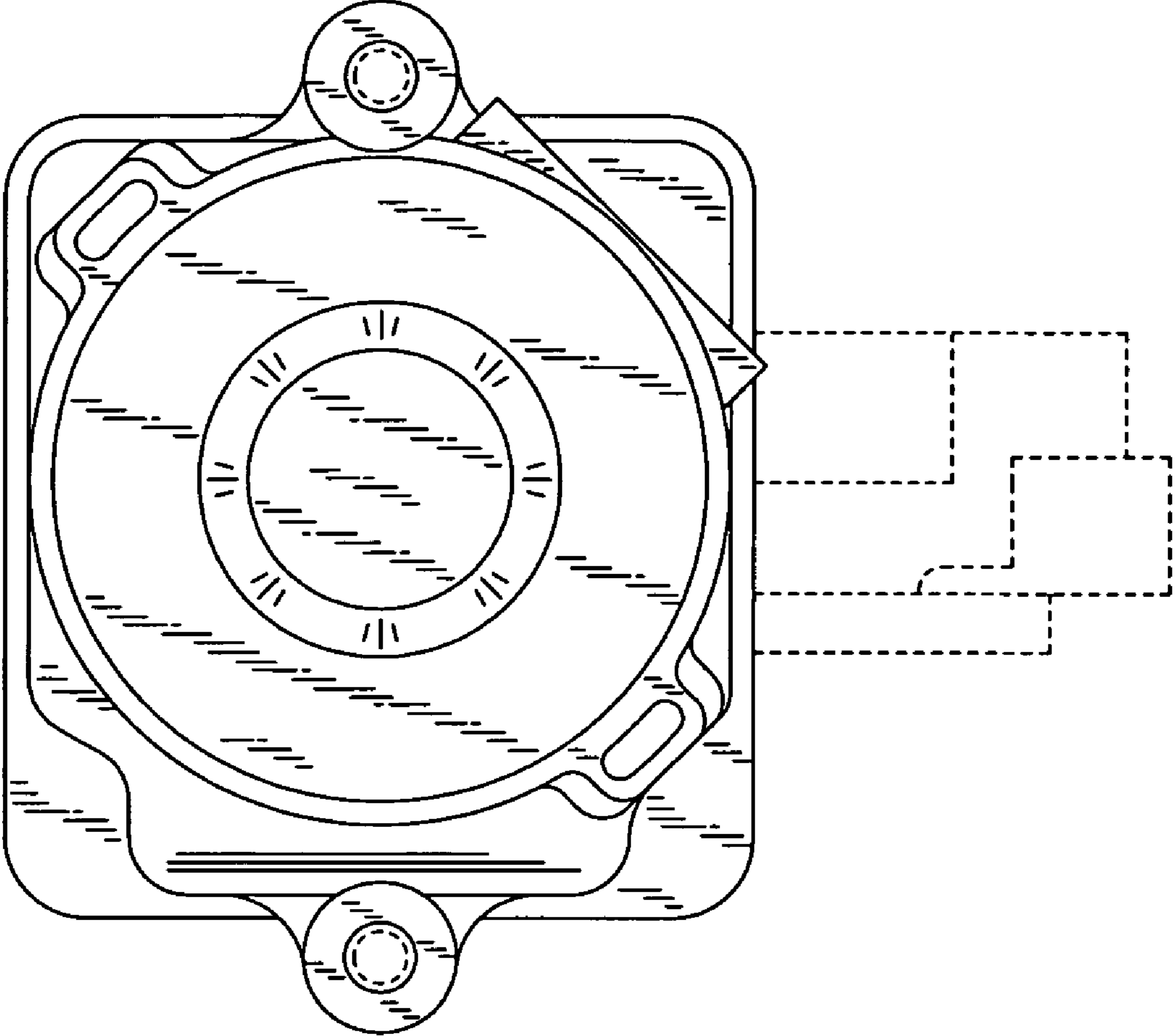


FIG. 10

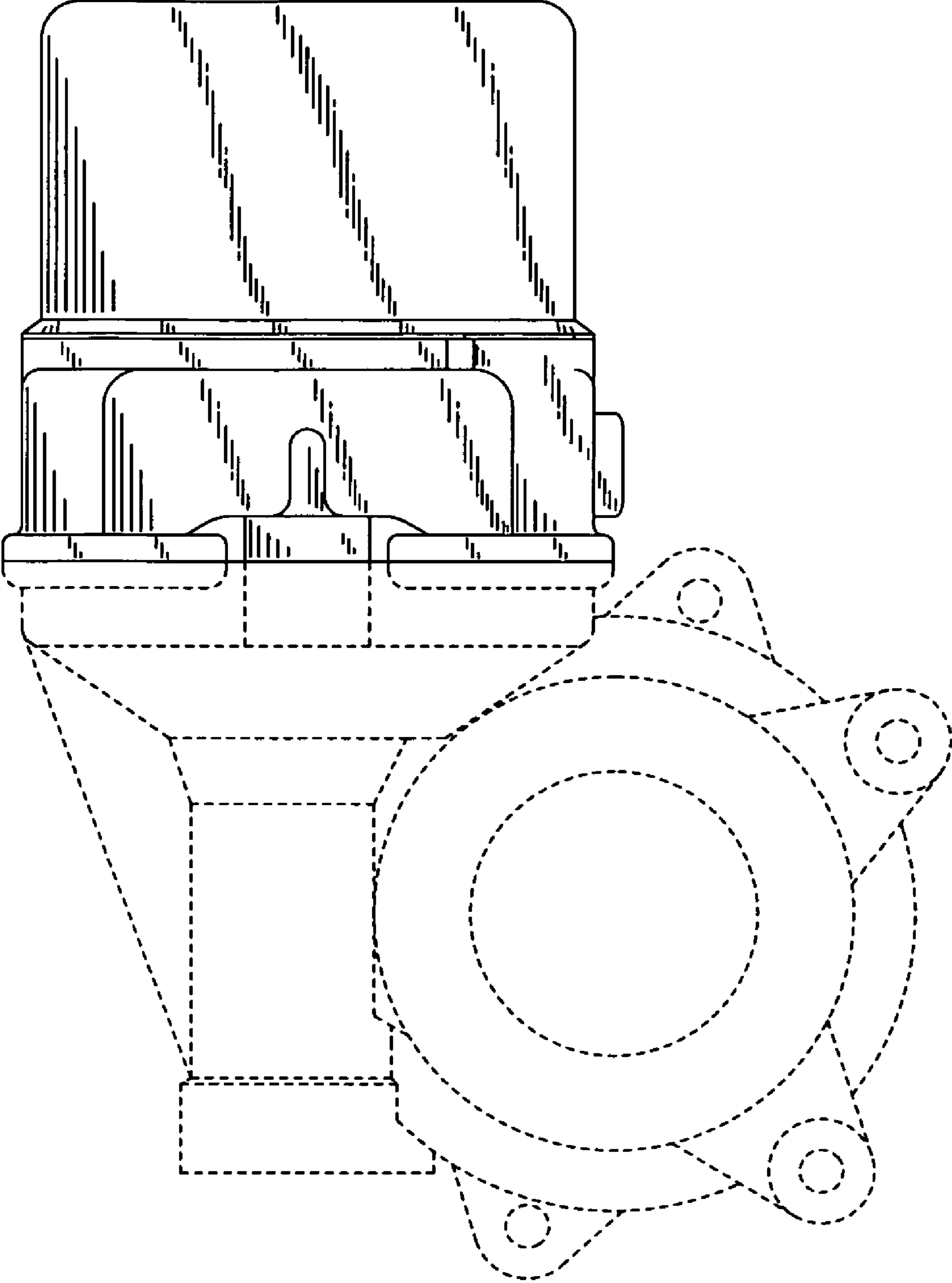


FIG. 11

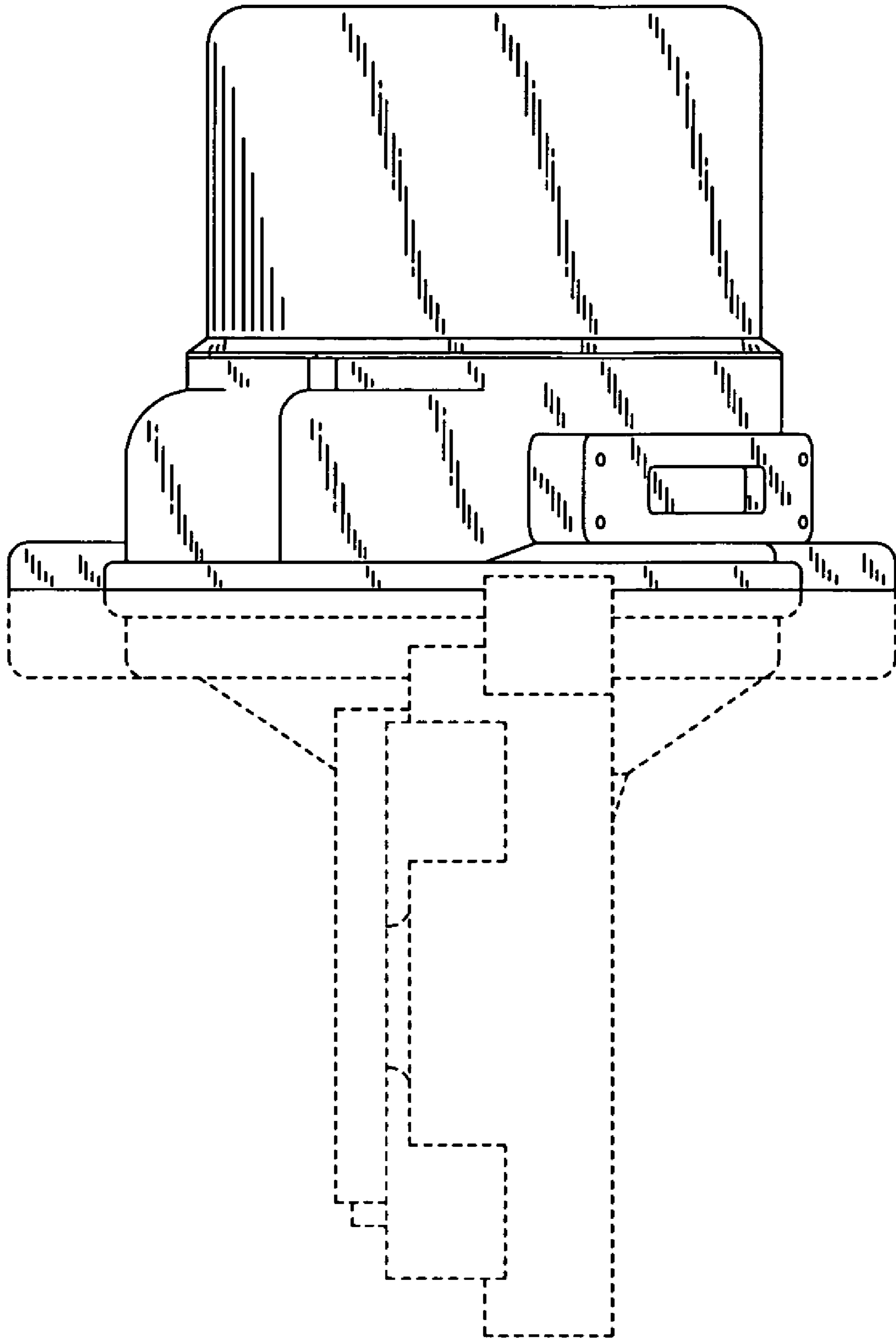


FIG. 12

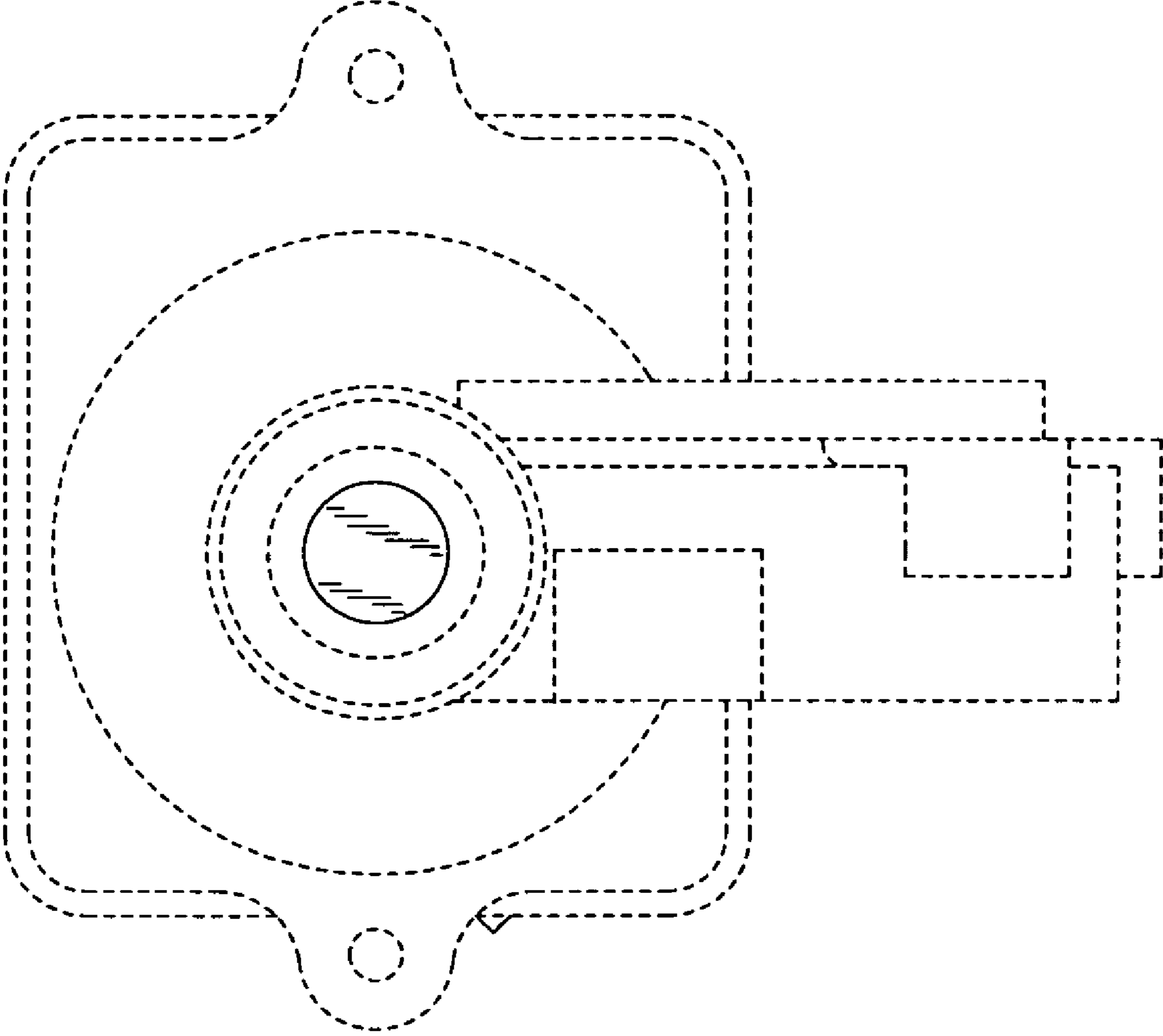


FIG. 13

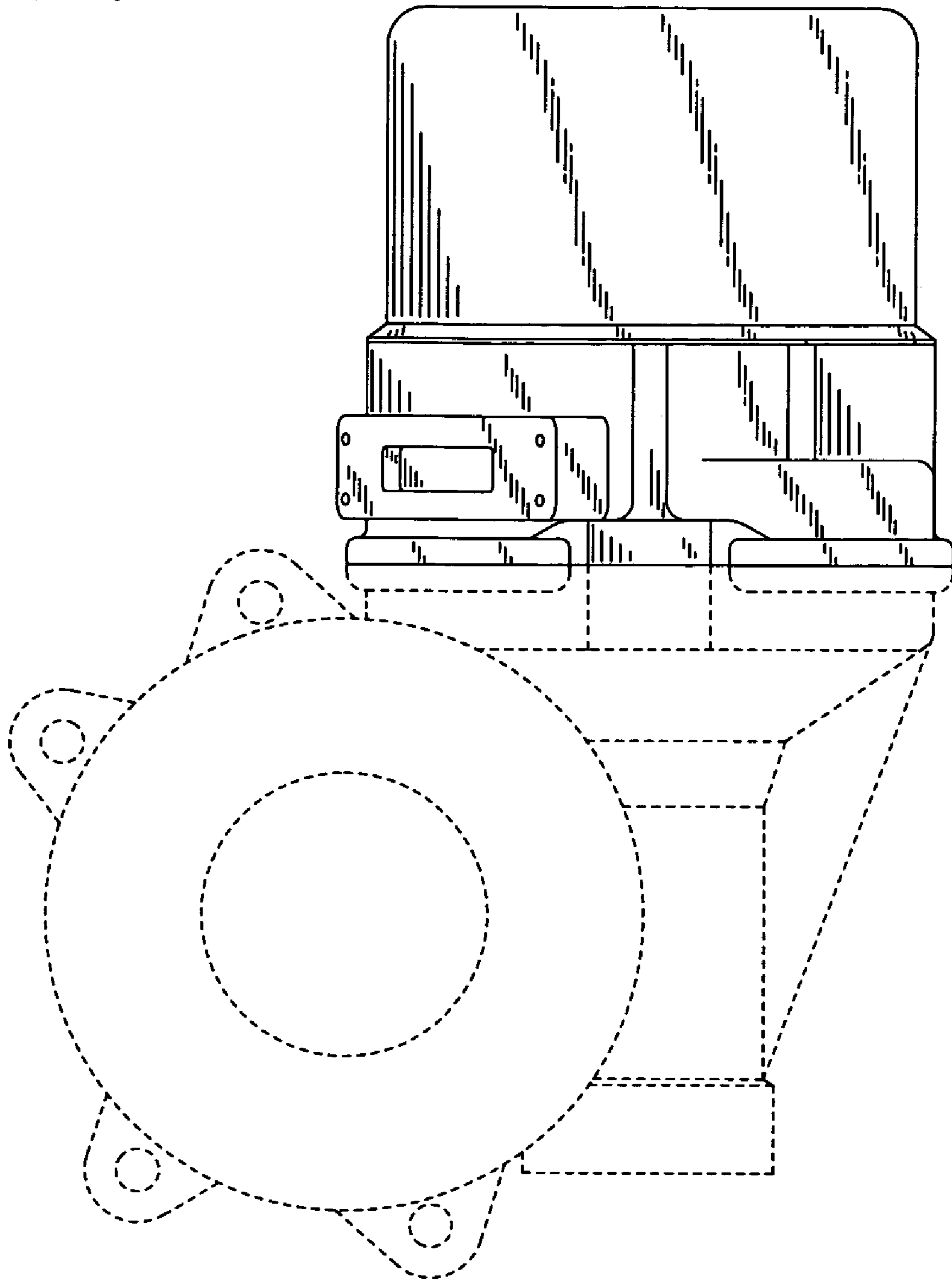


FIG. 14

