



US00D602405S

(12) **United States Design Patent**
Skafdrup et al.

(10) **Patent No.:** **US D602,405 S**

(45) **Date of Patent:** **** Oct. 20, 2009**

(54) **WHEEL CHAIR**

(75) Inventors: **Simon Skafdrup**, Aarhus C (DK); **Ole Madsbøll**, Brabrand (DK)

(73) Assignee: **R82 A/S**, Gedved (DK)

(**) Term: **14 Years**

(21) Appl. No.: **29/309,746**

(22) Filed: **Oct. 1, 2008**

(30) **Foreign Application Priority Data**

Apr. 1, 2008 (EM) 000907050-0001

(51) **LOC (9) Cl.** **12-12**

(52) **U.S. Cl.** **D12/131; D12/128**

(58) **Field of Classification Search** D12/128-133;
D21/433; D34/12, 27, 30; 280/62, 647-650,
280/29, 200, 47.38, 250.1, 259, 642, 658;
296/65.03, 65.04; 297/DIG. 4; 135/65-67,
135/74

See application file for complete search history.

(56) **References Cited**

U.S. PATENT DOCUMENTS

3,664,450 A * 5/1972 Udden et al. 180/65.1

D359,016 S * 6/1995 Johansson D12/133
5,782,483 A * 7/1998 Rogers et al. 280/642
6,312,000 B1 * 11/2001 Pauls et al. 280/250.1
D491,494 S * 6/2004 Lippert D12/128

* cited by examiner

Primary Examiner—Charles A Rademaker

Assistant Examiner—Charles D Hanson

(74) *Attorney, Agent, or Firm*—Dykema Gossett PLLC

(57) **CLAIM**

The ornamental design for wheel chair, as shown and described.

DESCRIPTION

FIG. 1 is a side view of a wheel chair according to our new design,

FIG. 2 is a top view thereof,

FIG. 3 is a rear view thereof,

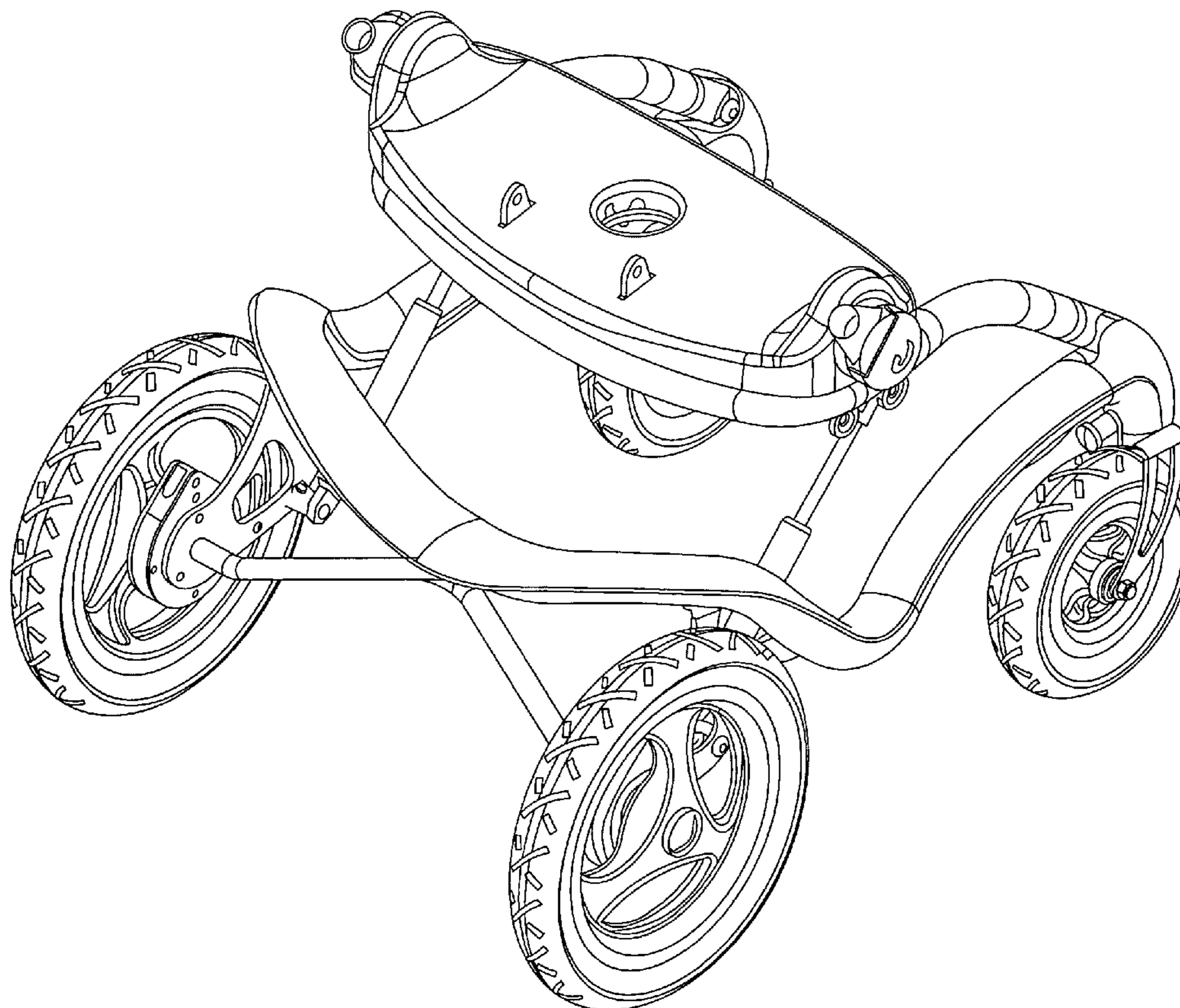
FIG. 4 is a bottom view thereof,

FIG. 5 is a front view thereof,

FIG. 6 is a rear perspective view thereof; and,

FIG. 7 is a front perspective view thereof.

1 Claim, 7 Drawing Sheets



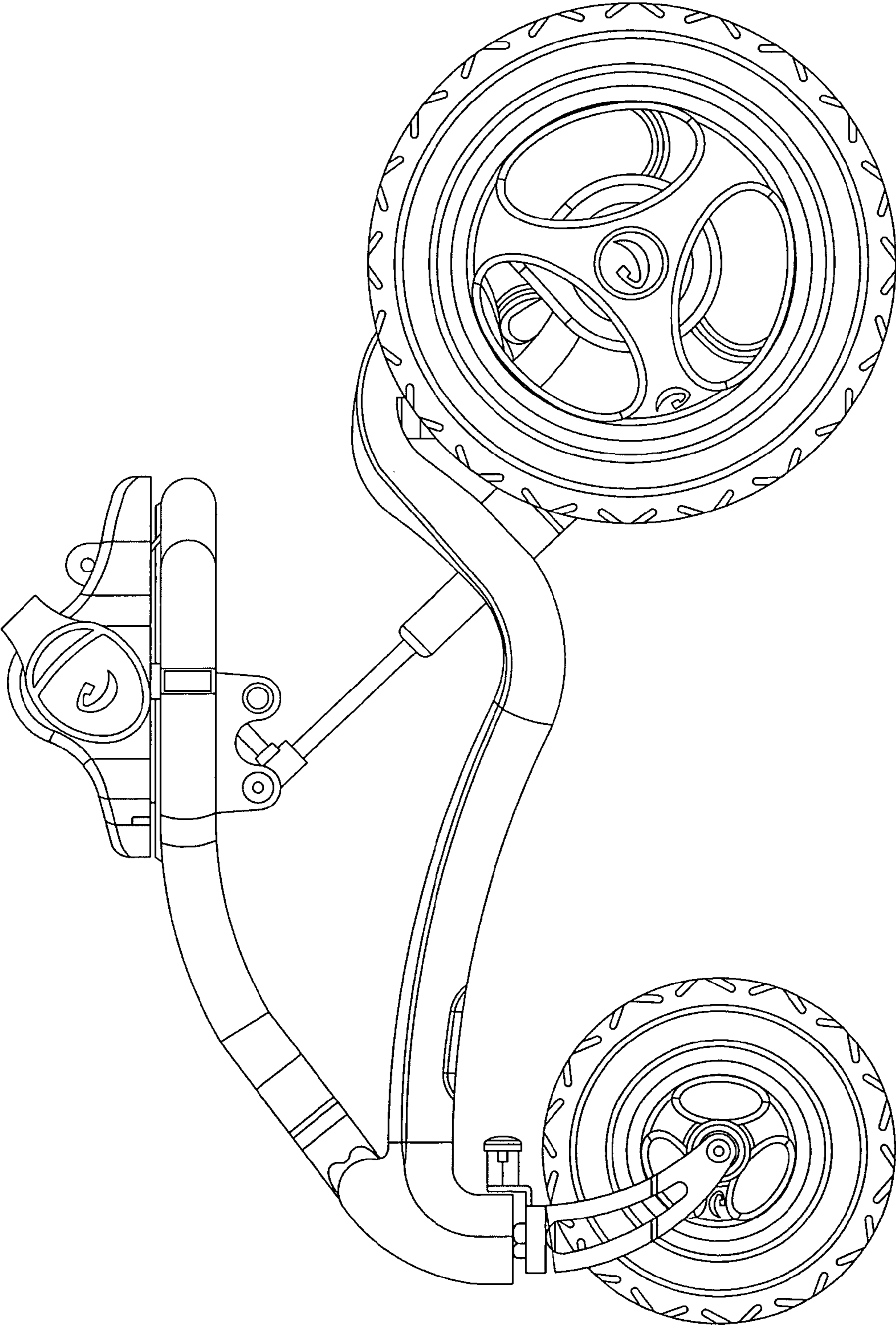


FIG. 1

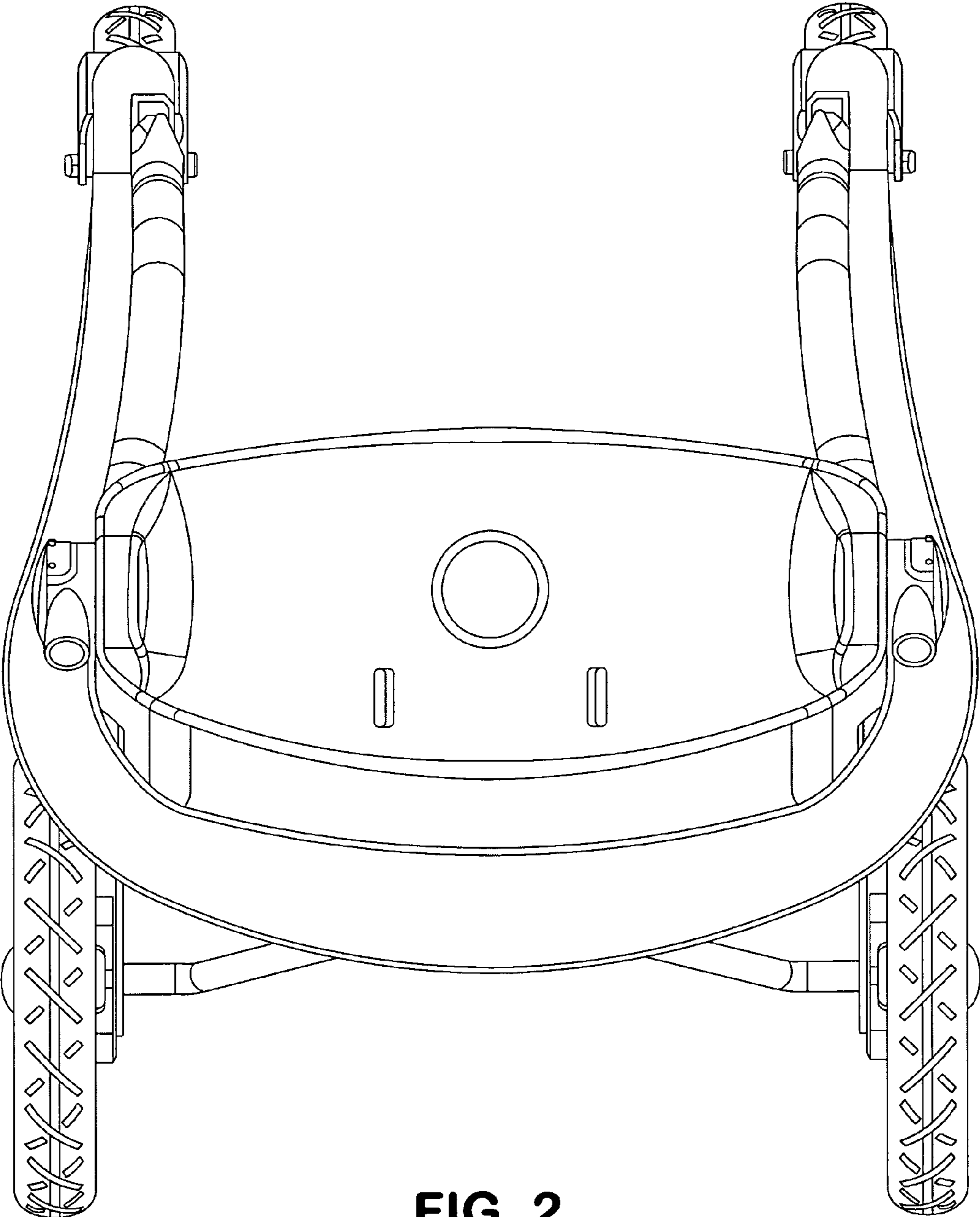


FIG. 2

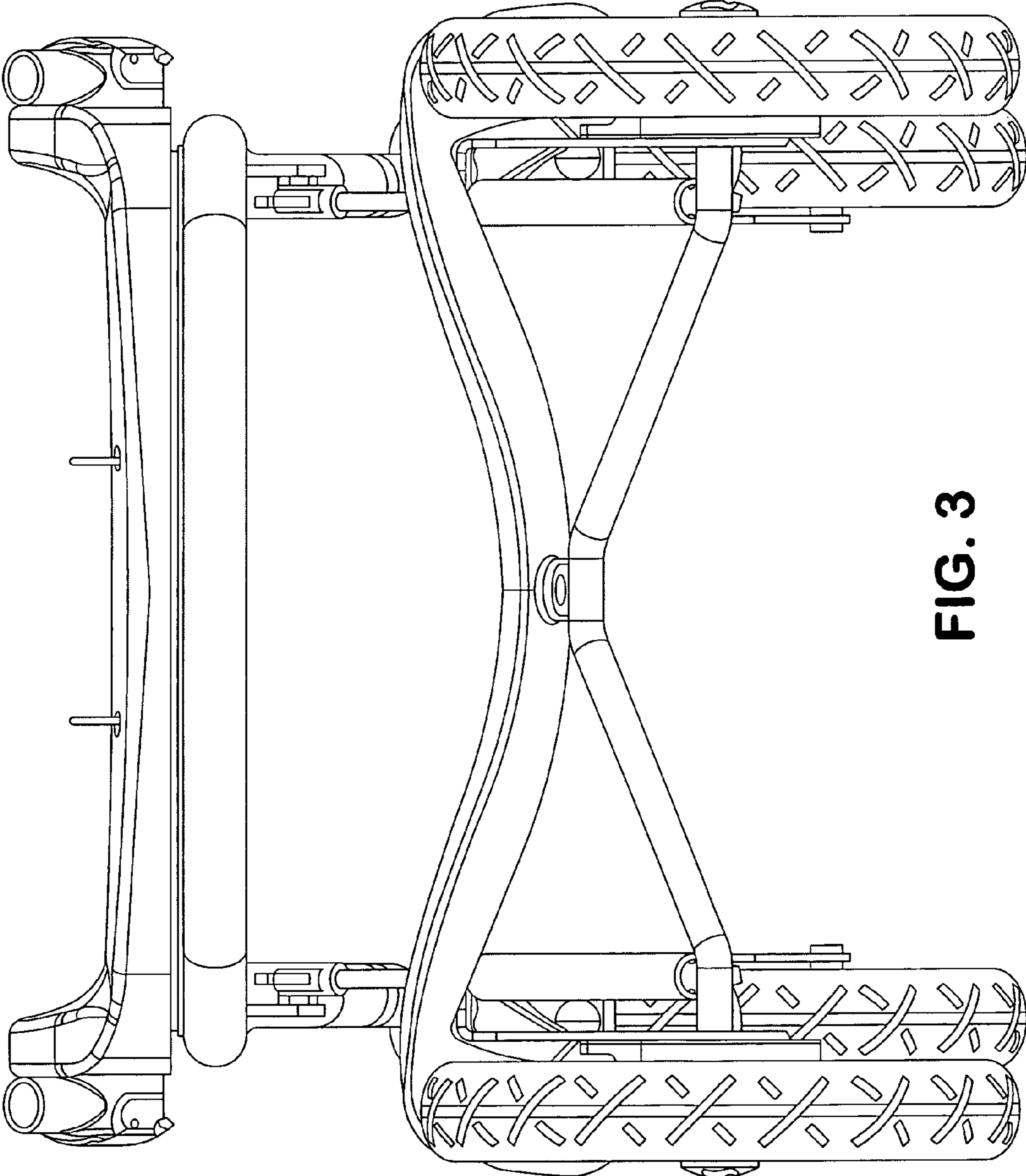


FIG. 3

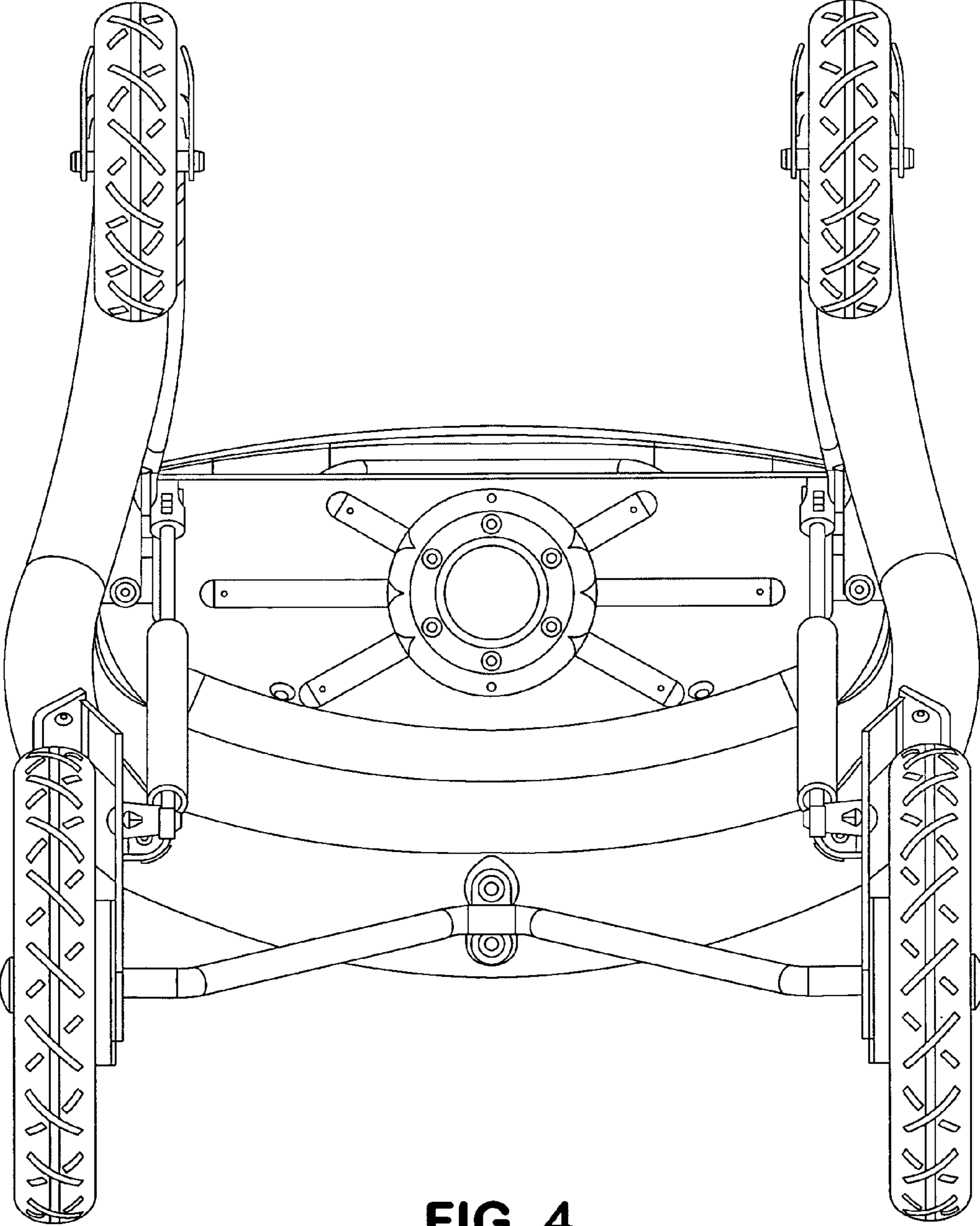


FIG. 4

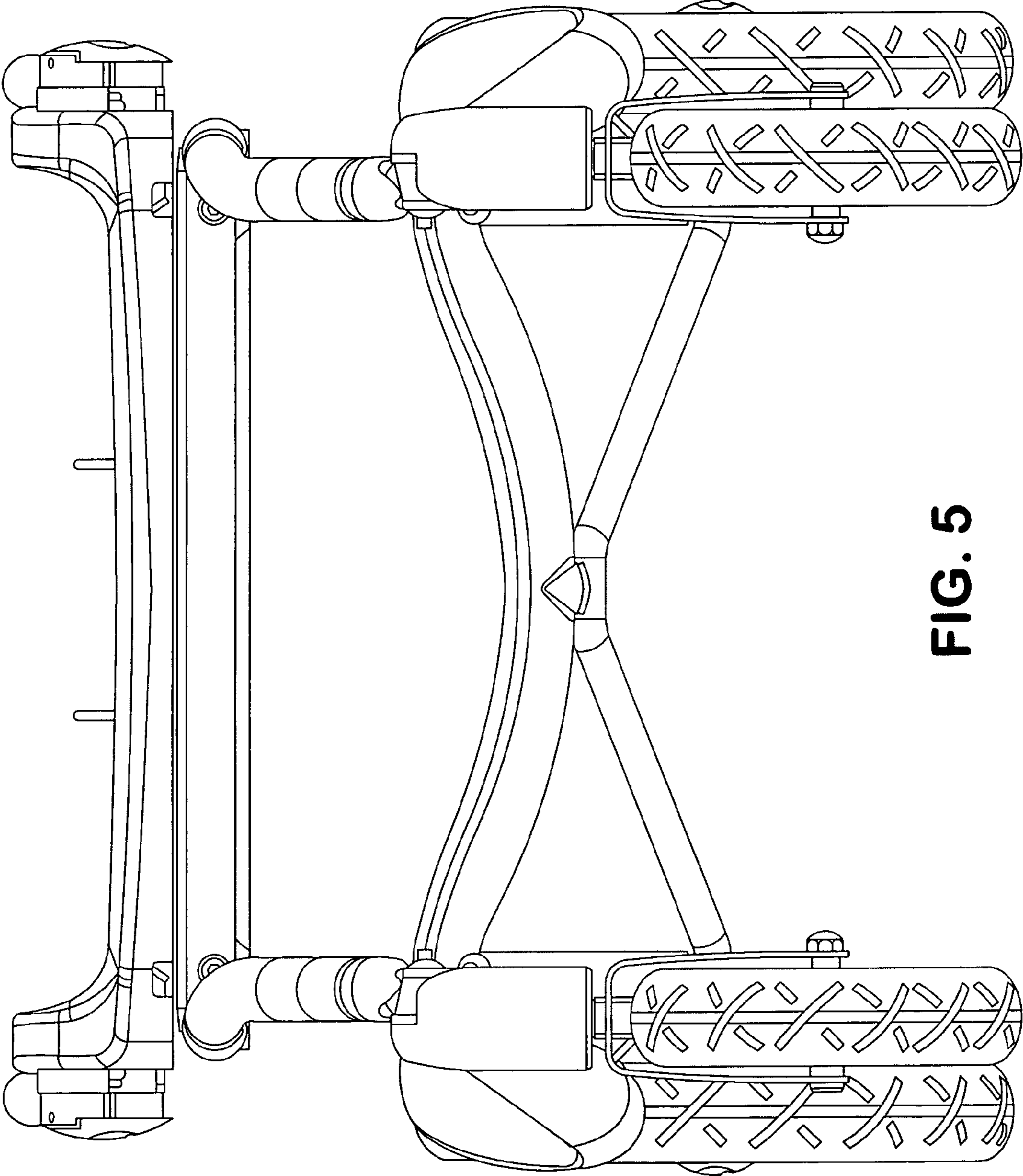


FIG. 5

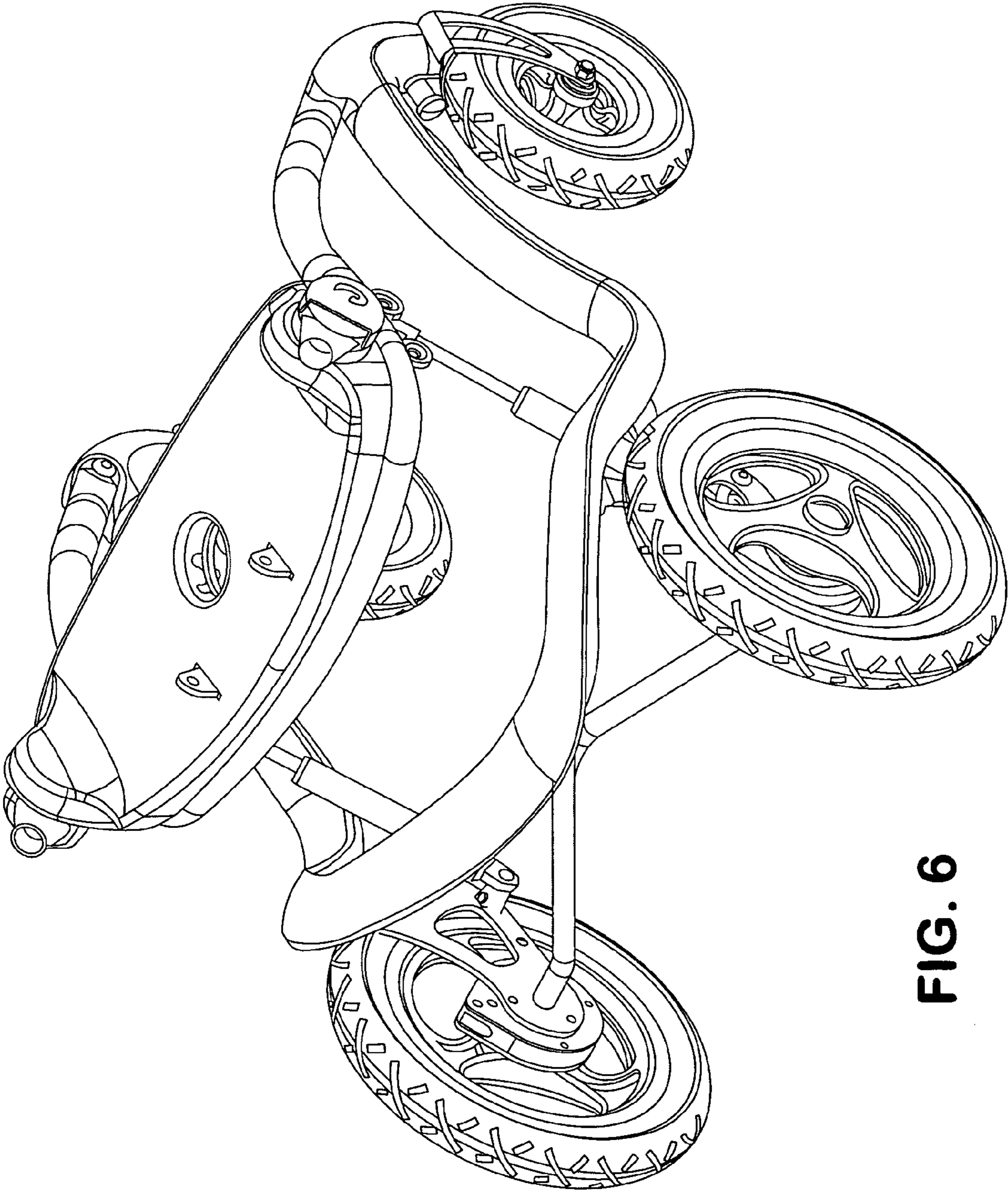


FIG. 6

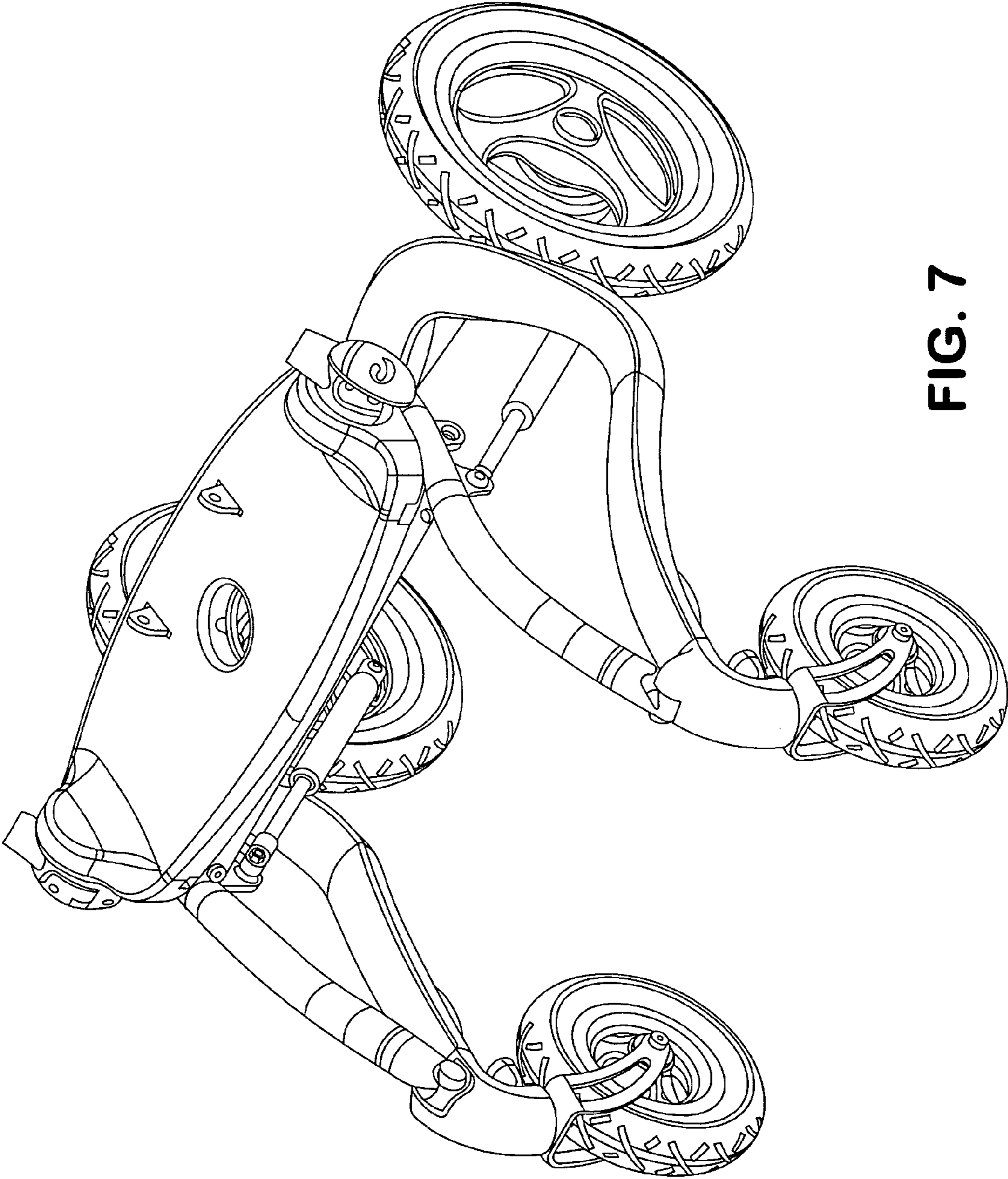


FIG. 7