



US00D602404S

(12) **United States Design Patent**  
**Cusack et al.**

(10) **Patent No.:** **US D602,404 S**  
(45) **Date of Patent:** **\*\* Oct. 20, 2009**

(54) **WHEELCHAIR**

D418,779 S \* 1/2000 Greaves et al. .... D12/128

(75) Inventors: **Karman D Cusack**, 25967 Conifer Rd.,  
Conifer, CO (US) 80433; **Karl J.**  
**Wheeler**, Mounds View, MN (US); **John**  
**Jancsek**, Mounds View, MN (US)

\* cited by examiner

*Primary Examiner*—Charles A Rademaker  
*Assistant Examiner*—Charles D Hanson  
(74) *Attorney, Agent, or Firm*—Roger Belfay

(73) Assignee: **Karman D Cusack**, Couifer, CO (US)

(57) **CLAIM**

(\*\*) Term: **14 Years**

The ornamental design for a wheel chair, as shown and described herein.

(21) Appl. No.: **29/324,585**

(22) Filed: **Sep. 16, 2008**

**DESCRIPTION**

(51) **LOC (9) Cl.** ..... **12-12**

FIG. 1 is a perspective view of the wheelchair.

(52) **U.S. Cl.** ..... **D12/128; D12/131**

FIG. 2 is a top view of the wheelchair

(58) **Field of Classification Search** ..... D12/128–133;  
D21/433; D34/12, 27, 30; 280/62, 647–650,  
280/29, 200, 47.38, 250.1, 259, 642, 658;  
296/65.03, 65.04; 297/DIG. 4; 135/65–67,  
135/74

FIG. 3 is a left side view of the wheelchair

FIG. 4 is a back view of the wheelchair.

FIG. 5 is a right side view of the wheelchair.

FIG. 6 is a front view of the wheelchair.

FIG. 7 is a bottom plan view thereof; and,

FIG. 8 is another perspective view of the wheelchair.

See application file for complete search history.

The broken lines are for illustrative purposes only and form no part of the claimed design.

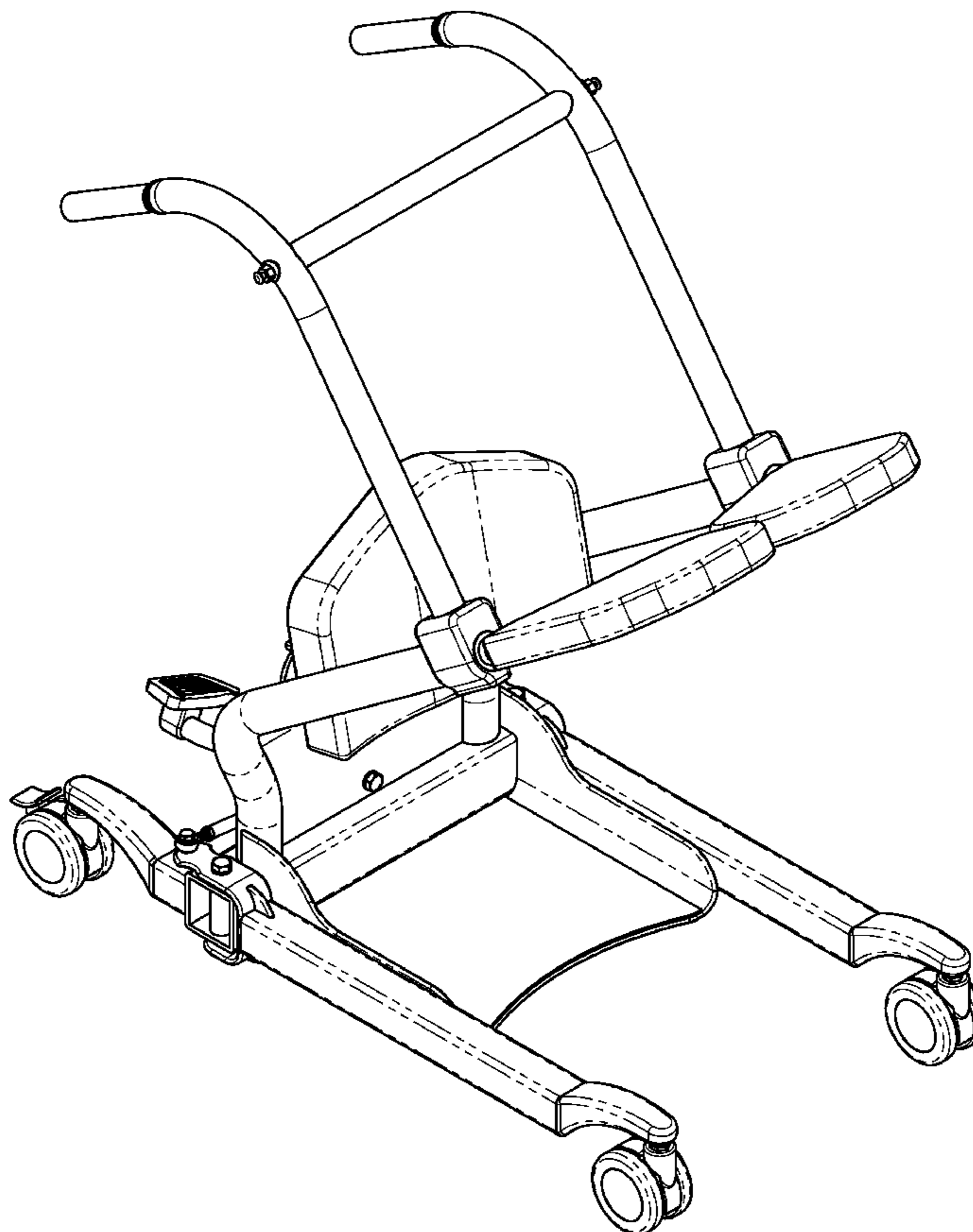
The claimed ornamental design for a wheelchair which embodies the design is for use as a design for a wheelchair.

(56) **References Cited**

U.S. PATENT DOCUMENTS

4,680,819	A *	7/1987	James	.....	5/83.1
4,703,523	A *	11/1987	James	.....	5/83.1
5,093,944	A *	3/1992	Winston, Sr.	.....	5/83.1
5,189,741	A *	3/1993	Beardmore	.....	5/86.1

**1 Claim, 8 Drawing Sheets**



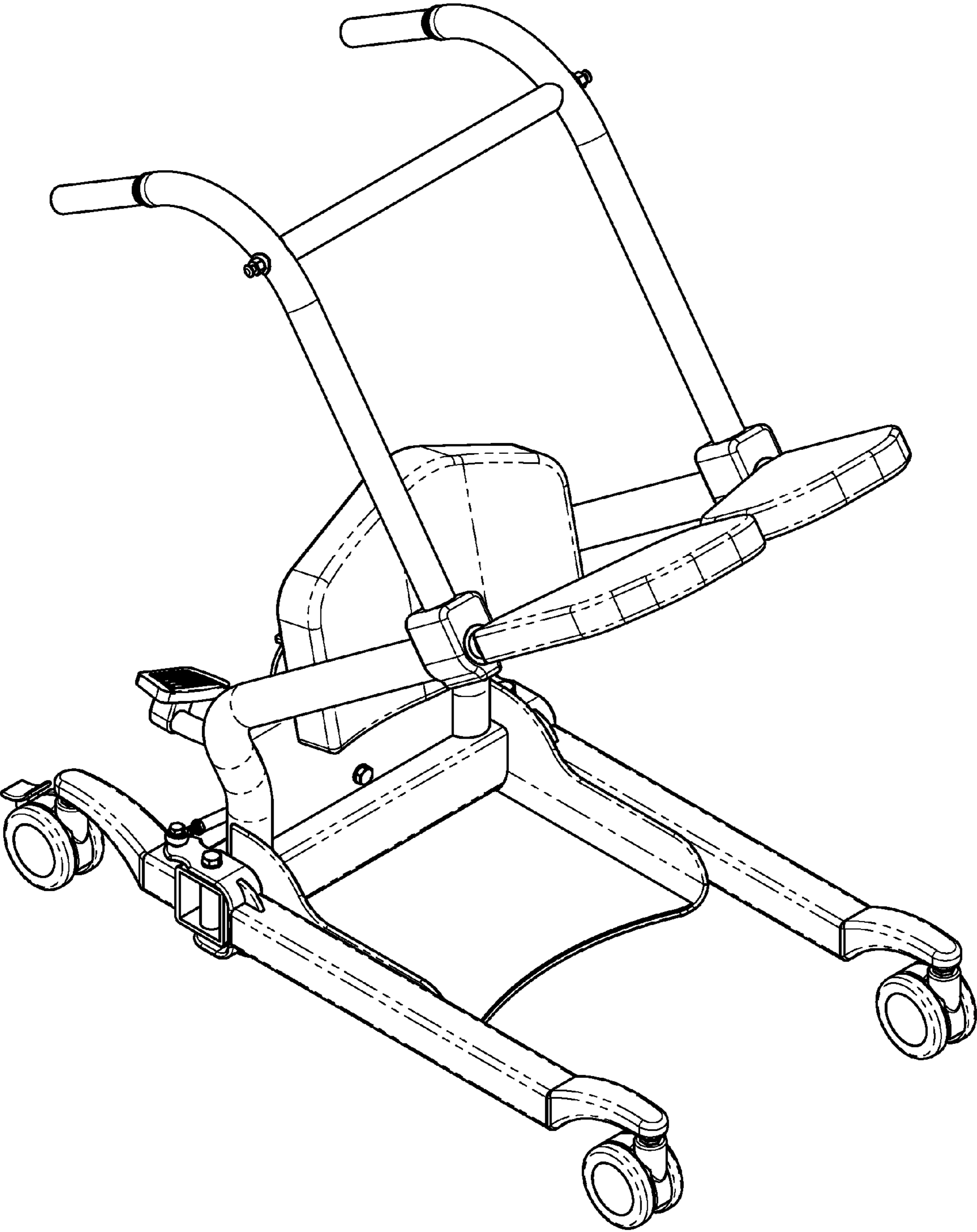


FIGURE 1

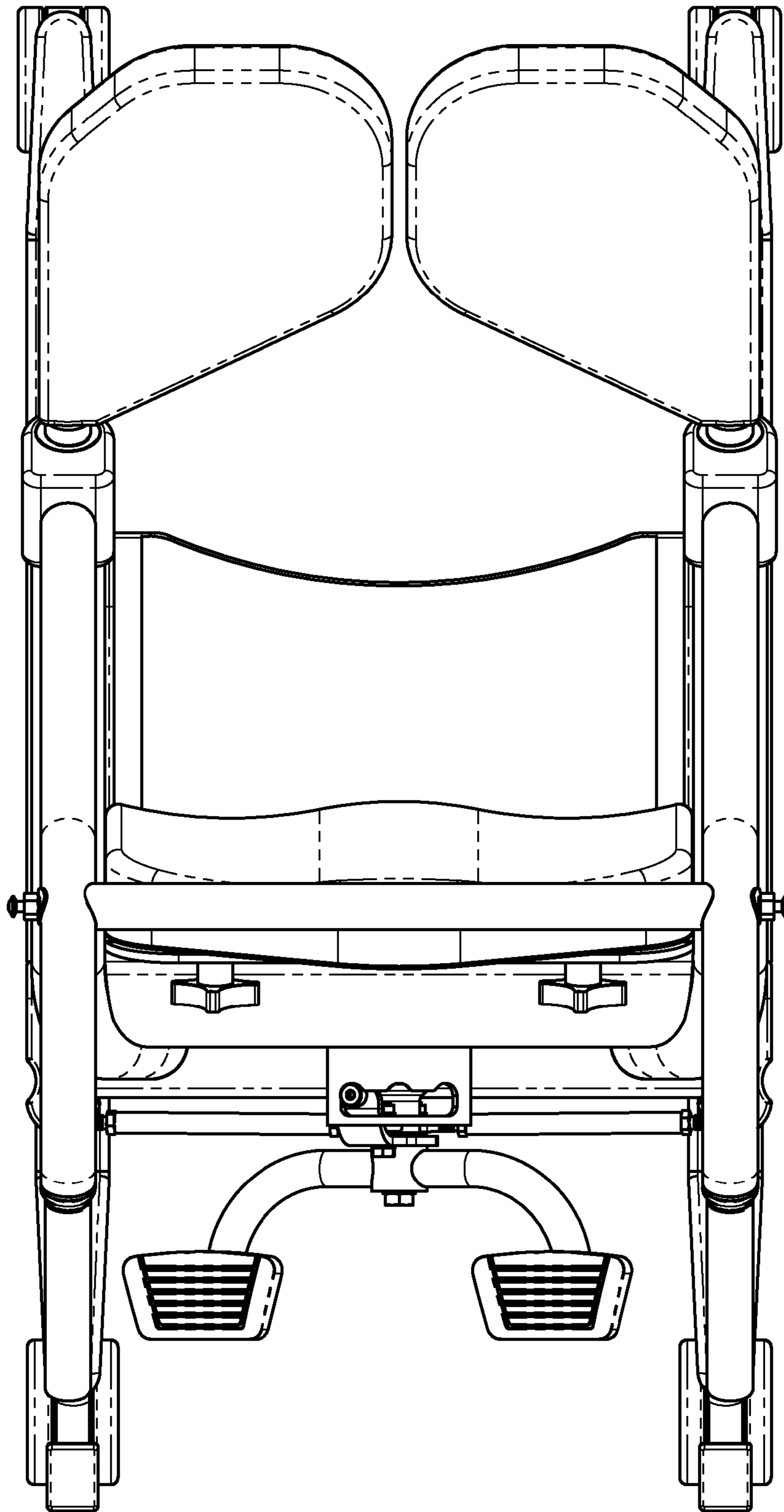


FIGURE 2

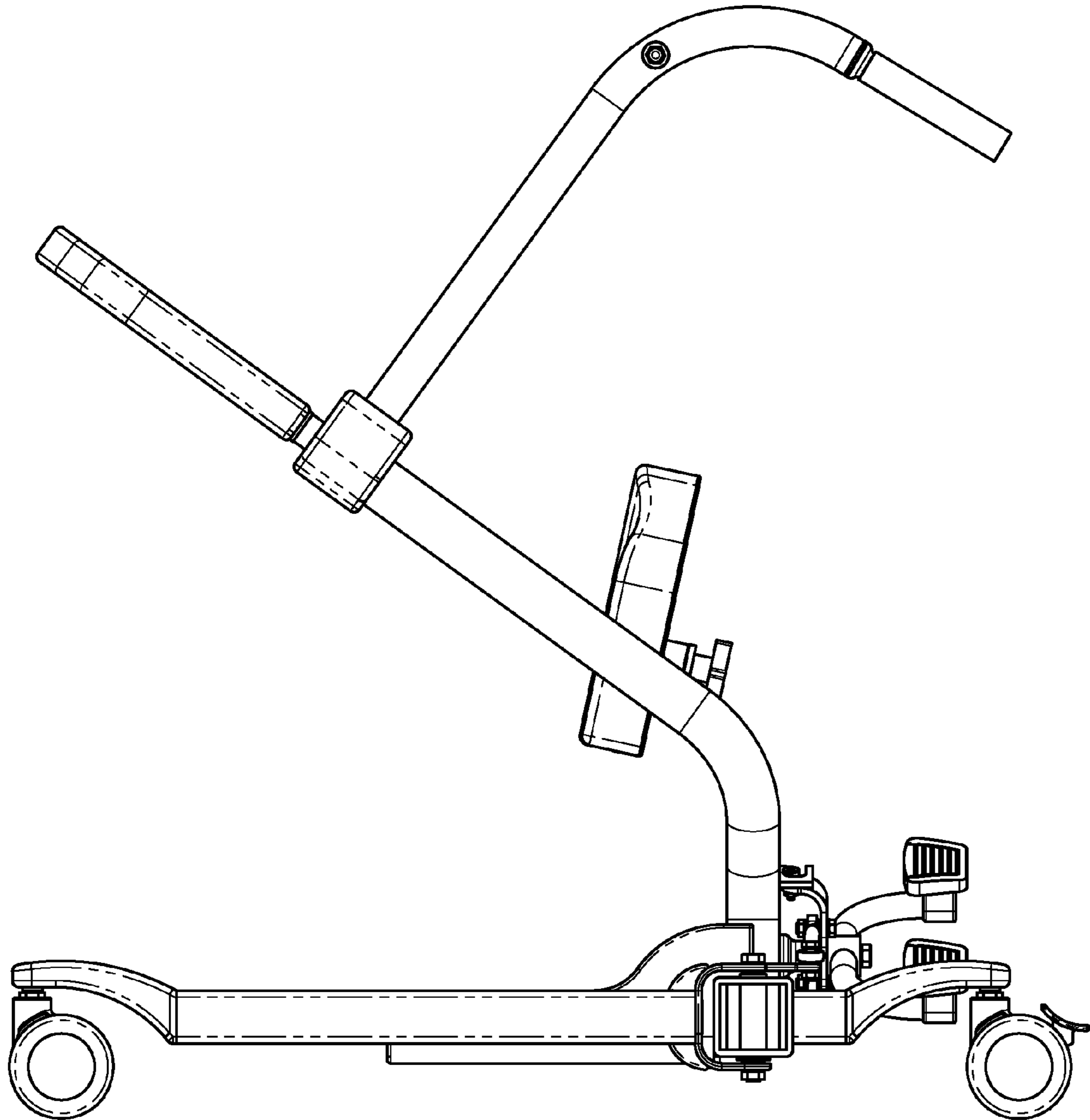


FIGURE 3

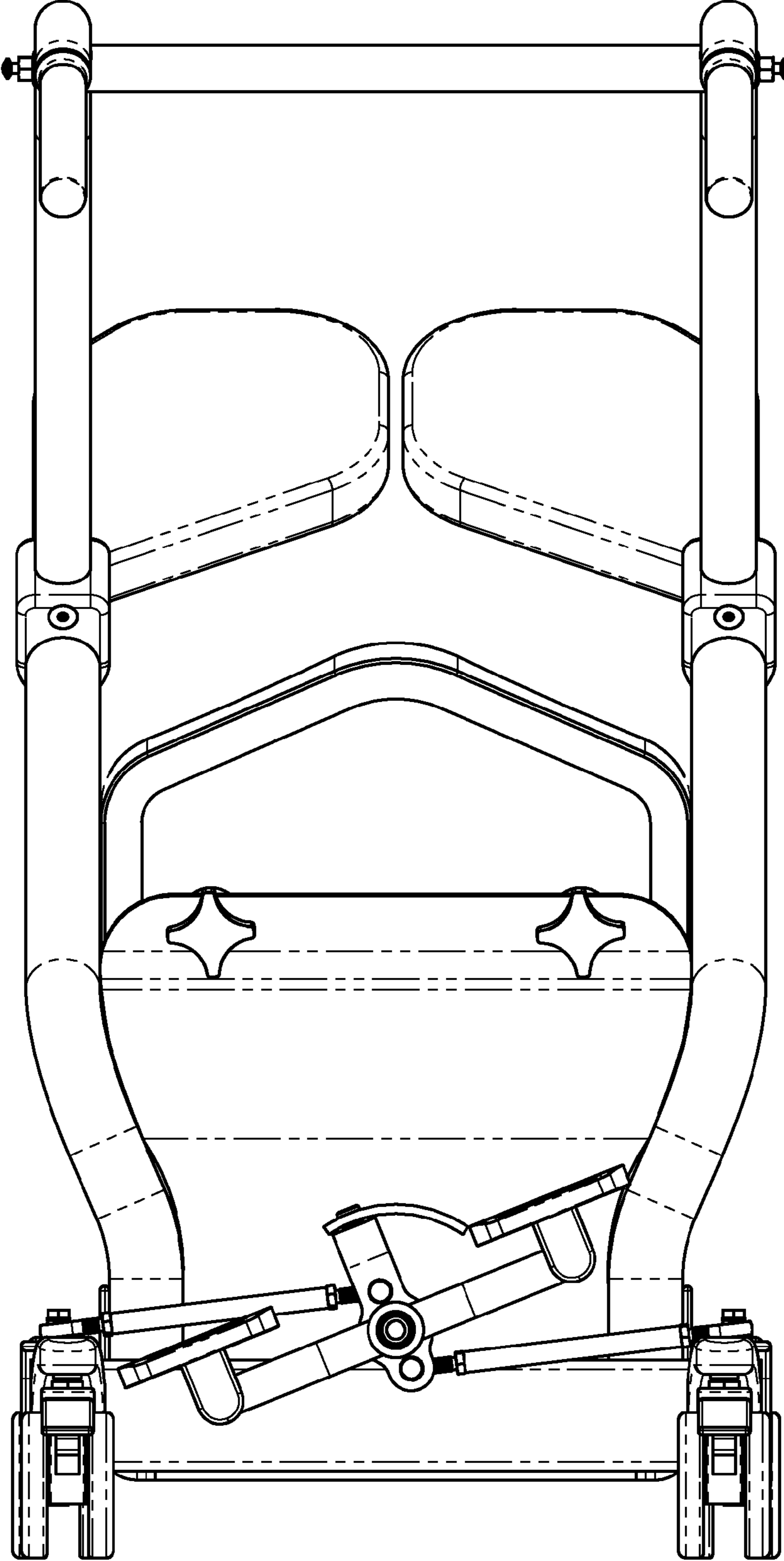


FIGURE 4



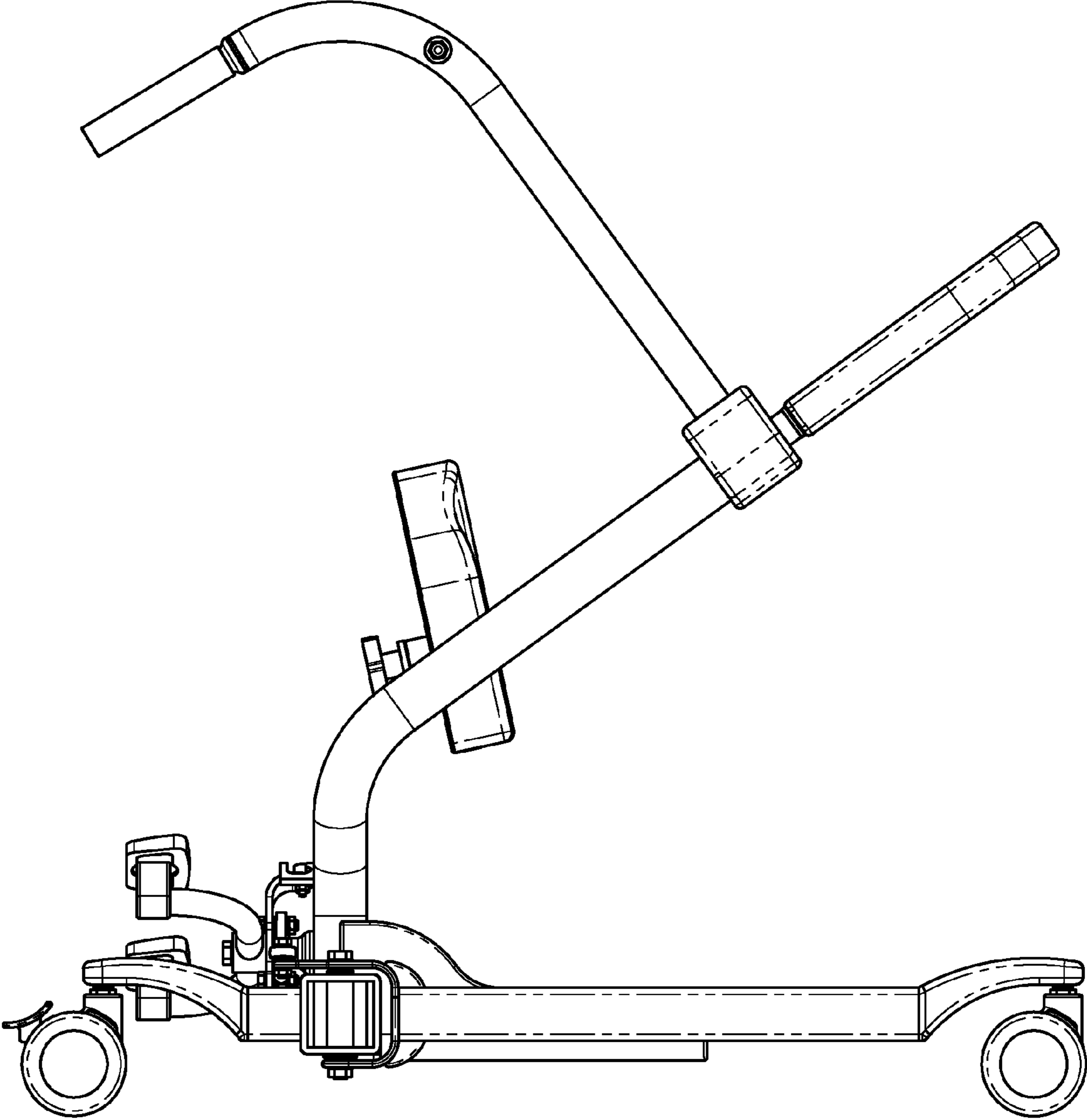


FIGURE 5

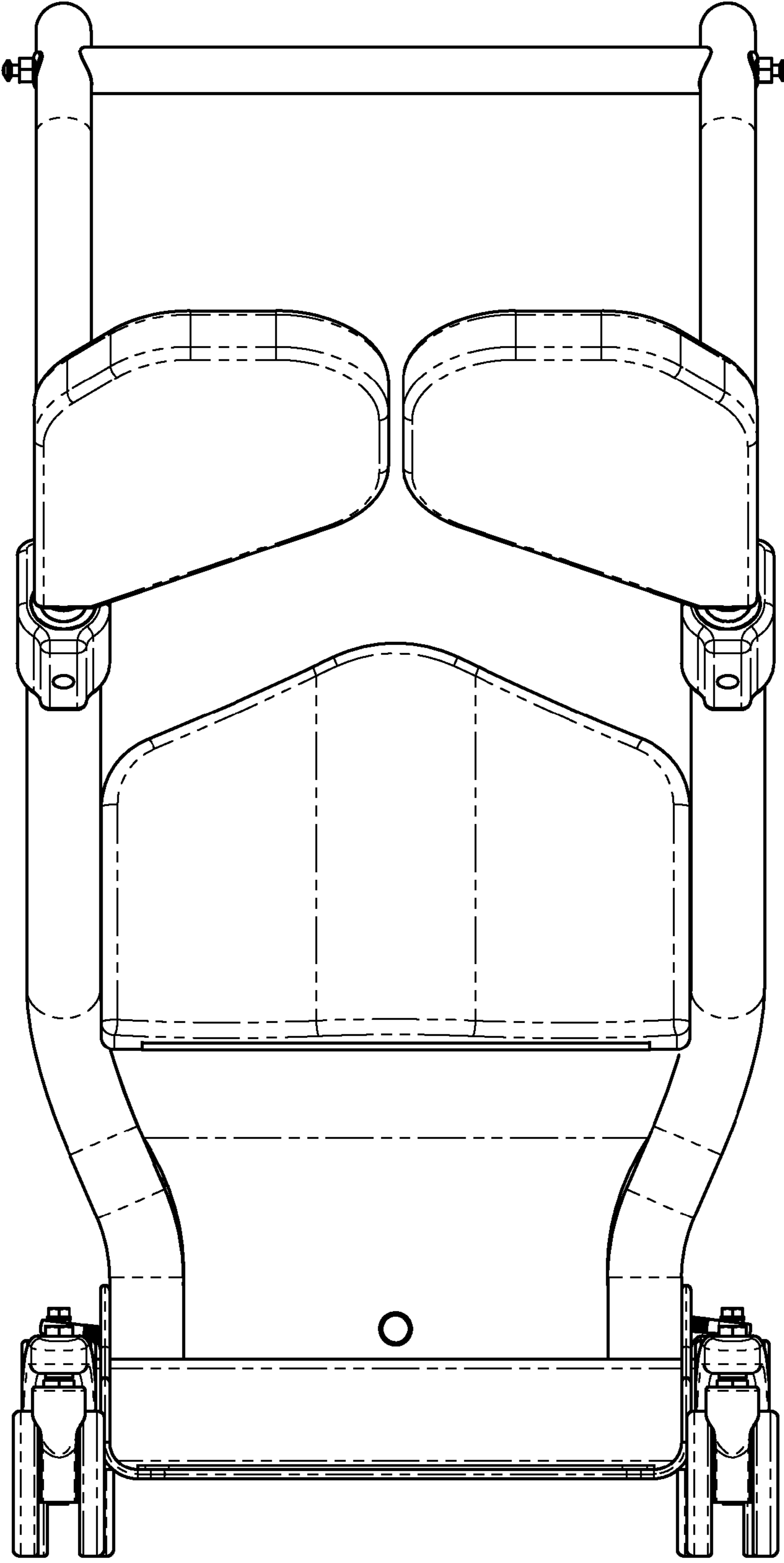


FIGURE 6

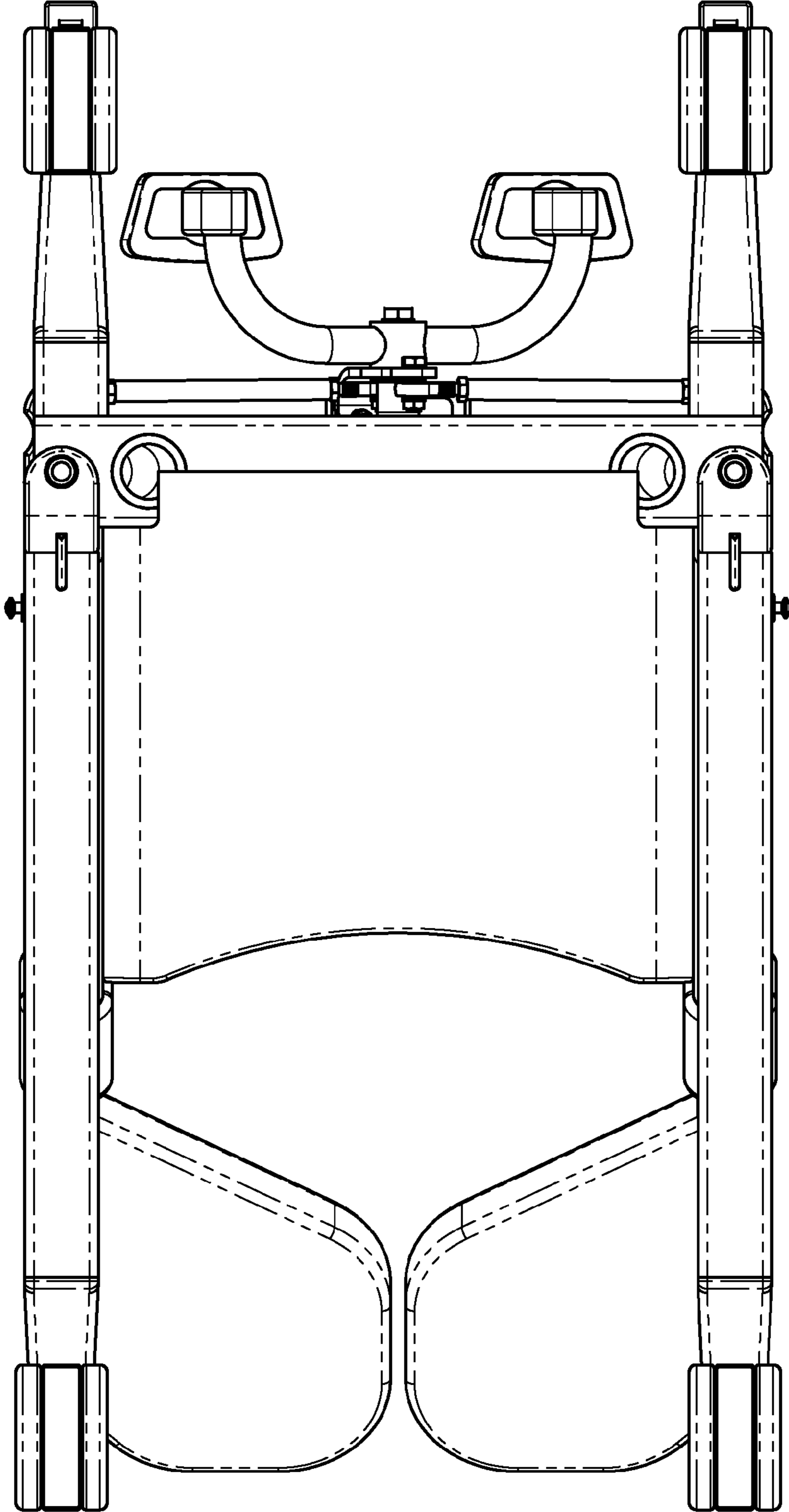


FIGURE 7



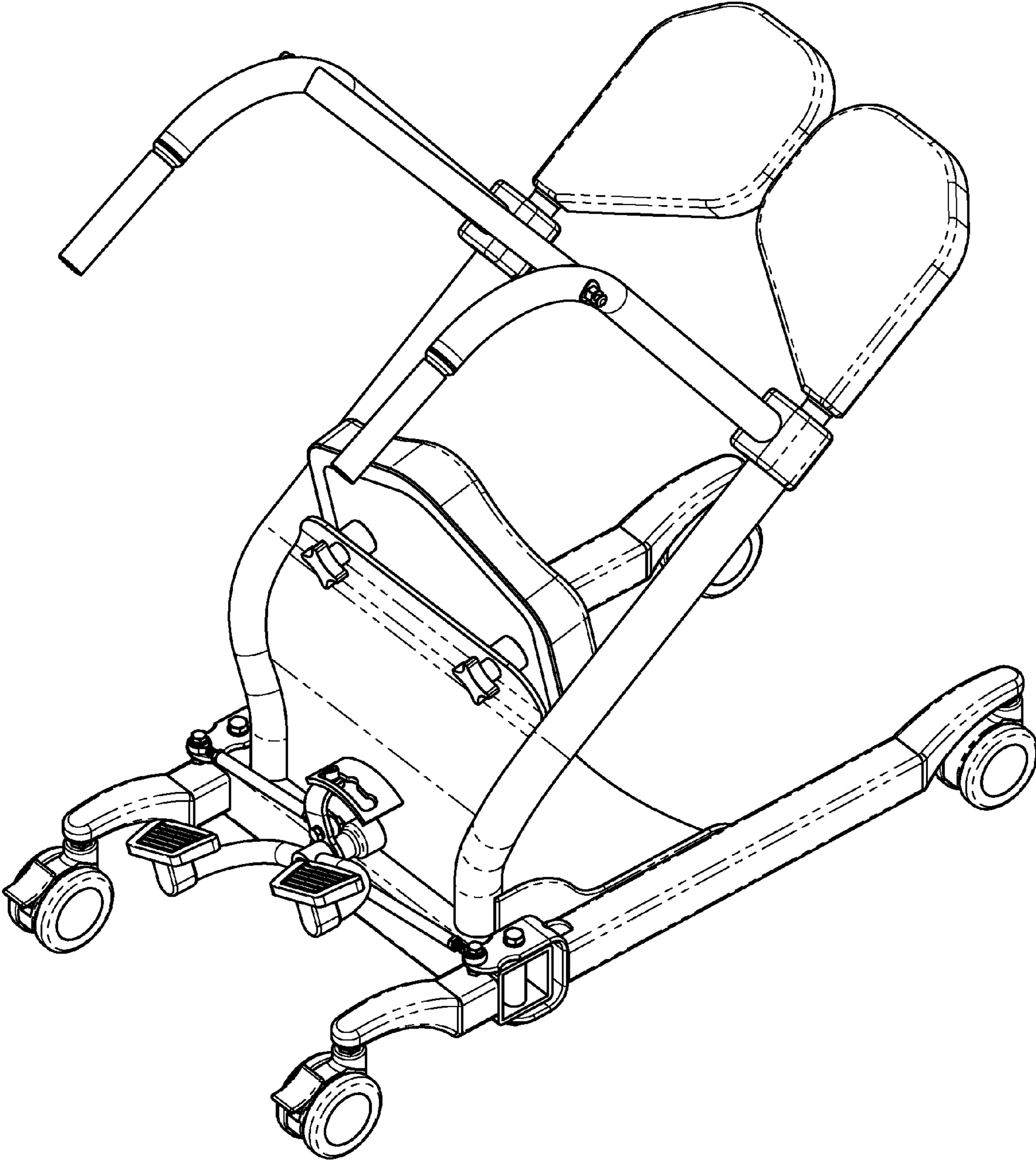


FIGURE 8