



US00D602403S

(12) **United States Design Patent**
Shaha et al.

(10) **Patent No.:** **US D602,403 S**

(45) **Date of Patent:** **** Oct. 20, 2009**

(54) **BICYCLE STAND**

(75) Inventors: **Kevin Bruce Shaha**, Dover, ID (US);
Marcus Bosch, Chicago, IL (US)

(73) Assignee: **Illinois Tool Works Inc.**, Glenview, IL (US)

(**) Term: **14 Years**

(21) Appl. No.: **29/334,098**

(22) Filed: **Mar. 20, 2009**

(51) **LOC (9) Cl.** **12-11**

(52) **U.S. Cl.** **D12/115**

(58) **Field of Classification Search** D12/115,
D12/120; 211/5, 17-22; 280/293; 224/42.11,
224/42.12, 42.13, 309, 545, 924, 533, 324,
224/325, 42.26; D6/462; 248/176.1, 309.1
See application file for complete search history.

(56) **References Cited**

U.S. PATENT DOCUMENTS

D245,596 S *	8/1977	Cohen et al.	D12/115
4,298,211 A *	11/1981	Shitamori	280/297
5,133,461 A	7/1992	Martinell		
D328,882 S	8/1992	Martinell		
D409,134 S *	5/1999	Will	D12/407
5,988,403 A *	11/1999	Robideau	211/20
5,992,645 A *	11/1999	West	211/19
7,028,850 B1 *	4/2006	Sargisian	211/22
7,055,700 B2 *	6/2006	West	211/19
D543,906 S *	6/2007	Hoadley et al.	D12/115

* cited by examiner

Primary Examiner—Cathron C Brooks

Assistant Examiner—Linda Brooks

(74) *Attorney, Agent, or Firm*—Mark W. Croll; Christopher P. Rauch; Beem Patent Law Firm

(57) **CLAIM**

The ornamental design for a bicycle stand, as shown and described.

DESCRIPTION

FIG. 1 is a perspective view of a first embodiment of a bicycle stand showing our new design.

FIG. 2 is a front view of the bicycle stand of FIG. 1.

FIG. 3 is a rear view of the bicycle stand of FIG. 1.

FIG. 4 is a side view of the bicycle stand of FIG. 1, the other side being a mirror image thereof.

FIG. 5 is a top view of the bicycle stand of FIG. 1.

FIG. 6 is a bottom view of the bicycle stand of FIG. 1.

FIG. 7 is a perspective view of the bicycle stand of FIG. 1 with a bicycle shown as environment.

FIG. 8 is a perspective view of a second embodiment of a bicycle stand showing our new design.

FIG. 9 is a front view of the bicycle stand of FIG. 8.

FIG. 10 is a rear view of the bicycle stand of FIG. 8.

FIG. 11 is a side view of the bicycle stand of FIG. 8, the other side being a mirror image thereof.

FIG. 12 is a top view of the bicycle stand of FIG. 8.

FIG. 13 is a bottom view of the bicycle stand of FIG. 8; and,

FIG. 14 is a perspective view of the bicycle stand of FIG. 8 with a pair of bicycles shown as environment.

The broken lines in the drawings represent unclaimed environmental subject matter.

1 Claim, 6 Drawing Sheets

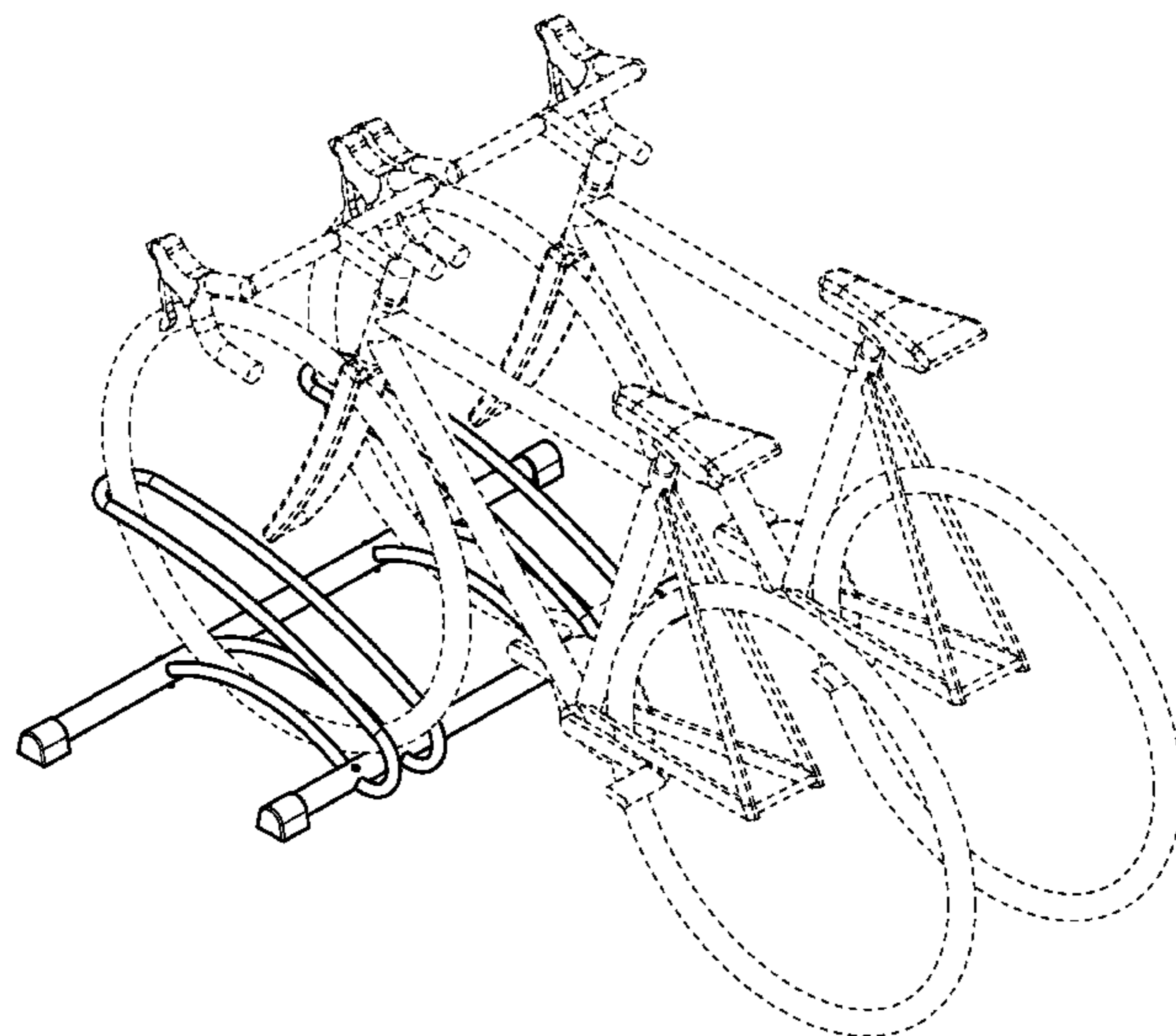
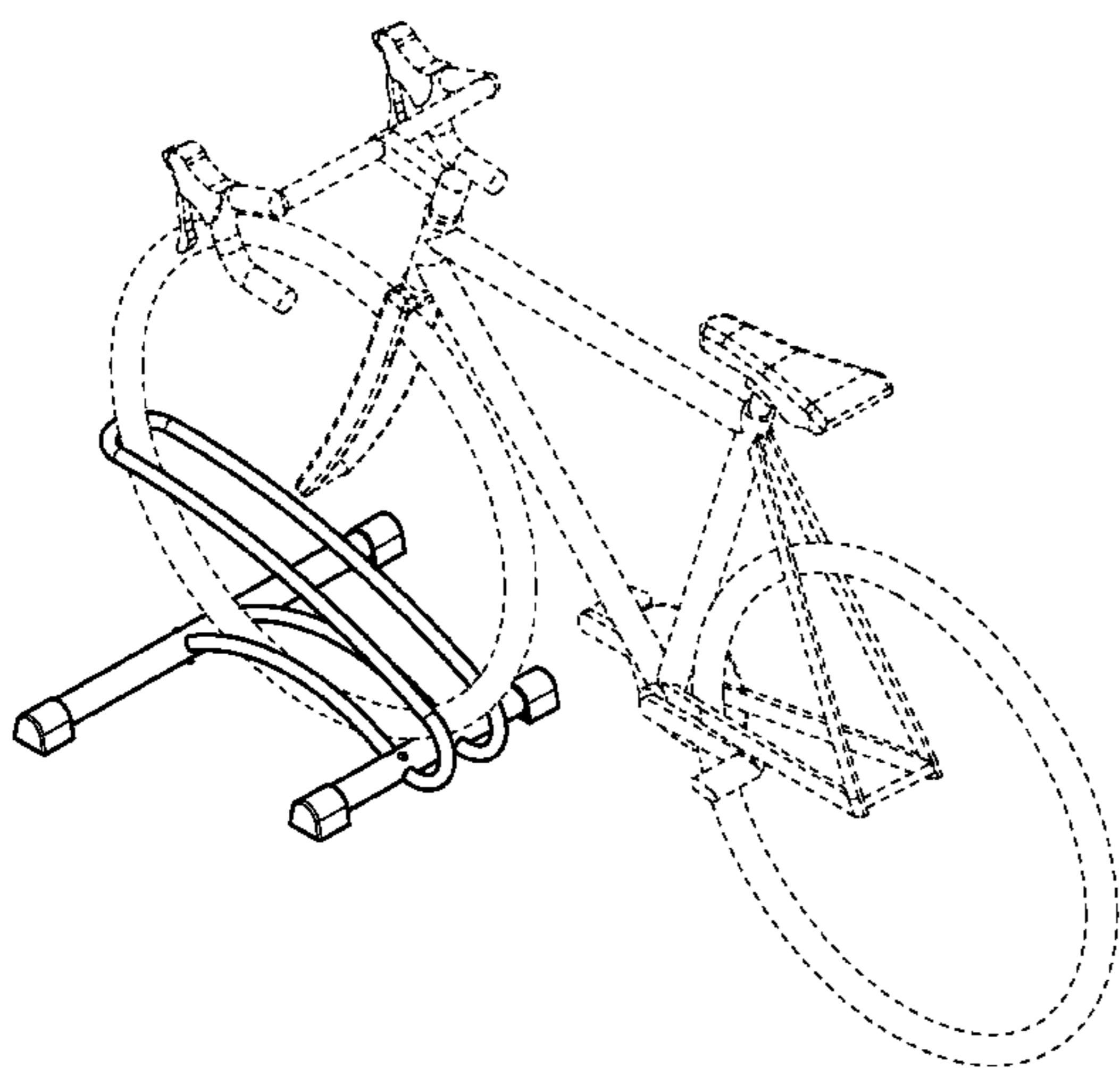


Fig.1

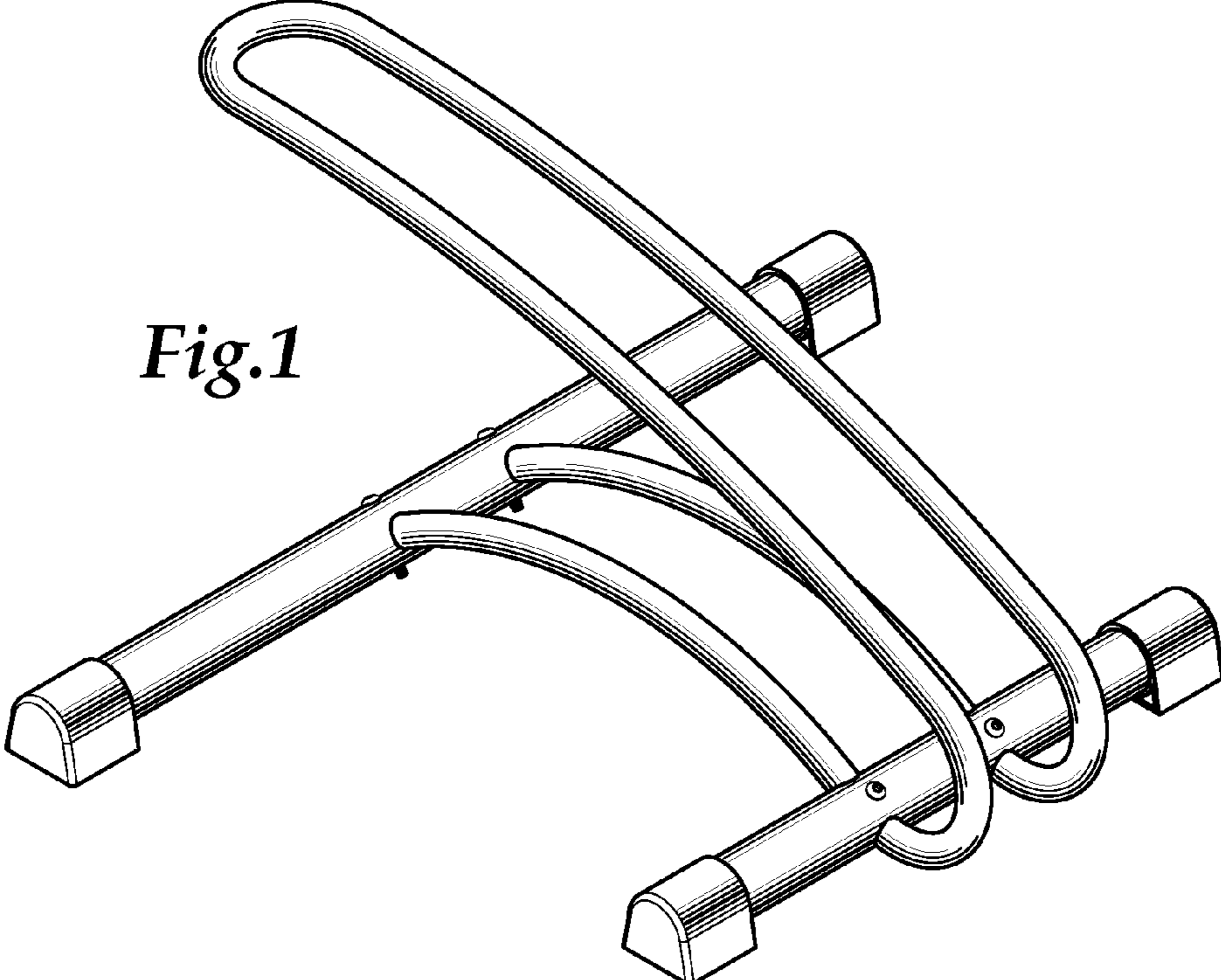
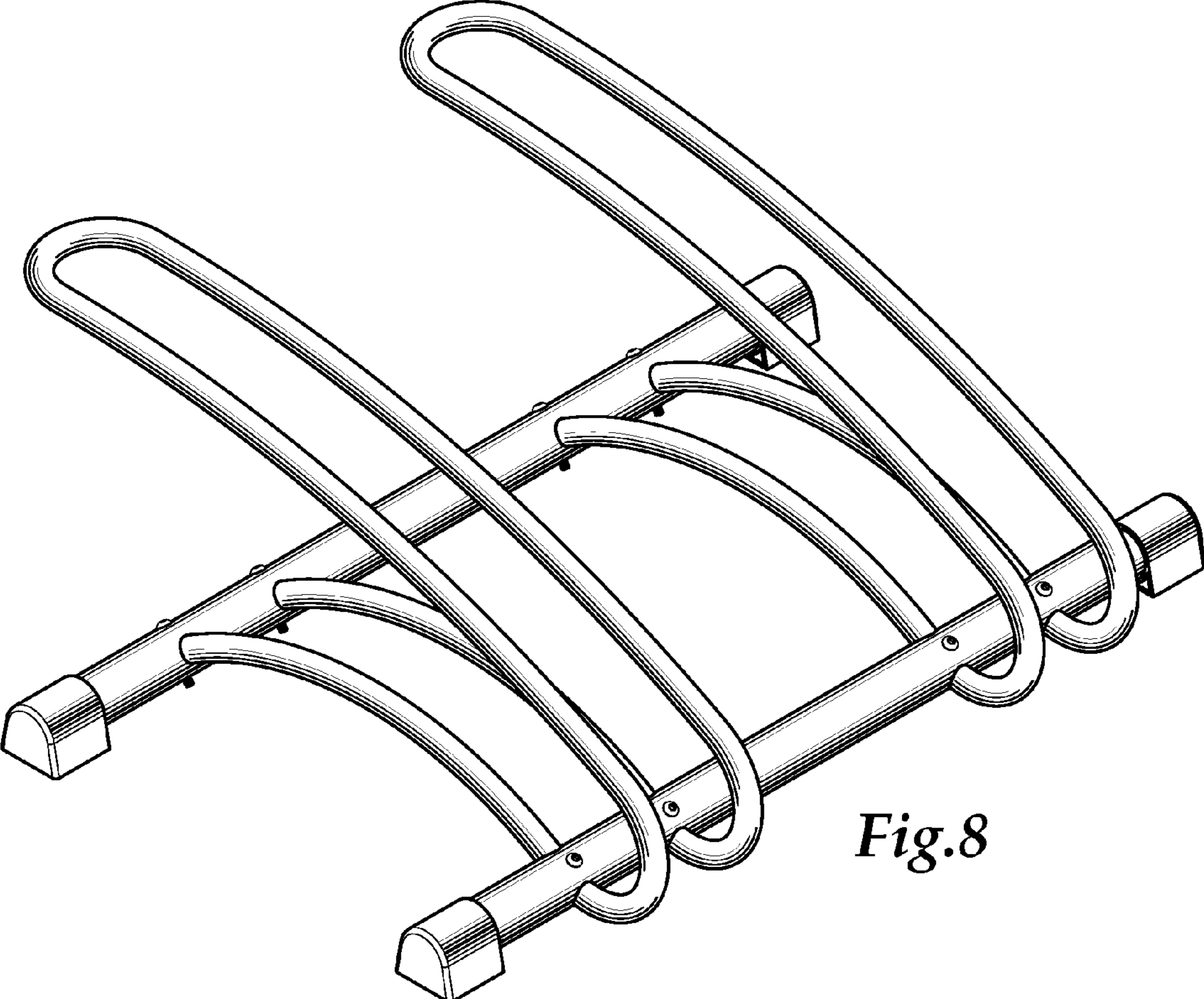


Fig.8



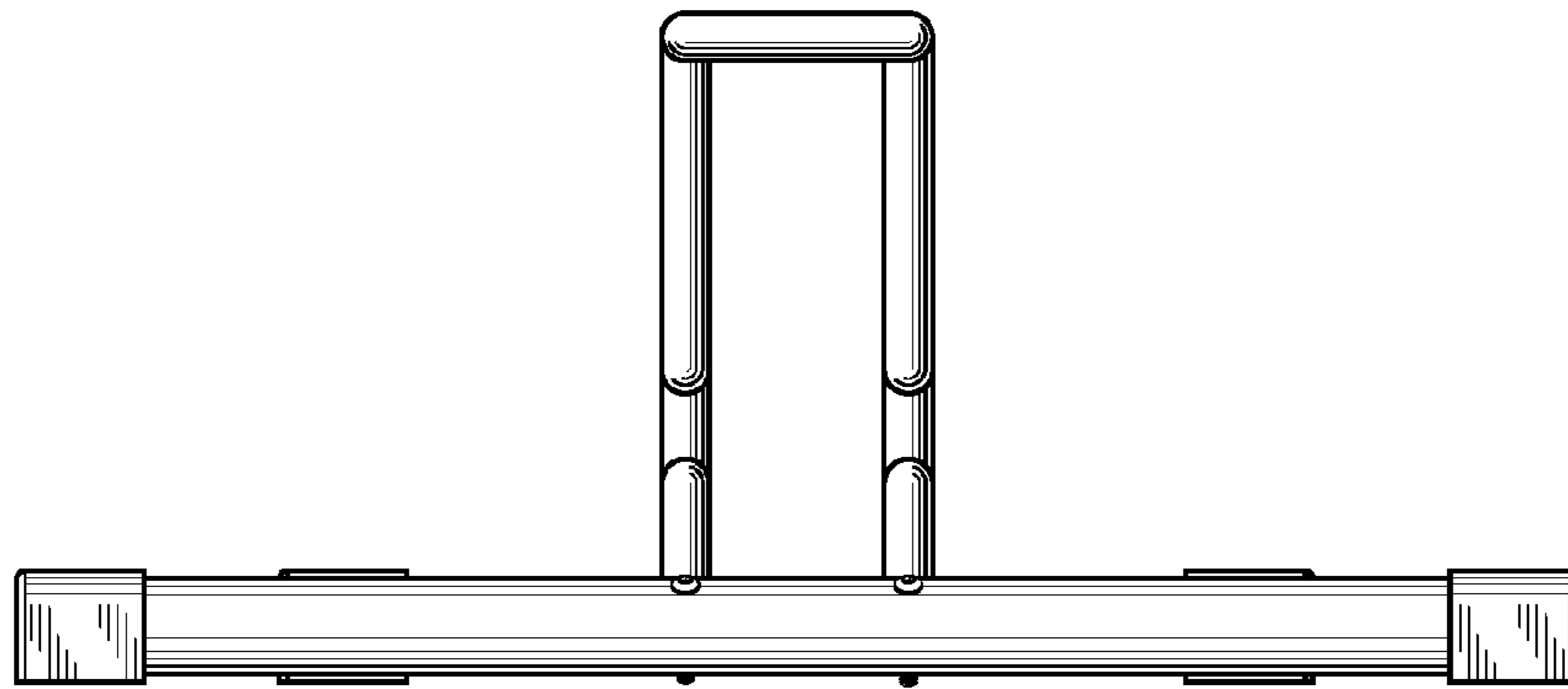


Fig.2

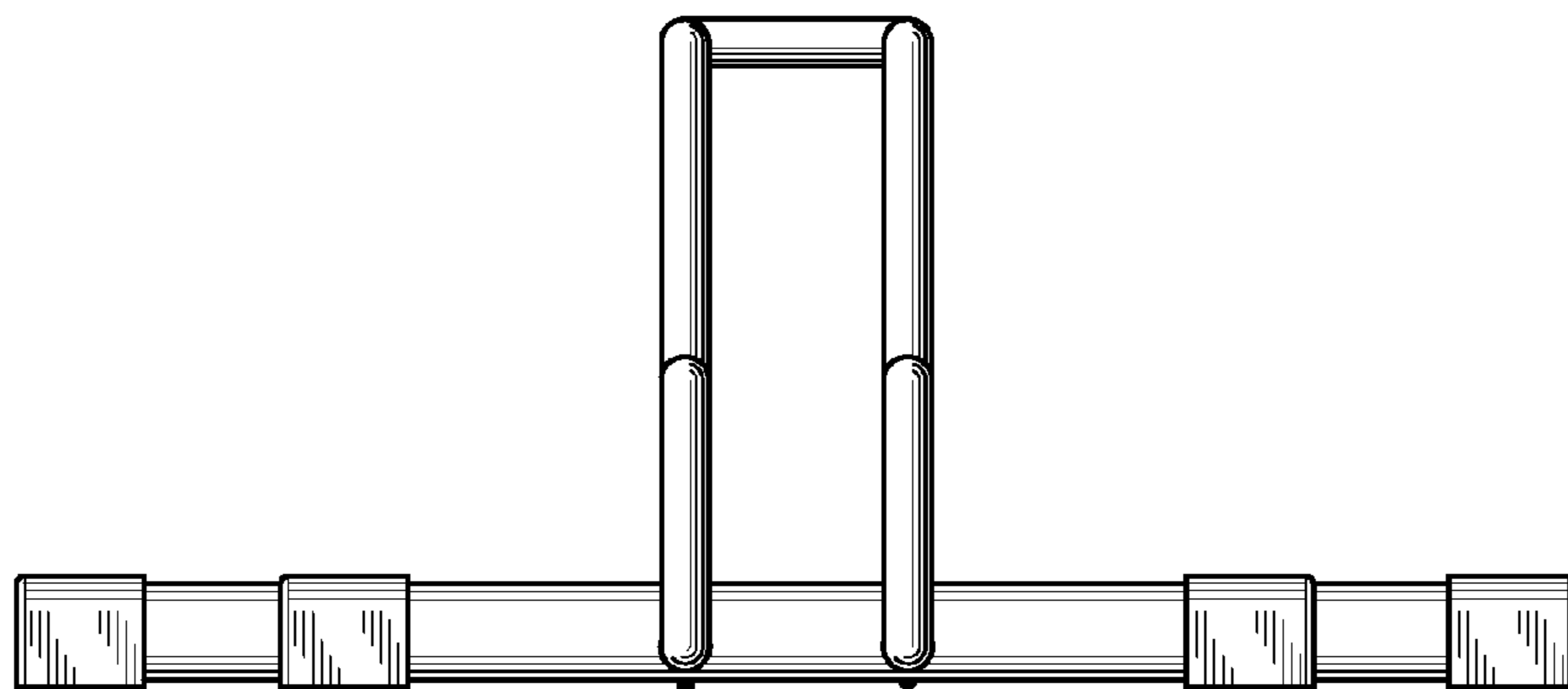


Fig.3

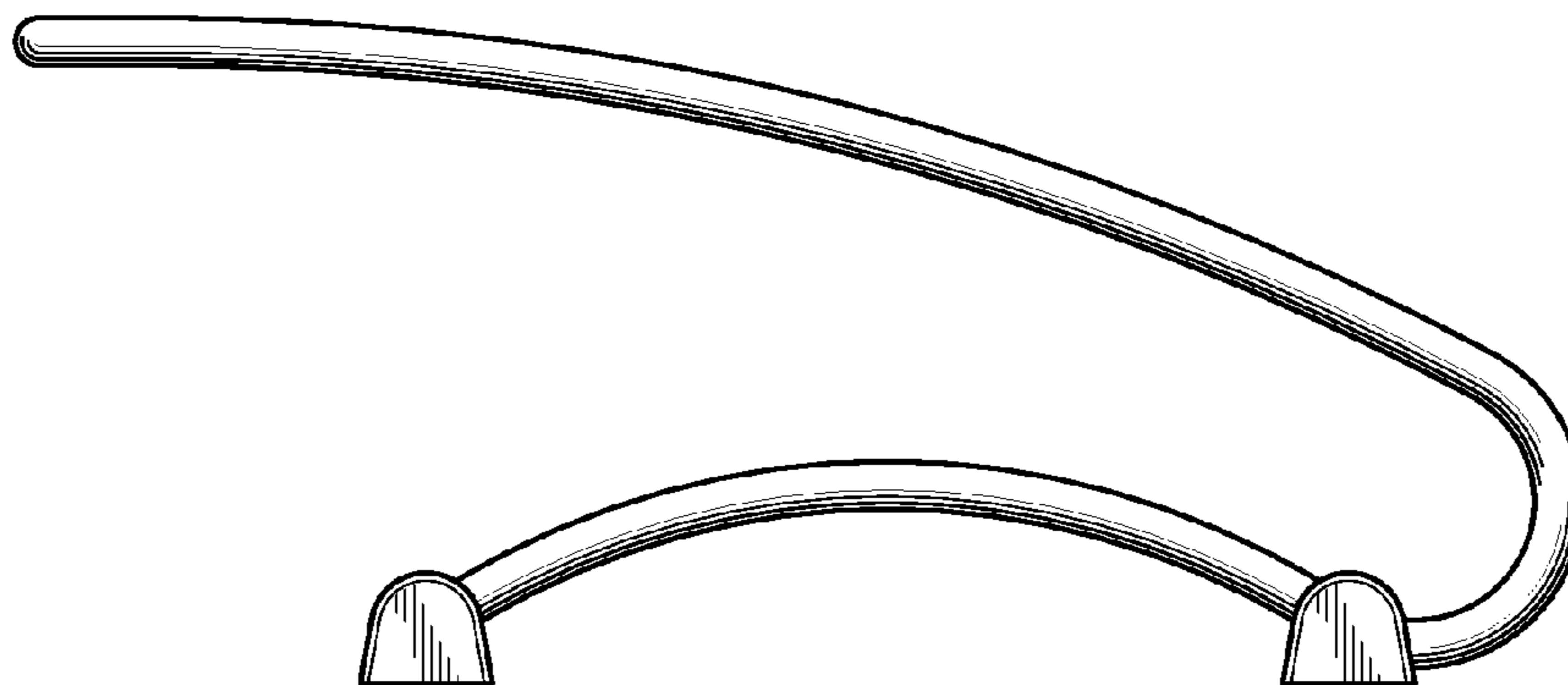


Fig.4

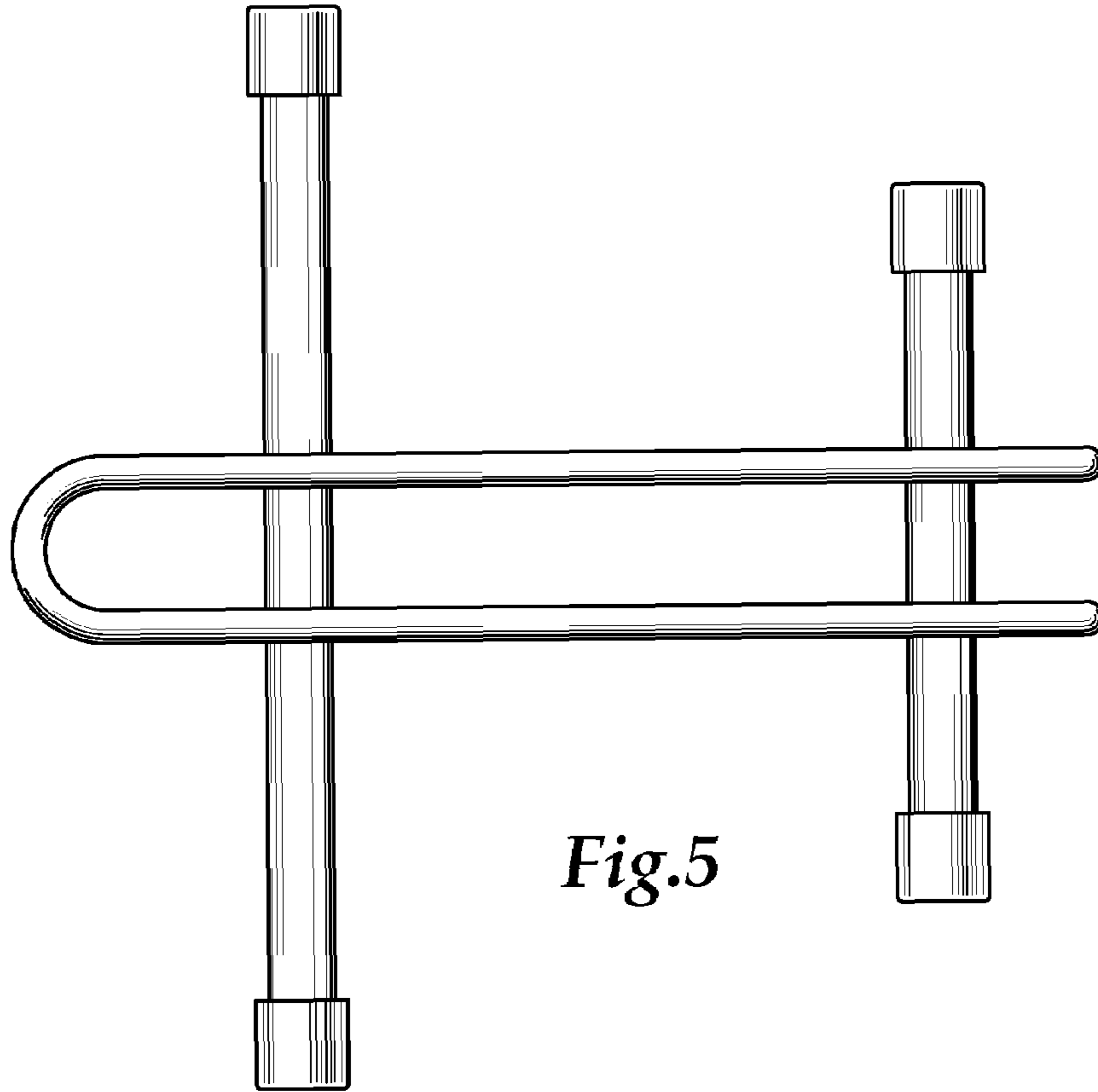


Fig.5

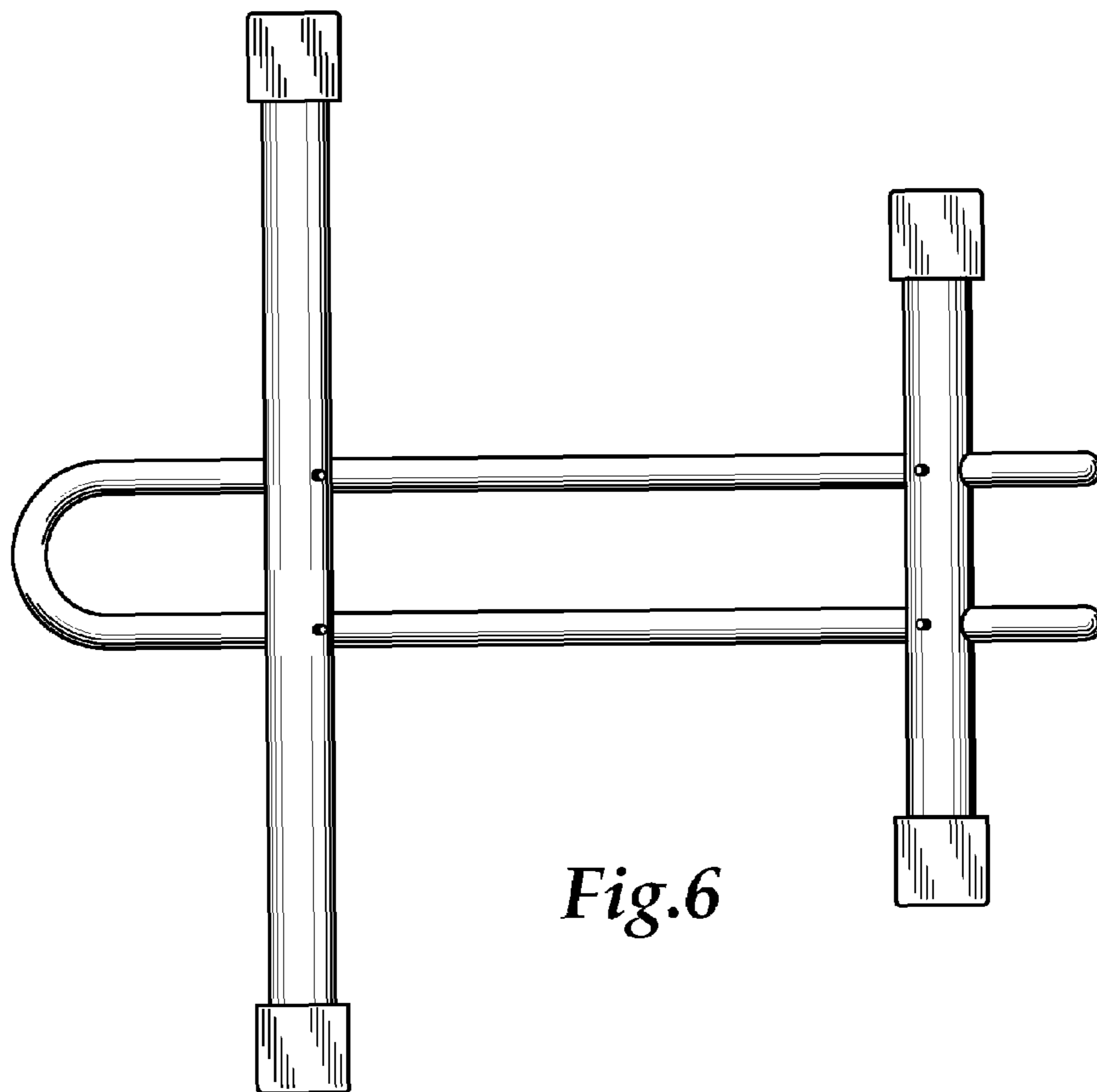


Fig.6

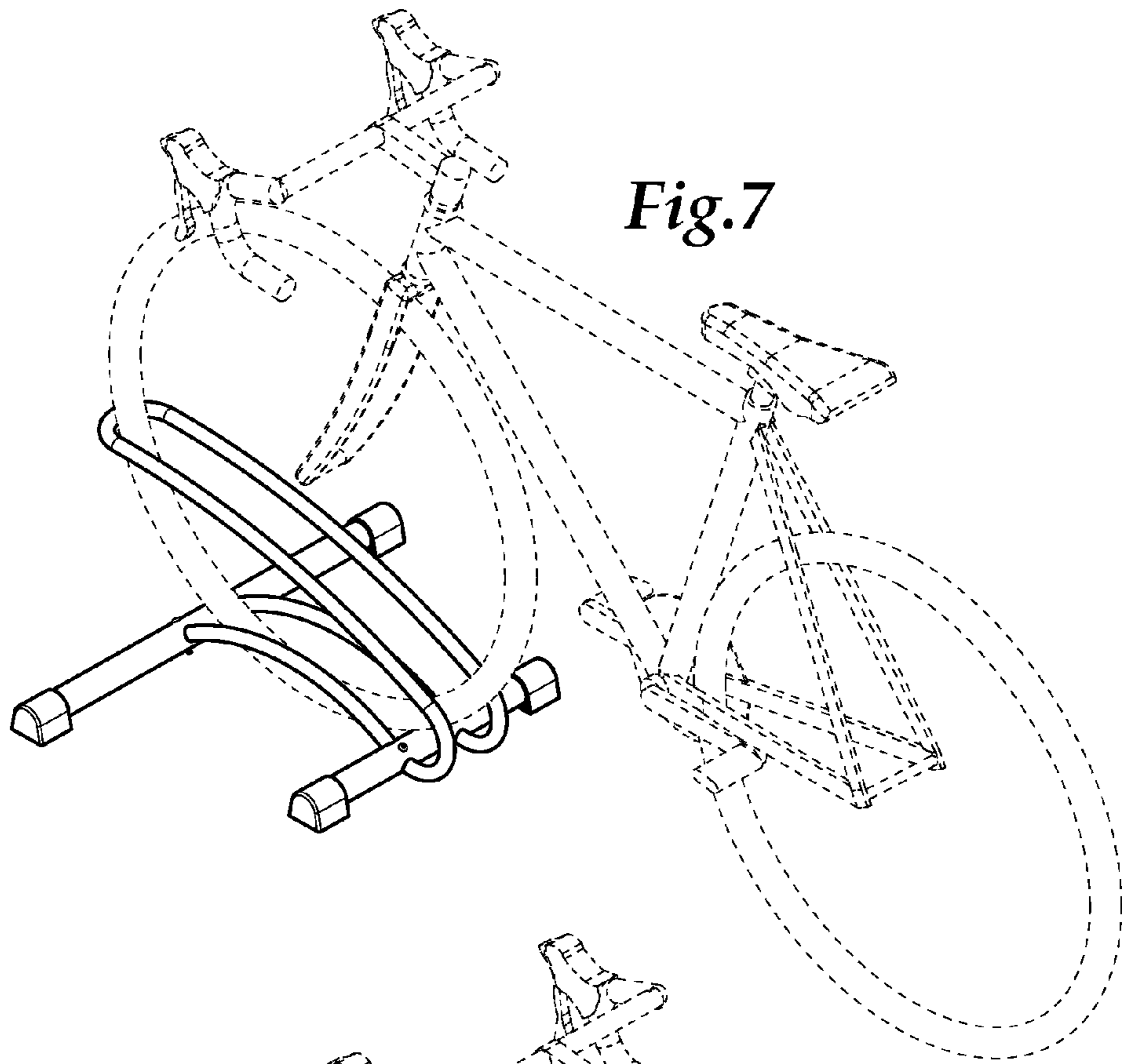


Fig. 7

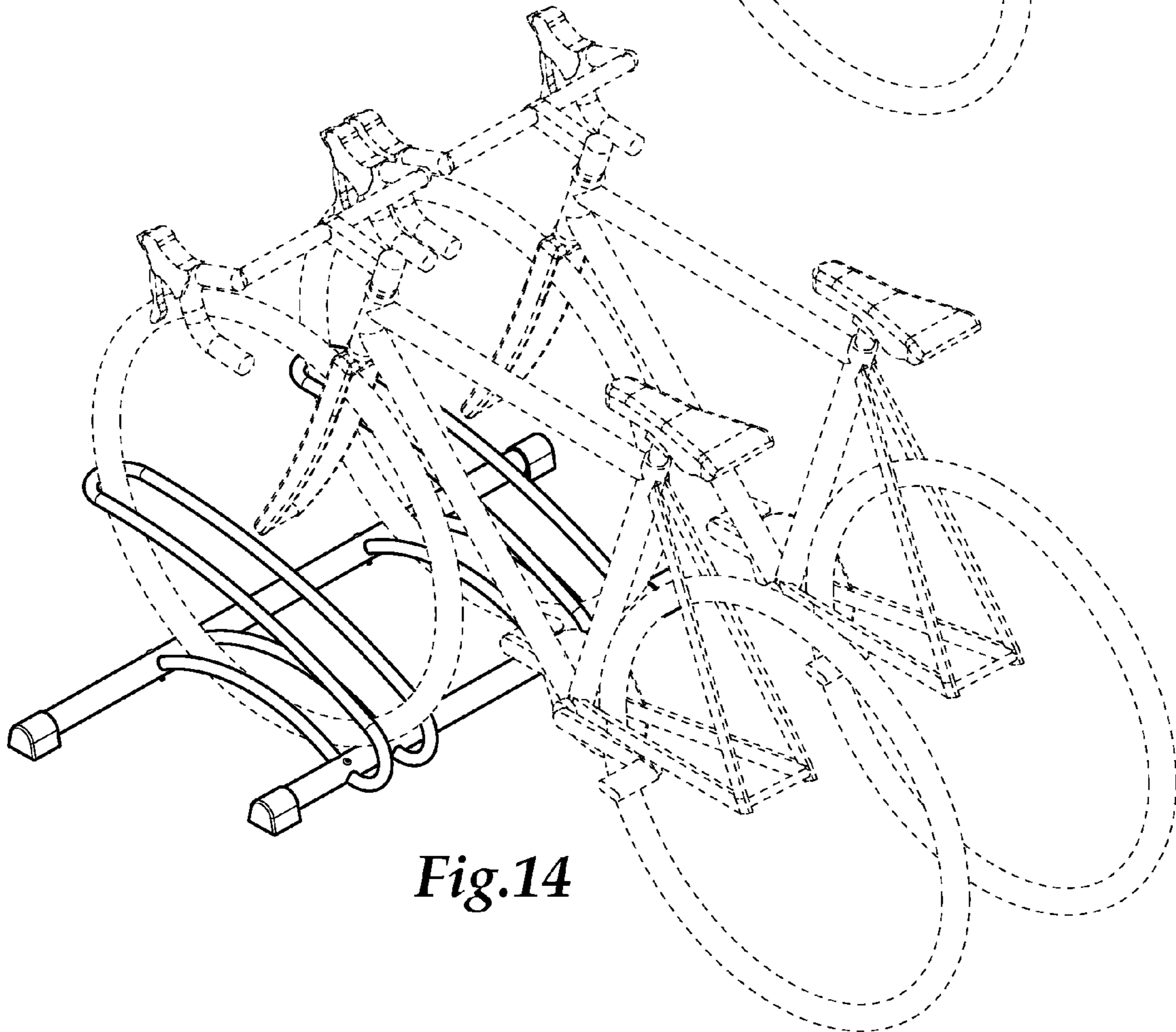


Fig. 14

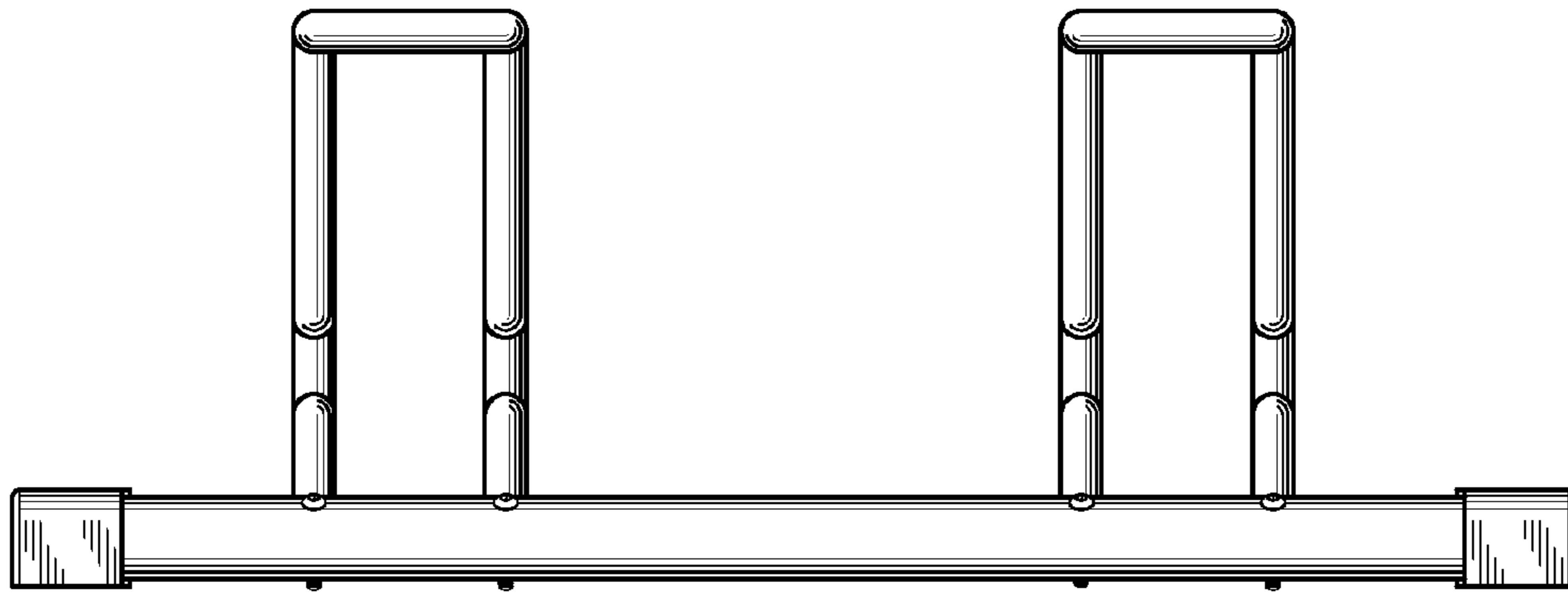


Fig.9

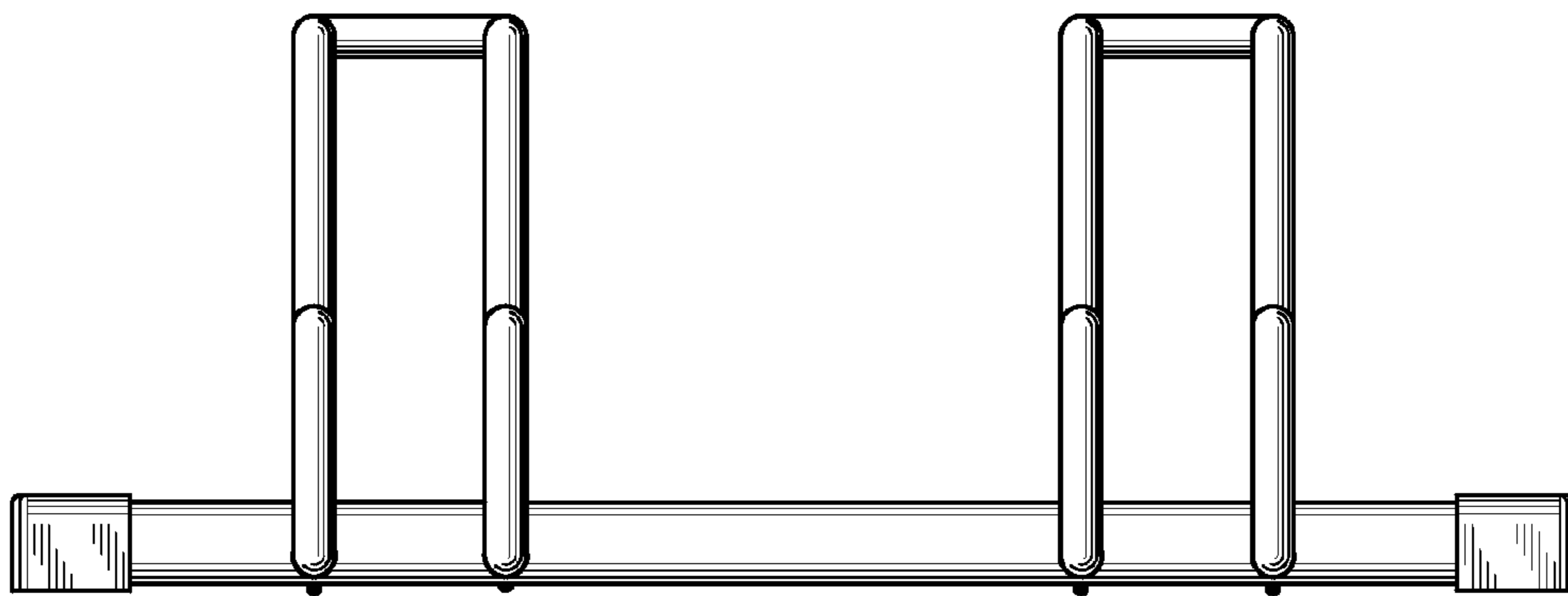


Fig.10

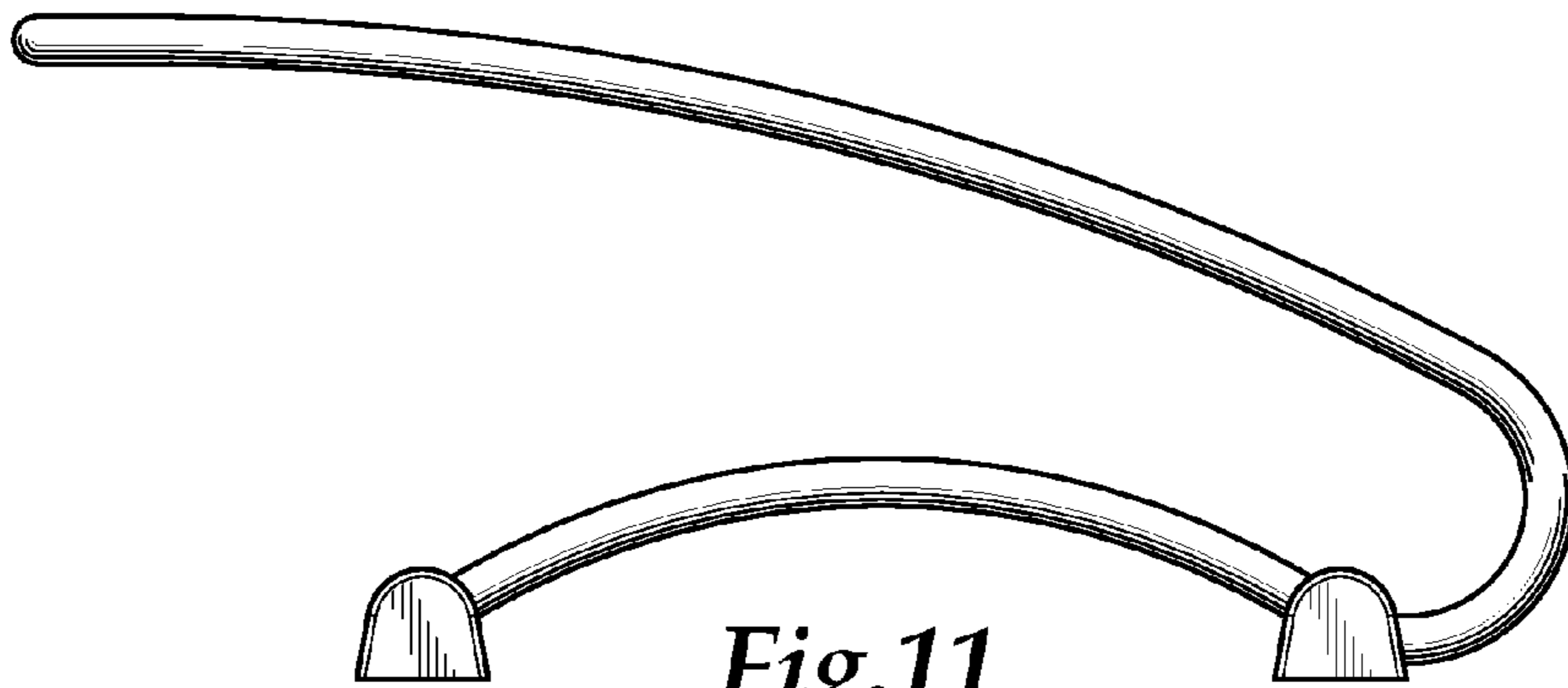


Fig.11

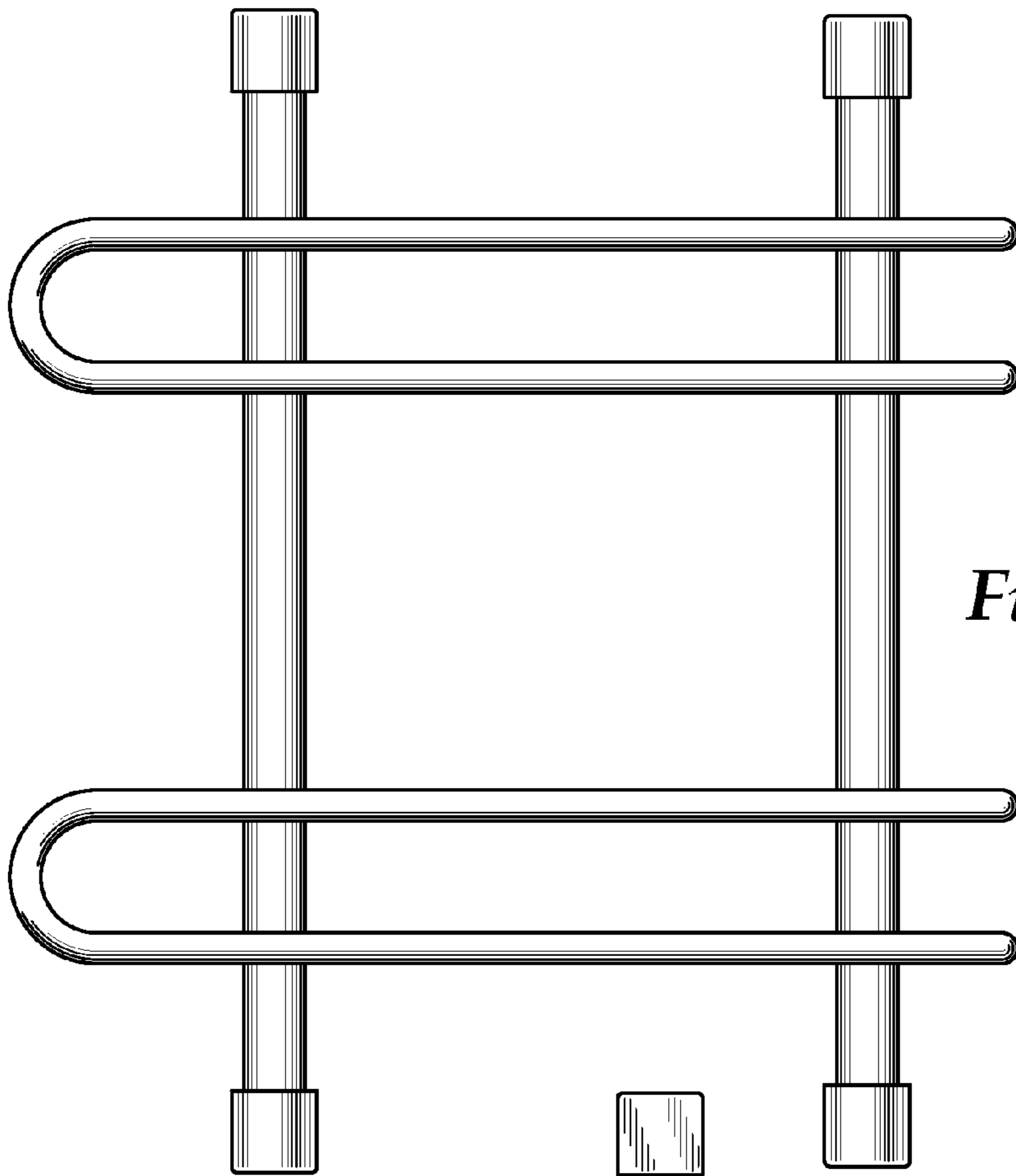


Fig.12

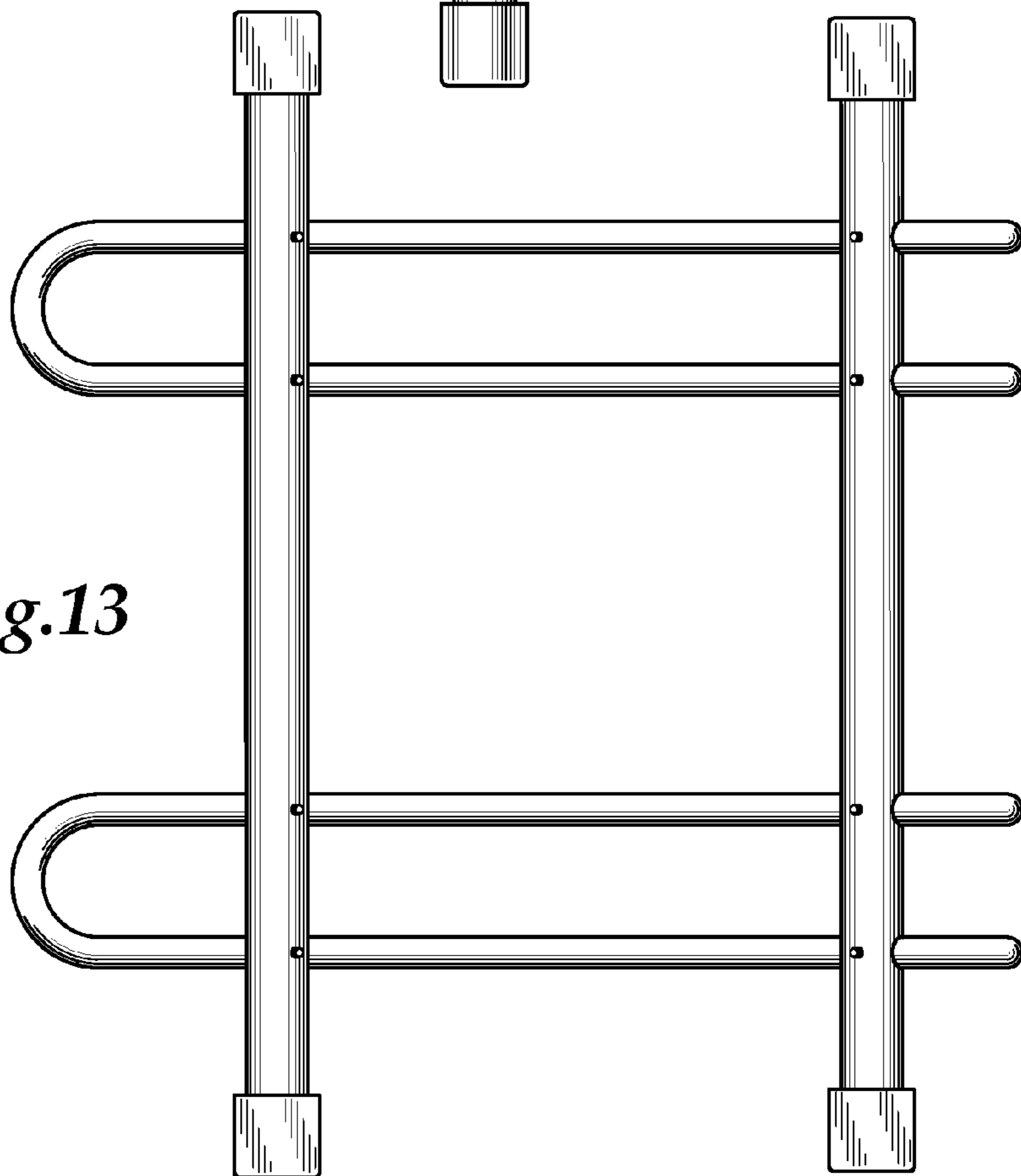


Fig.13