



US00D602401S

(12) **United States Design Patent**  
**Chao et al.**

(10) **Patent No.:** **US D602,401 S**  
(45) **Date of Patent:** **\*\* Oct. 20, 2009**

(54) **ALL TERRAIN VEHICLE**

D438,823 S \* 3/2001 Luh ..... D12/107  
D560,559 S \* 1/2008 Yin et al. .... D12/107

(75) Inventors: **Chin-Wei Chao**, Kaohsiung (TW);  
**Cheng-Wei Lin**, Kaohsiung (TW);  
**Kuo-Feng Huang**, Kaohsiung (TW);  
**Nea-Yu Chen**, Kaohsiung (TW)

\* cited by examiner

(73) Assignee: **Kwang Yang Motor Co., Ltd.**,  
Kaohsiung (TW)

*Primary Examiner*—Robin V Webster  
*Assistant Examiner*—Linda G. Brooks  
(74) *Attorney, Agent, or Firm*—Leong C. Lei

(\*\*) Term: **14 Years**

(57) **CLAIM**

(21) Appl. No.: **29/330,413**

The ornamental design for an all terrain vehicle, as shown and described.

(22) Filed: **Jan. 7, 2009**

(30) **Foreign Application Priority Data**

**DESCRIPTION**

Dec. 5, 2008 (TW) ..... 097306916

(51) **LOC (9) Cl.** ..... **12-11**

(52) **U.S. Cl.** ..... **D12/107**

(58) **Field of Classification Search** ..... D12/3,  
D12/86, 87, 107, 110; 180/223, 225, 229,  
180/233, 311, 312, 315

FIG. 1 is a perspective view of an all terrain vehicle showing my new design;  
FIG. 2 is a front elevational view thereof;  
FIG. 3 is a rear elevational view thereof;  
FIG. 4 is a left side elevational view thereof;  
FIG. 5 is a right side elevational view thereof;  
FIG. 6 is a top plan view thereof; and,  
FIG. 7 is a bottom plan view thereof.

See application file for complete search history.

(56) **References Cited**

**U.S. PATENT DOCUMENTS**

**1 Claim, 7 Drawing Sheets**

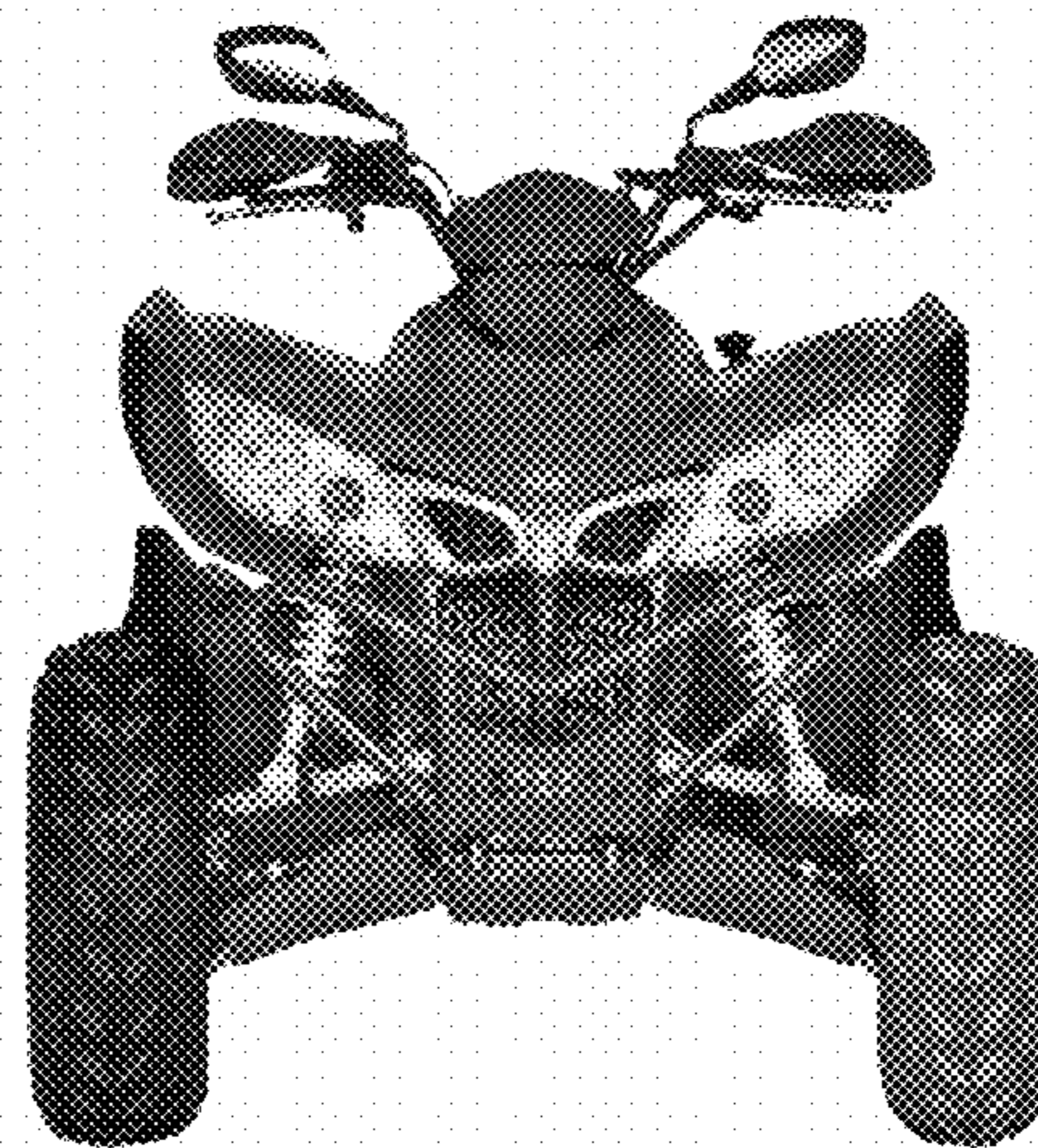




FIG.1



FIG.2



FIG.3



FIG.4



FIG.5



FIG.6

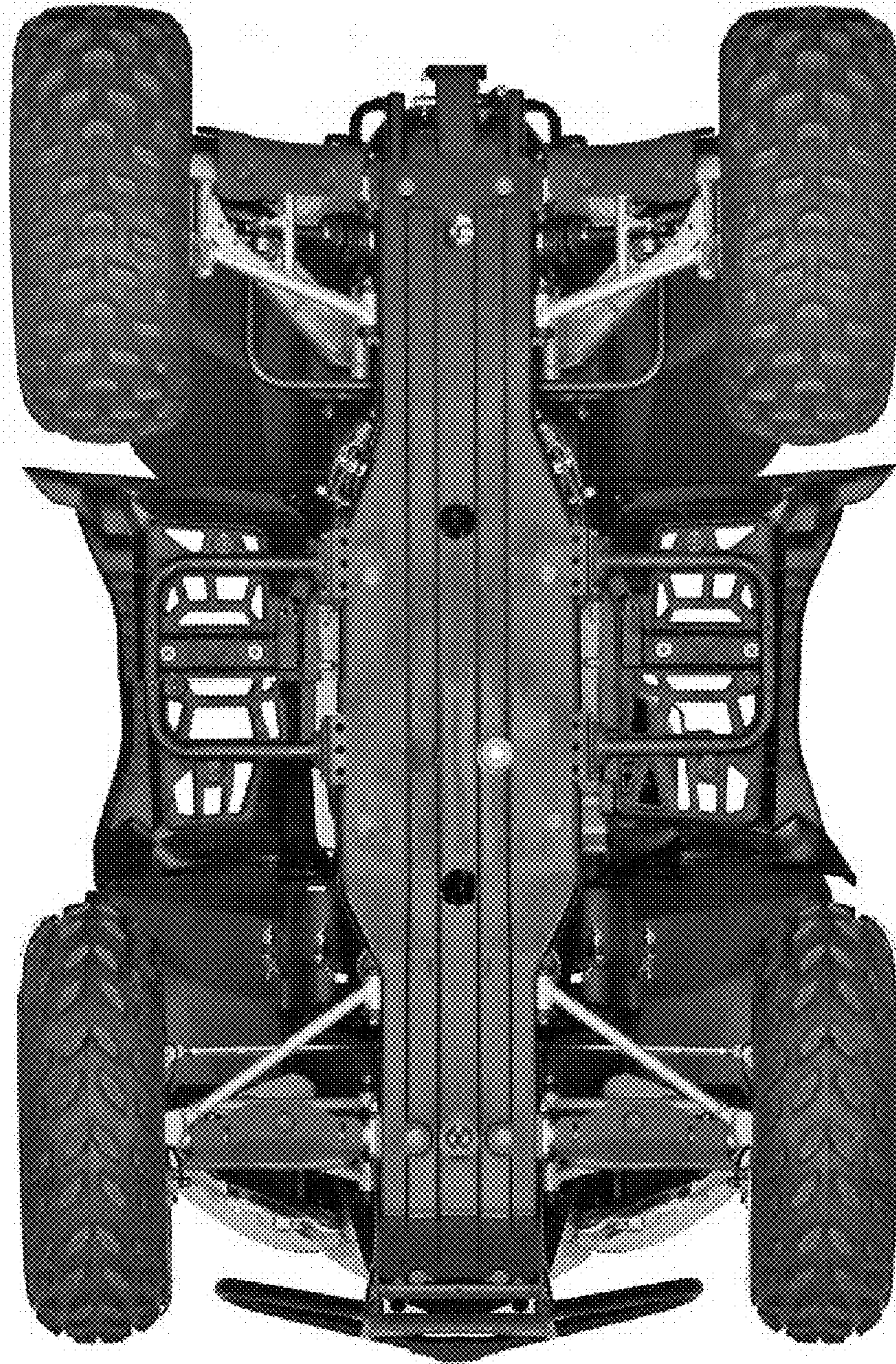


FIG.7