



US00D602391S

(12) **United States Design Patent**
Stein

(10) **Patent No.:** **US D602,391 S**

(45) **Date of Patent:** **** Oct. 20, 2009**

(54) **MODULAR LIGHT BAR**

(75) Inventor: **Paul L. Stein**, O'Fallon, MO (US)

(73) Assignee: **Code 3, Inc.**, St. Louis, MO (US)

(**) Term: **14 Years**

(21) Appl. No.: **29/334,274**

(22) Filed: **Mar. 24, 2009**

(51) **LOC (9) Cl.** **10-05**

(52) **U.S. Cl.** **D10/114**

(58) **Field of Classification Search** D26/28-36;
D10/114; 362/293, 362, 800; 340/815.45,
340/907, 908

See application file for complete search history.

(56) **References Cited**

U.S. PATENT DOCUMENTS

D345,315 S *	3/1994	Green et al.	D10/114
D355,142 S *	2/1995	Wagner	D10/114
D363,675 S *	10/1995	Sasaki et al.	D10/114
D410,402 S *	6/1999	Stein et al.	D10/114
D545,230 S *	6/2007	Jalala	D10/114
D578,425 S *	10/2008	Shin	D10/114

D585,318 S * 1/2009 Jalala D10/114

* cited by examiner

Primary Examiner—Marcus A. Jackson

(74) *Attorney, Agent, or Firm*—Senniger Powers

(57) **CLAIM**

The ornamental design for a modular light bar, as shown and described.

DESCRIPTION

FIG. 1 is a perspective view of a modular light bar of my new design.

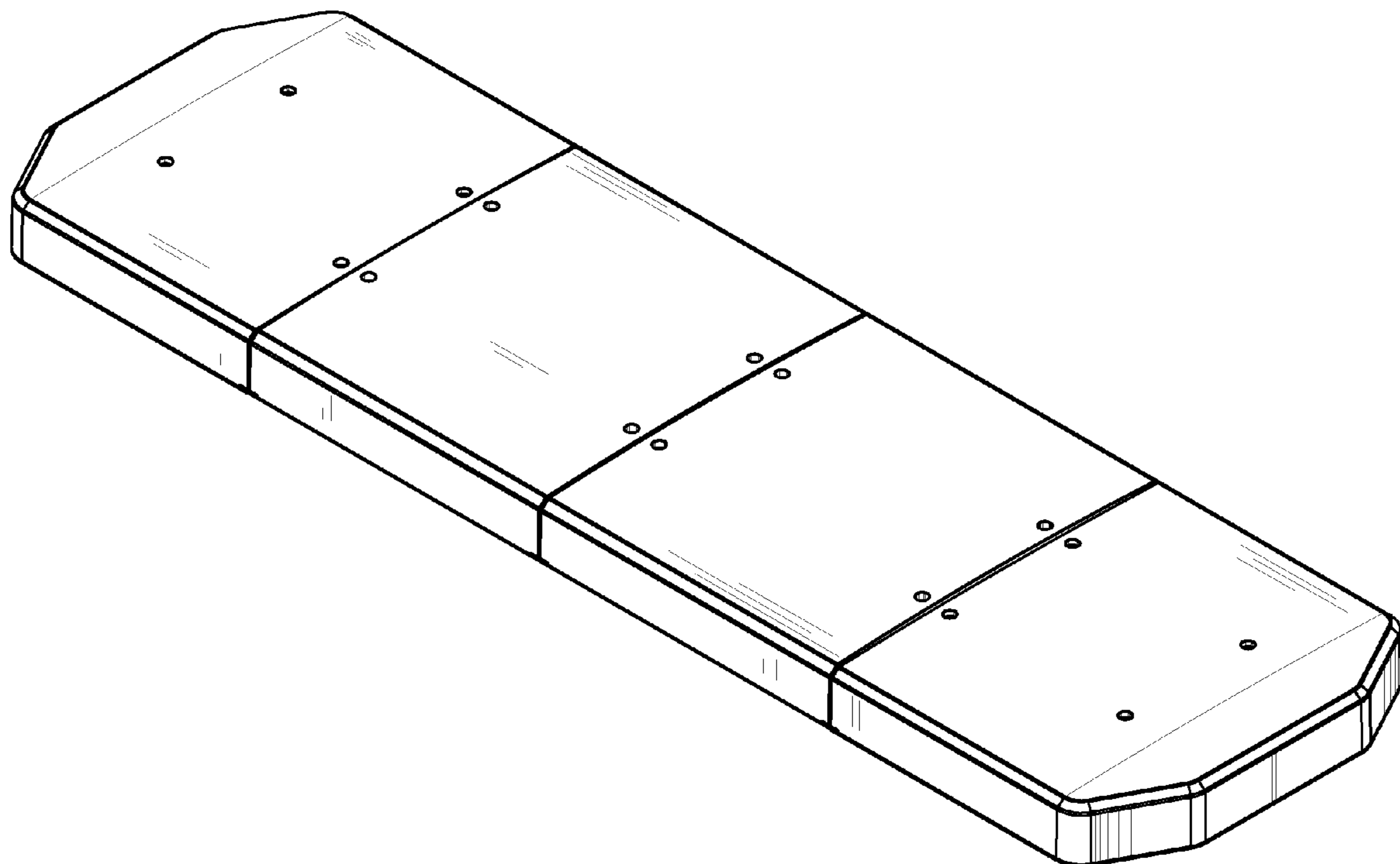
FIG. 2 is a front elevational view of the modular light bar of FIG. 1, the rear elevational view being a mirror image of the front elevational view.

FIG. 3 is a right side elevational view of the modular light bar of FIG. 1, the left side elevational view being a mirror image of the right side elevational view.

FIG. 4 is a top plan view of the modular light bar of FIG. 1; and,

FIG. 5 is a bottom plan view of the modular light bar of FIG. 1.

1 Claim, 5 Drawing Sheets



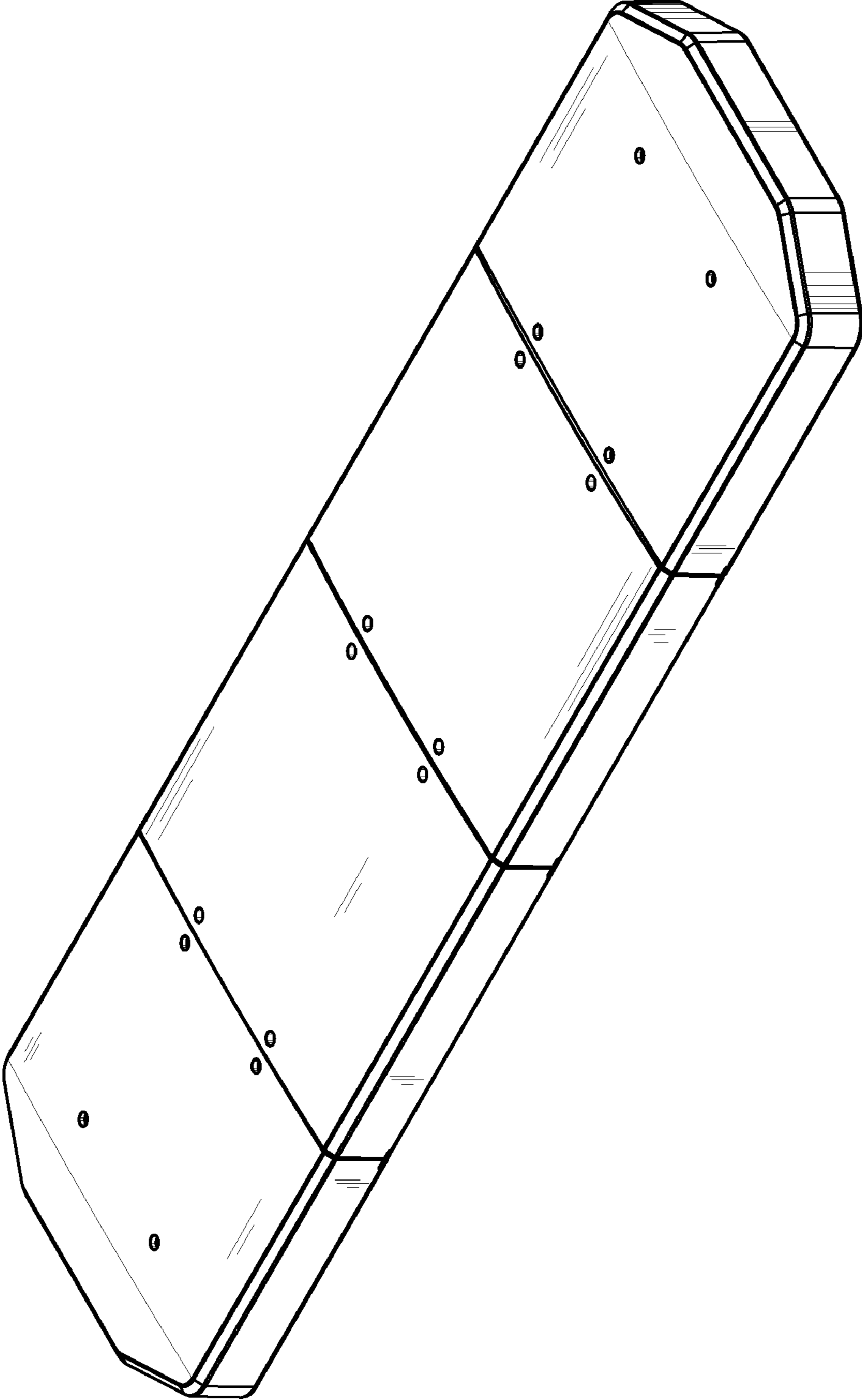


FIG. 1

FIG. 2



FIG. 3



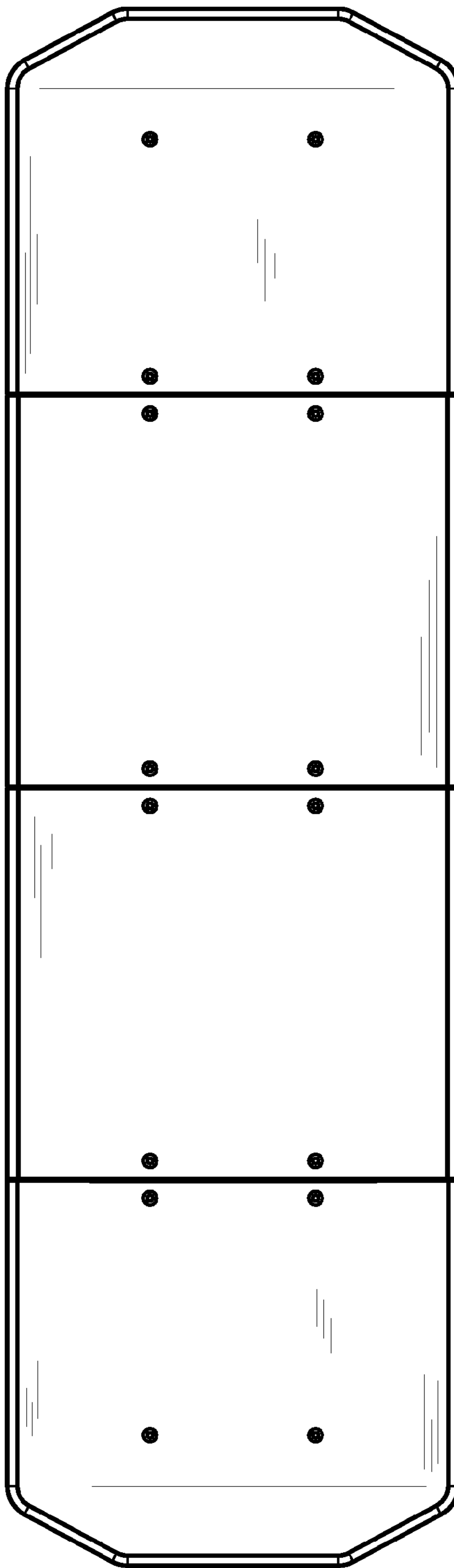


FIG. 4

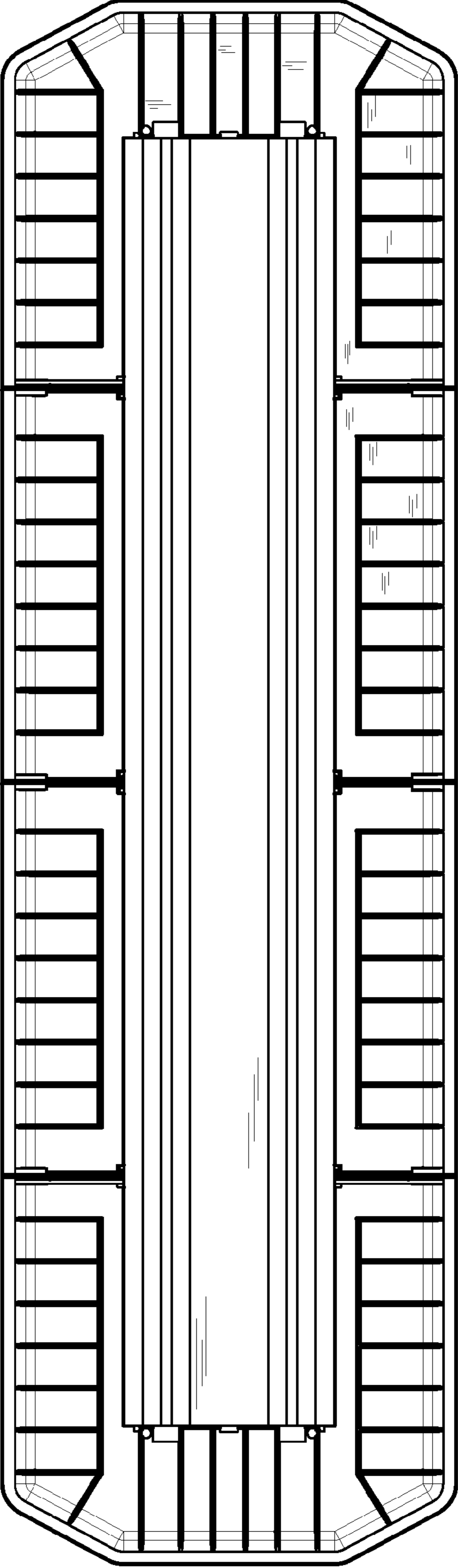


FIG. 5