



US00D602389S

(12) **United States Design Patent**
Gilman et al.

(10) **Patent No.:** **US D602,389 S**

(45) **Date of Patent:** **** Oct. 20, 2009**

(54) **MOORING BUOY**

(76) Inventors: **Richard Gilman**, 40 Gilman Rd., P.O.
Box 21, Gilman, CT (US) 06336;
Elizabeth Gilman, 40 Gilman Rd., P.O.
Box 21, Gilman, CT (US) 06336

(**) Term: **14 Years**

(21) Appl. No.: **29/324,642**

(22) Filed: **Sep. 17, 2008**

(51) **LOC (9) Cl.** **10-05**

(52) **U.S. Cl.** **D10/107**

(58) **Field of Classification Search** D10/109,
D10/113, 114, 107; D20/10, 39-43; 116/63 R,
116/63 P, 63 T, 63 C, 28 R, 209; 40/584,
40/606, 607, 608, 611, 612; 404/4-16; D22/135,
D22/145; 441/2, 343, 16, 22, 115, 1
See application file for complete search history.

(56) **References Cited**

U.S. PATENT DOCUMENTS

546,057	A *	9/1895	Richard	441/1
1,921,500	A *	8/1933	Blake	441/3
4,729,746	A *	3/1988	Takemae	441/1
4,846,446	A *	7/1989	Peppel et al.	254/277
6,123,593	A *	9/2000	Mercer	441/26

6,718,900	B2 *	4/2004	Carter	114/257
6,990,765	B1 *	1/2006	Beech	43/55
2003/0182876	A1 *	10/2003	Landers	52/101
2003/0226489	A1 *	12/2003	Carter	114/257
2005/0170718	A1 *	8/2005	Rogerson	441/3
2006/0159523	A1 *	7/2006	Dixon et al.	405/162

* cited by examiner

Primary Examiner—Caron Veynar

Assistant Examiner—George D Kirschbaum

(74) *Attorney, Agent, or Firm*—McCormick, Paulding & Huber LLP

(57) **CLAIM**

The ornamental design for a mooring buoy, substantially as shown and described.

DESCRIPTION

FIG. 1 is a top, front perspective view of a mooring buoy showing our new, original and ornamental design;

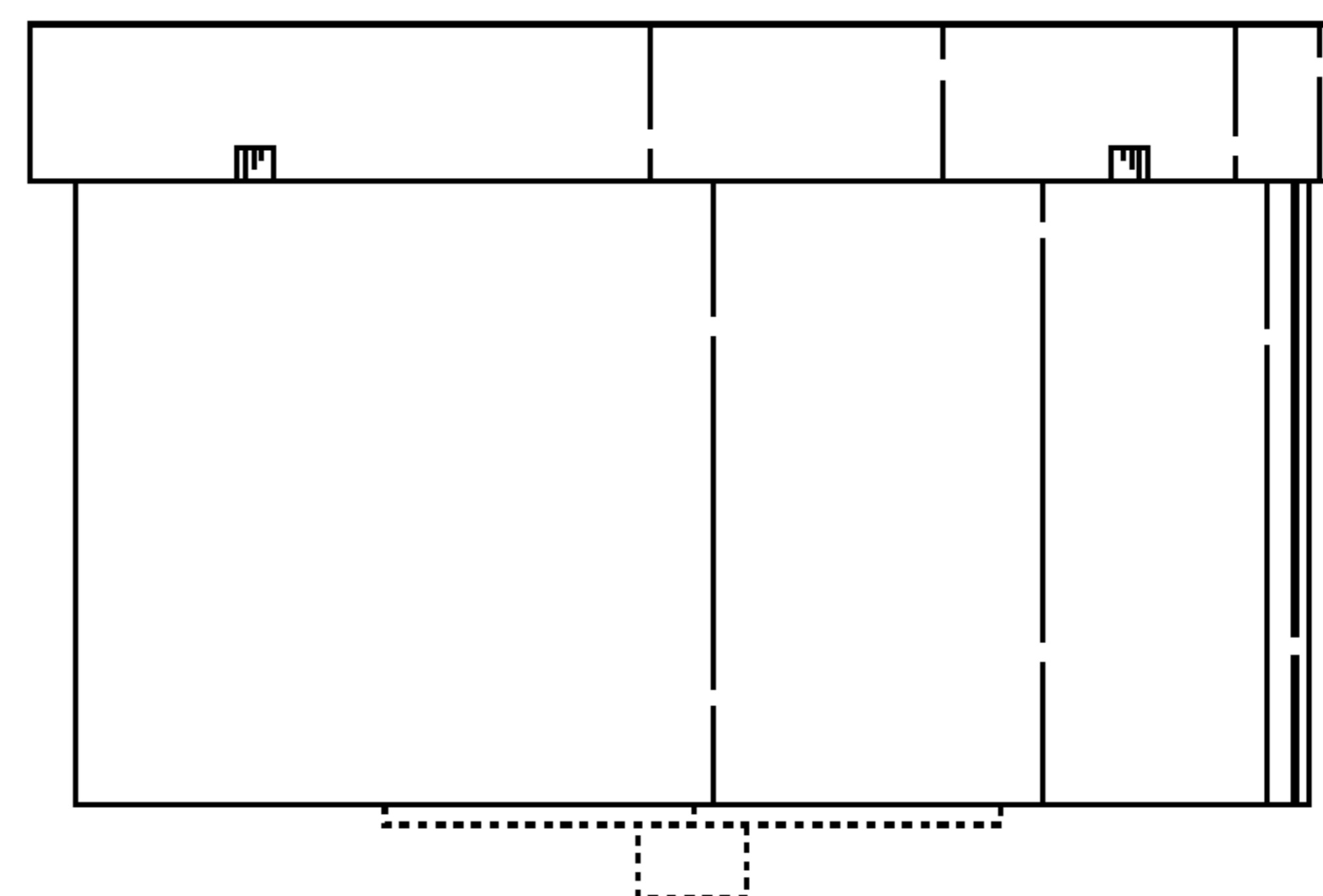
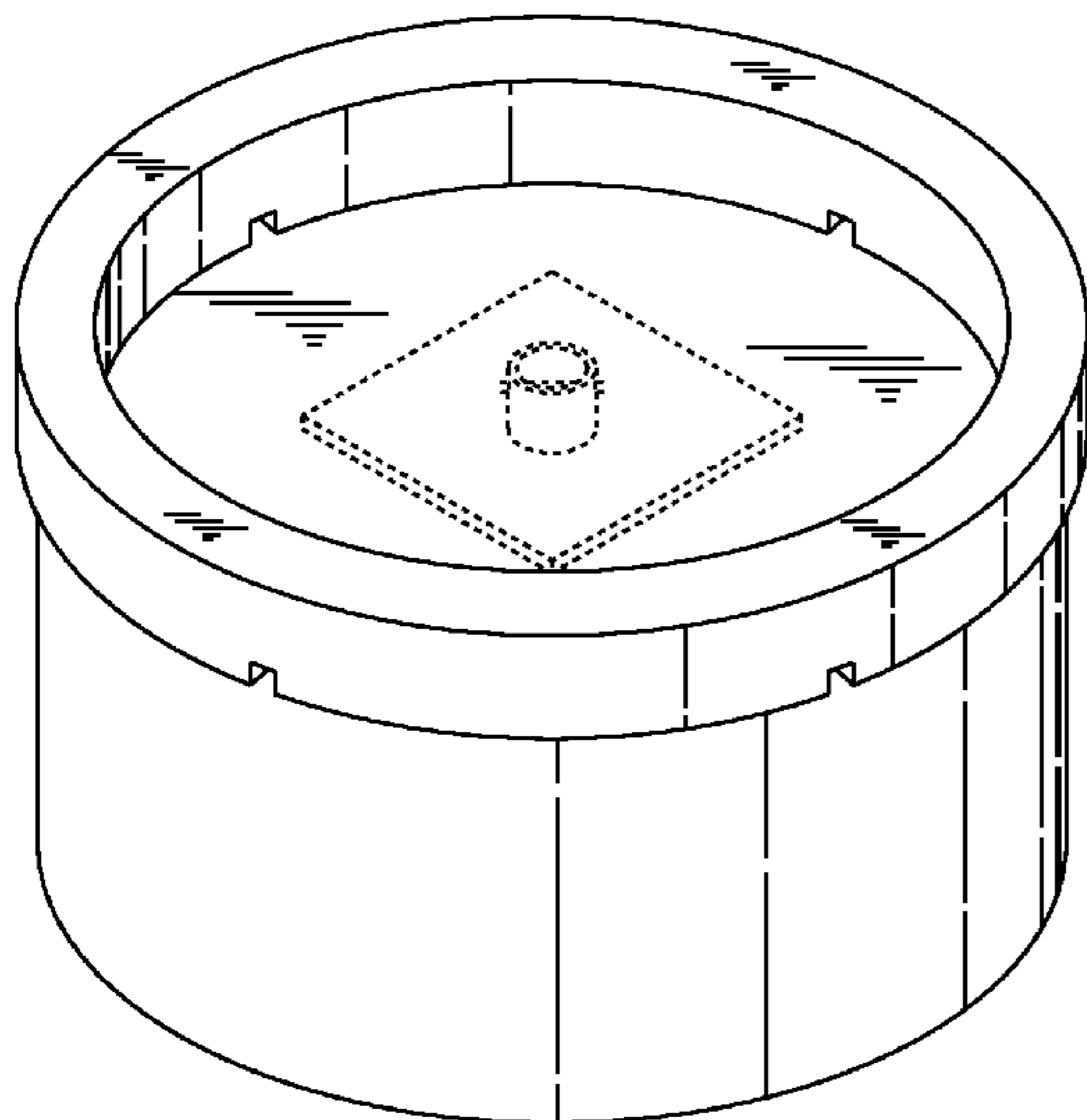
FIG. 2 is a front view thereof;

FIG. 3 is a top view thereof; and,

FIG. 4 is a bottom view thereof.

The broken lines depict unclaimed environmental subject matter.

1 Claim, 2 Drawing Sheets



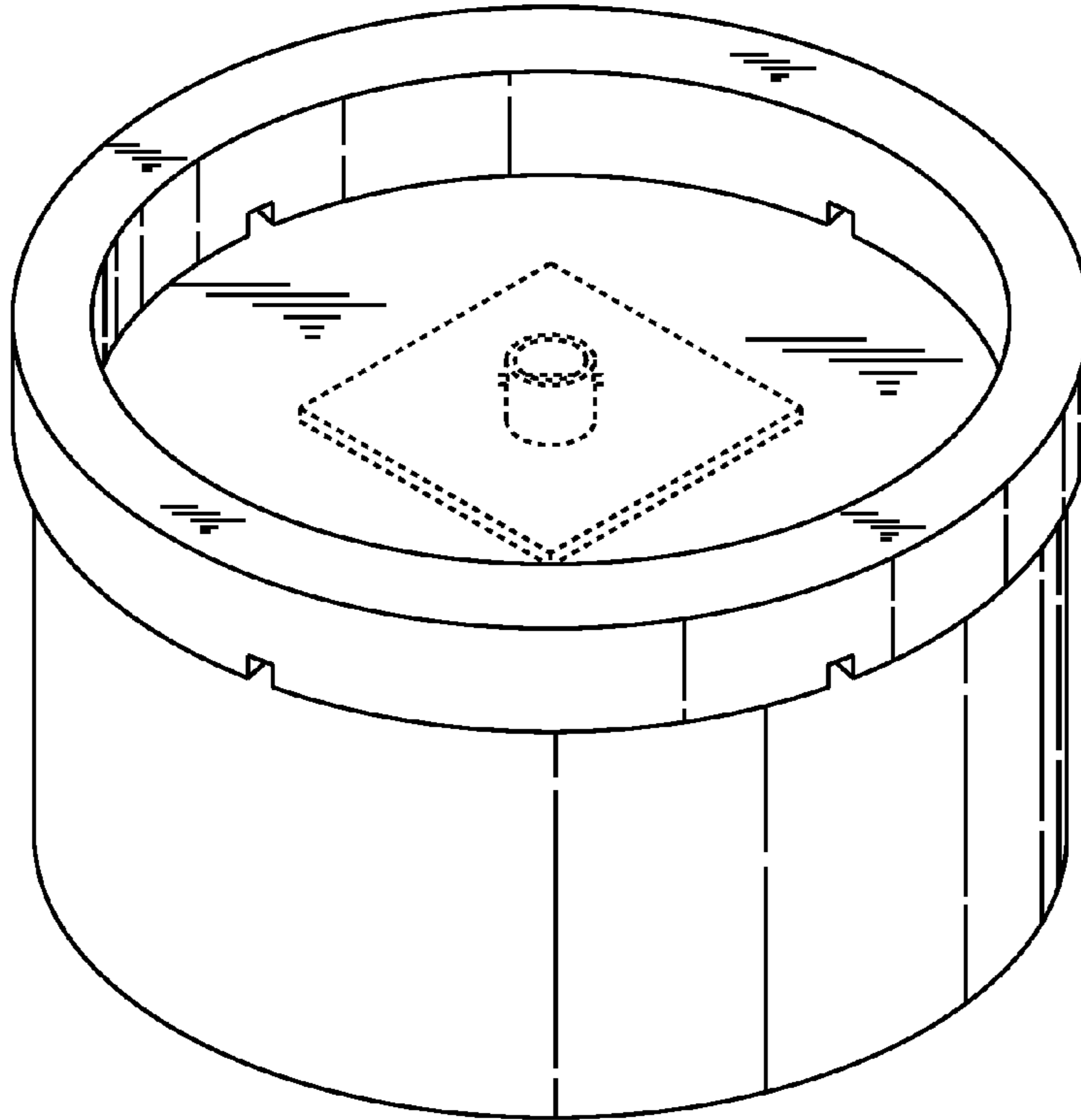


FIG. 1

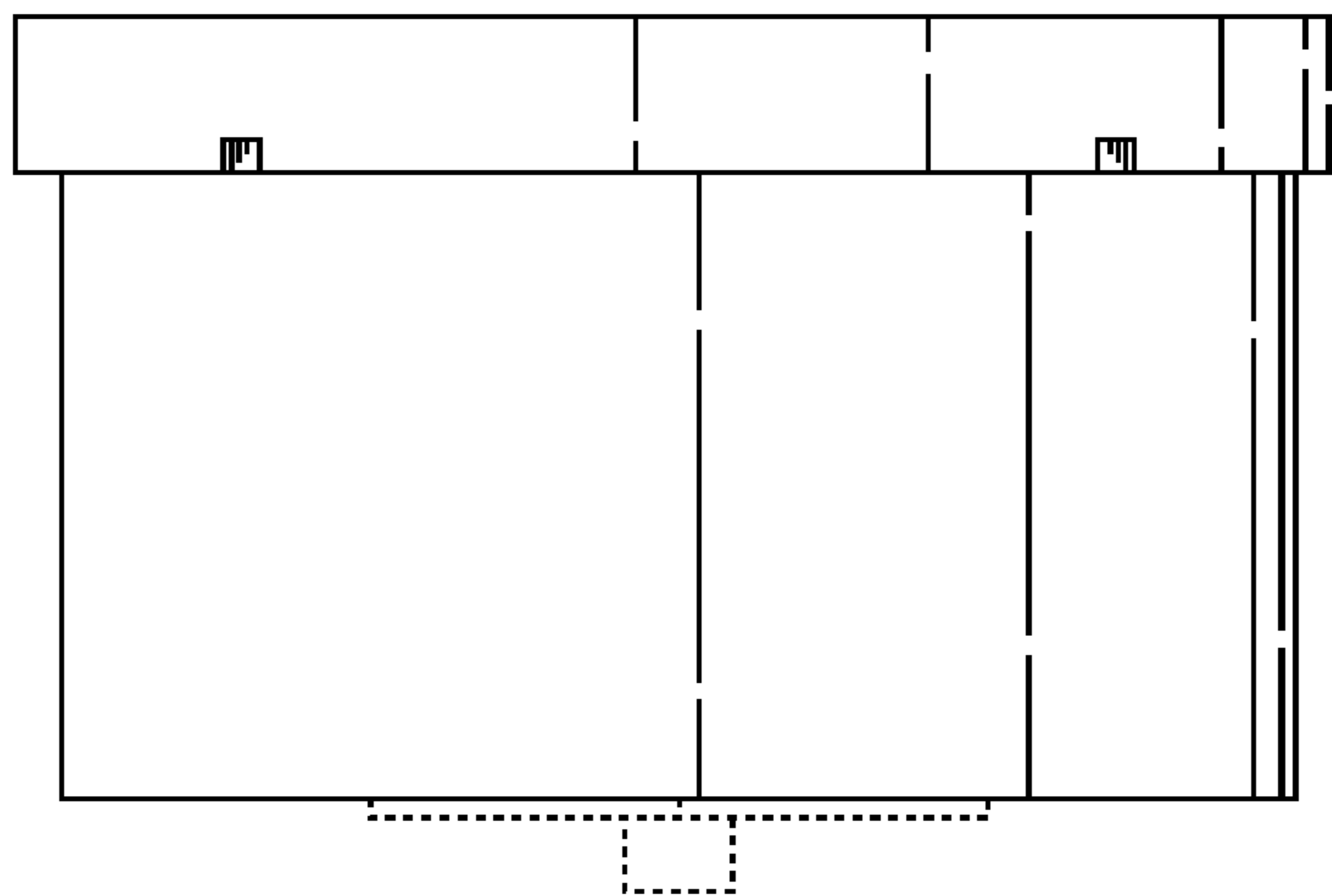


FIG. 2

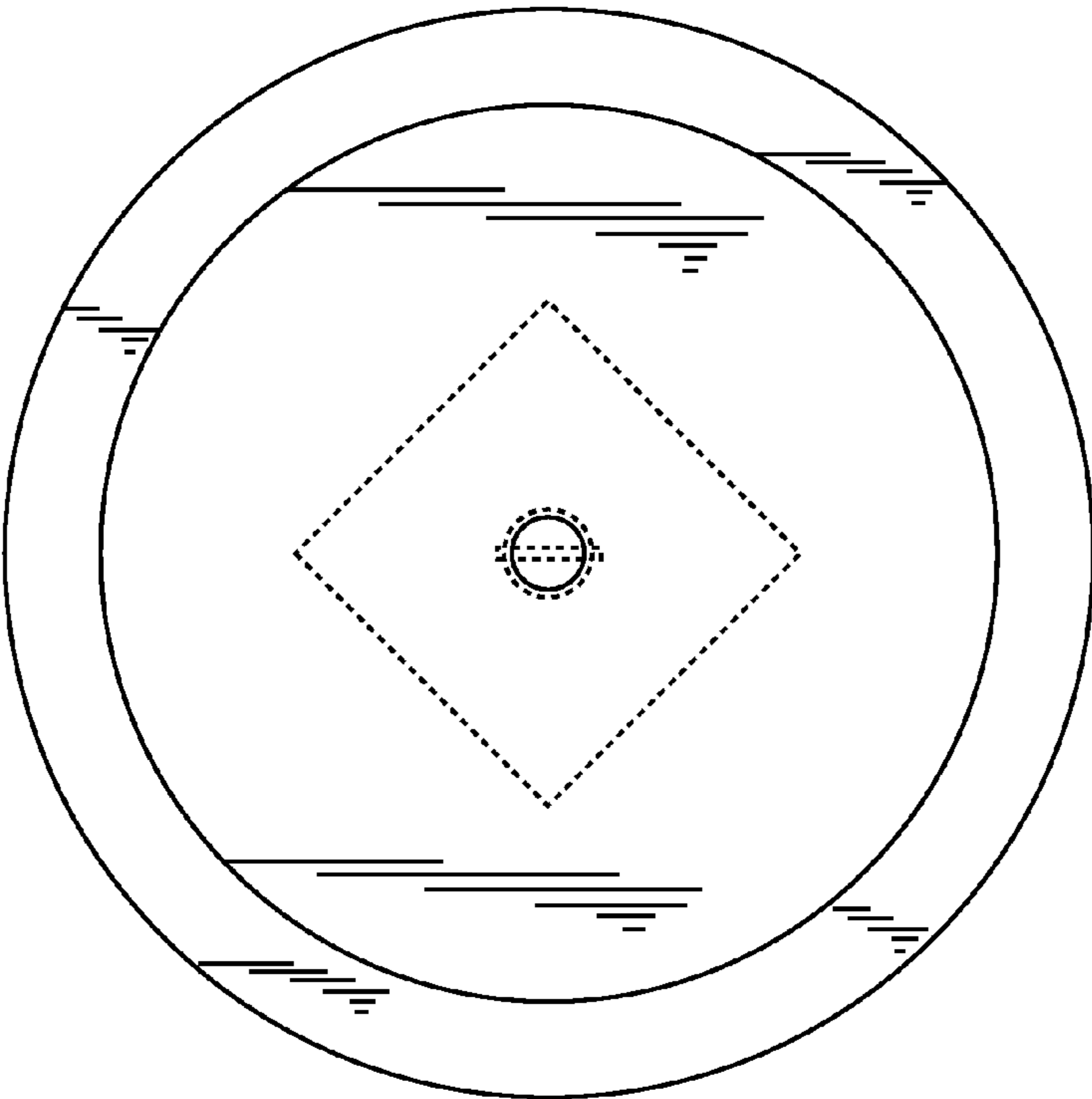


FIG. 3

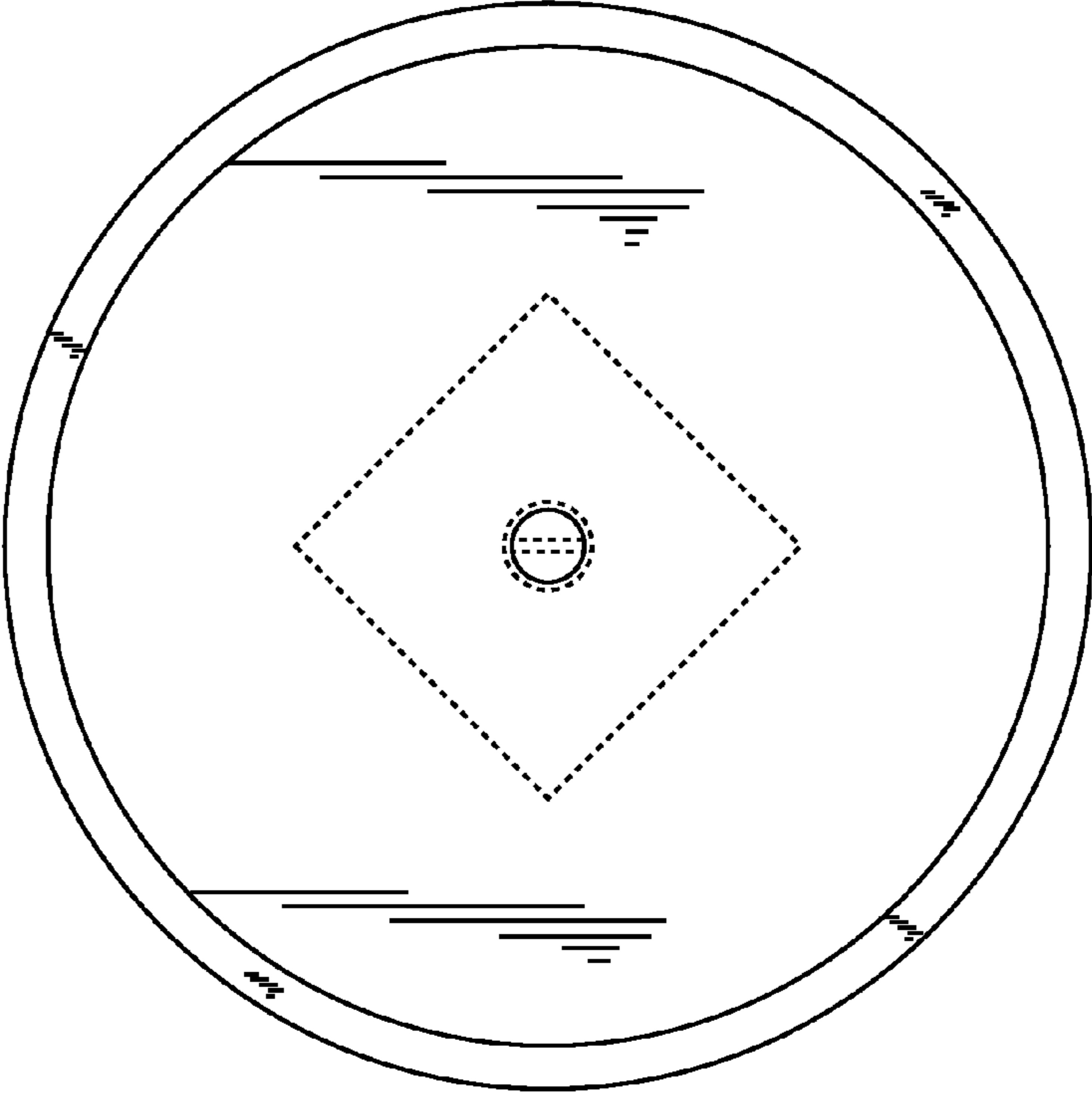


FIG. 4