



US00D602386S

(12) **United States Design Patent**  
**Ueda et al.**

(10) **Patent No.:** **US D602,386 S**  
(45) **Date of Patent:** **\*\* Oct. 20, 2009**

(54) **SPEEDOMETER FOR A BICYCLE**  
(75) Inventors: **Takashi Ueda**, Osaka (JP); **Toshiyuki Nagano**, Osaka (JP)  
(73) Assignee: **Cateye Co., Ltd.**, Osaka (JP)  
(\*\*) Term: **14 Years**  
(21) Appl. No.: **29/310,255**  
(22) Filed: **Aug. 5, 2008**  
(30) **Foreign Application Priority Data**  
Feb. 19, 2008 (JP) ..... 2008-003579

(51) **LOC (9) Cl.** ..... **10-04**  
(52) **U.S. Cl.** ..... **D10/98; D10/32**  
(58) **Field of Classification Search** ..... D10/30-32,  
D10/70, 98; 224/3 R, 3 A, 32, 36, 38, 41;  
368/10-12, 14, 107-113, 278, 281, 282,  
368/316, 317  
See application file for complete search history.

(56) **References Cited**  
**U.S. PATENT DOCUMENTS**  
D300,610 S \* 4/1989 Machida ..... D10/98  
D455,093 S \* 4/2002 Fitzgerald ..... D10/98

D482,340 S \* 11/2003 Cianfanelli ..... D10/32  
D508,038 S \* 8/2005 Bonadei ..... D10/32  
D538,687 S \* 3/2007 Komulainen ..... D10/70  
D586,674 S \* 2/2009 Solarewicz ..... D10/70  
D591,620 S \* 5/2009 Giannini ..... D10/32

\* cited by examiner

*Primary Examiner*—Antoine D Davis  
(74) *Attorney, Agent, or Firm*—Olson & Cepuritis, Ltd.

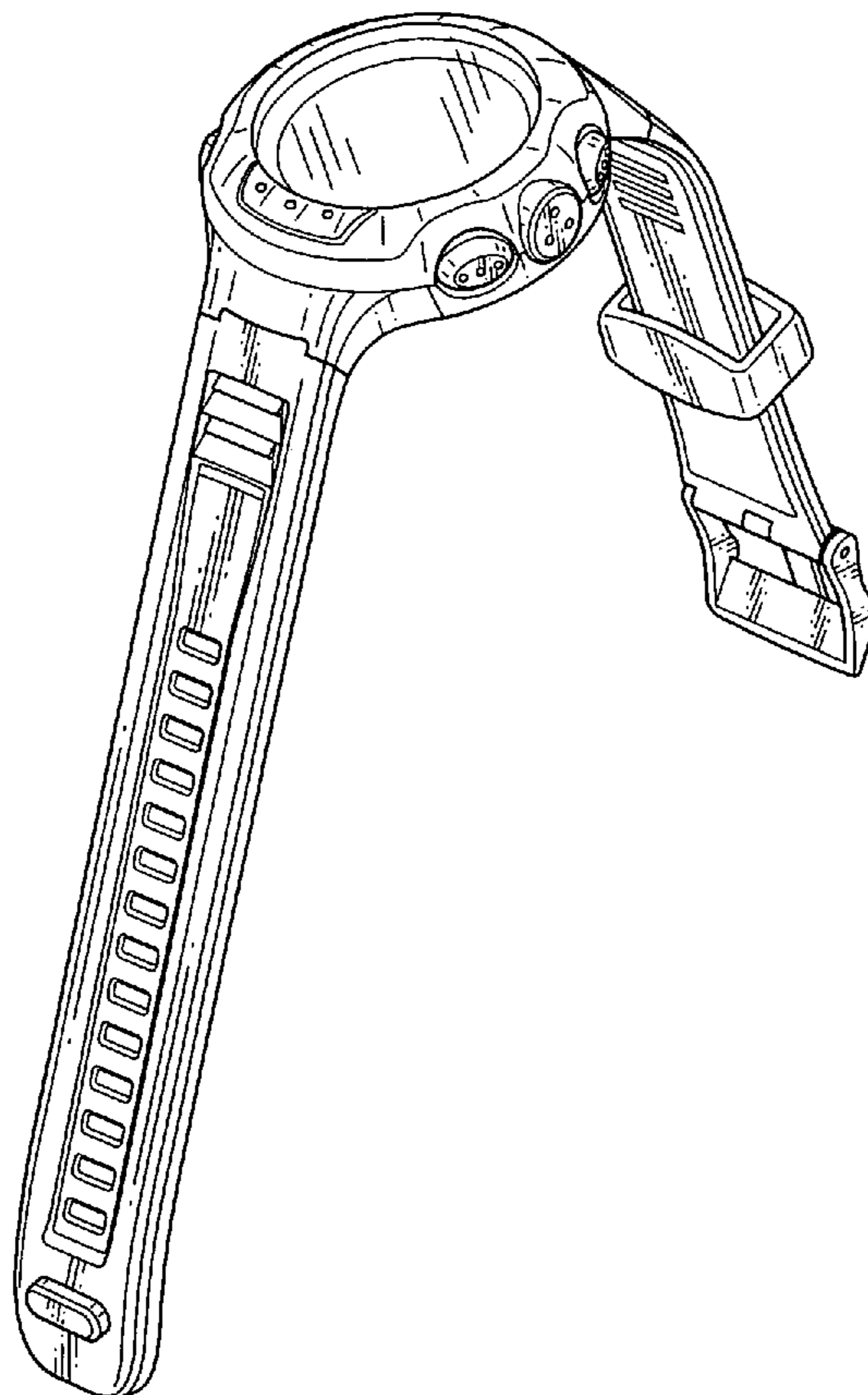
(57) **CLAIM**

The ornamental design for a speedometer for a bicycle, as shown.

**DESCRIPTION**

FIG. 1 is a perspective view of a speedometer for a bicycle showing our new design;  
FIG. 2 is a front view thereof;  
FIG. 3 is a rear view thereof;  
FIG. 4 is a top plan view thereof;  
FIG. 5 is a bottom plan view thereof;  
FIG. 6 is a right side view thereof; and,  
FIG. 7 is a left side view thereof.

**1 Claim, 5 Drawing Sheets**



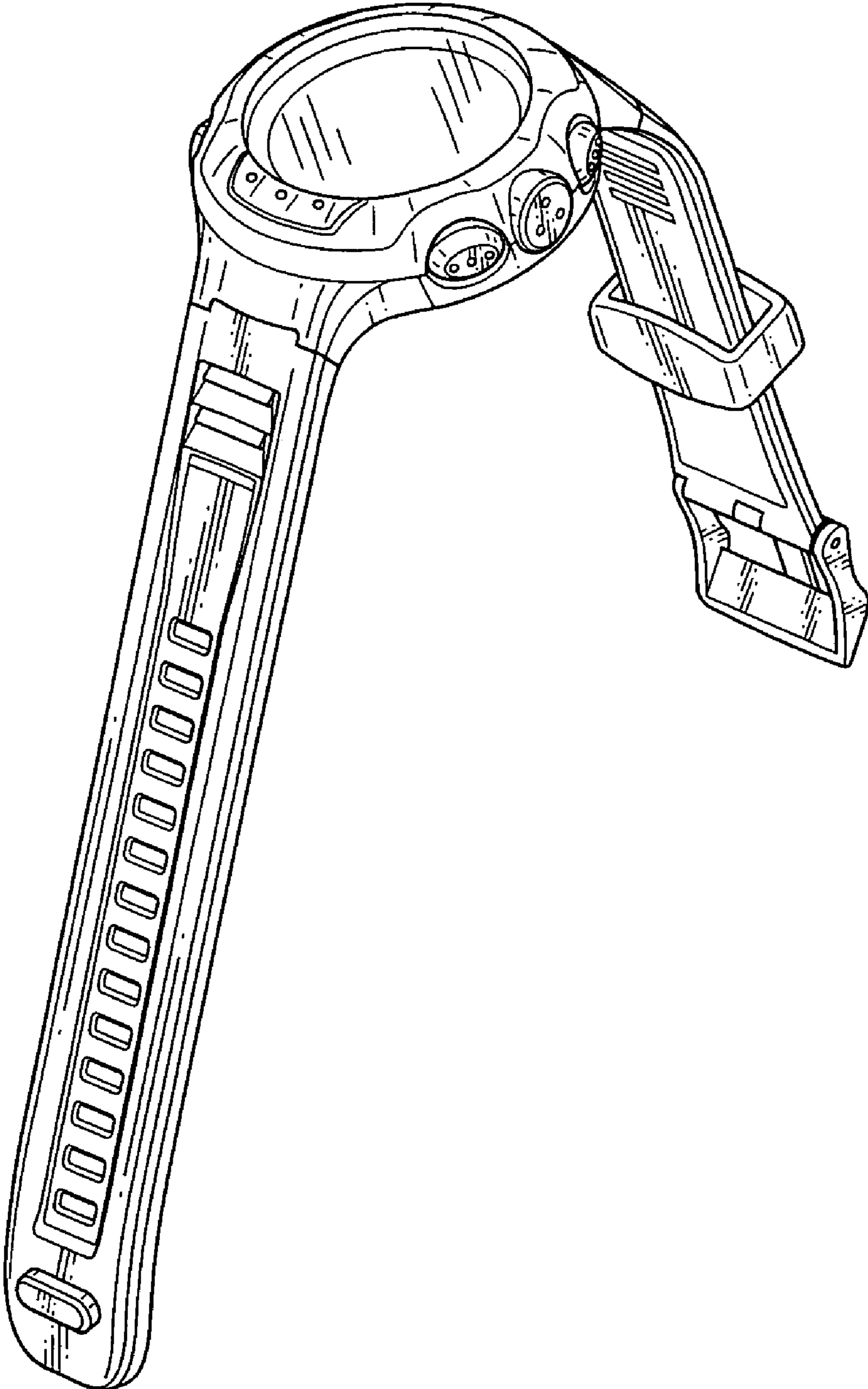


Fig. 1

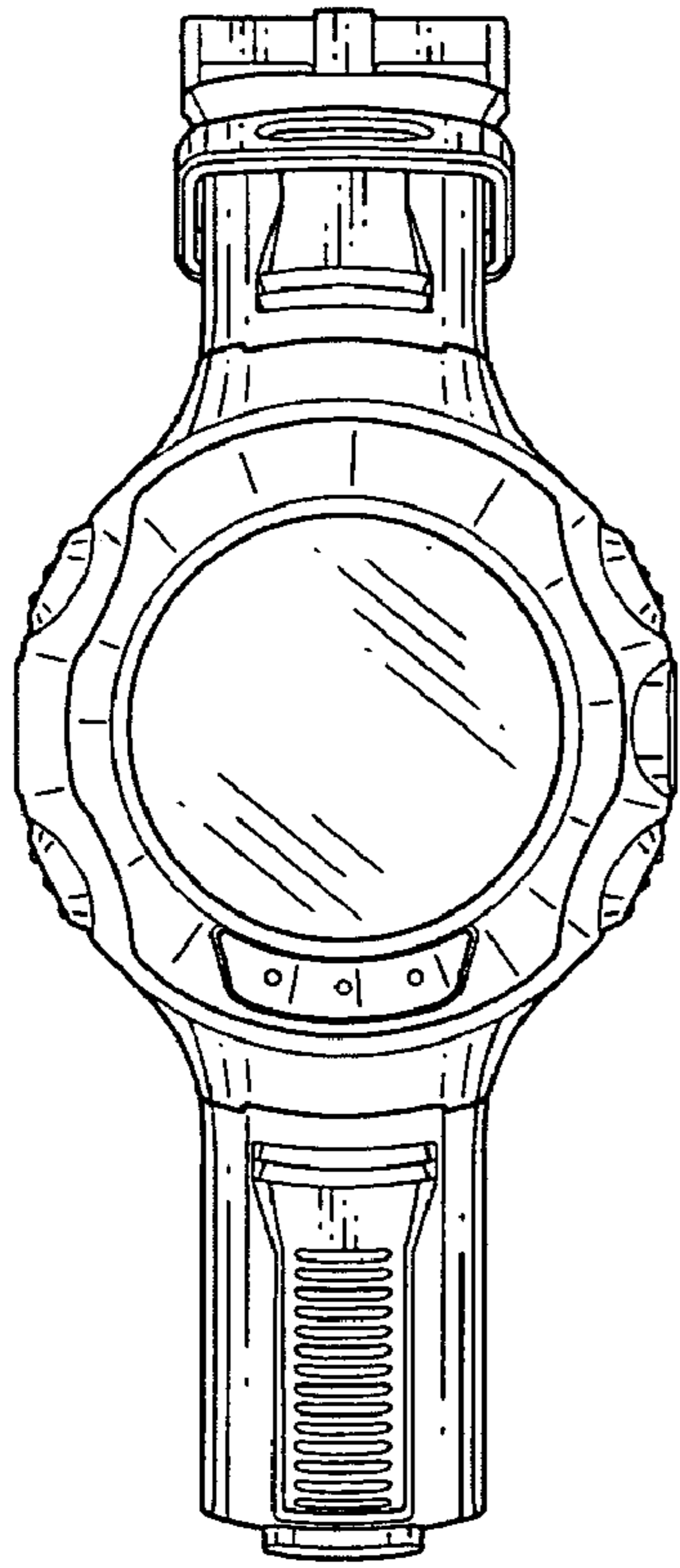


Fig. 2

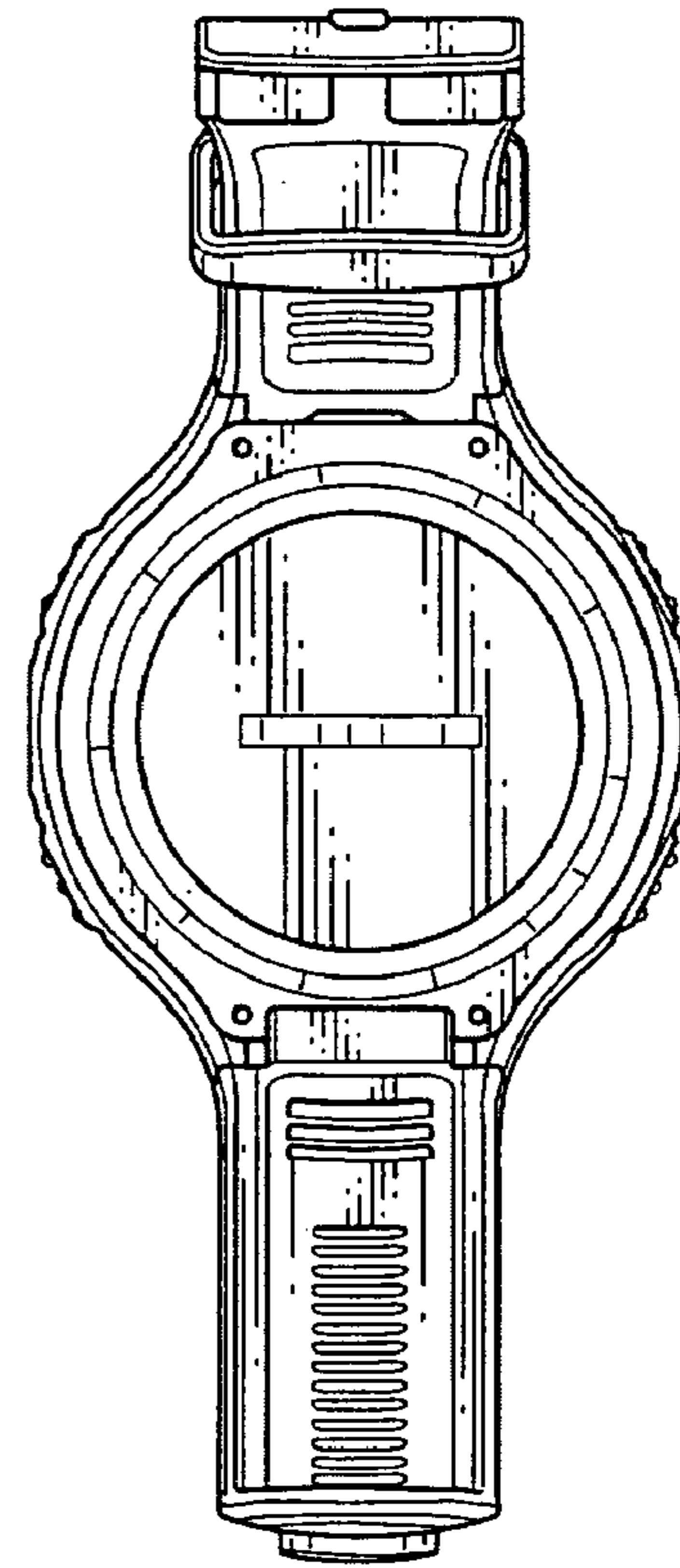


Fig. 3

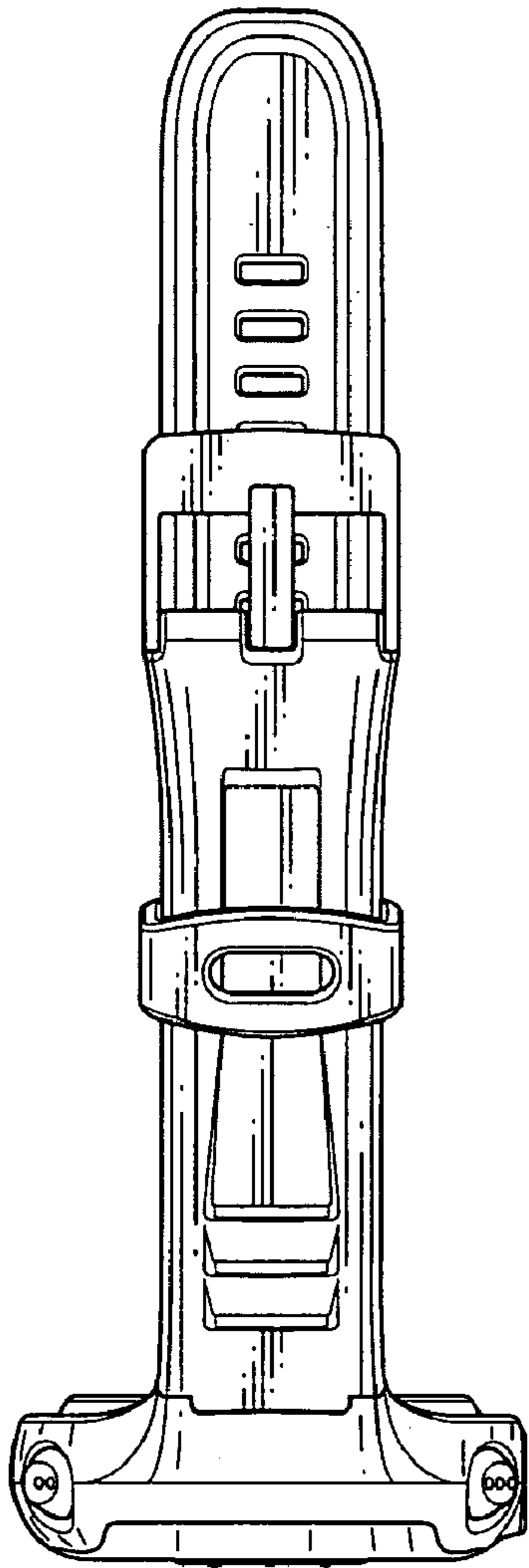


Fig. 4

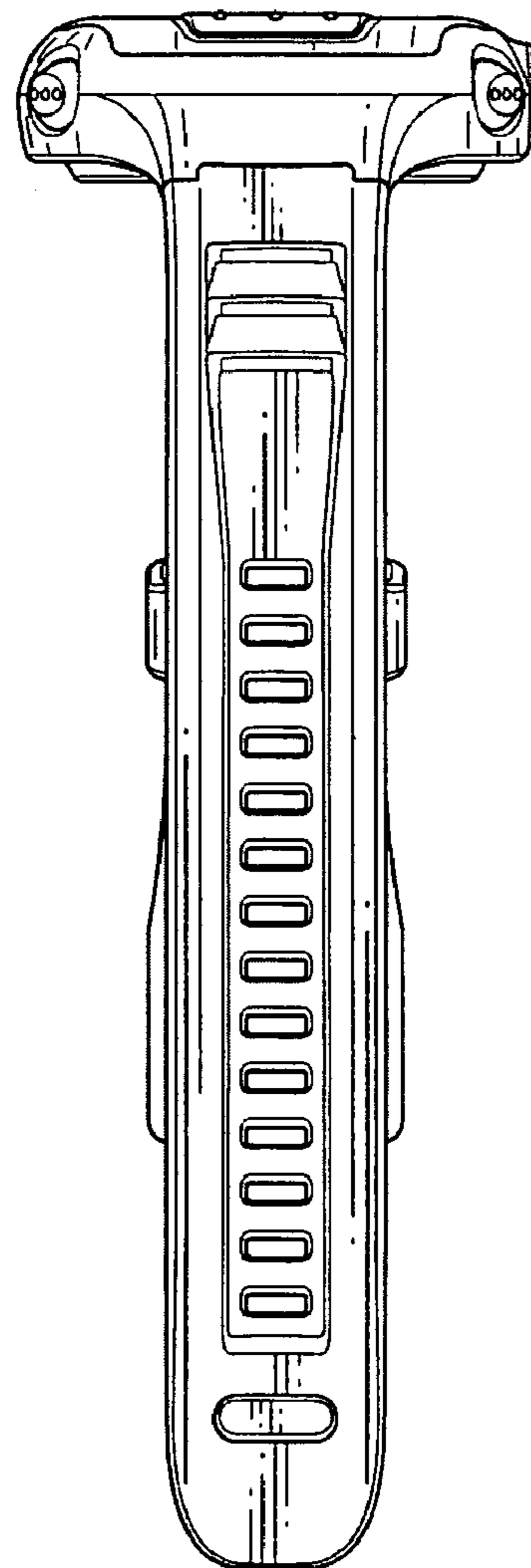


Fig. 5

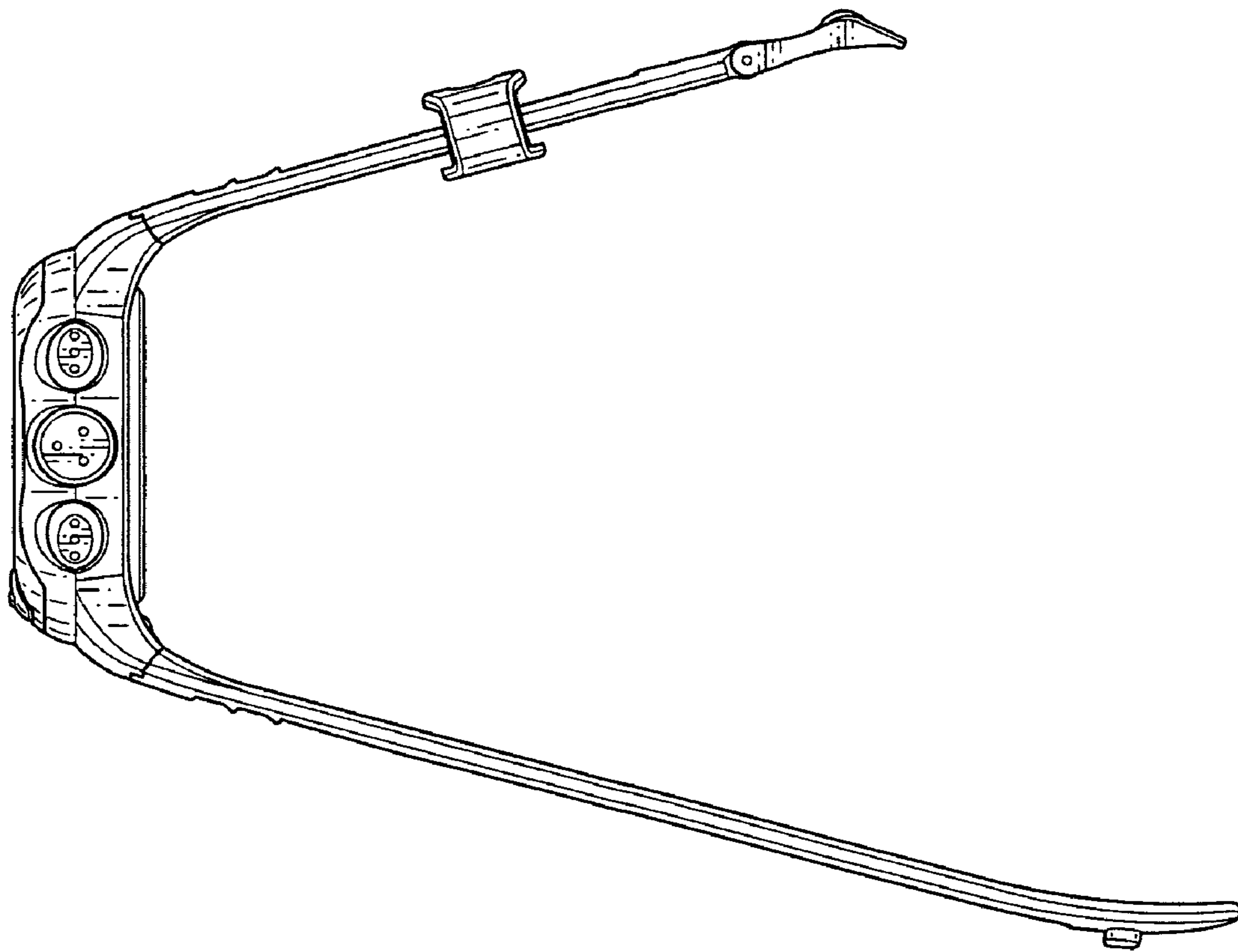


Fig. 6

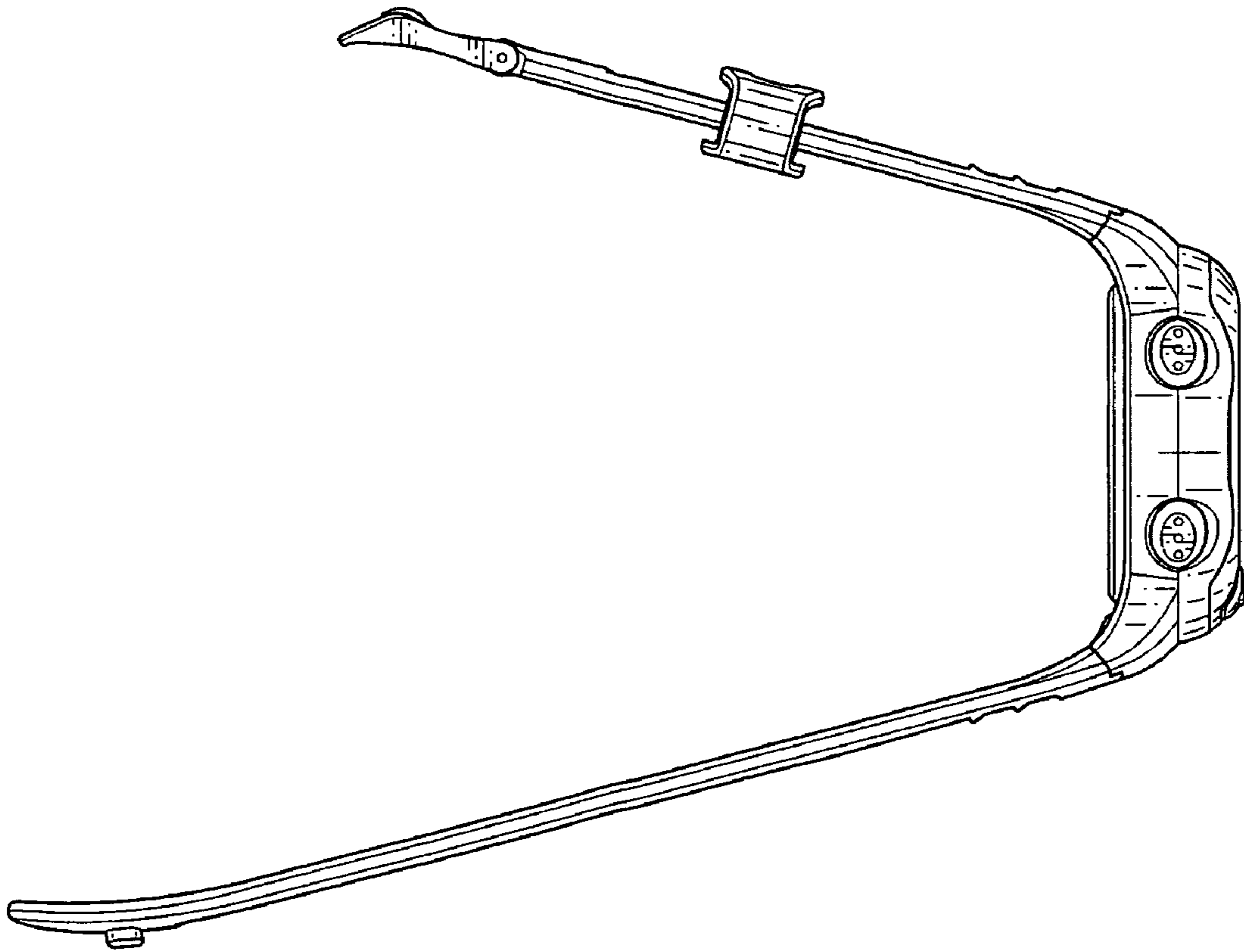


Fig. 7