



US00D602382S

(12) **United States Design Patent**  
**Kennedy et al.**

(10) **Patent No.:** **US D602,382 S**

(45) **Date of Patent:** **\*\* \*Oct. 20, 2009**

(54) **24V THERMOSTAT WITH 4" DISPLAY**

D556,609 S \* 12/2007 Rhodes ..... D10/50

(76) Inventors: **Kimberly A. Kennedy**, 4605  
Heidelberg, St. Louis, MO (US) 63123;  
**Jeffrey S. Edgar**, 3682 Hempstead St.,  
Saint Charles, MO (US) 63301

\* cited by examiner

*Primary Examiner*—Antoine D Davis

(\* ) Notice: This patent is subject to a terminal disclaimer.

(57) **CLAIM**

(\*\*) Term: **14 Years**

We claim the ornamental design for 24V thermostat with 4" display, as shown and described.

(21) Appl. No.: **29/283,108**

(22) Filed: **Aug. 6, 2007**

**DESCRIPTION**

(51) **LOC (9) Cl.** ..... **10-04**

(52) **U.S. Cl.** ..... **D10/50**

(58) **Field of Classification Search** ..... D10/49–50;  
236/5, 46 R–46 F, 47, 49.3, 51, 84, 94; 340/7.21–7.24,  
340/7.32, 825.6, 825.72, 539.1, 539.11, 539.14,  
340/539.21, 539.26, 426.21, 584, 589, 870.17;  
374/167; 400/485; 455/420, 226.1

See application file for complete search history.

FIG. 1 is a perspective view of a 24V thermostat with 4" display, showing my new design;

FIG. 2 is a front elevational view of the invention;

FIG. 3 is a rear elevational view of the invention;

FIG. 4 is a left-side elevational view of the invention;

FIG. 5 is a right-side elevational view of the invention;

FIG. 6 is a top plan view of the invention; and,

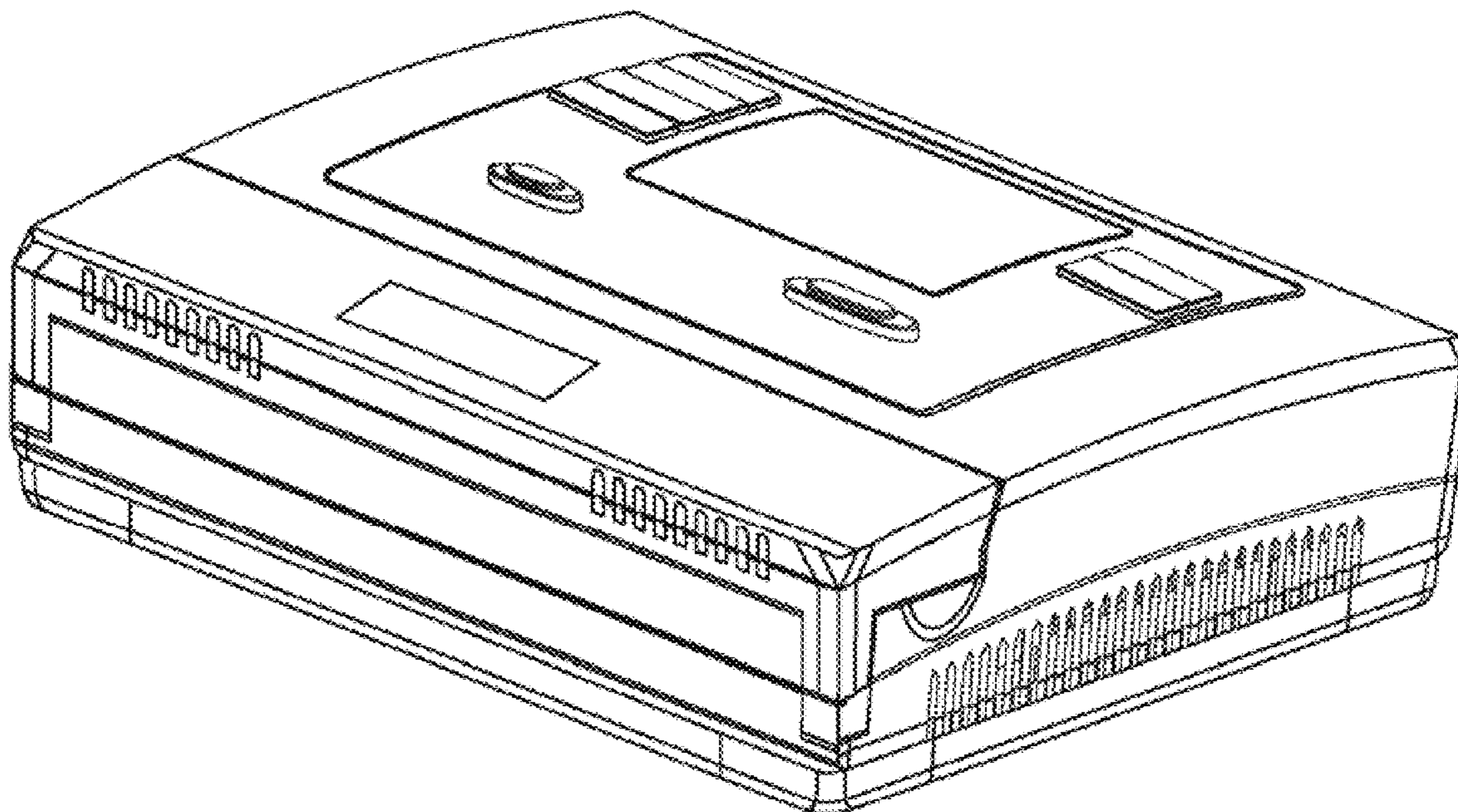
FIG. 7 is a bottom plan view of the invention.

(56) **References Cited**

**U.S. PATENT DOCUMENTS**

D431,199 S \* 9/2000 Bennett et al. .... D10/50

**1 Claim, 2 Drawing Sheets**



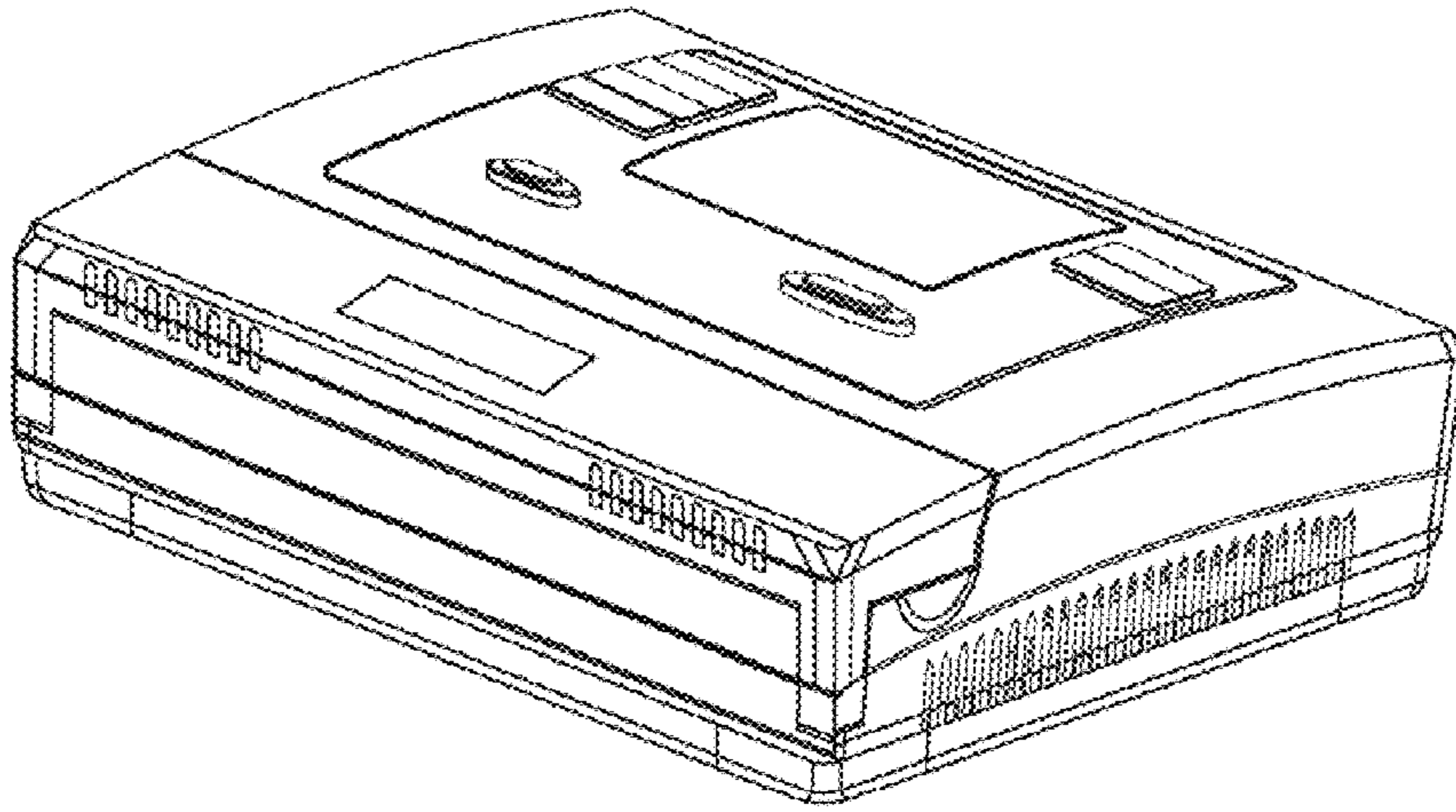


FIG. 1

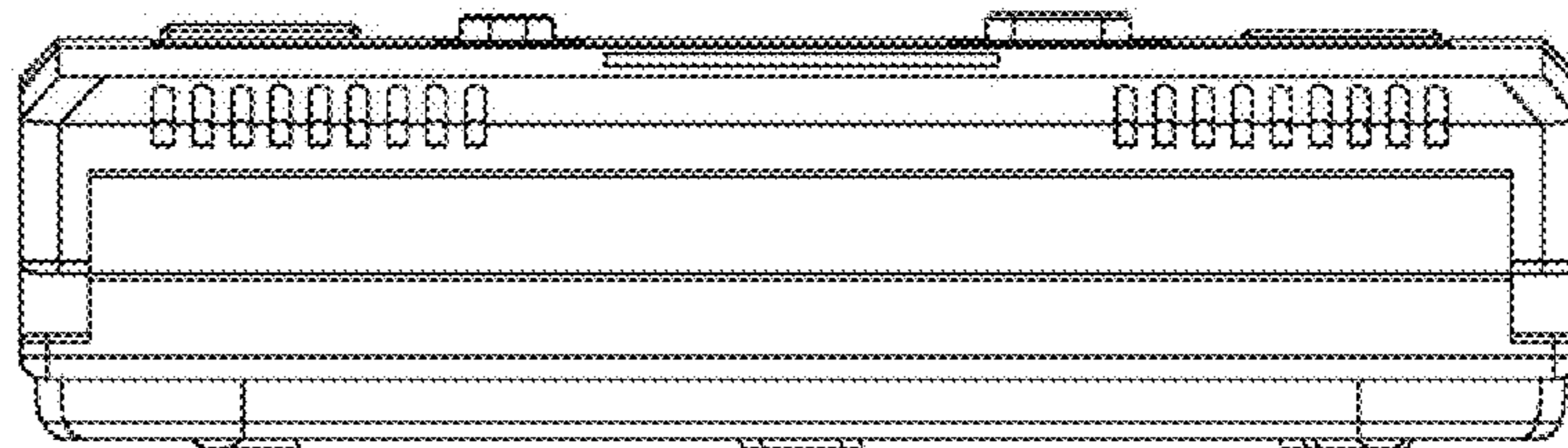


FIG. 2

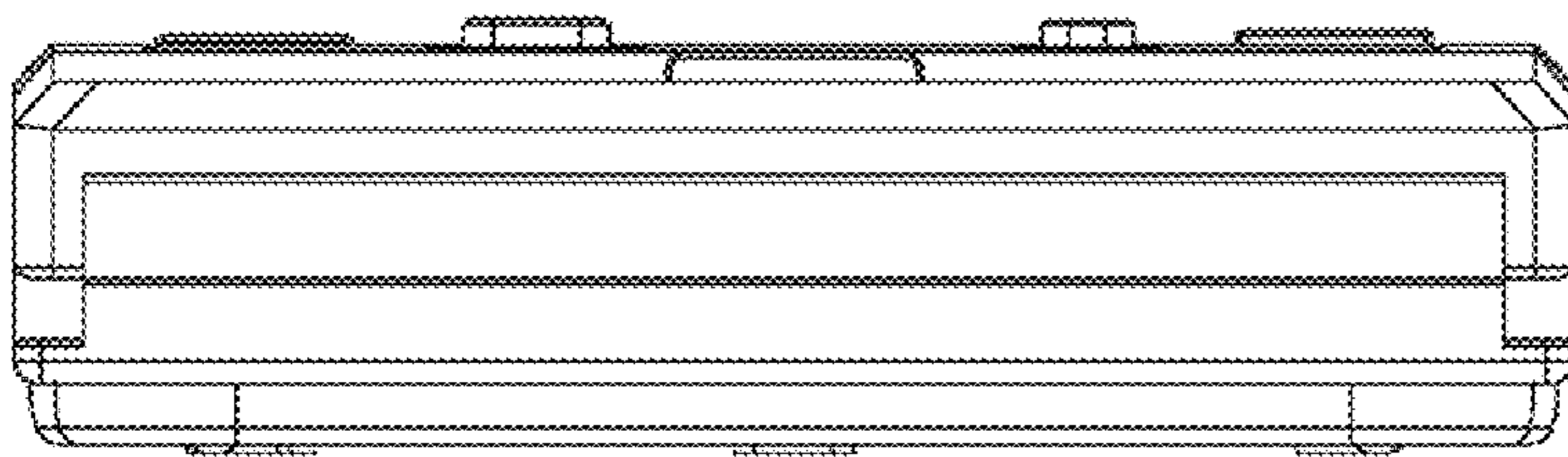


FIG. 3

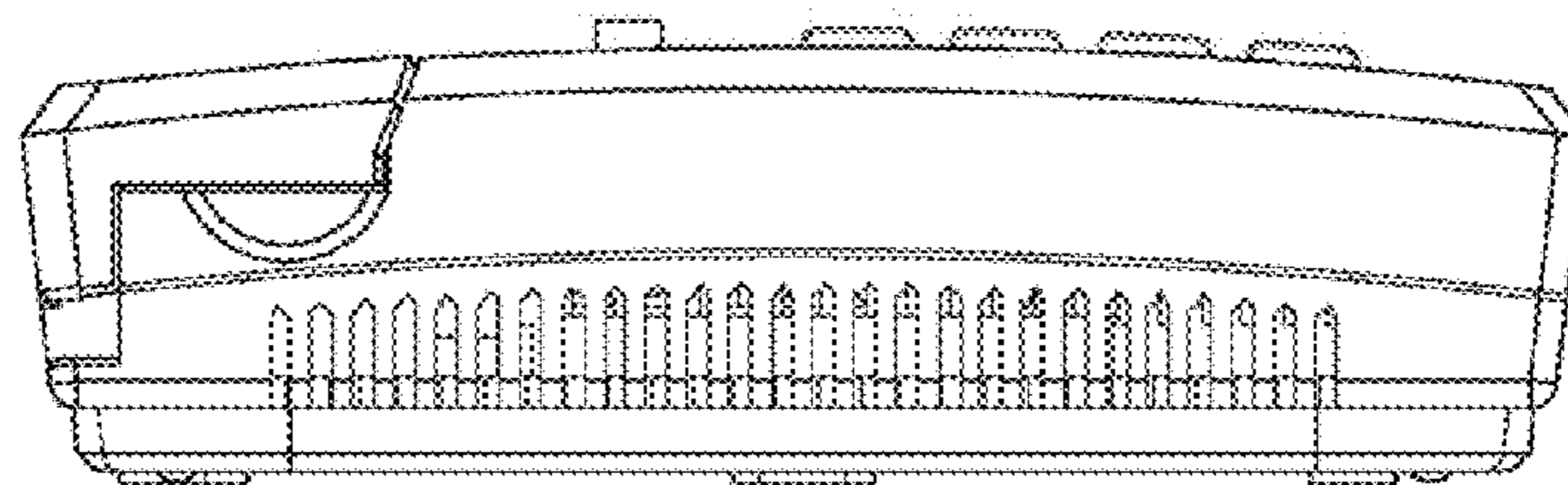


FIG. 4

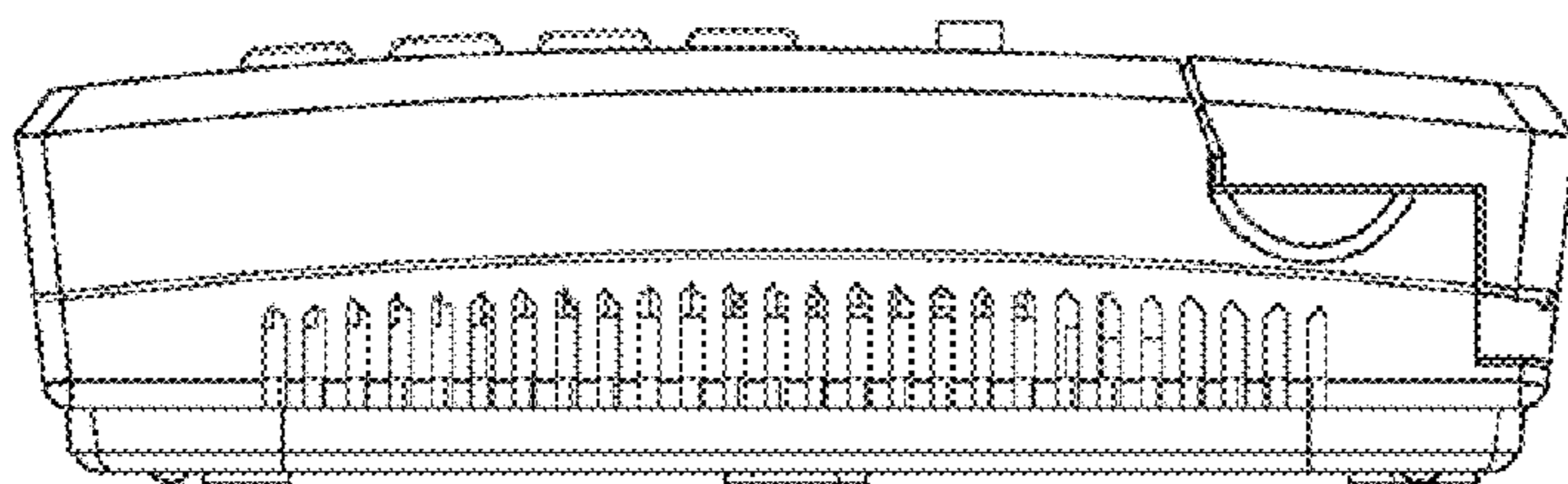


FIG. 5

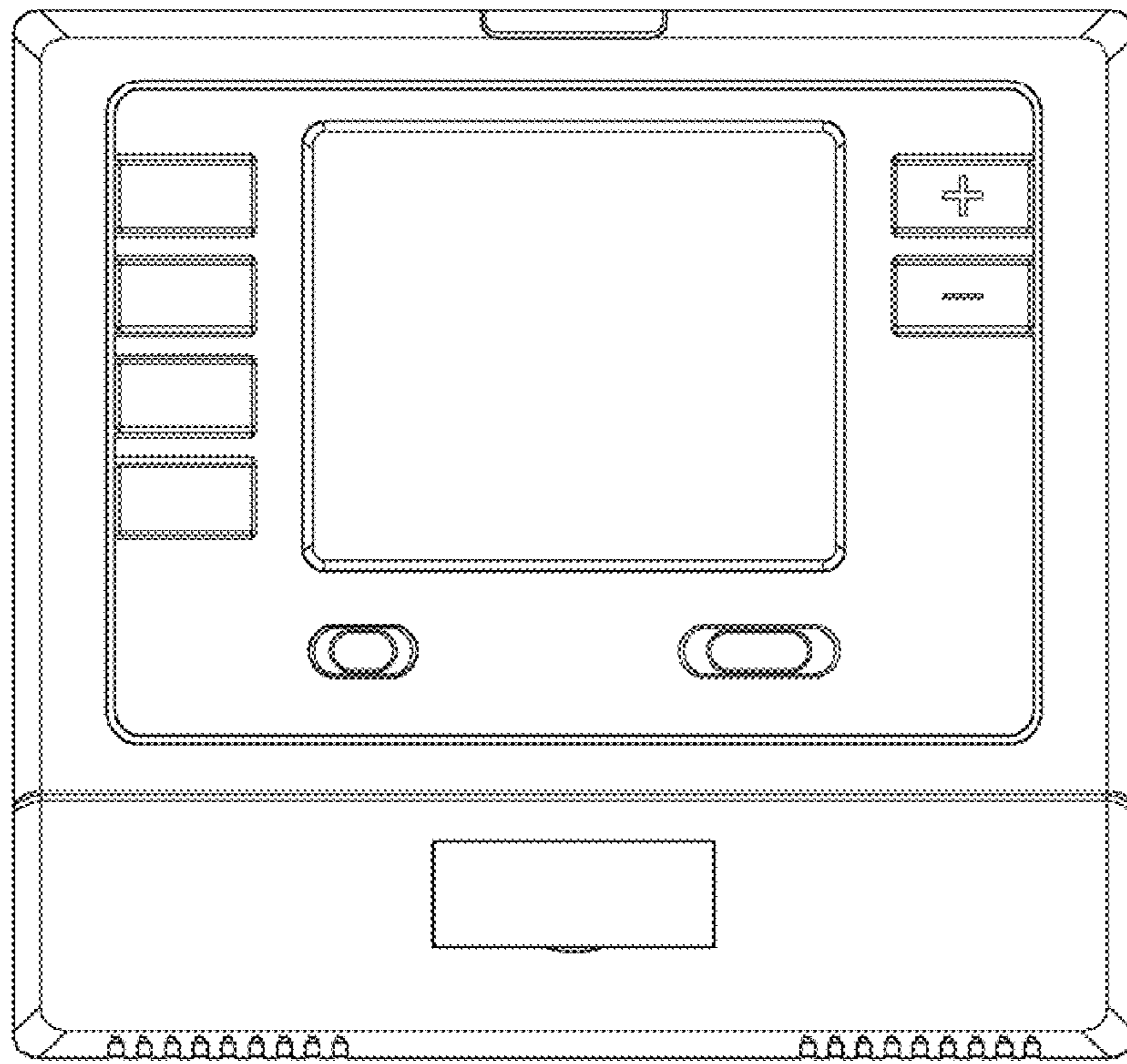


FIG. 6

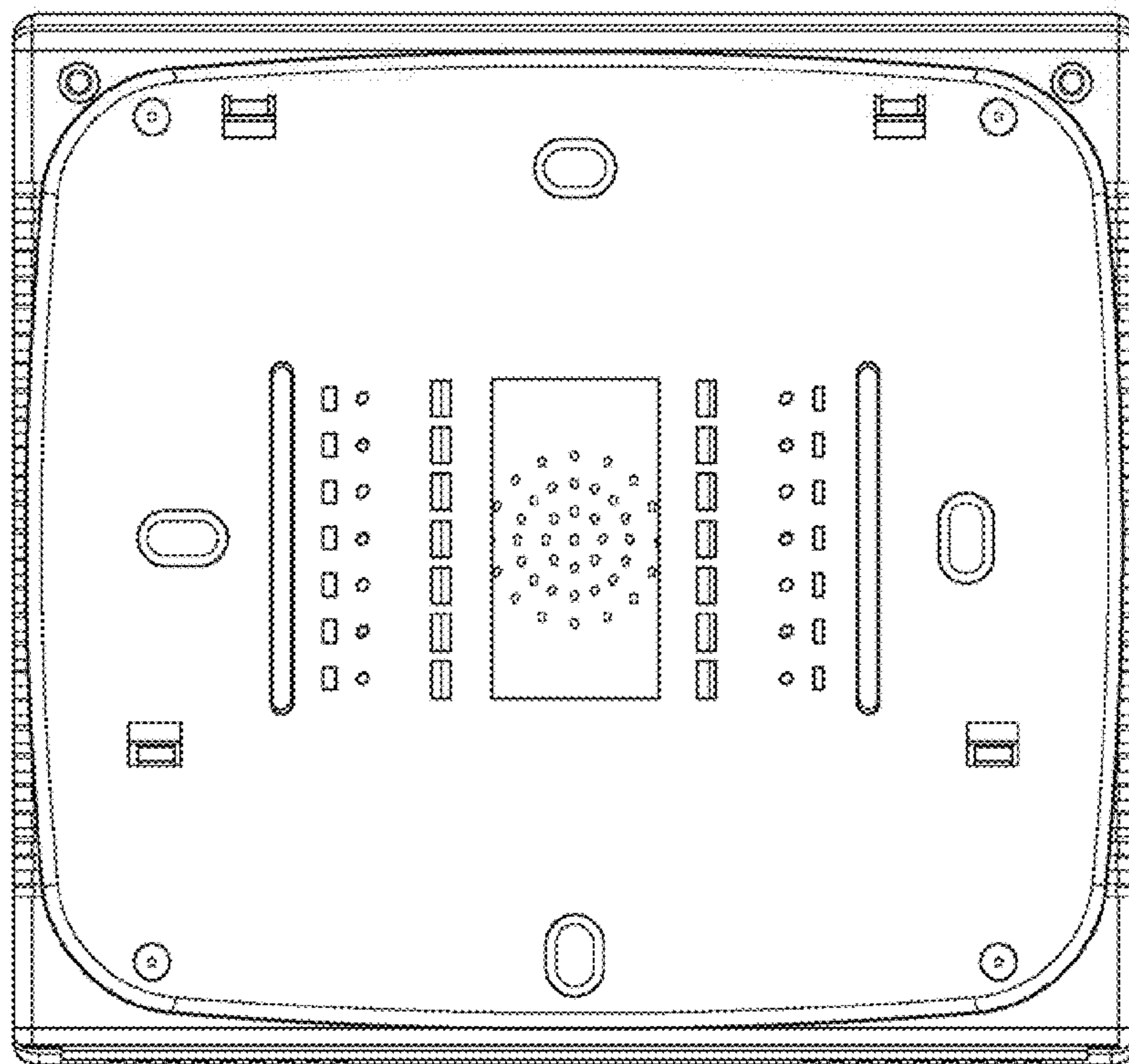


FIG. 7